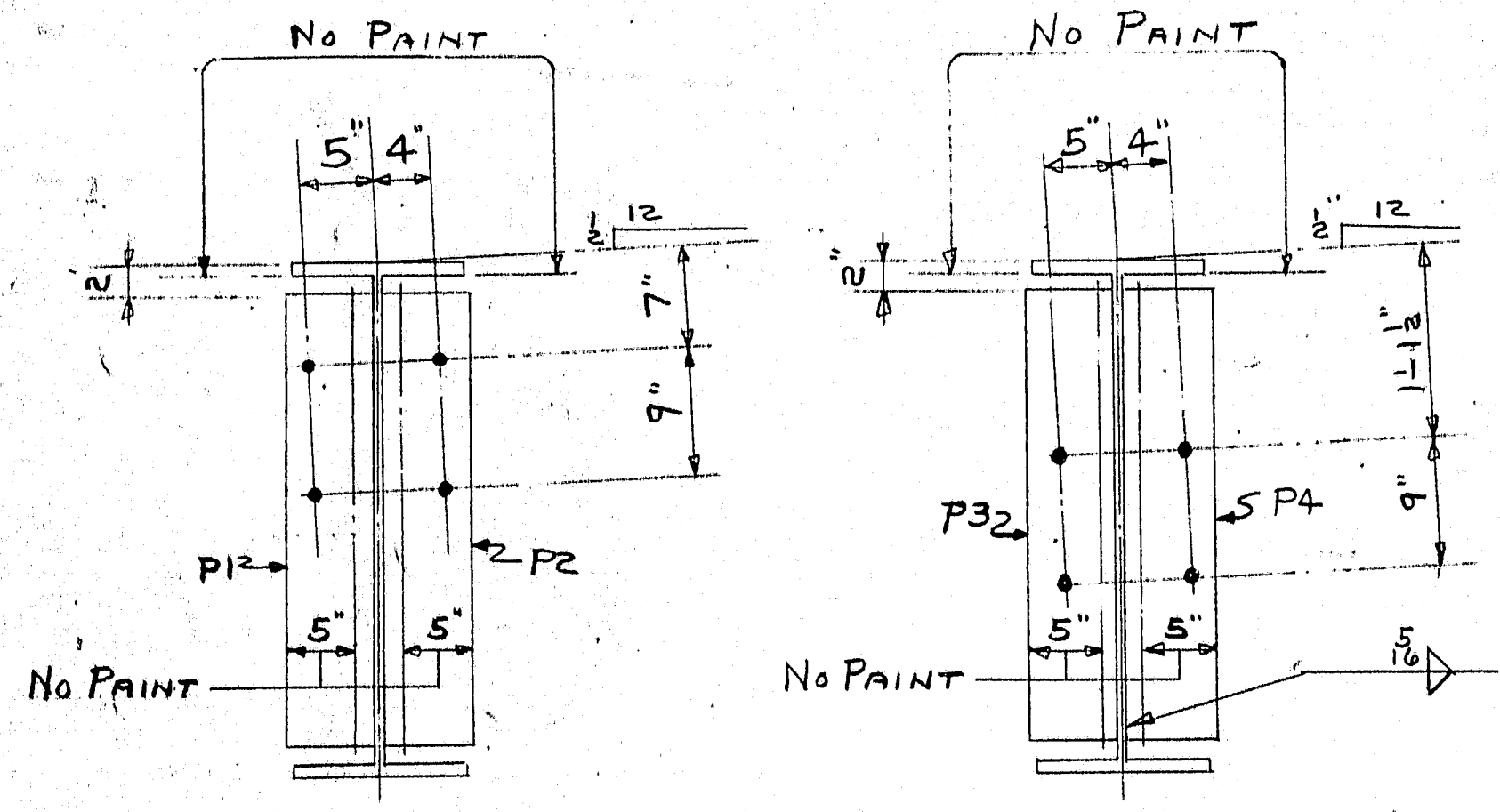


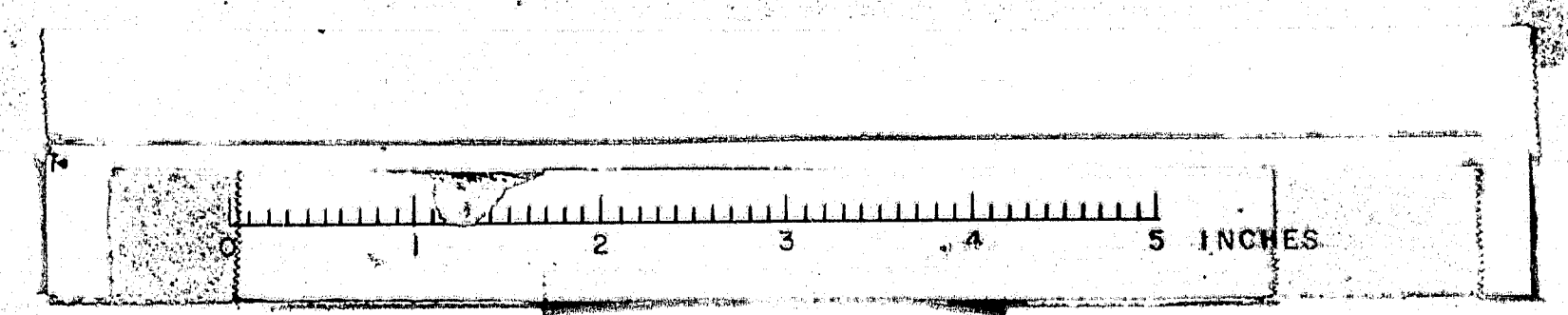
SHIP		BILL OF MATERIAL				DWG. B61-451-S5	
MARK	NO.	MARK	SHAPE	LENGTH	WT.	DEDUCT.	REMARKS
S3A	1		36WF170	69 8			A373
S3B	1		D.	69 3 1/2			D.
S3C	1		D.	69 3 1/2			D.
S3D	1		D.	69 3 1/2			D.
S3E	1		D.	69 8			D.
	5	P5	R-11x1 1/2	49 0		468"	D.
	10	P1	R-6x 3/8	2 8		1 1/2"	A7
	10	P2	D.	2 8		1 1/2"	A7
	6	P3	D.	2 8		1"	A7
	6	P4	D.	2 8		1"	A7
	2170		3/4" STUDS	0 5			SHEAR CONNECTORS
	1		5/16" WELD	666 0			@ .166" PER. FT.
STRUCT. STEEL / s ITEM		702-103					



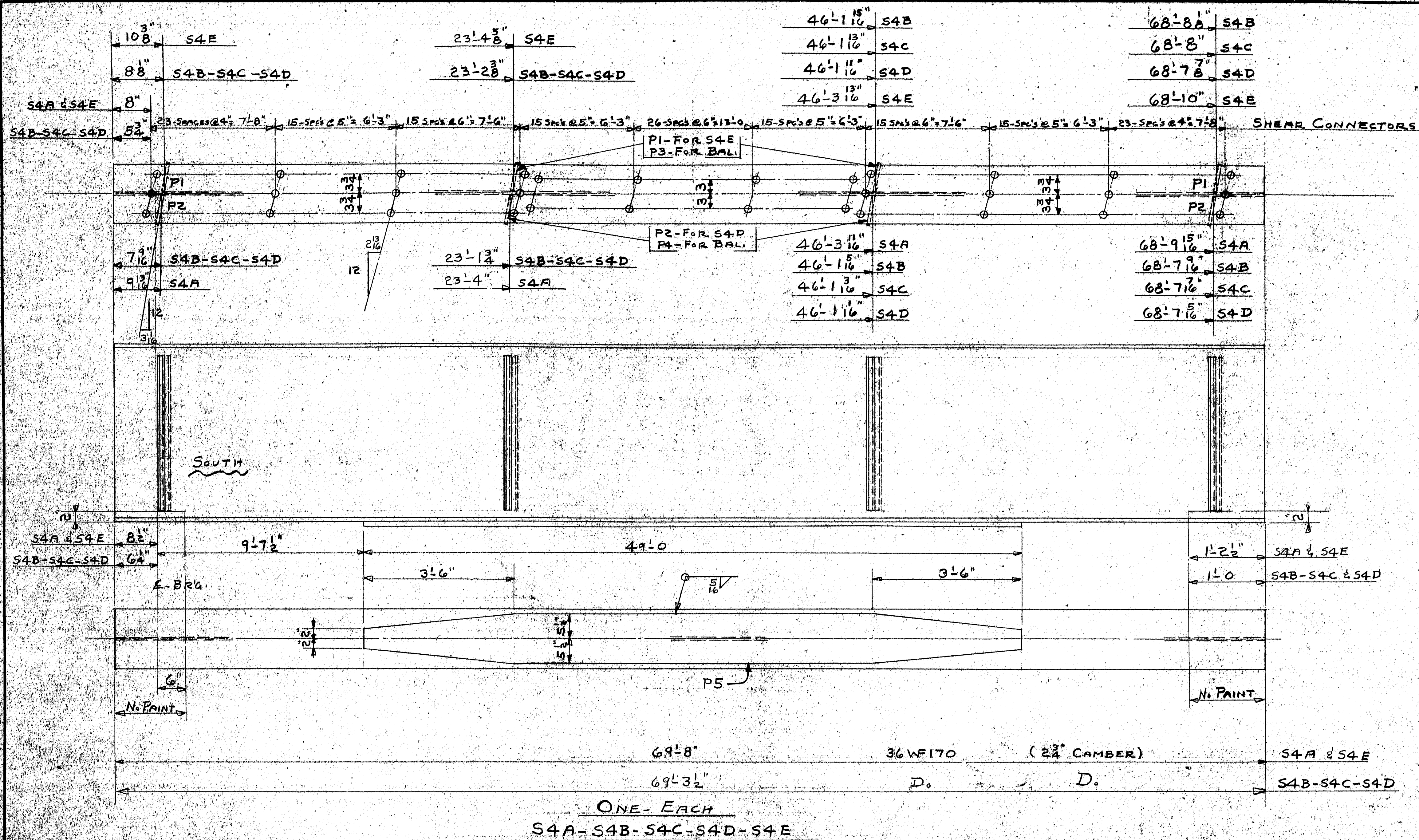
SHOP CONNECTIONS: WELD
 FIELD CONNECTIONS: D.
 HOLES: 1/2" Ø
 PAINT: STATE OF MAINE SPEC'S.

APP'D AS NOTED 7-10-62

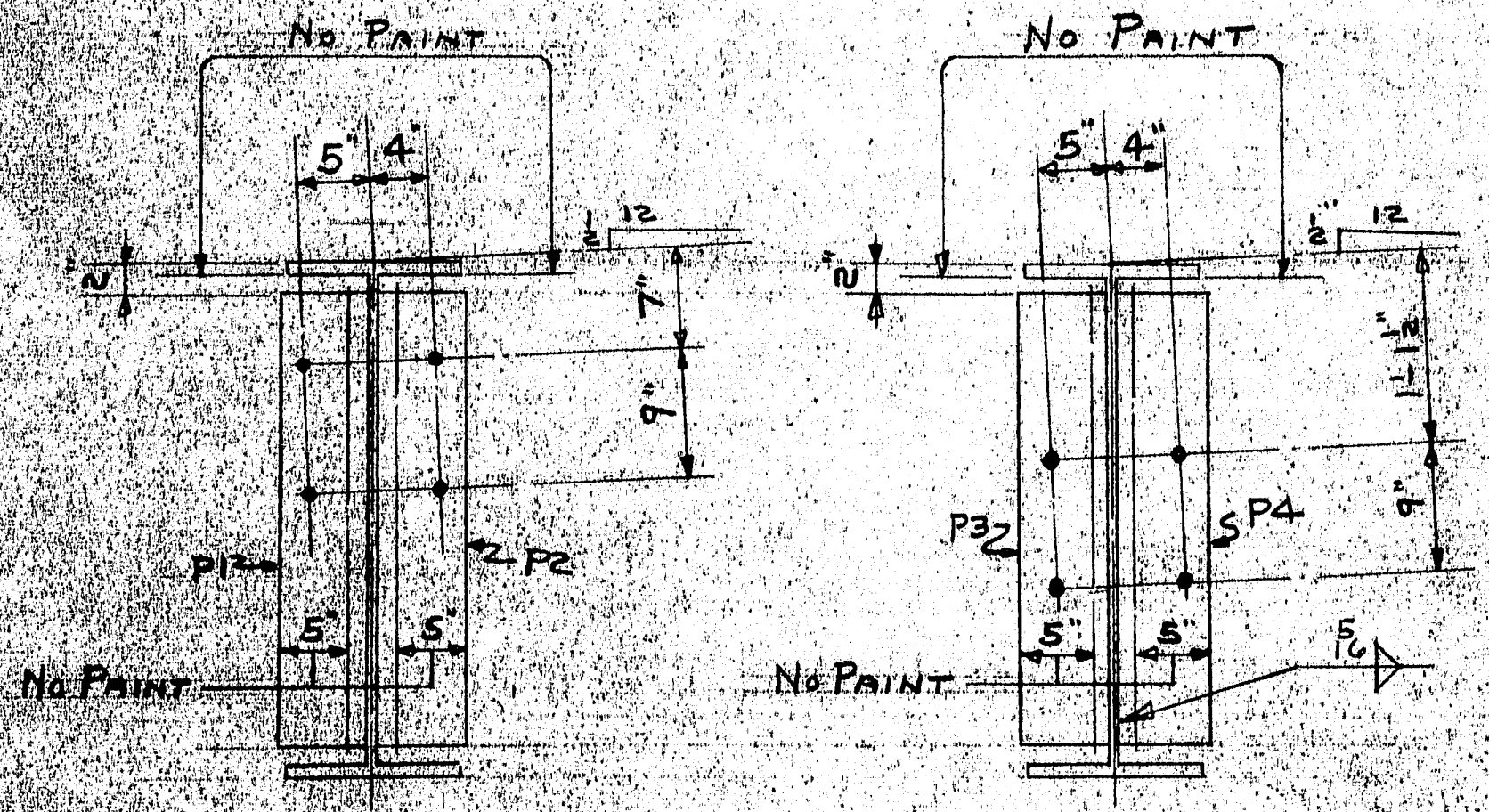
STRINGERS		SPAN No 3	
PRINT	ISSUE	Rancraft & Martin Rolling Mills Company Brewer, Maine	
3	CUST. 7-19-62	COLD BROOK ROAD BRIDGE HAMPDEN-HERMON, MAINE	
5	SHOP 7-19-62	CUSTOMER REED & REED	
2	F/A 6-26-62	DESIGNER STATE HIGHWAY COMMISSION	
DRAWN	6-25-62 D.C.	ORDER	VERBAL DWG. B61-451-S5
REVISION			
REVISION			
REVISION			



87-29F



ONE-EACH
S4A-S4B-S4C-S4D-S4E



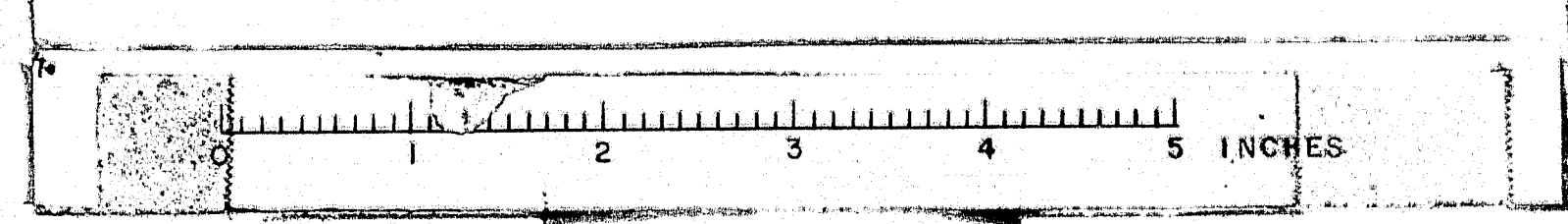
DIAPHRAGM CONN. DTS.

SHIP		BILL OF MATERIAL				DWG. 861-451-56	
MARK	NO.	MARK	SHAPE	LENGTH	WT.	DEDUCT.	REMARKS
S4A	1		36WF170	69' 8"			A373
S4B	1		D.	69' 3 1/2"			D.
S4C	1		D.	69' 3 1/2"			D.
S4D	1		D.	69' 3 1/2"			D.
S4E	1		D.	69' 8"			D.
	5	P5	R-11x1 1/2	49' 0"			468" D.
	10	P1	R-6x 3/8	2' 8"			1 1/2" A7
	10	P2	1" D.	2' 8"			1 1/2" A7
	6	P3	D.	2' 8"			1" A7
	6	P4	D.	2' 8"			1" A7
	2170	3	STUDS	0' 5"			SHEAR CONNECTORS
	1	5/8	WELD	666' 0"			@.166" PER FT.
STRUCT. STEEL IS ITEM 702-103							

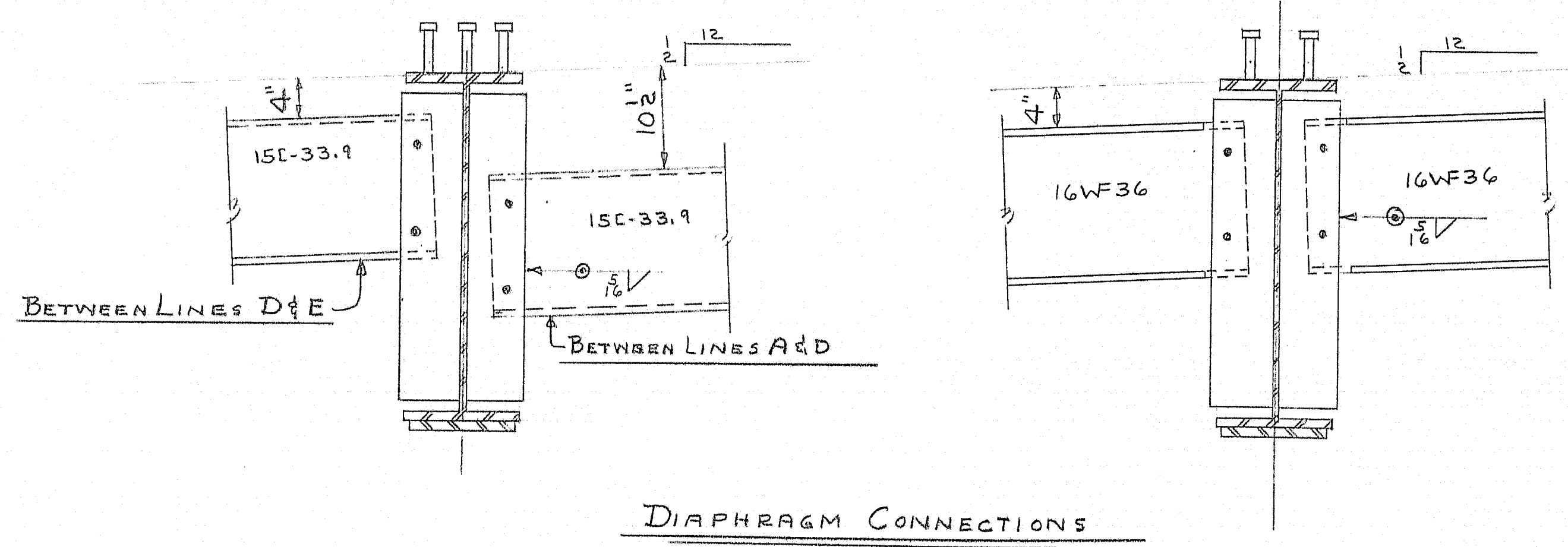
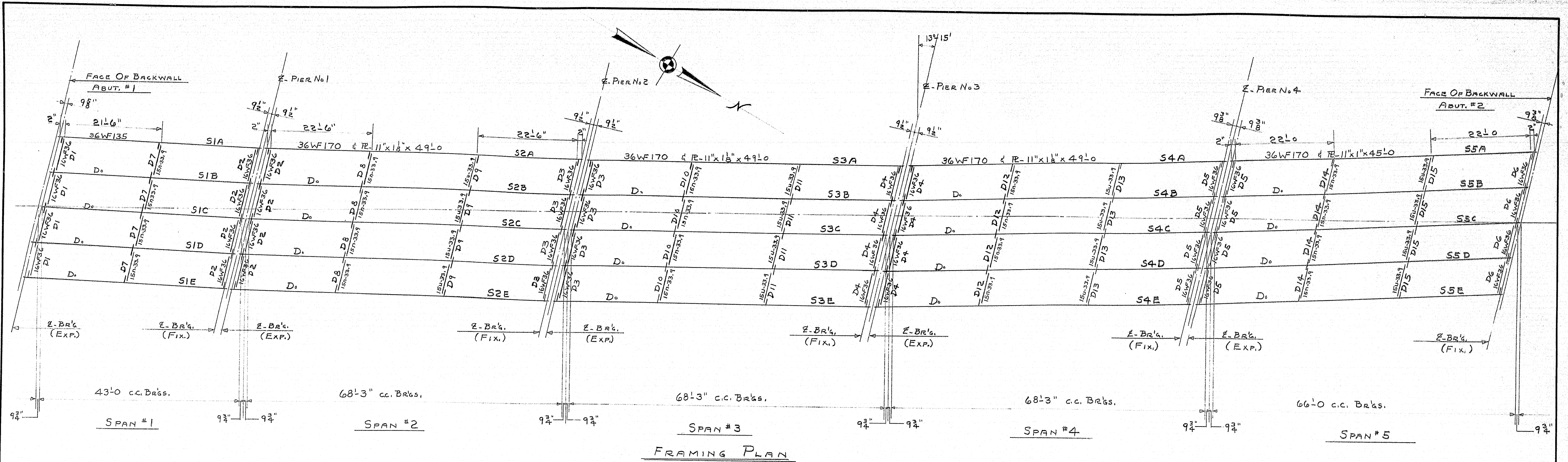
SHOP CONNECTIONS: WELD
FIELD CONNECTIONS: D.
HOLES: 1 5/16" d.
PAINT: STATE OF MAINE SPEC'S.

APP'D. AS NOTED 7-10-62

STRINGERS		SPAN No 4	
PRINT	ISSUE	Bancroft & Martin Rolling Mills Company Brewer, Maine	
3	CUST. 7-19-62	COLD BROOK ROAD BRIDGE	
5	SHOP. 7-19-62	HAMPTON-HERMON, MAINE	
2	F/A. 6-26-62	CUSTOMER REED & REED	
DRAWN	6-25-62 D.C.	DESIGNER STATE HIGHWAY COMM.	
REVISION		ORDER VERBAL	DWG 861-451-56
REVISION			
REVISION			



87-296



SHOP CONNECTIONS: WELD
 FIELD CONNECTIONS: WELD
 HOLES: AS NOTED
 PAINT: STATE OF MAINE SPEC'S.

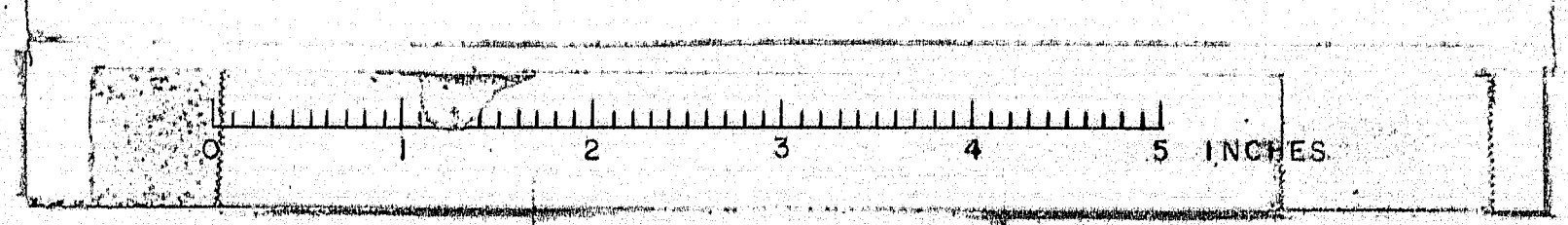
APP'D 7-10-62

FRAMING PLAN	
PRINT ISSUE	
1	SHOP 7-19-62
3	CUST 7-19-62
2	F/A 6-26-62
DRAWN	6-15-62 D.C.
REVISION	
REVISION	
REVISION	
ORDER	VERBAL
DWG.	B61-451-E1

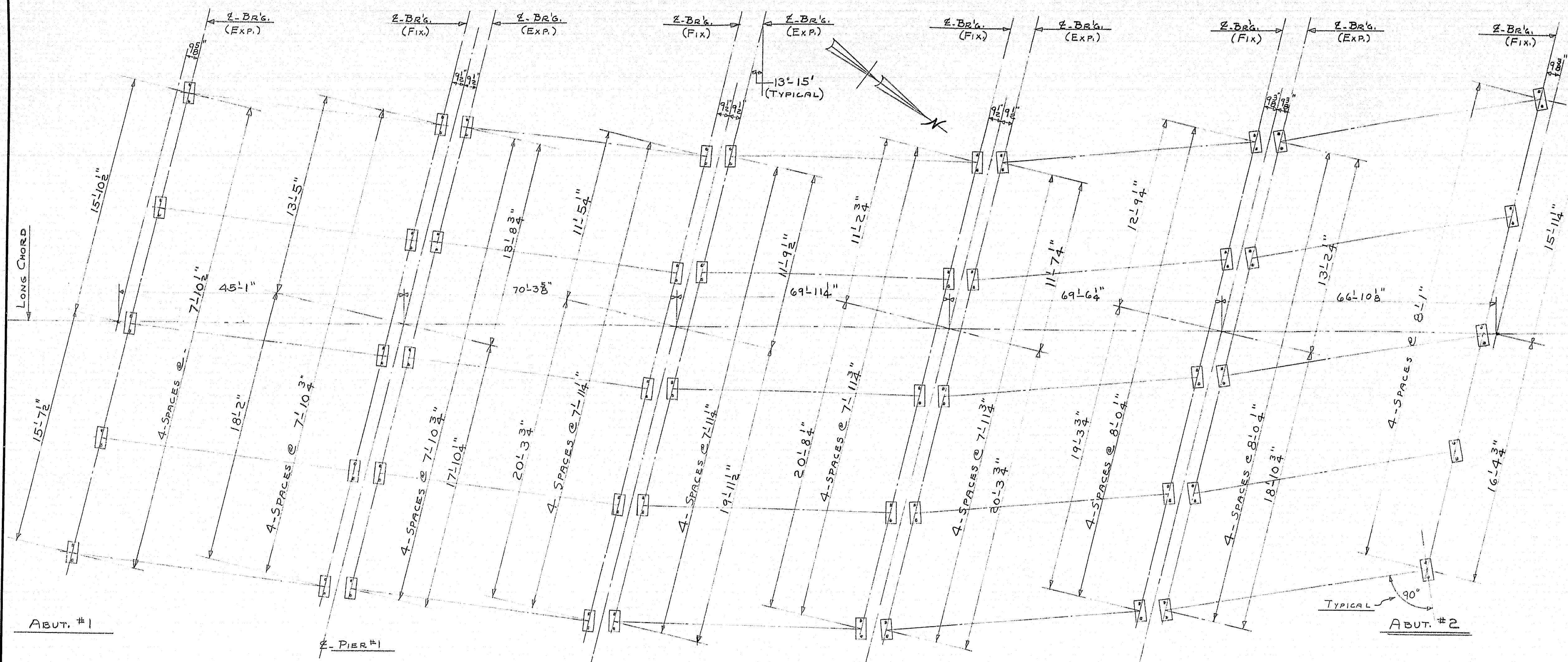
Bancroft & Martin Pottery Mills Company
 Brewer, Maine

COLD BROOK ROAD BRIDGE
 HAMPDEN-HERMON, MAINE

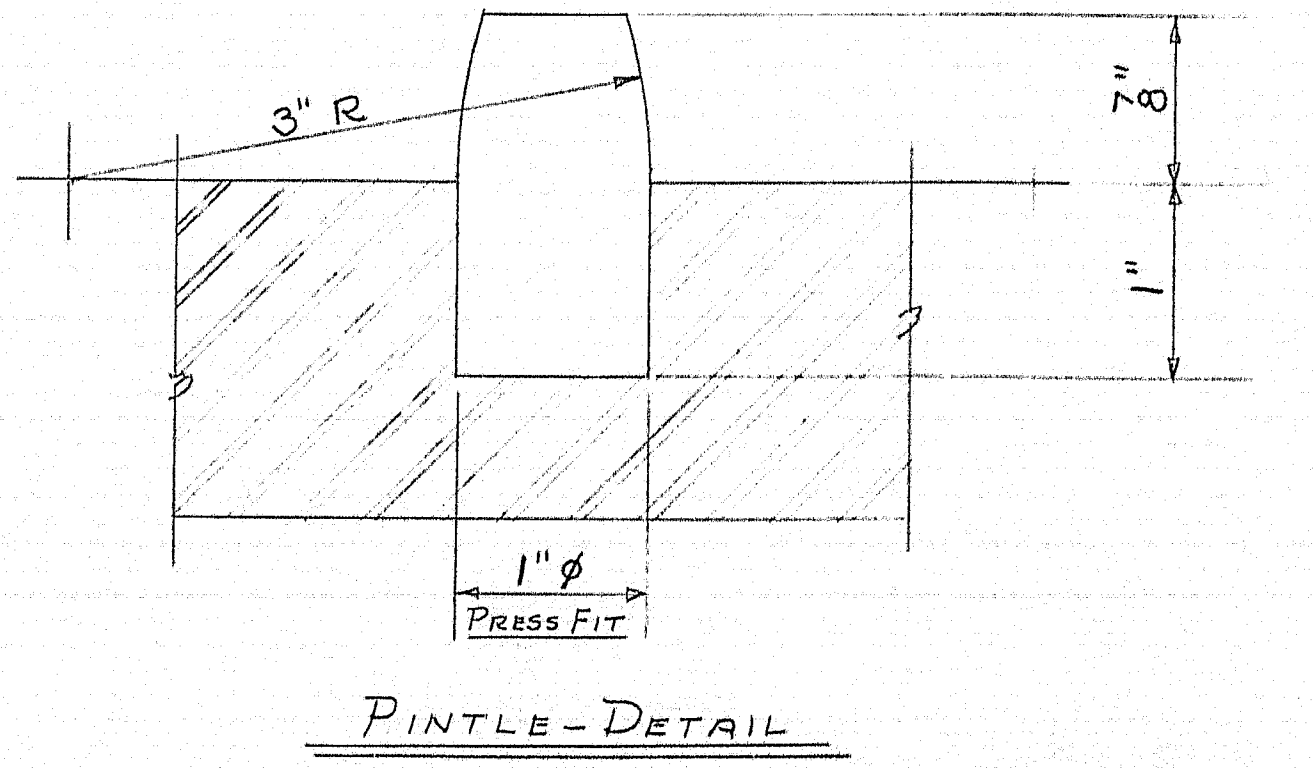
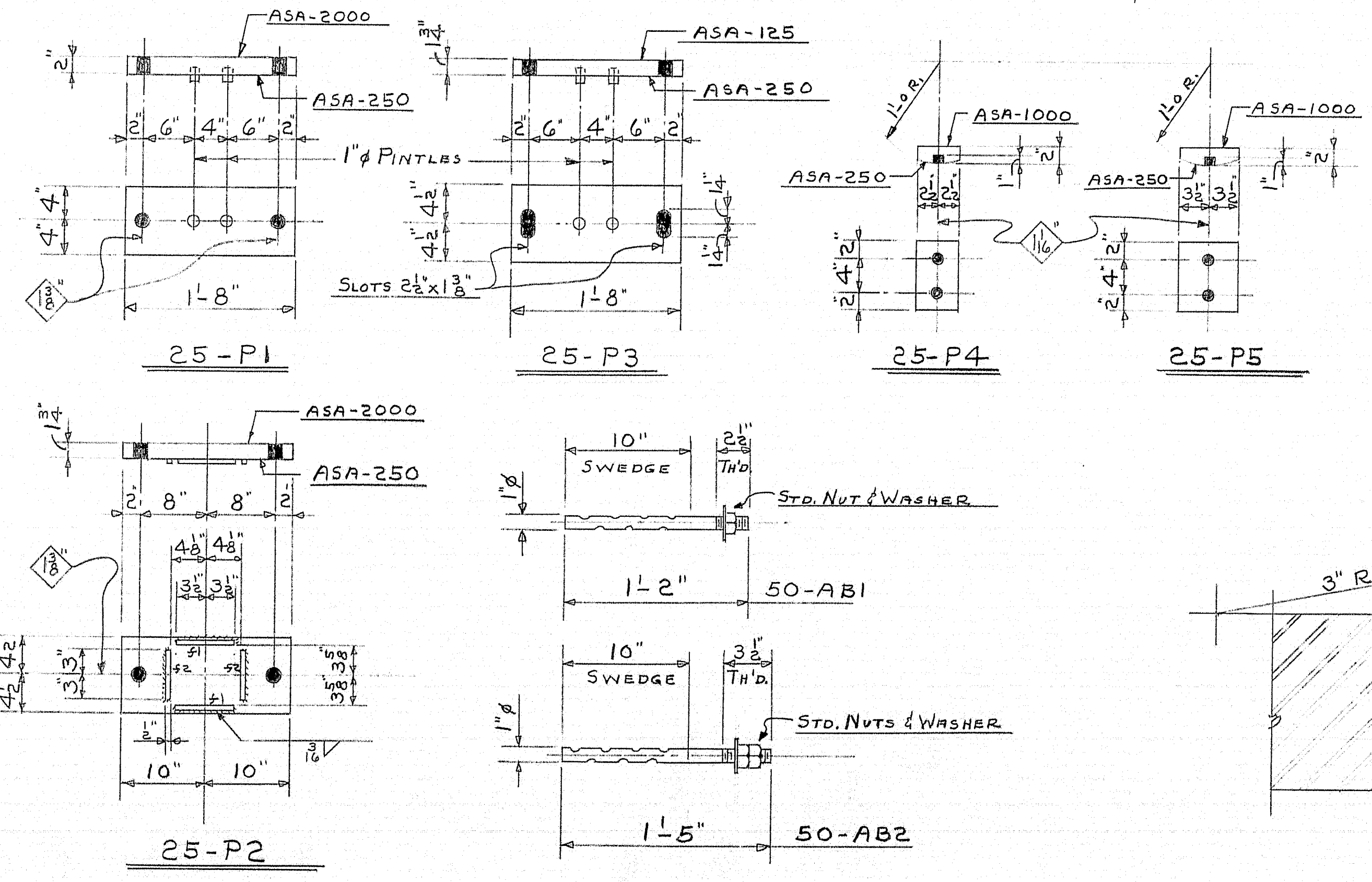
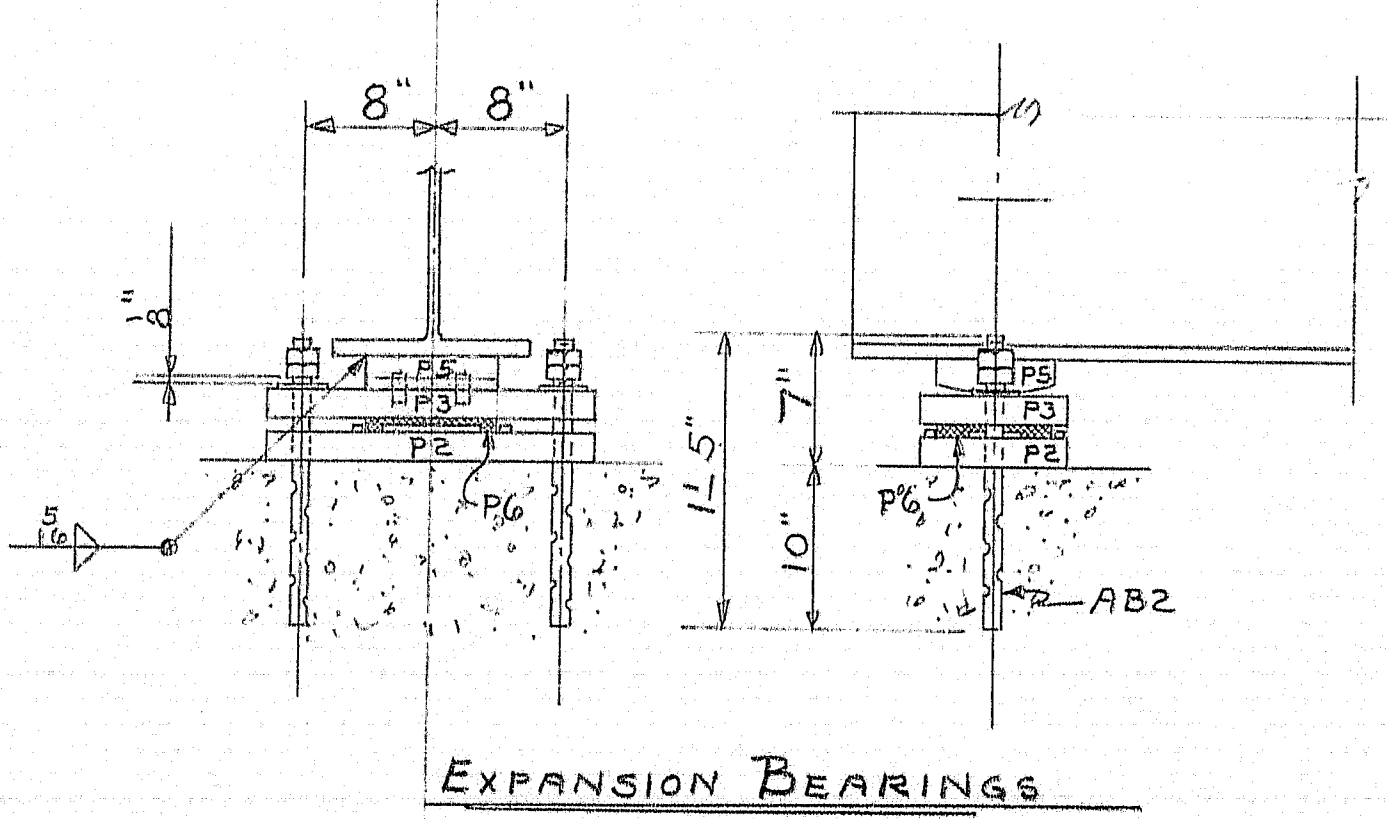
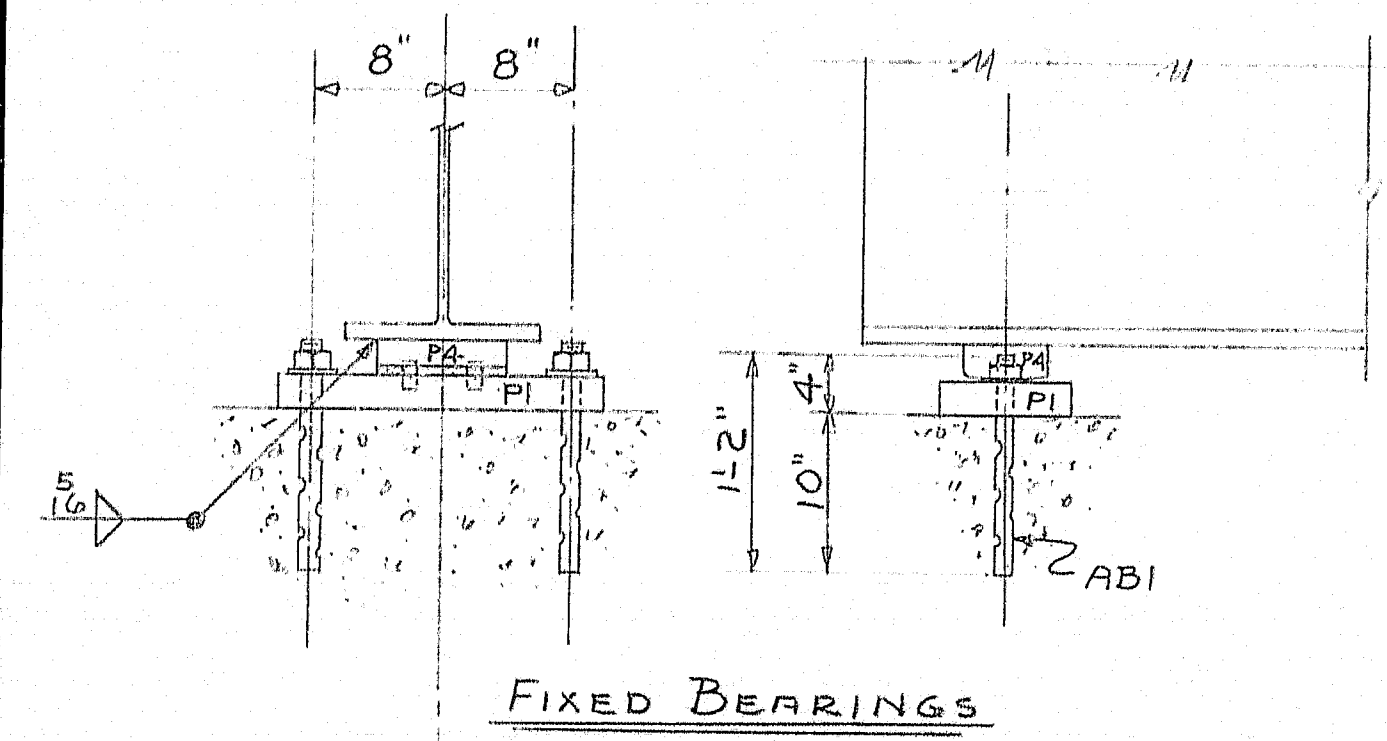
CUSTOMER: REED & REED
 DESIGNER: STATE HIGHWAY COMMISSION



01-29A



BEARING PLATE LOCATION PLAN



SHIP		BILL OF MATERIAL			DWG. B61-451-51	
MARK	NO.	MARK	SHAPE	LENGTH	WT.	REMARKS
P1	25		R-8x2	1	8	
P2	25		R-9x1 1/4	1	8	
P3	25		D0	1	8	
P4	25		R-5x2	0	8	
P5	25		R-7x2	0	8	
	100		1" ROD	0	13	PINTLES
AB1	50		1" ROD	1	2	
AB2	50		D0	1	5	
	150		1" NUTS			
	100		1" WASHERS			
	50	F1	BAR 1/2 x 4	0	7	
	50	F2	D0	0	6	
P6	25		R-7x 1/2	0	8	SELF LUB. BRONZE
ORDERED BY C.F.W. ON REQ. # 670						
STRUCT. STEEL IS ITEM 702-103						

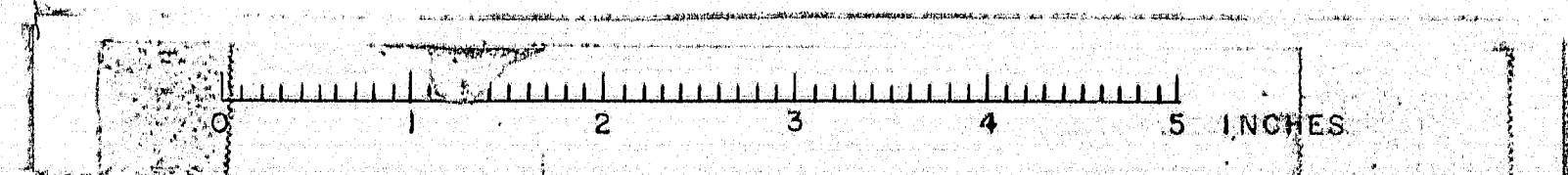
SCALE WT

SHOP CONNECTIONS: WELD
 FIELD CONNECTIONS: WELD
 HOLES: AS NOTED
 PAINT: STATE OF MAINE SPEC'S.

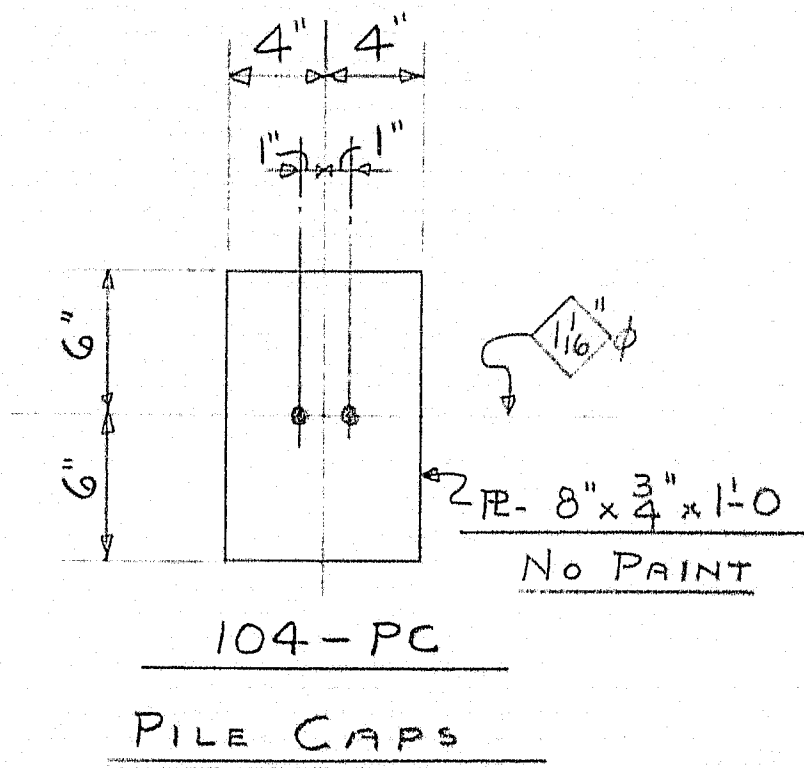
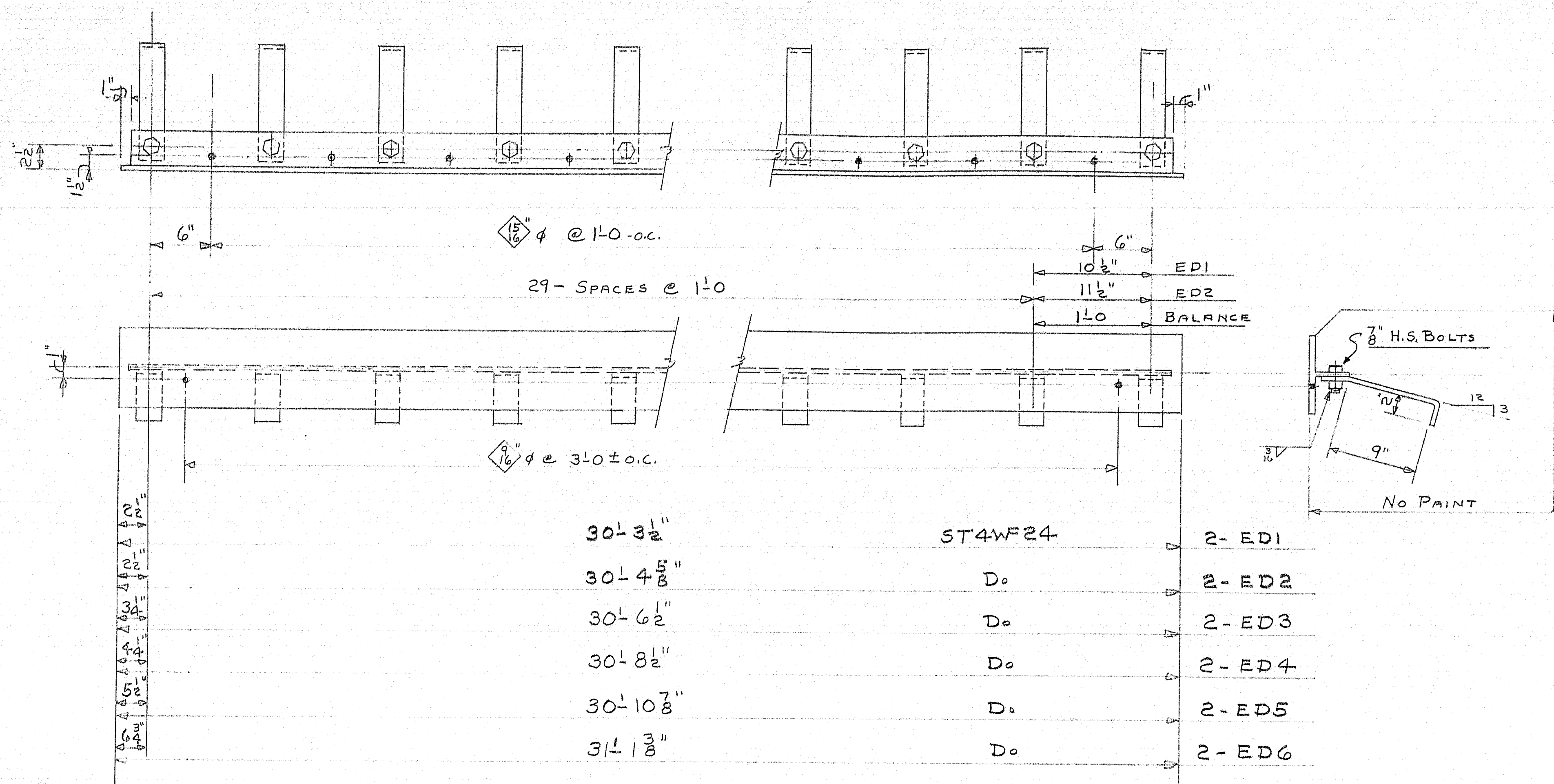
APP'D AS NOTED 6-14-62

BEARING PLATES & ANCHOR BOLTS	
PRINT ISSUE	
	<i>Rancroft & Martin Rolling Mills Company</i>
	Brewer, Maine
3 CUST.	6-22-62
3 CUST.	6-22-62
5 PORT	6-22-62
2 F/A	6-12-62
DRAWN	6-11-62 D.C.
REVISION	
REVISION	
REVISION	

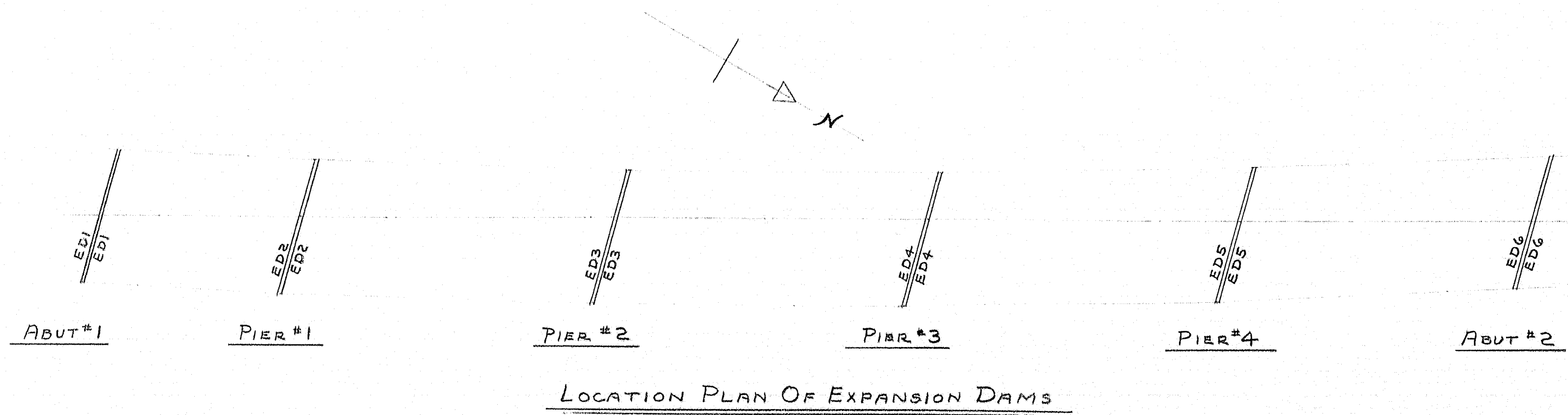
COLD BROOK ROAD BRIDGE
 HAMPDEN-HERMON, MAINE
 CUSTOMER REED & REED
 DESIGNER STATE HIGHWAY COMM.
 ORDER VERBAL DWG. B61-451-51



87-20B



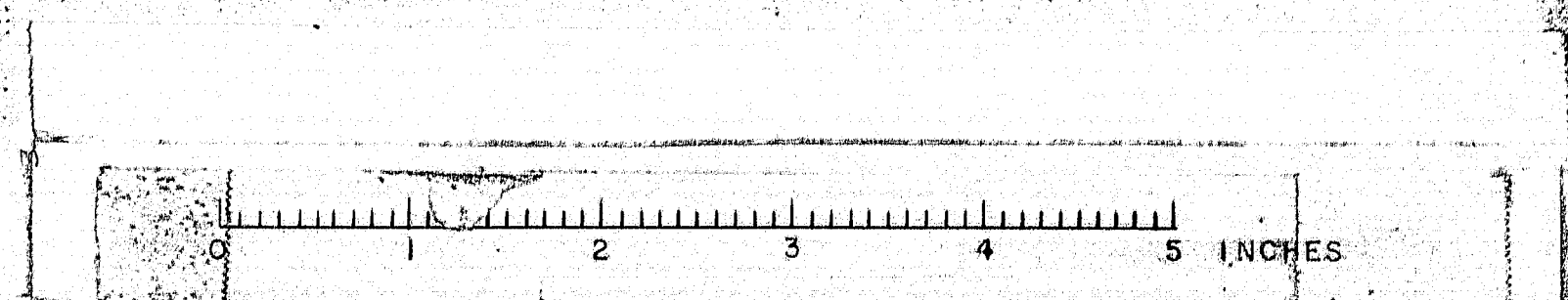
SHIP		BILL OF MATERIAL				DWG. B61-451-52	
MARK	NO.	MARK	SHAPE	LENGTH	WT.	DEDUCT.	REMARKS
ED1	2		ST4WF24	30 3 1/2		7#	
ED2	2		D.	30 4 5/8		7#	
ED3	2		D.	30 6 1/2		7#	
ED4	2		D.	30 8 1/2		7#	
ED5	2		D.	30 10 3/8		7#	
ED6	2		D.	31 1 3/8		7#	
PC	104		R-8 x 3/4	1 0		39#	
	372	f1	BAR22 x 3/8	1 2			
	372	SHOP	7/8 H.S. BOLTS	0 2			@ 36# PER 100
STRUCT. STEEL IS ITEM 702-103							



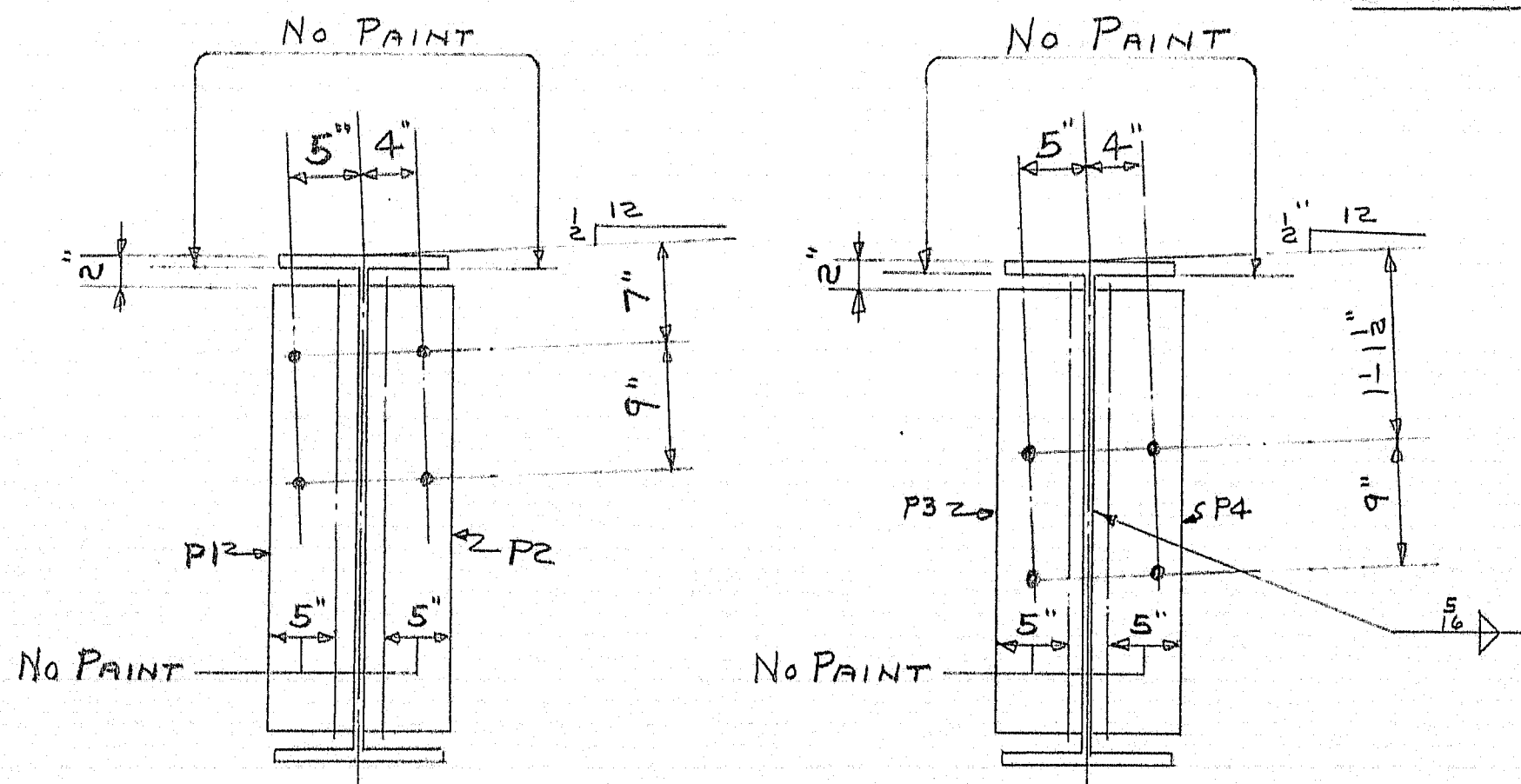
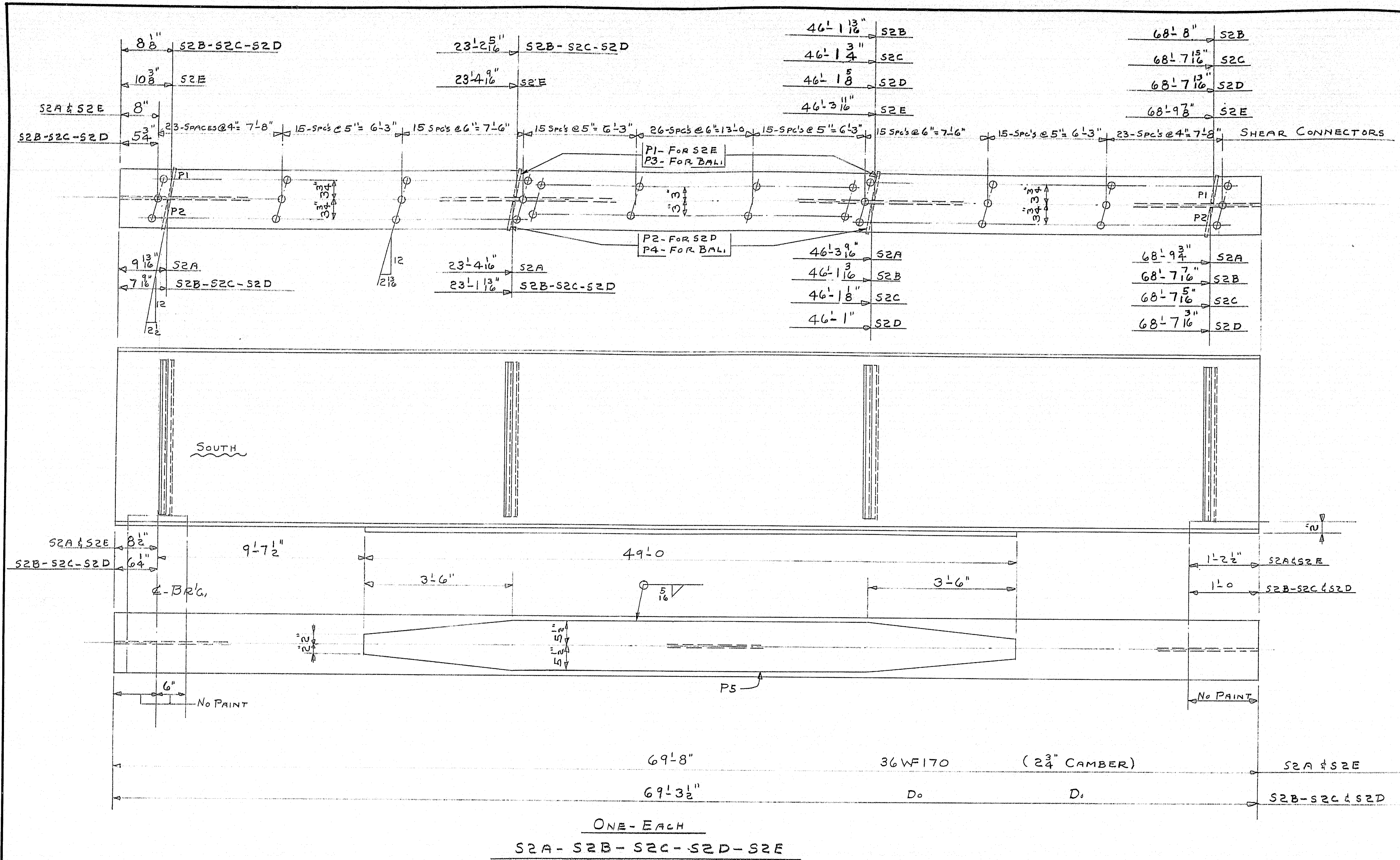
SHOP CONNECTIONS: 7/8" H.S. BOLTS
FIELD CONNECTIONS:
HOLES: AS NOTED
PAINT: STATE OF MAINE SPEC'S.

APP'D AS NOTED 6-14-62

EXPANSION DAMS & PILE CAPS	
PRINT ISSUE	<i>Bancroft & Martin Rolling Mills Company</i> Brewer, Maine
3 CUST 7-6-62	COLD BROOK ROAD BRIDGE
3 CUST 6-22-62	HAMPDEN-HERMON, MAINE
5 SHOP 6-22-62	CUSTOMER REED & REED
2 FIA 6-12-62	DESIGNER STATE HIGHWAY COMM.
DRAWN 6-12-62 D.C.	ORDER VERBAL
REVISION	DWG. B61-451-52
REVISION	
REVISION	



87-29C



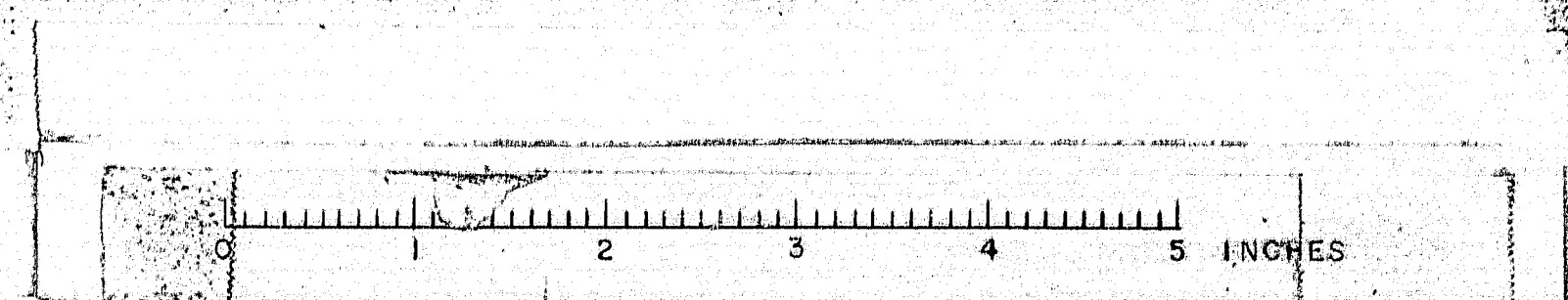
DIAPHRAGM CONN. DTS.

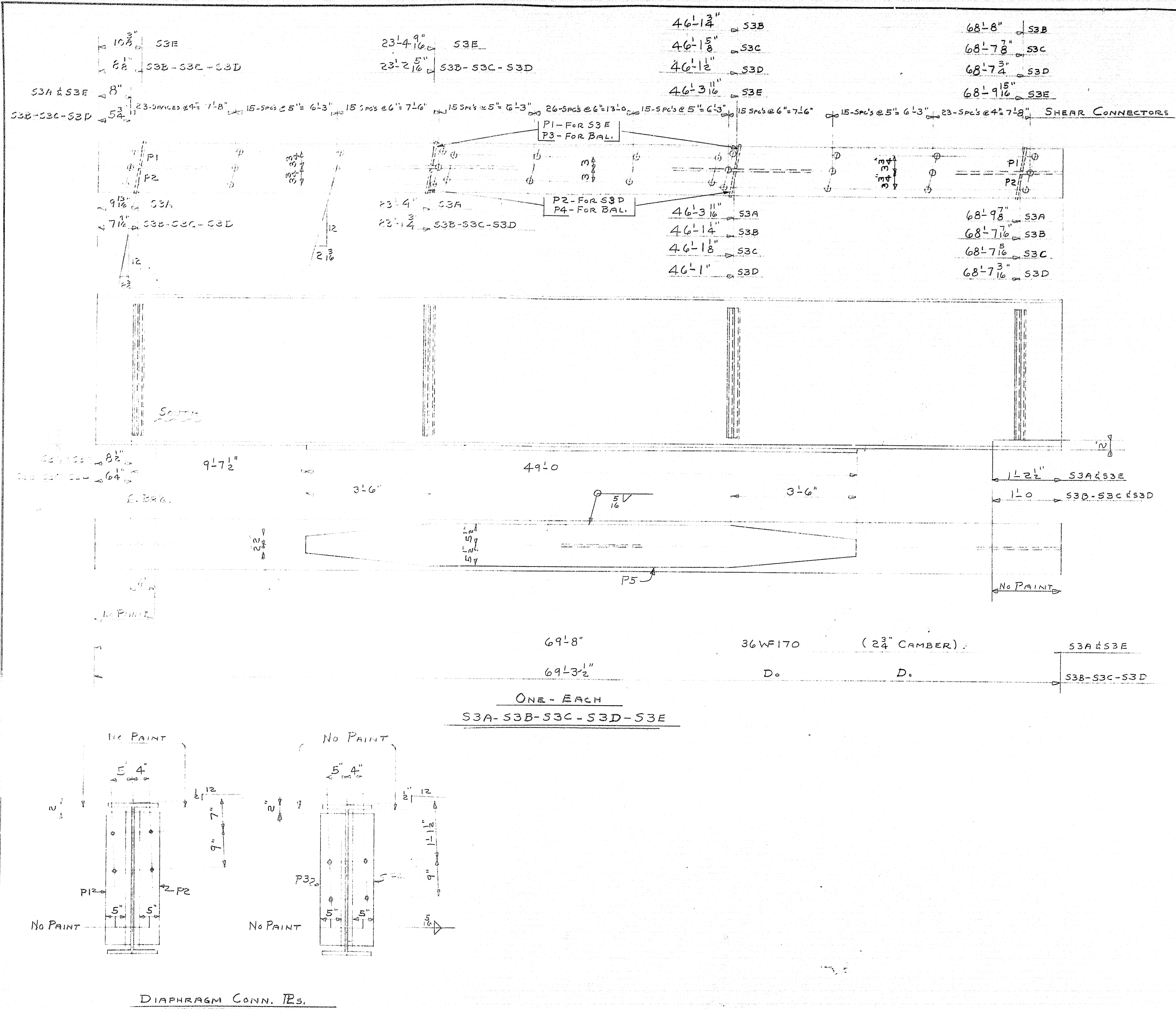
SHIP		BILL OF MATERIAL				DWG. B61-451-54	
MARK	NO.	MARK	SHAPE	LENGTH	WT.	DEDUCT.	REMARKS
S2A	1		36WF170	69'8"			A373
S2B	1		D.	69'3 1/2"			D. 2 3/4" CAMBER
S2C	1		D.	69'3 1/2"			D.
S2D	1		D.	69'3 1/2"			D.
S2E	1		D.	69'8"			D.
	5	P5	R-11x1 1/2	49'0"		468#	D.
	10	P1	R-6x 3/8	2'8"		1 1/2#	A7
	10	P2	D.	2'8"		1 1/2#	A7
	6	P3	D.	2'8"		1#	A7
	6	P4	D.	2'8"		1#	A7
	2170		3" STUDS	0'5"			SHEAR CONNECTORS
	1		3/16" WELD	666'0"			@ .1166# PER. FT.
STRUCT. STEEL IS ITEM 702-103							

SHOP CONNECTIONS: WELD
FIELD CONNECTIONS: WELD
HOLES: 1 5/8" Ø
PAINT: STATE OF MAINE SPEC'S.

APP'D AS NOTED 7-10-62

STRINGERS		SPAN No 2	
PRINT ISSUE			
Bancroft & Martin Rolling Mills Company Brewer, Maine			
3	CUST.	7-19-62	COLD BROOK ROAD BRIDGE HAMPTON-HERMON, MAINE
5	SHOP	7-19-62	
2	F/A	6-26-62	CUSTOMER REED & REED DESIGNER STATE HIGHWAY COMMISSION
DRAWN		6-22-62 D.C.	
REVISION			
REVISION			
REVISION			
ORDER VERBAL		DWG. B61-451-54	

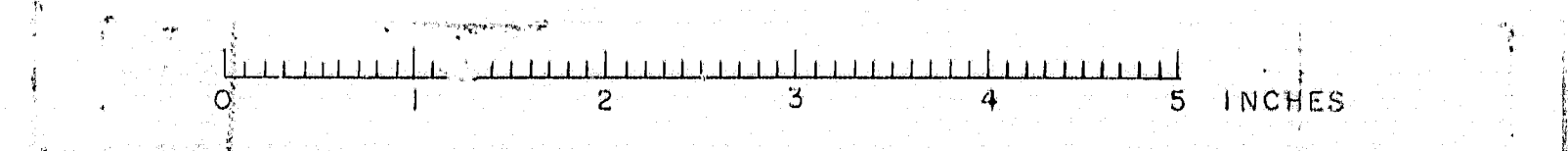




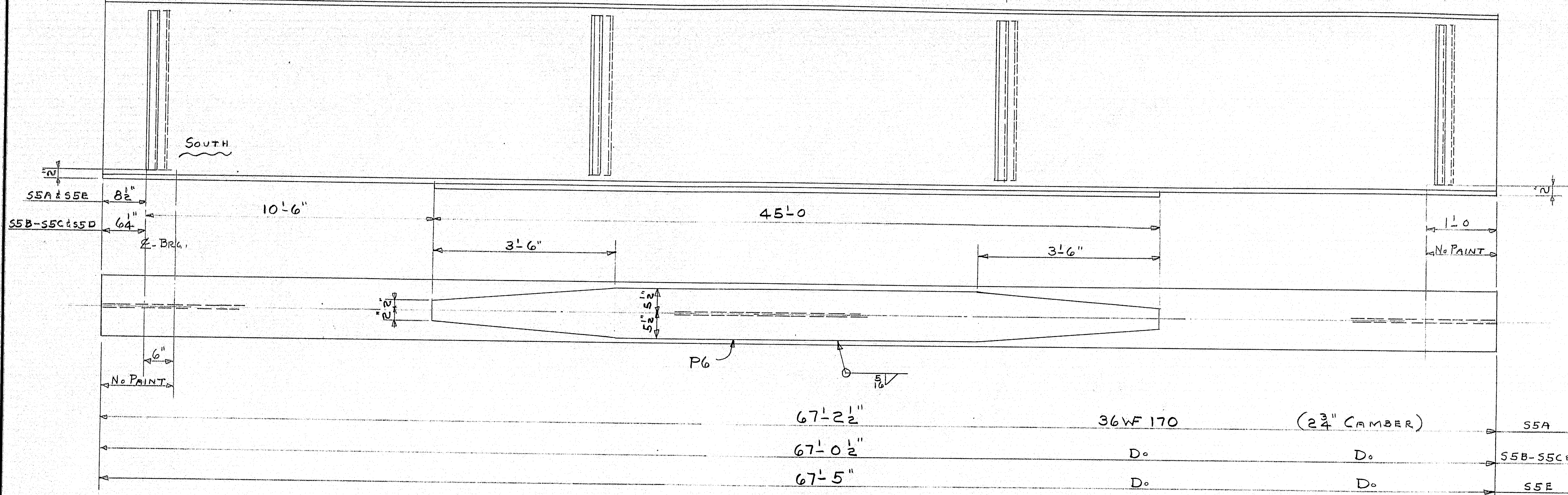
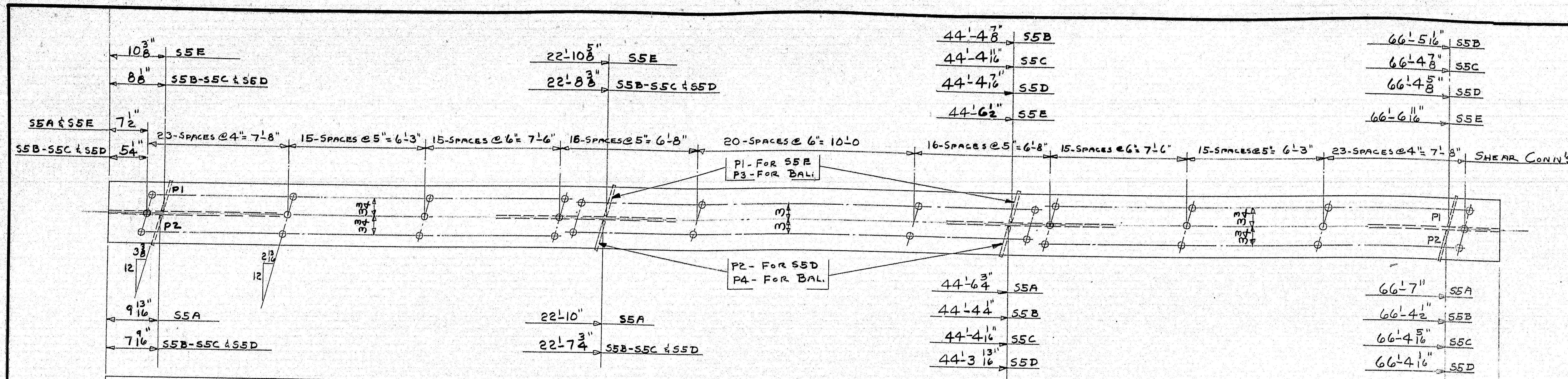
SHIP		BILL OF MATERIAL				DWG. 661-451-55	
MARK	NO.	MARK	SHAPE	LENGTH	WT.	DEPT.	REMARKS
S3A	1		36WF170	69' 8"			A373
S3B	1		D.	69' 3 1/2"			D.
S3C	1		D.	69' 3 1/2"			D. 2 3/4" CAMBER
S3D	1		D.	69' 3 1/2"			D.
S3E	1		D.	69' 8"			D.
	5	P5	R-11x1 1/2	49' 0"		468#	D.
	10	P1	R-6x 3/8	2' 8"		1 1/2"	A7
	10	P2	D.	2' 8"		1 1/2"	A7
	6	P3	D.	2' 8"		1"	A7
	6	P4	D.	2' 8"		1"	A7
	270		3" STUDS	0' 5"			SHEAR CONNECTORS
			5" WELD	366' 0"			@ .166" PER FT.
STRUCT. STEEL / - ITEM		702-103					

SHOP CONNECTIONS: WELD
 FIELD CONNECTIONS: D.
 HOLES: 1/8" Ø
 PAINT: STATE OF MAINE SPECS.

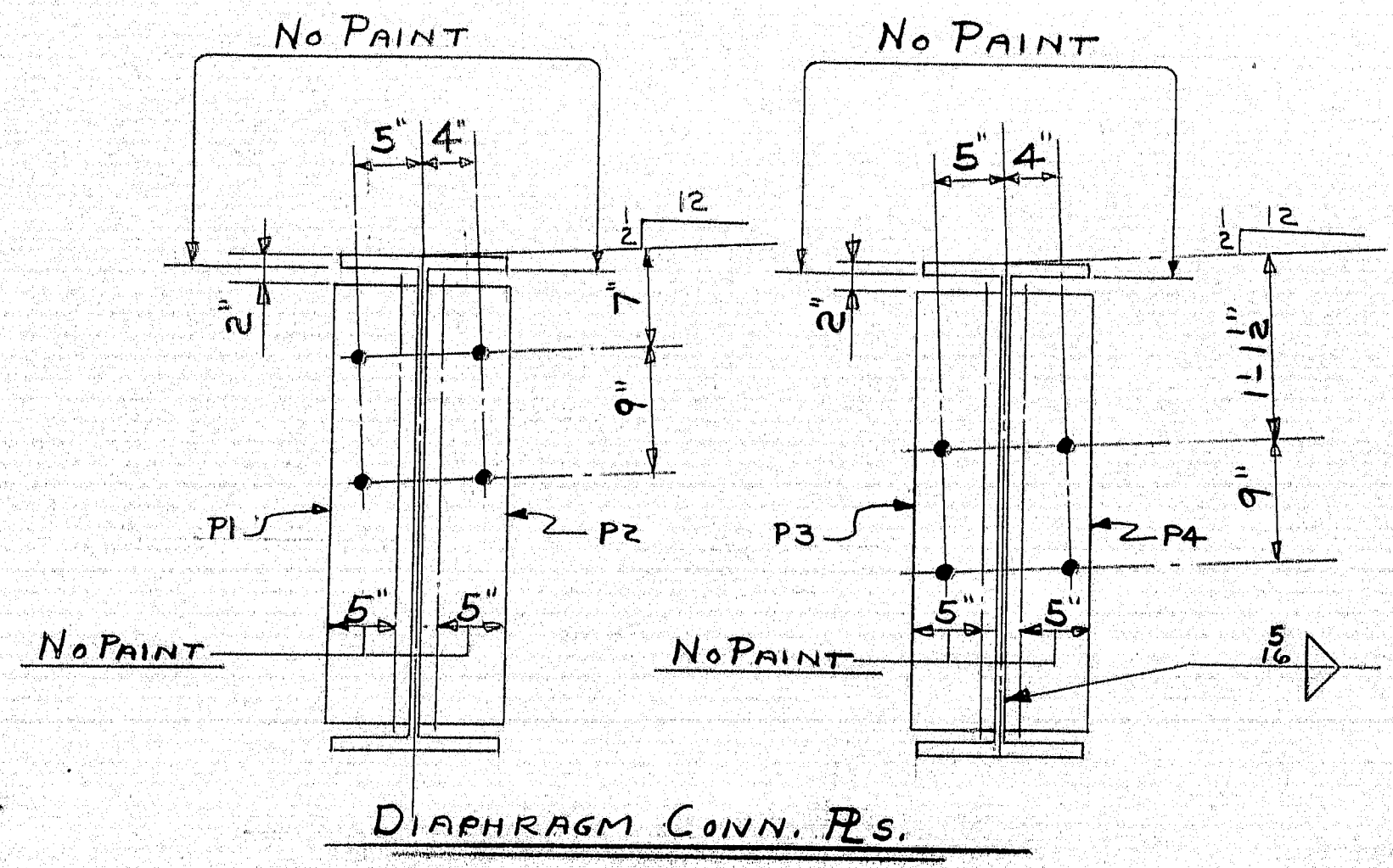
DATE: 6-25-62		SPAN No 3	
DRAWN: 6-25-62 D.C.		Bancroft & Norton Rolling Mills Company Brewer, Maine	
REVISION		COLD BROOK ROAD BRIDGE HAMPTON-HERMAN, MAINE	
REVISION		CUSTOMER: REED & REED DESIGNER: STATE HIGHWAY COMMISSION	
REVISION		ORDER: VERBAL DWG. 661-451-55	



87-29F



ONE - EACH
SSA - SSB - SSC - SSD - SSE

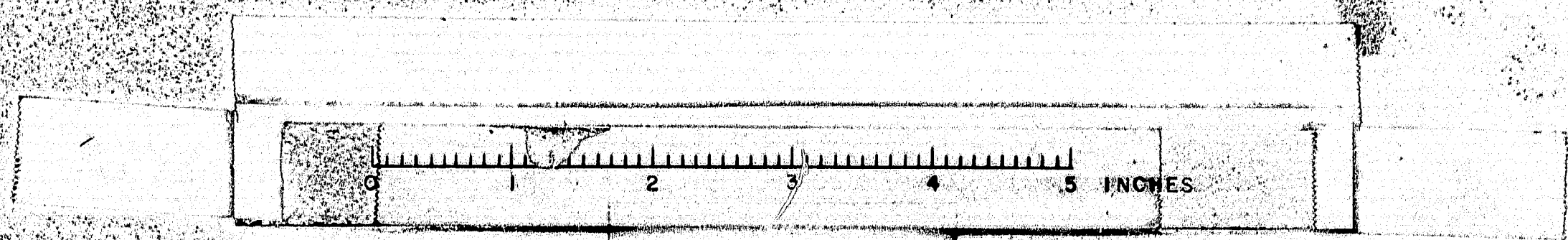


SHOP CONNECTIONS: WELD
FIELD CONNECTIONS: D_o
HOLES: 1 5/16" d
PAINT: STATE OF MAINE SPECS.

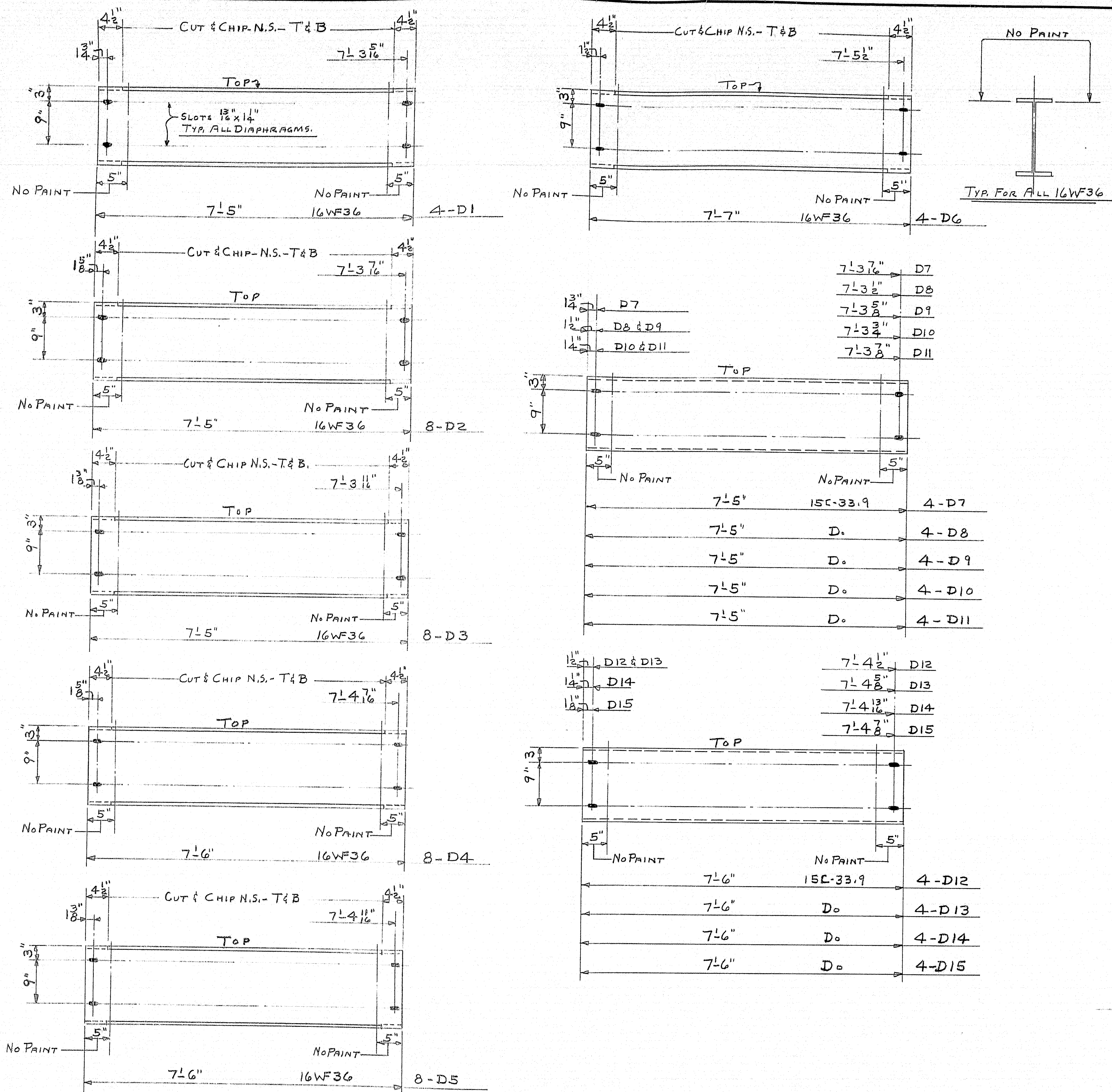
APP'D AS NOTED 7-10-62

STRINGERS		SPAN No 5	
PRINT ISSUE	Rancroft & Martin Rolling Mills Company Brewer, Maine		
3 CUST. 7-19-62	COLD BROOK ROAD BRIDGE HAMPTON-HERMON, MAINE		
5 SHOP 7-19-62	CUSTOMER REED & REED		
2 F/A 6-26-62	DESIGNER STATE HIGHWAY COMM.		
DRAWN 6-25-62 D.C.	ORDER VERBAL	DWG. B61-451-57	
REVISION			
REVISION			

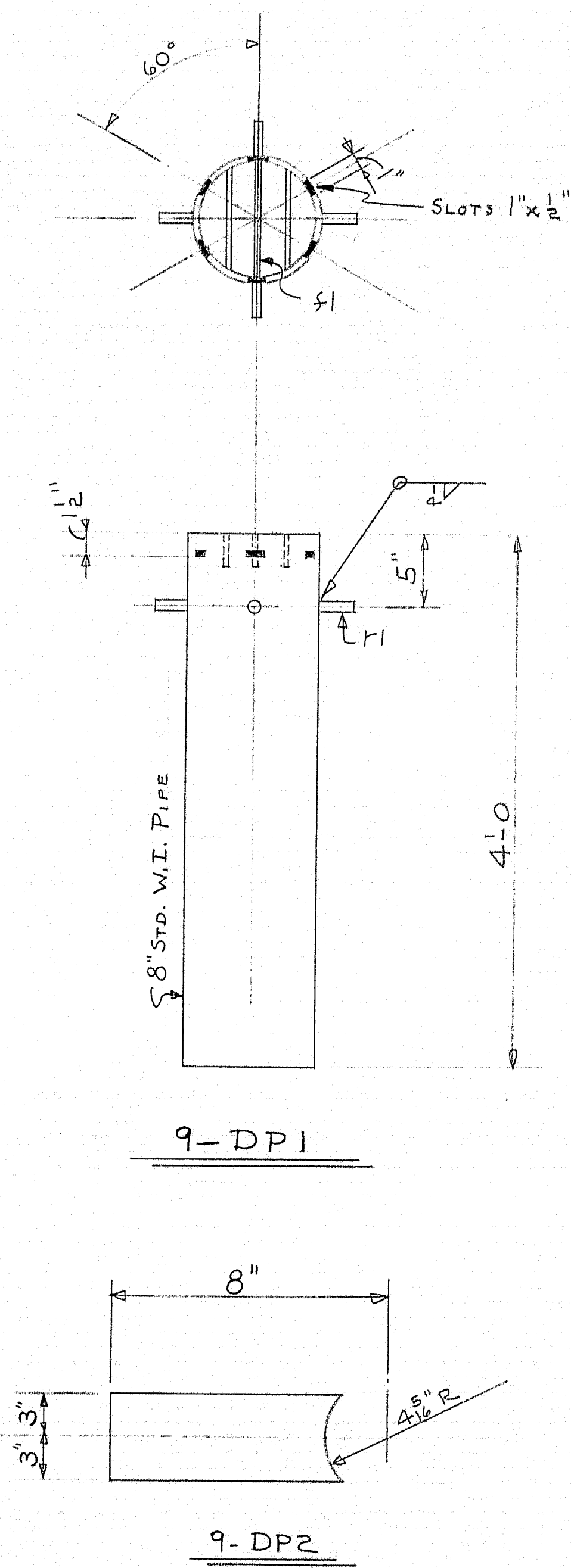
SHIP		BILL OF MATERIAL				DWG. B61-451-57	
MARK	NO.	MARK	SHAPE	LENGTH	WT.	DEDUCT.	REMARKS
SSA	1		36WF170	67' 2 1/2"			A373
SSB	1		D _o	67' 0 1/2"			D _o
SSC	1		D _o	67' 0 1/2"			D _o } 2 3/4" CAMBER
SSD	1		D _o	67' 0 1/2"			D _o
SSE	1		D _o	67' 5"			D _o
	5	P6	R-11x1	45' 0"		417'	D _o
	10	P1	R-6x 3/8	2' 8"		1 1/2"	A7
	10	P2	D _o	2' 8"		1 1/2"	A7
	6	P3	D _o	2' 8"		1"	A7
	6	P4	D _o	2' 8"		1"	A7
	2130	STUD	3/4" d	0' 5"			SHEAR CONNECTORS
	1		5/16" WELD	536' 0"			@ .166# PER. FT.
STRUCT. STEEL IS ITEM 702-103							



07-29 H



SHIP		BILL OF MATERIAL				DWG. B61-451-58	
MARK	NO.	MARK	SHAPE	LENGTH	WT.	DEDUCT.	REMARKS
D1	4		16WF36	7 5		31#	A7
D2	8		D _o	7 5		61#	
D3	8		D _o	7 5		61#	
D4	8		D _o	7 6		61#	
D5	8		D _o	7 6		61#	
D6	4		D _o	7 7		31#	
D7	4		15L-33.9	7 5		2#	
D8	4		D _o	7 5		2#	
D9	4		D _o	7 5		2#	
D10	4		D _o	7 5		2#	
D11	4		D _o	7 5		2#	
D12	4		D _o	7 6		2#	
D13	4		D _o	7 6		2#	
D14	4		D _o	7 6		2#	
D15	4		D _o	7 6		2#	
DP1	9		8 W.I. PIPE	4 0			A72
	27	F1	BAR EX 3	0 8			
	36	F1	*6 RE-BAR	0 3			
DP2	9		RE-6 X 2	0 5			
DP3	9		D _o	0 8			NO FAB
FIELD	320		3/4" M. BOLTS	0 1/2			NOT IN PAY WT.
STRUCT	STEEL IS	ITEM	702-103				



SHOP CONNECTIONS: WELD
 FIELD CONNECTIONS: D_o
 HOLES: 1/16 x 1/4" SLOTS
 PAINT: STATE OF MAINE SPEC'S.

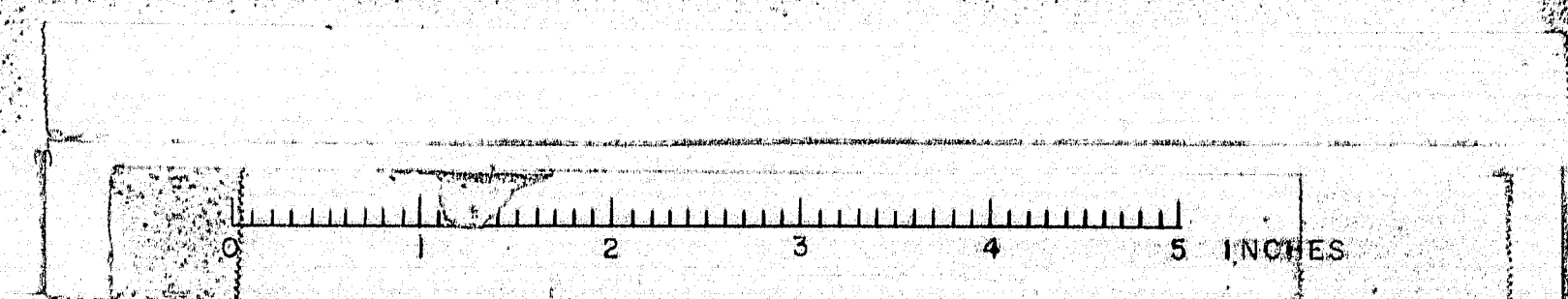
APP'D 7-10-62

DIAPHRAGMS & BRIDGE DRAINS	
PRINT ISSUE	
3	CUST. 7-19-62
5	SHOP 7-19-62
2	F/A 6-26-62
DRAWN	6-26-62 D.C.
REVISION	
REVISION	
REVISION	
ORDER	VERBAL
DWG.	B61-451-58

Bancroft & Martin Rolling Mills Company
 Brewer, Maine

COLD BROOK ROAD BRIDGE
 HAMPDEN-HERMAN, MAINE

CUSTOMER REE & REED
 DESIGNER STATE HIGHWAY COMM.



07-291