

Bridge Number 1430 + 5969

Town Hampden Meas'd. By SBH/FJB

Date 3-23-2006

Bridge Name Emerson Rd under I-95

Route No. \_\_\_\_\_ N.B. \_\_\_\_\_ S.B. \_\_\_\_\_ Region 4

MEASUREMENTS (Ft.-in.) TYPE II

Left (L) 16'-5" Center (C) 16'-11" Right (R) 17'-11"

MEASUREMENTS (Ft.-in.) TYPE \_\_\_\_\_

Left (L) \_\_\_\_\_ Center (C) \_\_\_\_\_ Right (R) \_\_\_\_\_

Width (W), if less than 22' X

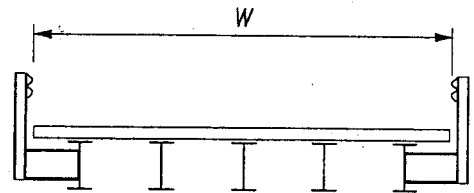
Item 510, Max. vertical clearance on bridge with 10' wide load X

Item 553, Minimum vertical clearance on bridge actual X

Item 610, Max. vertical clearance under bridge with 10' wide load 16'-11"

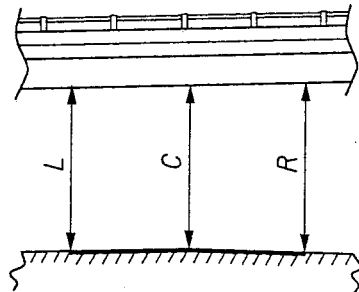
Item 554, Minimum vertical clearance under bridge actual 16'-5"

TYPE 1



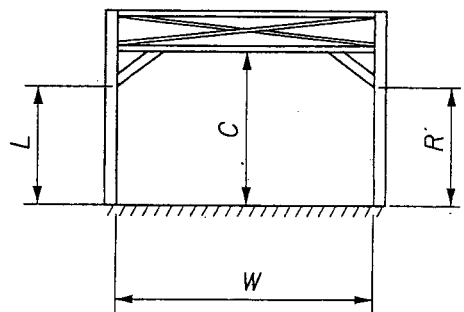
Open Overhead

TYPE 2



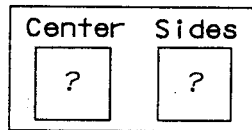
Underpass

TYPE 3



Overhead Truss

EXISTING SIGNS



Dim. ? \_\_\_\_\_ Center \_\_\_\_\_, Sides \_\_\_\_\_

Direction \_\_\_\_\_ Direction \_\_\_\_\_

Dim. ? \_\_\_\_\_ Center \_\_\_\_\_, Sides \_\_\_\_\_

Direction \_\_\_\_\_ Direction \_\_\_\_\_

COMMENTS

\_\_\_\_\_  
 \_\_\_\_\_  
 \_\_\_\_\_