

~ ELEVATION ~

NOTES:



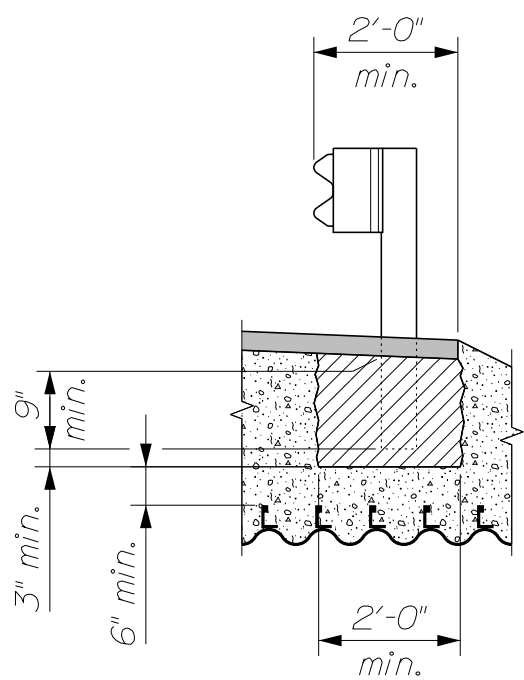
1. This detail is not MASH compliant. Its use must be approved by the Assistant Program Manager for Design.

2. Guardrail posts interfering with a buried structure shall be cut to length in the field and cast into a concrete base as shown. The concrete may be placed directly into a trench excavated in the subbase material. The concrete mix shall be Class "A". Payment will be considered incidental to the guardrail pay items.

3. Only galvanized steel posts are to be used for this application.

4. The guardrail beam shall be doubled at least one space beyond the limits of the cut posts. Any extra beam length shall be installed toward the leading end of the guardrail. Payment will be considered incidental to the guardrail pay items.

5. Payment for any hand work required to place pavement in this area will be considered incidental to the paving items.



~ GUARDRAIL SECTION ~

GUARDRAIL TREATMENT OVER BURIED STRUCTURES