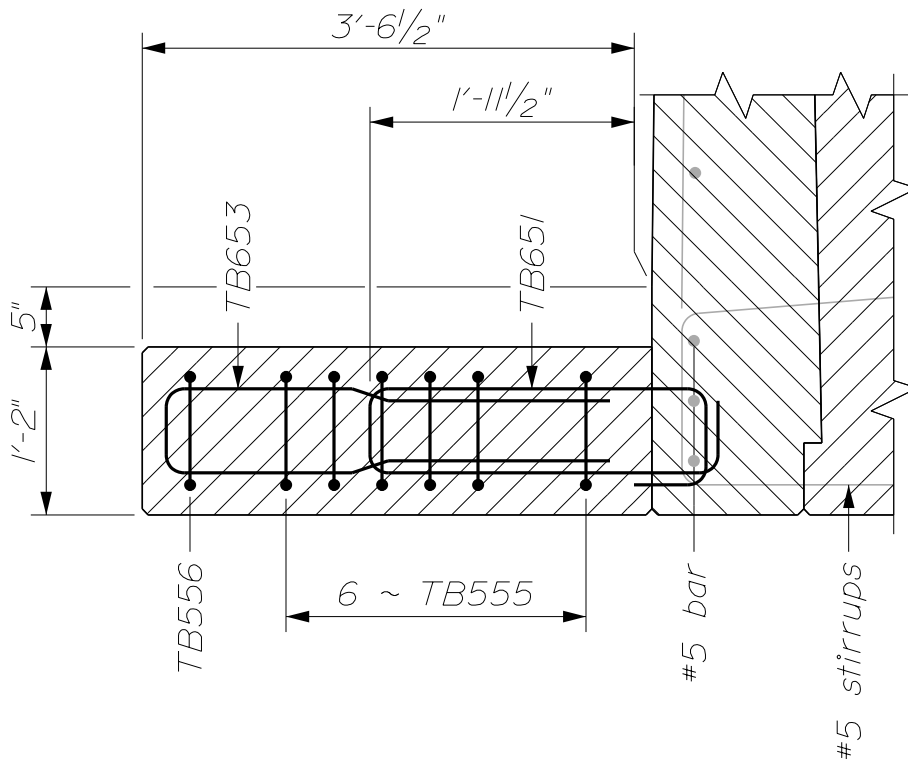


~ SECTION THRU STEM ~  
 4 - Bar Traffic & Pedestrian Railing



~ SECTION THRU RECESS ~  
 4 - Bar Traffic & Pedestrian Railing

CONCRETE TRANSITION BARRIER  
 Supersedes 526(35)