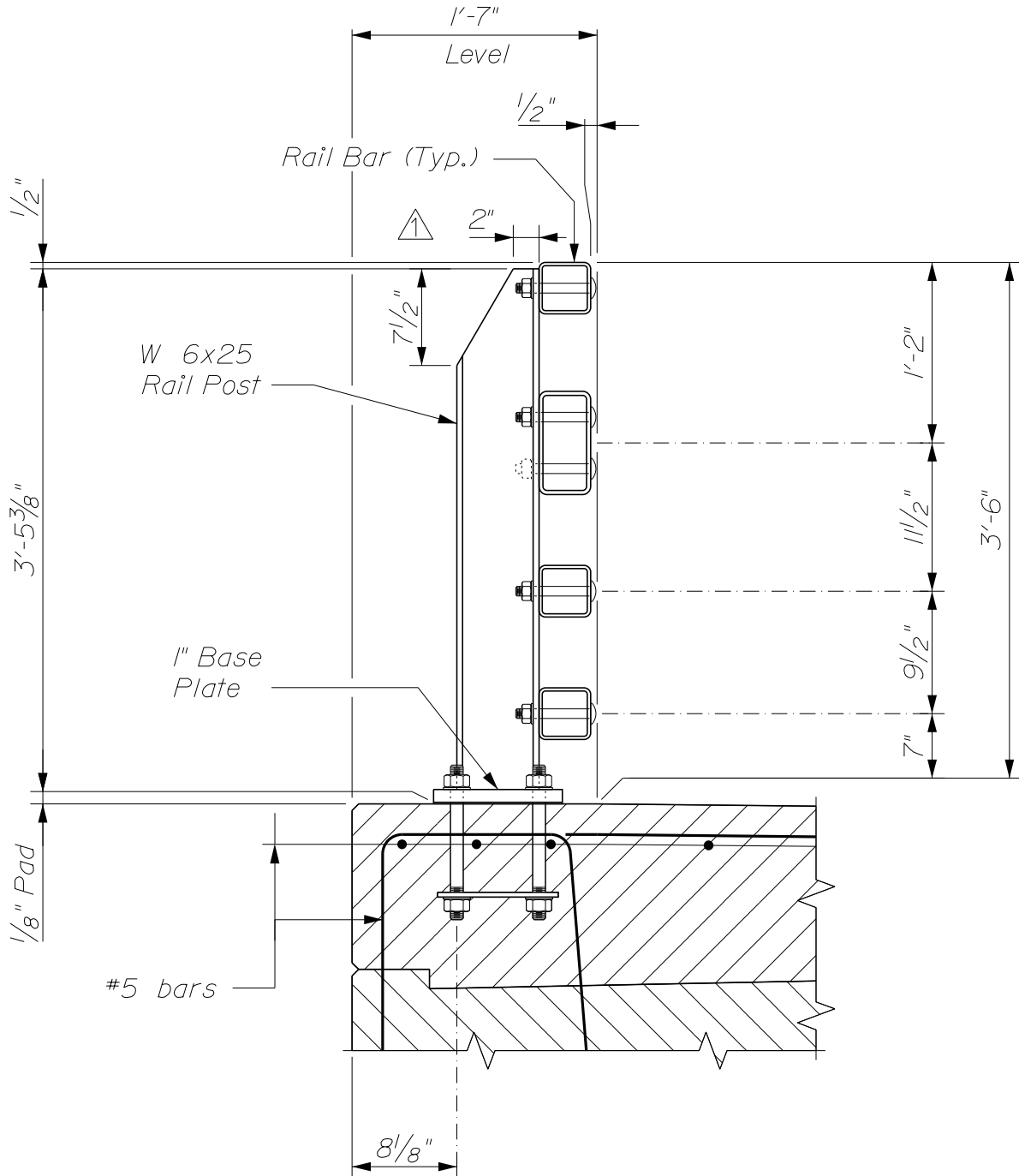


- Rail Bars:
 △ HSS 8x4x $\frac{5}{16}$ (1)
 HSS 4x4x $\frac{1}{4}$ (3)



~ TYPICAL RAILING SECTION ~
 (4 - Bar Traffic / Pedestrian Railing)

STEEL BRIDGE RAILING
 Supersedes 507(07)