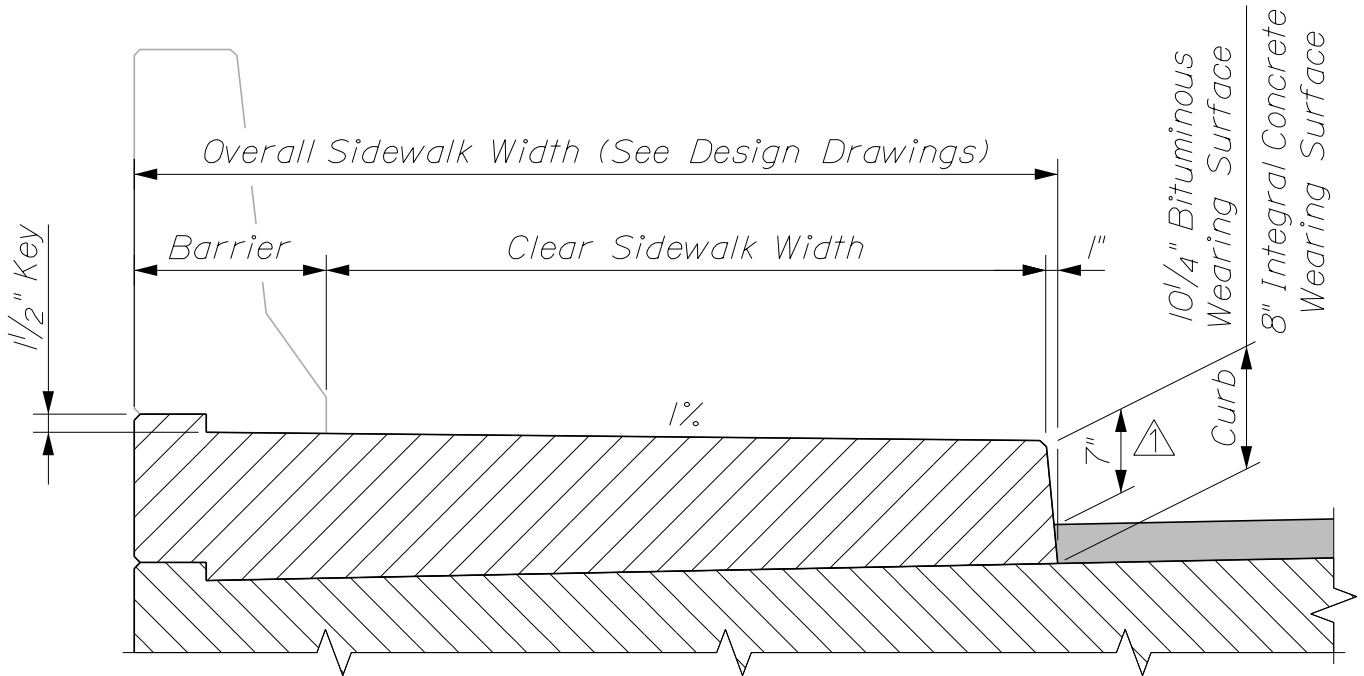


~ WITH STEEL BRIDGE RAILING ~



~ WITH PERMANENT CONCRETE BARRIER ~

CONCRETE SIDEWALK ON BRIDGES

Supersedes 502(06)