

PROJECT NAME: CULVERT REPLACEMENT

PROJECT LOCATION: STOCKTON SPRINGS U.S. ROUTE 1, ME

AGENCY/MUNICIPALITY: MEDOT

PROJECT JOB NO: WIN 023779.10

PREPARED FOR: STATE OF MAINE

ENGINEER: MEDOT

ENGINEER PROJ. NO: N/A

JOB SPECIFICATIONS: SPECIAL PROVISION SECTION 534

DRAWINGS: PLANS OF STOCKTON SPRINGS U.S. ROUTE 1 SHEETS 1 & 2

OTHER INFORMATION: N/A

PREPARED BY: CONCRETE SYSTEMS INC.

CSI JOB NO: C24865

DRAWING INDEX			
SHEET NO.	DESCRIPTION	REVISION NO.	REV. DATE
1	TITLE SHEET	1	04/22/2022
2	BOX CULVERT LAYOUT PLAN & SIDE ELEVATION	1	04/22/2022
3	CULVERT END ELEVATION & TYPICAL DETAILS	1	04/22/2022
4	INDIVIDUAL PIECE SHOP DRAWING B1	1	04/22/2022
5	INDIVIDUAL PIECE SHOP DRAWING B2	1	04/22/2022
6	INDIVIDUAL PIECE SHOP DRAWING B3	1	04/22/2022
7	INDIVIDUAL PIECE SHOP DRAWING B4	1	04/22/2022
8	INDIVIDUAL PIECE SHOP DRAWING TW1	0	03/17/2022

<input type="checkbox"/>	NO EXCEPTION TAKEN
<input checked="" type="checkbox"/>	MAKE CORRECTIONS NOTED, NO RESUBMISSION REQUIRED
<input type="checkbox"/>	REVISE AND RESUBMIT
<input type="checkbox"/>	RESUBMIT CERTIFIED
<b>STANTEC CONSULTING SERVICES INC.</b>	
BY sjwilliams      DATE 4/26/2022	
REVIEW BY STANTEC IS FOR THE SOLE PURPOSE OF ASCERTAINING GENERAL CONFORMITY WITH DESIGN. The review does not relieve the contractor of their responsibility for equipment design dimensions, fit, quality & compliance with the contract documents nor for construction means, methods, techniques, and sequences and any errors or omissions in the shop drawings.	

Contractor is to verify that all information shown on drawings has been thoroughly checked, complies with the contract documents and is adequate to meet the field conditions. Some dimensions and details may differ slightly from contract drawings to accommodate the manufacturing or design process. Approval of this drawing indicates that any deviation from the contract documents has been reviewed and found to be acceptable. Production will not commence until receipt of signed, approved shop drawings.



9 Commercial Street, Hudson, New Hampshire 03051  
 (800) 342-3374 (603) 889-4163  
 FAX (603) 889-0039 [www.csigroup.com](http://www.csigroup.com)

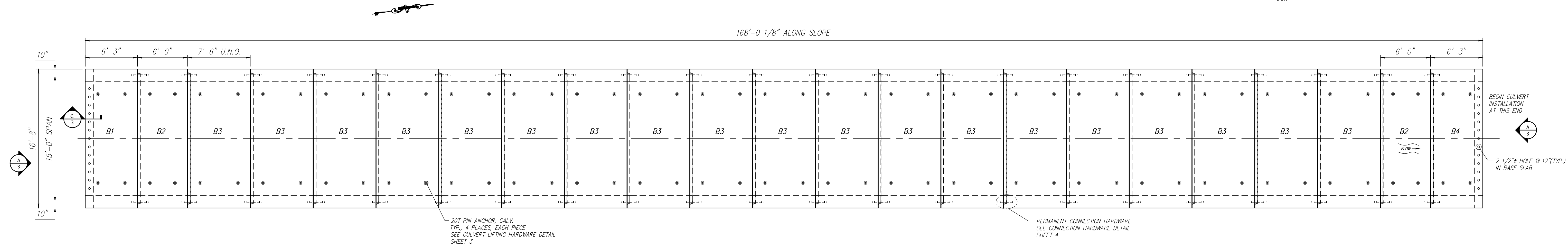
Stamp for structural design of precast only

STATE PROJECT NO. 23779.10

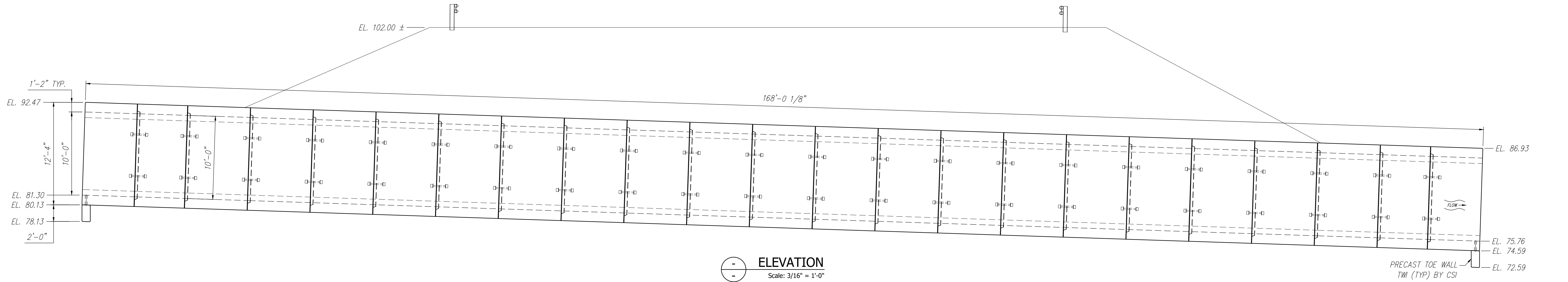
NO EXCEPTION TAKEN  
 MAKE CORRECTIONS NOTED, NO RESUBMISSION REQUIRED  
 REVISE AND RESUBMIT  
 RESUBMIT CERTIFIED  
**STANTEC CONSULTING SERVICES INC.**  
 BY sjwilliams DATE 4/26/2022  
REVIEW BY STANTEC IS FOR THE SOLE PURPOSE OF ASCERTAINING GENERAL CONFORMITY WITH DESIGN. THE REVIEW DOES NOT RELIEVE THE CONTRACTOR OF THEIR RESPONSIBILITY FOR EQUIPMENT DESIGN DIMENSIONS, FIT, QUALITY & COMPLIANCE WITH THE CONTRACT DOCUMENTS NOR FOR CONSTRUCTION MEANS, METHODS, TECHNIQUES, AND SEQUENCES AND ANY ERRORS OR OMISSIONS IN THE SHOP DRAWINGS.

- CULVERT GENERAL NOTES:**
- REFERENCE STANDARDS:  
AASHTO "LRFD BRIDGE DESIGN SPECIFICATIONS"  
ASTM C1577
  - DESIGN PARAMETERS:  
LIVE LOAD: HI-93 MAINE MODIFIED  
CONSTRUCTION LOADING WITH 18" EARTH COVER  
EARTH COVER: 12'-0"±  
CONCRETE: DESIGN STRENGTH FC = 5000 PSI CLASS P  
UNIT WEIGHT = 150 PCF  
3 GAL/CY CORROSION INHIBITOR  
REINFORCING: ASTM A615 (REBAR), GRADE 60, BLACK  
SOIL: UNIT WEIGHT = 125 PCF Δ  
MINIMUM LATERAL = 30 PCF  
MAXIMUM LATERAL = 60 PCF  
COVER TO REINFORCING: 2" OUTSIDE
  - DIMENSIONS INCLUDE A 1/2" JOINT CREEP. OVERALL CULVERT LENGTH WILL VARY SLIGHTLY DEPENDING ON INSTALLATION.
  - MEMBRANE WATERPROOFING TO SUPPLIED AND APPLIED ON TOP AND 12" DOWN OF EXTERIOR SIDES OF STRUCTURE BY OTHERS.
  - DBS ARE DOWEL BAR SPLICERS AND DI ARE DOWEL INS. BOTH ARE SUPPLIED BY CSI.

PIECE SCHEDULE (MK-FA5000SCC13)				
MARK	QTY	LENGTH	YDS	WEIGHT
B1	1	6.25	13.28	26.89 TONS
B2	2	6.00	12.54	25.40 TONS
B3	19	7.50	15.68	31.75 TONS
B4	1	6.25	12.85	26.03 TONS
TW1	2	16.67	1.23	2.50 TONS



**PLAN VIEW**  
Scale: 3/16" = 1'-0"



**ELEVATION**  
Scale: 3/16" = 1'-0"

Contractor is to verify that all information shown on drawings has been thoroughly checked, complies with the contract documents and is adequate to meet the field conditions. Some dimensions and details may differ slightly from contract drawings to accommodate the manufacturing or design process. Approval of this drawing indicates that any deviation from the contract documents has been reviewed and found to be acceptable. Production will not commence until receipt of signed, approved shop drawings.

This drawing contains information proprietary to CONCRETE SYSTEMS, INC. This drawing is disclosed with the understanding that it will be retained in confidence and its use limited solely to the purpose for which it is disclosed. It is understood that no reproduction of this drawing is authorized without permission from CONCRETE SYSTEMS, INC. and that it will be returned to CONCRETE SYSTEMS, INC. upon request.

Rev.	Date	DESCRIPTION	By
10			
9			
8			
7			
6			
5			
4			
3			
2			
1	04/22/2022	SEE REV TRIANGLE	YAA

This drawing is based upon information provided from the following documents and/or sources:

Engineer: MEDOT  
 Project No: N/A  
 Drawings: PLANS OF STOCKTON SPRINGS U.S. ROUTE 1 SHEETS 1 & 2  
 Specifications: SPECIAL PROVISION SECTION 534  
 Other Sources: N/A

**Concrete Systems Inc.**  
 9 Commercial St., Hudson, NH 03051  
 Phone 603-889-4163  
 Fax 603-889-2417

STATE AGENCY  
 MEDOT

Drawn By: YAA Date: 02/18/2022  
 Reviewed By: MRS Date: 03/17/2022  
 Approved By: \_\_\_\_\_ Date: \_\_\_\_\_

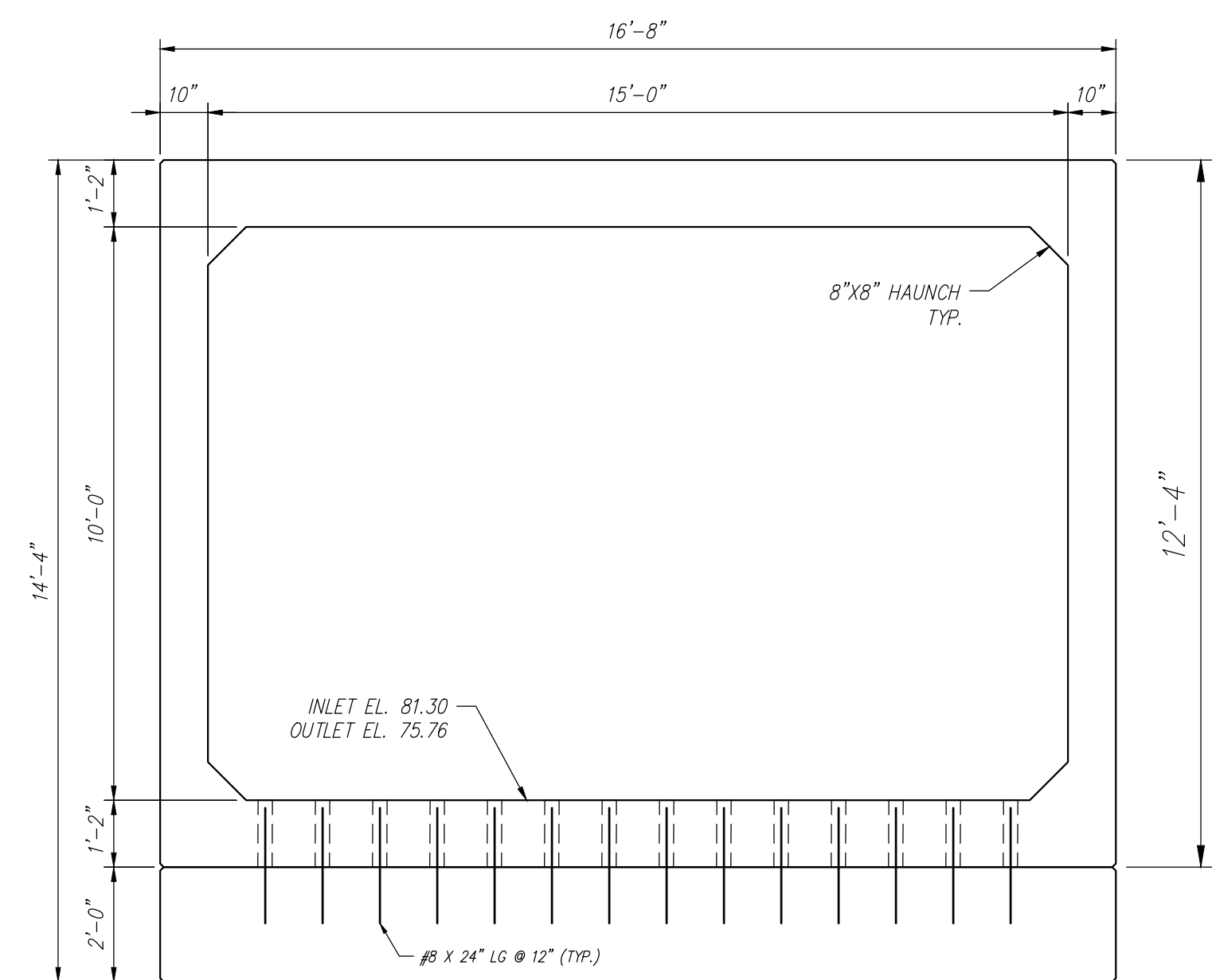
STATE PROJECT NO. 23779.10

STATE OF MAINE  
 CULVERT REPLACEMENT  
 STOCKTON SPRINGS U.S. ROUTE 1, ME

**CULVERT LAYOUT PLAN & SIDE ELEVATION**

Quantity: — Project No: WIN 023779.10 SHEET 2 OF 8

REV 1



**A**  
**2** TYPICAL END ELEVATIONS  
SCALE: 3/8" = 1'-0"

NO EXCEPTION TAKEN

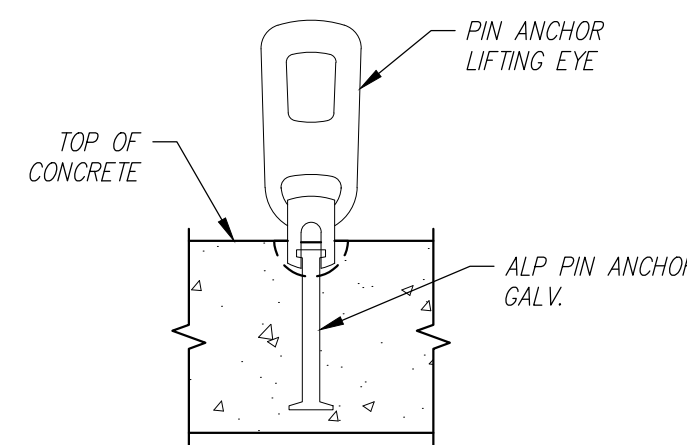
MAKE CORRECTIONS NOTED, NO RESUBMISSION REQUIRED

REVISE AND RESUBMIT

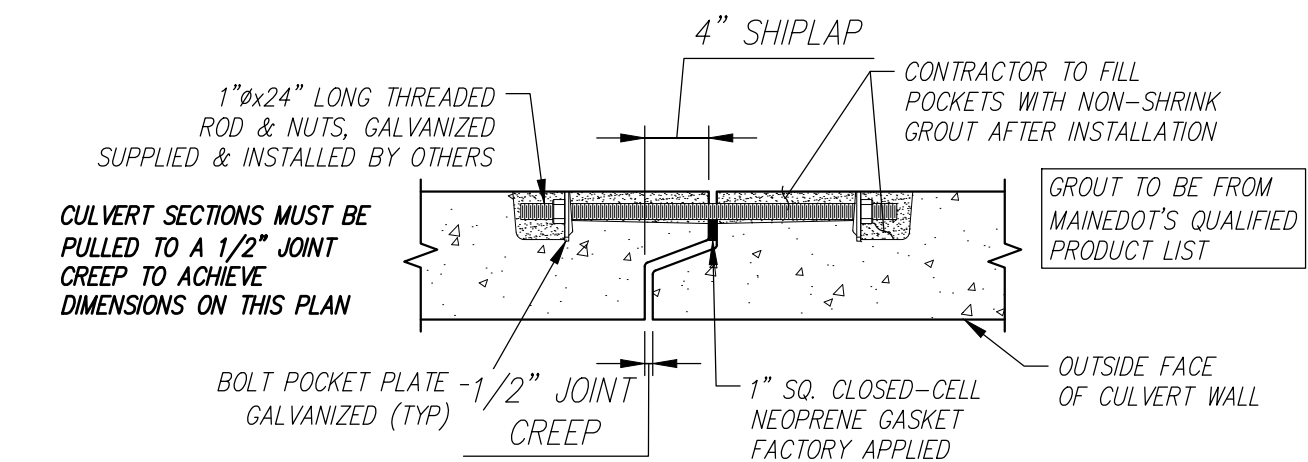
RESUBMIT CERTIFIED

**STANTEC CONSULTING SERVICES INC.**  
BY sjwilliams DATE 4/26/2022

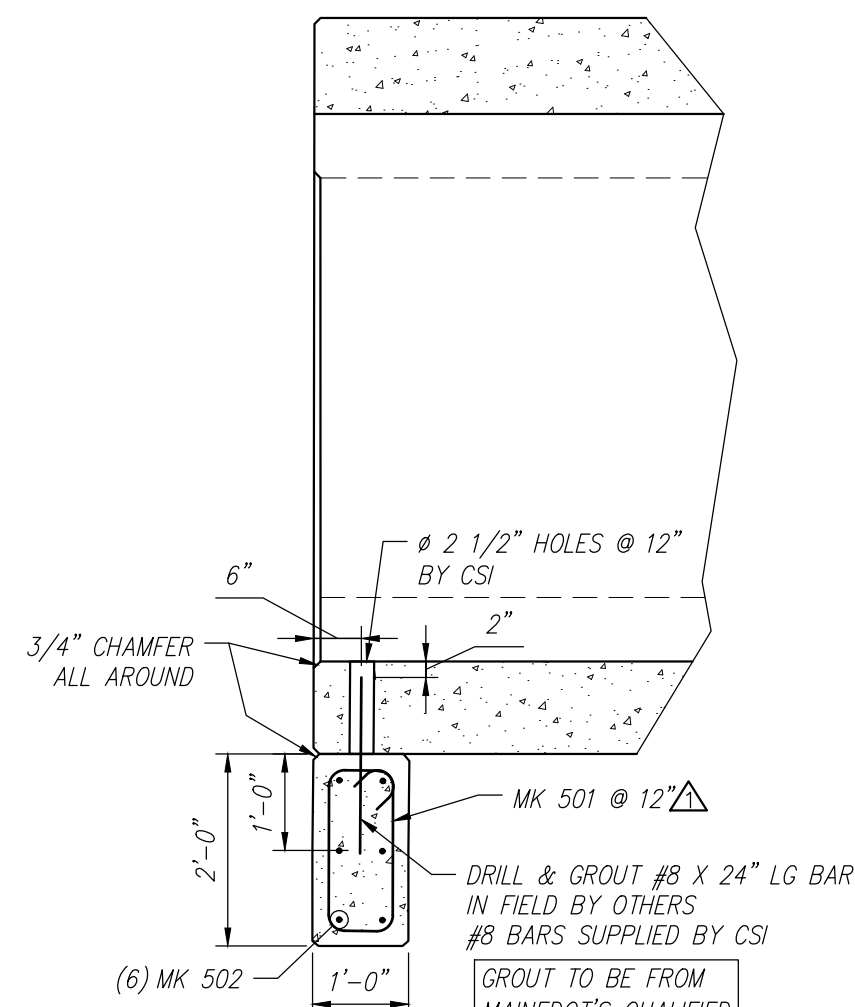
REVIEW BY STANTEC IS FOR THE SOLE PURPOSE OF ASCERTAINING GENERAL CONFORMITY WITH DESIGN. The review does not relieve the contractor of their responsibility for equipment design dimensions, fit, quality & compliance with the contract documents nor for construction means, methods, techniques, and sequences and any errors or omissions in the shop drawings.



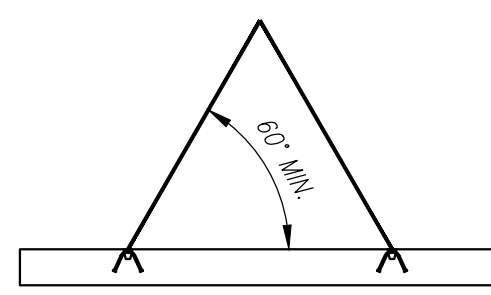
**-**  
**-** CULVERT LIFTING HARDWARE DETAIL  
Scale: N.T.S.



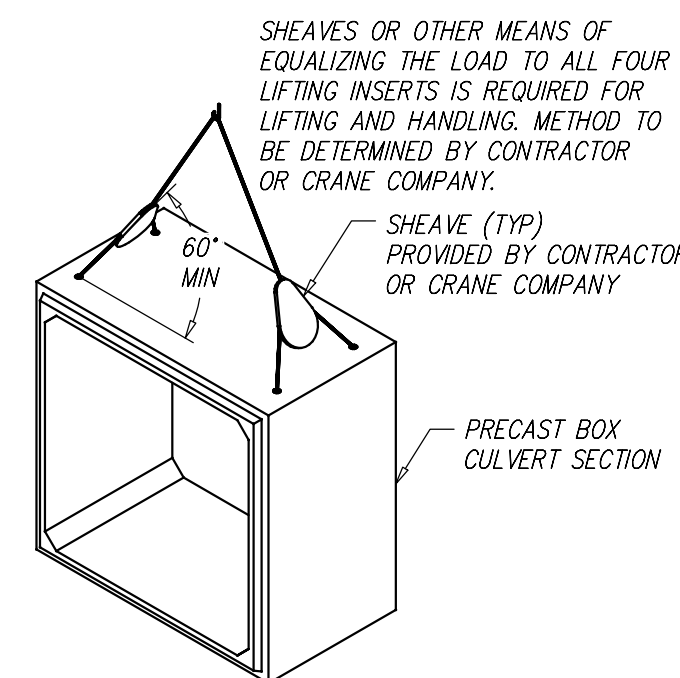
**-**  
**-** CULVERT JOINT DETAIL  
SCALE: N.T.S.



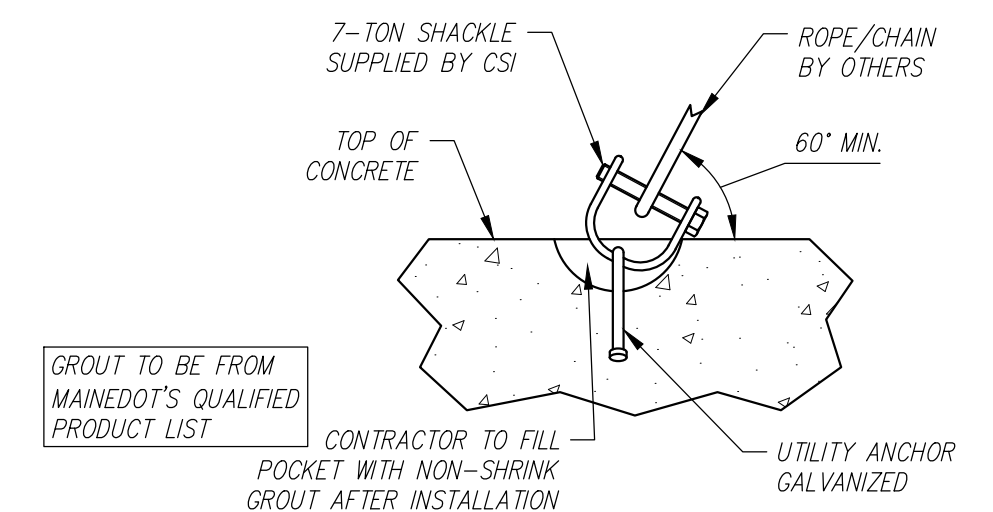
**C**  
**2** TYPICAL END SECTION  
Scale: 1/2" = 1'-0"



**-**  
**-** TOE WALL LIFTING DETAIL  
SCALE: N.T.S.



**-**  
**-** CULVERT SHEAVE DETAIL  
Scale: N.T.S.



**-**  
**-** TOE WALL LIFTING HARDWARE DETAIL  
Scale: N.T.S.

Contractor is to verify that all information shown on drawings has been thoroughly checked, complies with the contract documents and is adequate to meet the field conditions. Some dimensions and details may differ slightly from contract drawings to accommodate the manufacturing or design process. Approval of this drawing indicates that any deviation from the contract documents has been reviewed and found to be acceptable. Production will not commence until receipt of signed, approved shop drawings.

This drawing contains information proprietary to CONCRETE SYSTEMS, INC. This drawing is disclosed with the understanding that it will be retained in confidence and its use limited solely to the purpose for which it is disclosed. It is understood that no reproduction of this drawing is authorized without permission from CONCRETE SYSTEMS, INC. and that it will be returned to CONCRETE SYSTEMS, INC. upon request.

10			
9			
8			
7			
6			
5			
4			
3			
2			
1	04/22/2022	SEE REV TRIANGLE	YAA
Rev.	Date	DESCRIPTION	By
		REVISIONS	

This drawing is based upon information provided from the following documents and/or sources:

Engineer: MEDOT  
Project No: N/A  
Drawings: PLANS OF STOCKTON SPRINGS U.S. ROUTE 1 SHEETS 1 & 2  
Specifications: SPECIAL PROVISION SECTION 534  
Other Sources: N/A

**CSI**  
Concrete Systems Inc.  
9 Commercial St., Hudson, NH 03051  
Phone 603-889-4163  
Fax 603-889-2417

STATE AGENCY	
MEDOT	
Drawn By	YAA
Date	02/18/2022
Reviewed By	MRS
Date	03/17/2022
Approved By	
Date	

STATE PROJECT NO. 23779.10			
STATE OF MAINE CULVERT REPLACEMENT STOCKTON SPRINGS U.S. ROUTE 1, ME			
D	CULVERT END ELEVATION & TYPICAL DETAILS		REV 1
	C24865-DET1		
Quantity: -	Project No: WIN 023779.10	SHEET 3 OF 8	

<input type="checkbox"/>	NO EXCEPTION TAKEN
<input checked="" type="checkbox"/>	MAKE CORRECTIONS NOTED, NO RESUBMISSION REQUIRED
<input type="checkbox"/>	REVISE AND RESUBMIT
<input type="checkbox"/>	RESUBMIT CERTIFIED

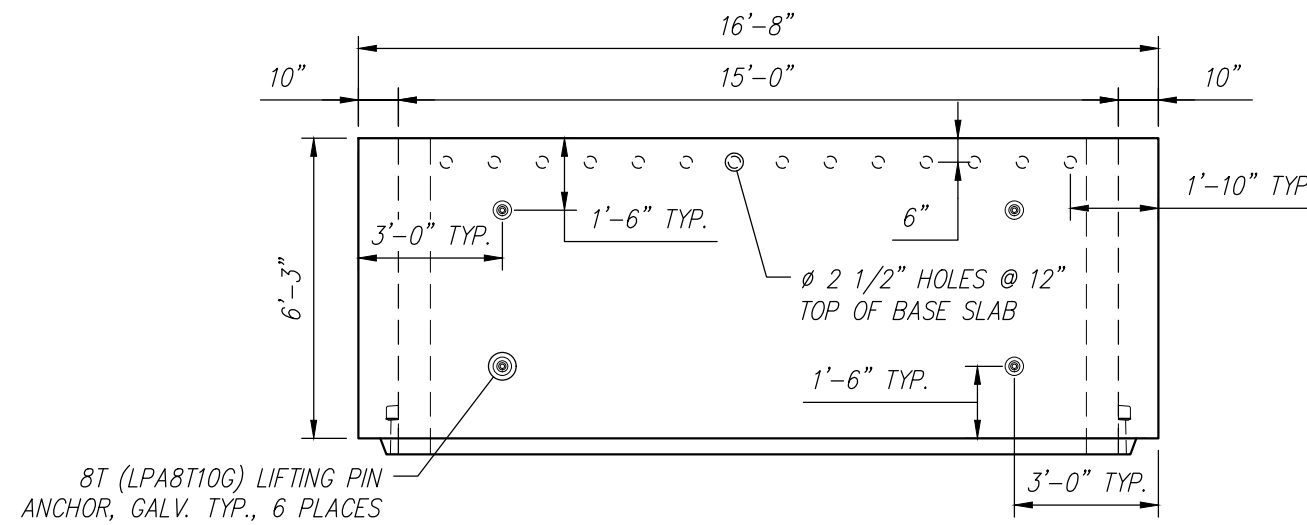
**STANTEC CONSULTING SERVICES INC.**  
 BY sjwilliams DATE 4/26/2022

REVIEW BY STANTEC IS FOR THE SOLE PURPOSE OF ASCERTAINING GENERAL CONFORMITY WITH DESIGN. The review does not relieve the contractor of their responsibility for equipment design dimensions, fit, quality & compliance with the contract documents nor for construction means, methods, techniques, and sequences and any errors or omissions in the shop drawings.

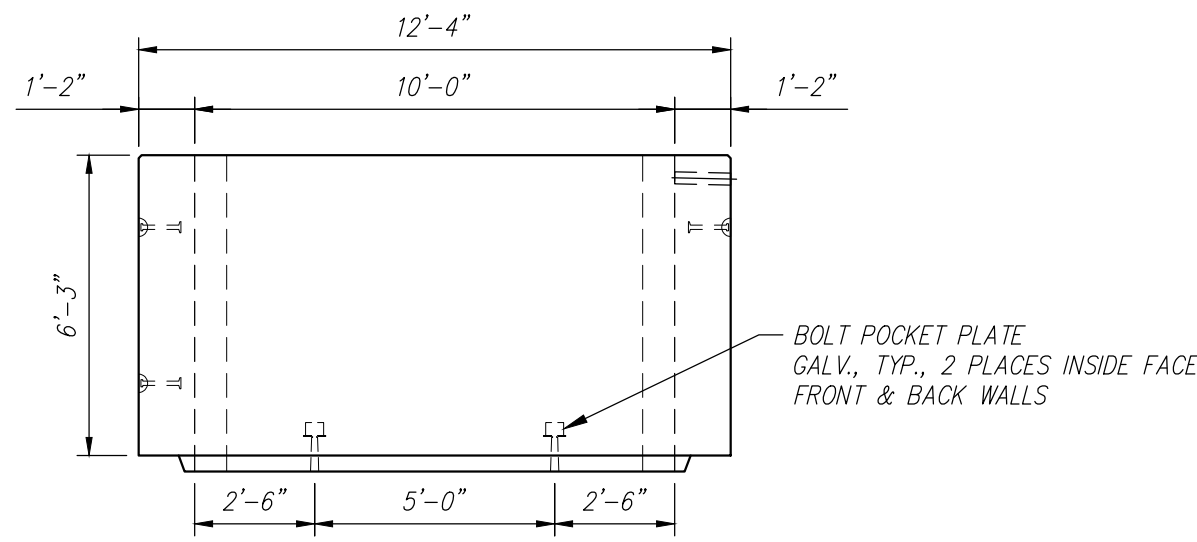
B1 - BILL OF MATERIALS / EMBEDS				
CSI ID#	DESCRIPTION	QTY	UM	COMMENTS
DTJ	8T PIN ANCHOR - GALVANIZED	6	EA	ALP #LPA8T10G OR EQ.
DTJ	2.5" FOAM CORE PVC	16.33	FT	
EM-00125	BOLT POCKET PLATES (GALVANIZED)	4	EA	
RM-00013	REBAR #4 BLACK- GR 60	240	LB	
RM-00017	REBAR #6 BLACK-GR 60 40'	856	LB	
RM-00098	WIRE MESH ALL SIZES	1781	LB	TOTAL WEIGHT
MX-FA5000SCC13	MIX DESIGN - FLY ASH 5000 SELF COMPACTIN	13.28	CY	

Culvert Rebar Schedule			
MK	QTY	LENGTH	
401 #4	18	20'-0"	
601 #6	36	15'-10"	

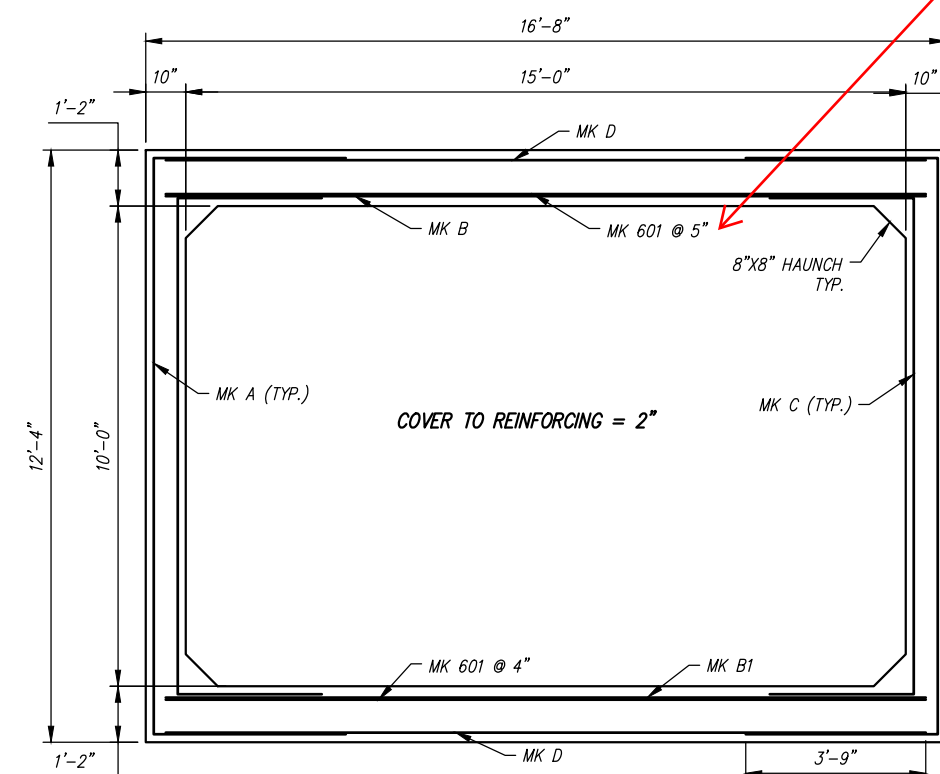
WEIGHT = 26.89 TONS



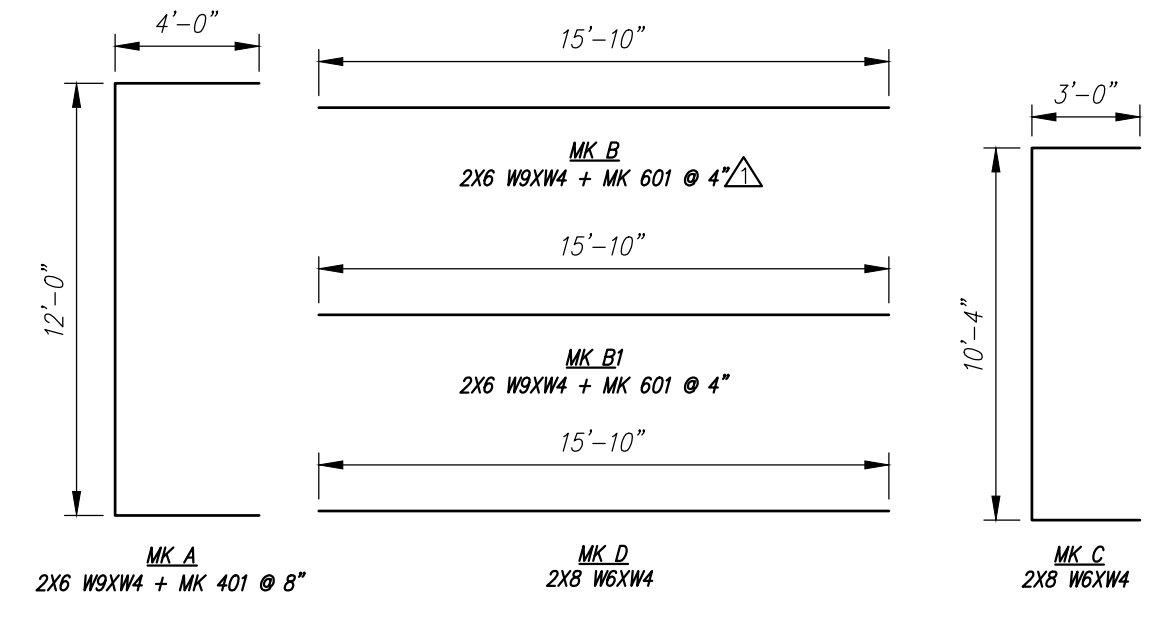
PLAN VIEW  
Scale: 1/4" = 1'-0"



SIDE VIEW  
Scale: 1/4" = 1'-0"



REINFORCING DETAIL  
Scale: 1/4" = 1'-0"



BENDING SCHEDULE  
Scale: N.T.S.

Contractor is to verify that all information shown on drawings has been thoroughly checked, complies with the contract documents and is adequate to meet the field conditions. Some dimensions and details may differ slightly from contract drawings to accommodate the manufacturing or design process. Approval of this drawing indicates that any deviation from the contract documents has been reviewed and found to be acceptable. Production will not commence until receipt of signed, approved shop drawings.

This drawing contains information proprietary to CONCRETE SYSTEMS, INC. This drawing is disclosed with the understanding that it will be retained in confidence and its use limited solely to the purpose for which it is disclosed. It is understood that no reproduction of this drawing is authorized without permission from CONCRETE SYSTEMS, INC. and that it will be returned to CONCRETE SYSTEMS, INC. upon request.

10			
9			
8			
7			
6			
5			
4			
3			
2			
1	04/22/2022	REVISED REINFORCING	YAA
Rev.	Date	DESCRIPTION	By
		REVISIONS	

This drawing is based upon information provided from the following documents and/or sources:

Engineer: MEDOT  
 Project No: N/A  
 Drawings: PLANS OF STOCKTON SPRINGS U.S. ROUTE 1 SHEETS 1 & 2  
 Specifications: SPECIAL PROVISION SECTION 534  
 Other Sources: N/A

**CSI**  
 Concrete Systems Inc.  
 9 Commercial St., Hudson, NH, 03051  
 Phone 603-889-4163  
 Fax 603-889-2417

STATE AGENCY	
MEDOT	
Drawn By	YAA
Date	03/15/2022
Reviewed By	MRS
Date	03/17/2022
Approved By	

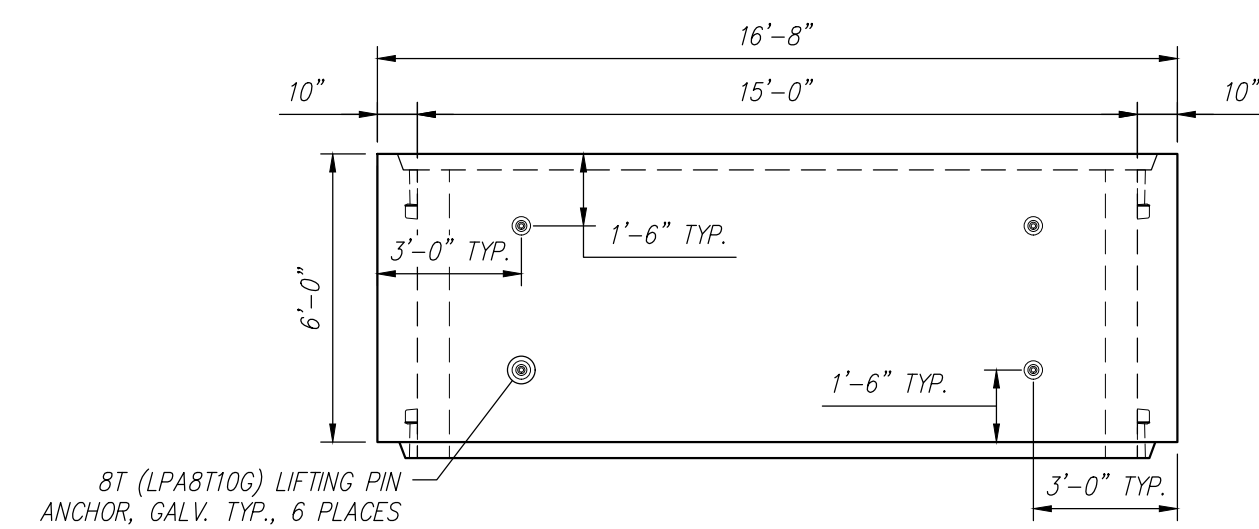
STATE PROJECT NO. 23779.10	
STATE OF MAINE CULVERT REPLACEMENT STOCKTON SPRINGS U.S. ROUTE 1, ME	
D	INDIVIDUAL PIECE SHOP DRAWING B1
Drawing No.	C24865-B1
Quantity: 1	Project No: WIN 023779.10
	SHEET 4 OF 8
REV	1

NO EXCEPTION TAKEN  
 MAKE CORRECTIONS NOTED, NO RESUBMISSION REQUIRED  
 REVISE AND RESUBMIT  
 RESUBMIT CERTIFIED  
**STANTEC CONSULTING SERVICES INC.**  
 BY sjwilliams DATE 4/26/2022  
REVIEW BY STANTEC IS FOR THE SOLE PURPOSE OF ASCERTAINING GENERAL CONFORMITY WITH DESIGN. The review does not relieve the contractor of their responsibility for equipment design dimensions, fit, quality & compliance with the contract documents nor for construction means, methods, techniques, and sequences and any errors or omissions in the shop drawings.

B2 - BILL OF MATERIALS / EMBEDS				
CSI ID#	DESCRIPTION	QTY	UM	COMMENTS
DTJ	8T PIN ANCHOR - GALVANIZED	6	EA	ALP #LP8T10G OR EQ.
EM-00125	BOLT POCKET PLATES (GALVANIZED)	8	EA	
JS-00002	1"X1" CLOSED NEOP GASKET	60	FT	AROUND BELL
RM-00013	REBAR #4 BLACK- GR 60	240	LB	
RM-00017	REBAR #6 BLACK-GR 60 40'	808	LB	
RM-00098	WIRE MESH ALL SIZES	1781	LB	TOTAL WEIGHT
MK-FA5000SCC13	MIX DESIGN - FLY ASH 5000 SELF COMPACTIN	12.54	CY	

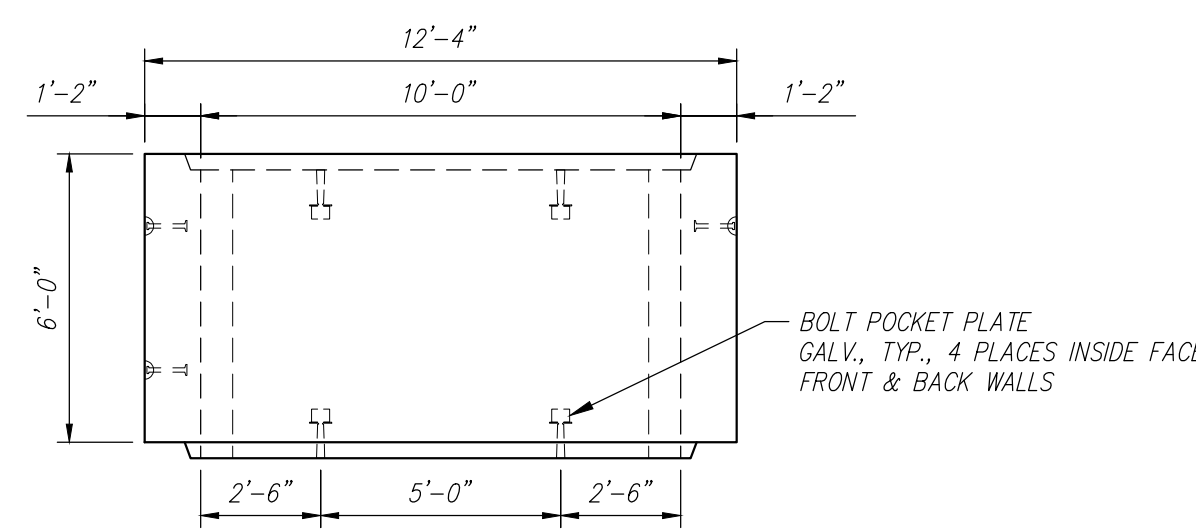
Culvert Rebar Schedule			
MK	QTY	LENGTH	
401 #4	18	20'-0"	
601 #6	34	15'-10"	

WEIGHT = 25.40 TONS

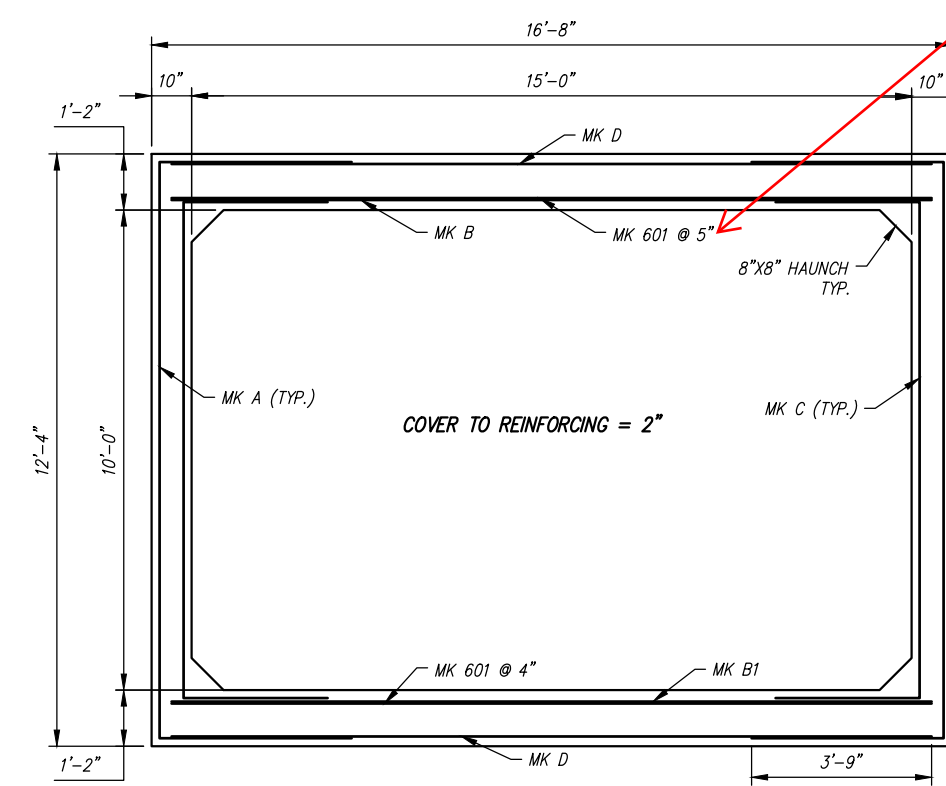


PLAN VIEW  
Scale: 1/4" = 1'-0"

ALL EXPOSED EDGES TO RECEIVE 3/4" CHAMFER

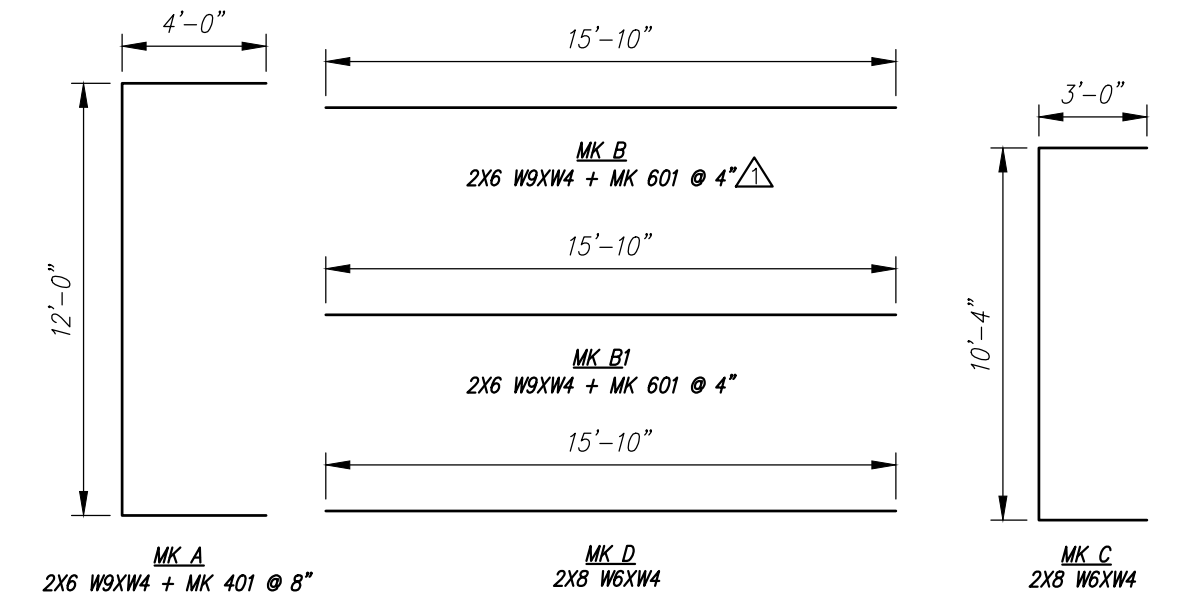


SIDE VIEW  
Scale: 1/4" = 1'-0"



REINFORCING DETAIL  
Scale: 1/4" = 1'-0"

Update to 4" per revised bending schedule



BENDING SCHEDULE  
Scale: N.T.S.

<p>Contractor is to verify that all information shown on drawings has been thoroughly checked, complies with the contract documents and is adequate to meet the field conditions. Some dimensions and details may differ slightly from contract drawings to accommodate the manufacturing or design process. Approval of this drawing indicates that any deviation from the contract documents has been reviewed and found to be acceptable. Production will not commence until receipt of signed, approved shop drawings.</p> <p>This drawing contains information proprietary to CONCRETE SYSTEMS, INC. This drawing is disclosed with the understanding that it will be retained in confidence and its use limited solely to the purpose for which it is disclosed. It is understood that no reproduction of this drawing is authorized without permission from CONCRETE SYSTEMS, INC. and that it will be returned to CONCRETE SYSTEMS, INC. upon request.</p>	10			
	9			
	8			
	7			
	6			
	5			
	4			
	3			
	2			
	1	04/22/2022	REVISED REINFORCING	YAA
Rev.	Date	DESCRIPTION	By	
		REVISIONS		

This drawing is based upon information provided from the following documents and/or sources:

Engineer: MEDOT  
 Project No: N/A  
 Drawings: PLANS OF STOCKTON SPRINGS U.S. ROUTE 1 SHEETS 1 & 2  
 Specifications: SPECIAL PROVISION SECTION 534  
 Other Sources: N/A

**Concrete Systems Inc.**  
 9 Commercial St., Hudson, NH 03051  
 Phone 603-889-4163  
 Fax 603-889-2417

STATE AGENCY	
MEDOT	
Drawn By	Date
YAA	03/15/2022
Reviewed By	Date
MRS	03/17/2022
Approved By	Date

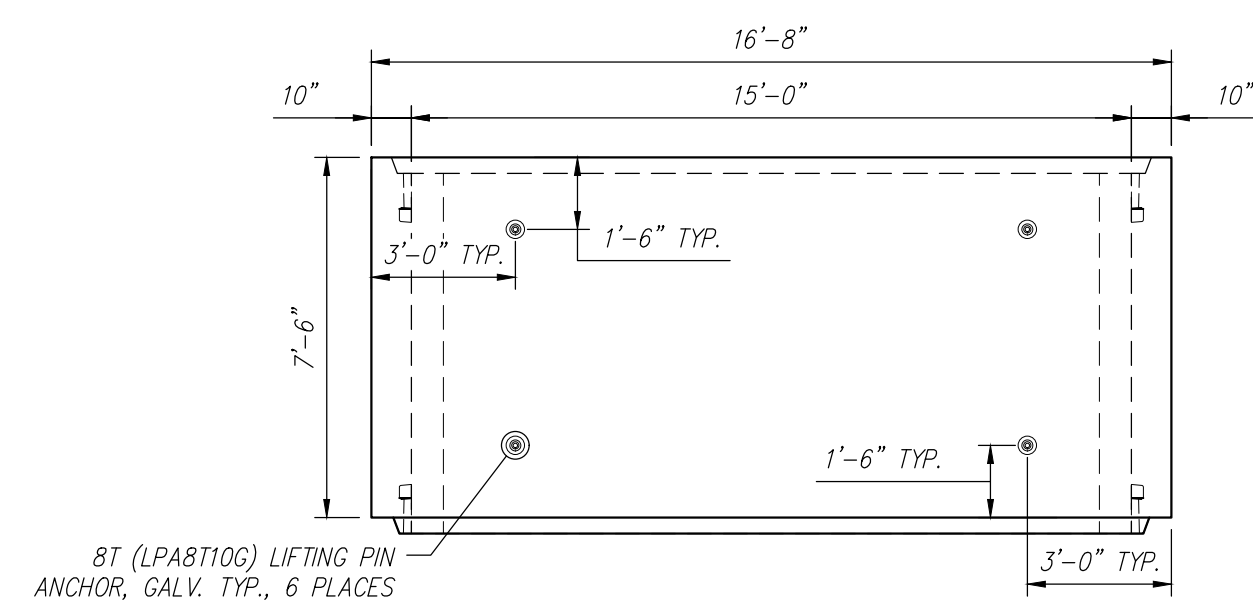
STATE PROJECT NO. 23779.10	
STATE OF MAINE CULVERT REPLACEMENT STOCKTON SPRINGS U.S. ROUTE 1, ME	
D	INDIVIDUAL PIECE SHOP DRAWING B2
	C24865-B2
Quantity: 2	Project No: WIN 023779.10
	SHEET 5 OF 8
REV	1

<input type="checkbox"/>	NO EXCEPTION TAKEN
<input checked="" type="checkbox"/>	MAKE CORRECTIONS NOTED, NO RESUBMISSION REQUIRED
<input type="checkbox"/>	REVISE AND RESUBMIT
<input type="checkbox"/>	RESUBMIT CERTIFIED
<b>STANTEC CONSULTING SERVICES INC.</b>	
BY sjwilliams      DATE 4/26/2022	
<small>REVIEW BY STANTEC IS FOR THE SOLE PURPOSE OF ASCERTAINING GENERAL CONFORMITY WITH DESIGN. The review does not relieve the contractor of their responsibility for equipment design dimensions, fit, quality &amp; compliance with the contract documents nor for construction means, methods, techniques, and sequences and any errors or omissions in the shop drawings.</small>	

B3 - BILL OF MATERIALS / EMBEDS				
CSI ID#	DESCRIPTION	QTY	UM	COMMENTS
DTJ	8T PIN ANCHOR - GALVANIZED	6	EA	ALP #LPA8T10G OR EQ.
EM-00125	BOLT POCKET PLATES (GALVANIZED)	8	EA	
JS-00002	1"X1" CLOSED NEOP GASKET	60	FT	AROUND BELL
RM-00013	REBAR #4 BLACK-GR 60	294	LB	
RM-00017	REBAR #6 BLACK-GR 60 40'	1046	LB	
RM-00098	WIRE MESH ALL SIZES	1781	LB	TOTAL WEIGHT
MX-FA5000SCC/3	MIX DESIGN - FLY ASH 5000 SELF COMPACTIN	15.68	CY	

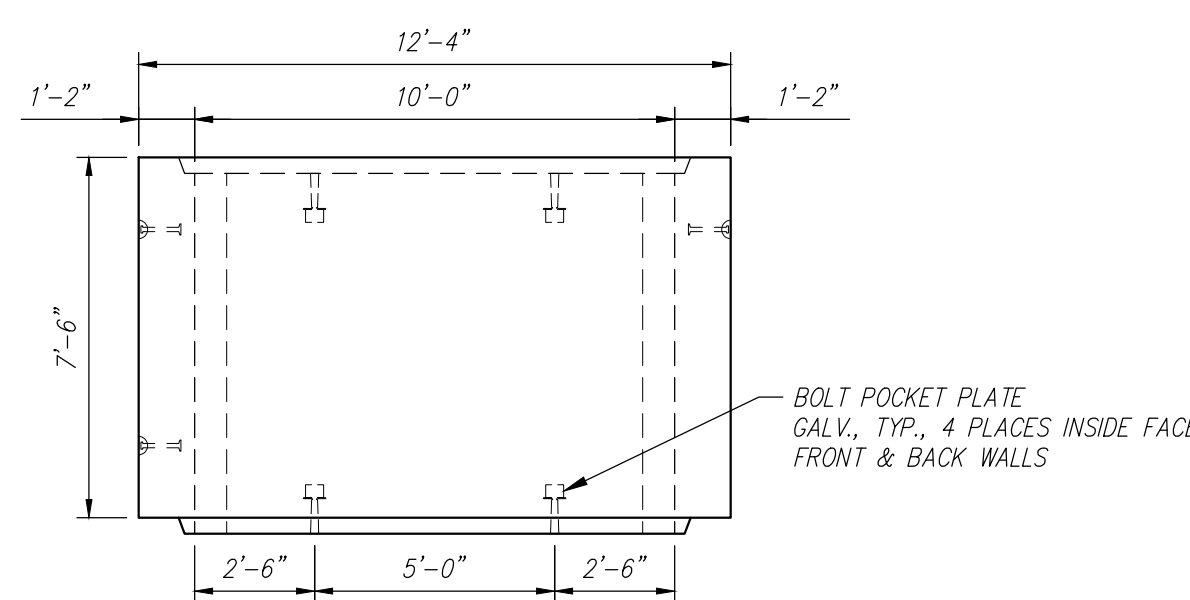
Culvert Rebar Schedule		
MK	QTY	LENGTH
401 #4	22	20'-0"
601 #6	44	15'-10"

WEIGHT = 31.75 TONS

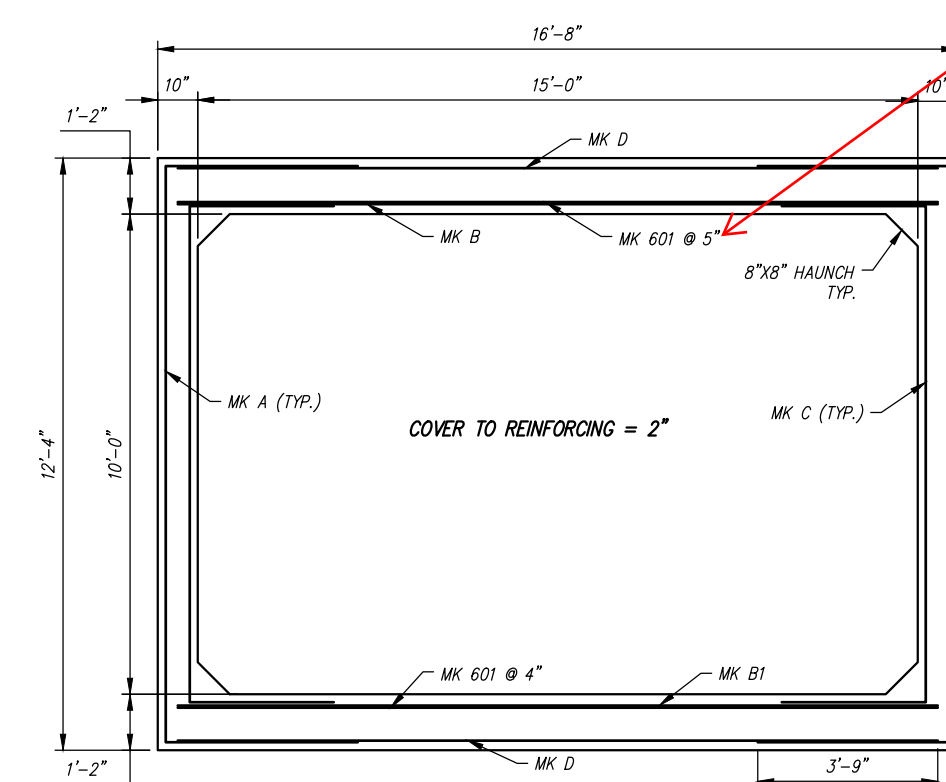


PLAN VIEW  
Scale: 1/4" = 1'-0"

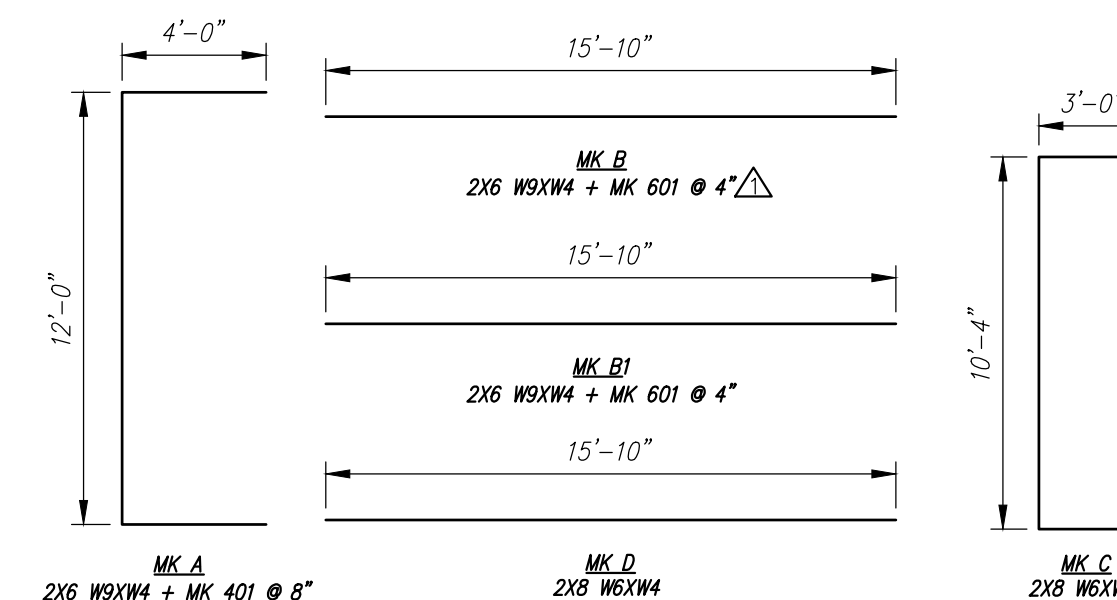
ALL EXPOSED EDGES TO RECEIVE 3/4" CHAMFER



SIDE VIEW  
Scale: 1/4" = 1'-0"



REINFORCING DETAIL  
Scale: 1/4" = 1'-0"



BENDING SCHEDULE  
Scale: N.T.S.

Update to 4" per revised bending schedule

Contractor is to verify that all information shown on drawings has been thoroughly checked, complies with the contract documents and is adequate to meet the field conditions. Some dimensions and details may differ slightly from contract drawings to accommodate the manufacturing or design process. Approval of this drawing indicates that any deviation from the contract documents has been reviewed and found to be acceptable. Production will not commence until receipt of signed, approved shop drawings.

This drawing contains information proprietary to CONCRETE SYSTEMS, INC. This drawing is disclosed with the understanding that it will be retained in confidence and its use limited solely to the purpose for which it is disclosed. It is understood that no reproduction of this drawing is authorized without permission from CONCRETE SYSTEMS, INC. and that it will be returned to CONCRETE SYSTEMS, INC. upon request.

10			
9			
8			
7			
6			
5			
4			
3			
2			
1	04/22/2022	REVISED REINFORCING	YAA
Rev.	Date	DESCRIPTION	By
REVISIONS			

This drawing is based upon information provided from the following documents and/or sources:  
 Engineer: MEDOT  
 Project No: N/A  
 Drawings: PLANS OF STOCKTON SPRINGS U.S. ROUTE 1 SHEETS 1 & 2  
 Specifications: SPECIAL PROVISION SECTION 534  
 Other Sources: N/A

**CSI**  
 Concrete Systems Inc.  
 9 Commercial St., Hudson, NH 03051  
 Phone 603-889-4163  
 Fax 603-889-2417

STATE AGENCY  
 MEDOT  
 Drawn By: YAA  
 Date: 03/15/2022  
 Reviewed By: MRS  
 Date: 03/17/2022  
 Approved By:

STATE PROJECT NO. 23779.10  
 STATE OF MAINE  
 CULVERT REPLACEMENT  
 STOCKTON SPRINGS U.S. ROUTE 1, ME  
 Drawing No. D  
 INDIVIDUAL PIECE SHOP DRAWING B3  
 C24865-B3  
 Quantity: 19  
 Project No: WIN 023779.10  
 SHEET 6 OF 8  
 REV 1

B4 - BILL OF MATERIALS / EMBEDS				
CSI ID#	DESCRIPTION	QTY	UM	COMMENTS
DTJ	BT PIN ANCHOR - GALVANIZED	6	EA	ALP #LPA8T10G OR EQ.
DTJ	2.5" FOAM CORE PVC	16.33	FT	
EM-00125	BOLT POCKET PLATES (GALVANIZED)	4	EA	
JS-00002	1"X1" CLOSED NEOP GASKET	60	FT	AROUND BELL
RM-00013	REBAR #4 BLACK- GR 60	240	LB	
RM-00017	REBAR #6 BLACK-GR 60 40'	856	LB	
RM-00098	WIRE MESH ALL SIZES	1781	LB	TOTAL WEIGHT
MX-FA5000SCC3	MIX DESIGN - FLY ASH 5000 SELF COMPACTIN	12.85	CY	

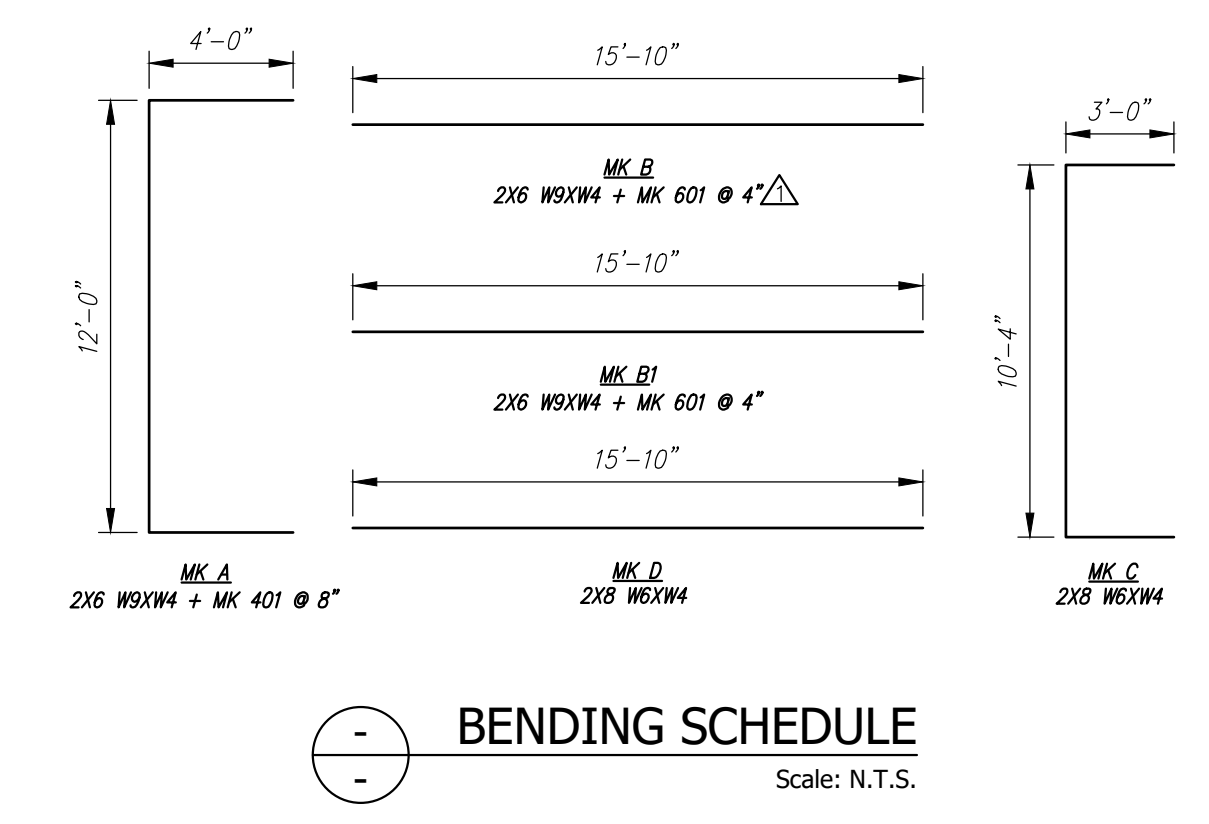
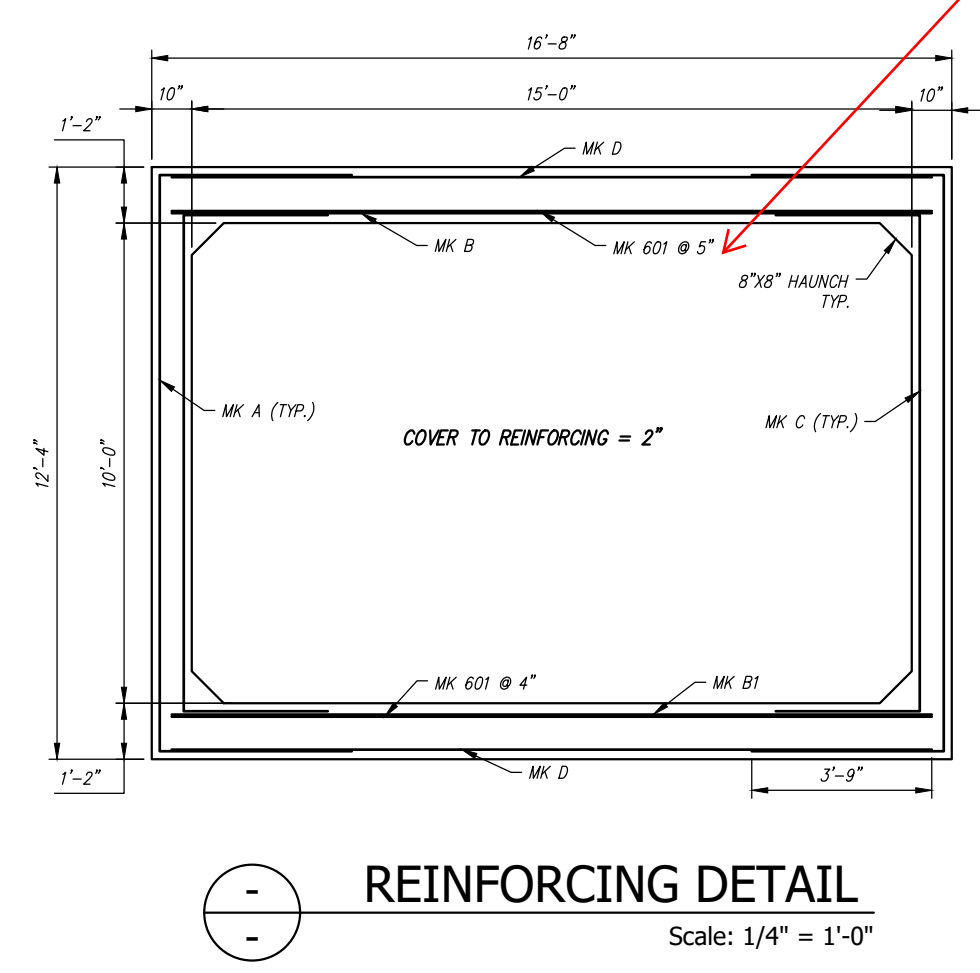
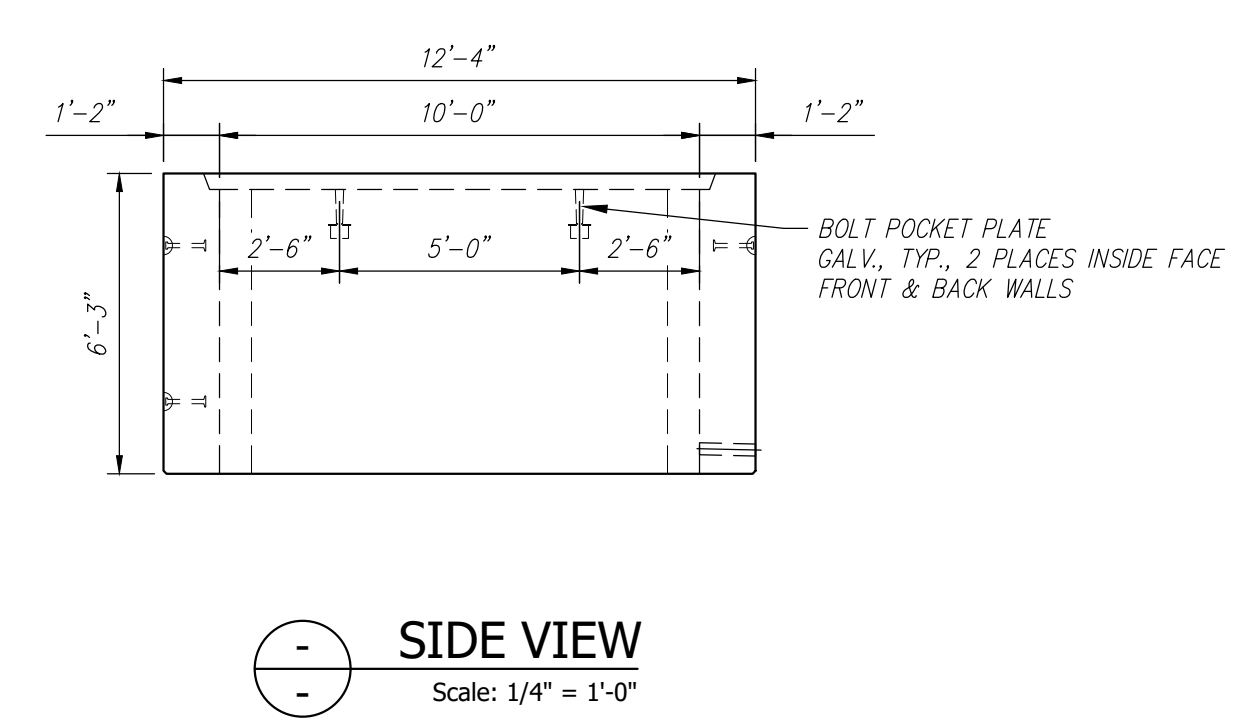
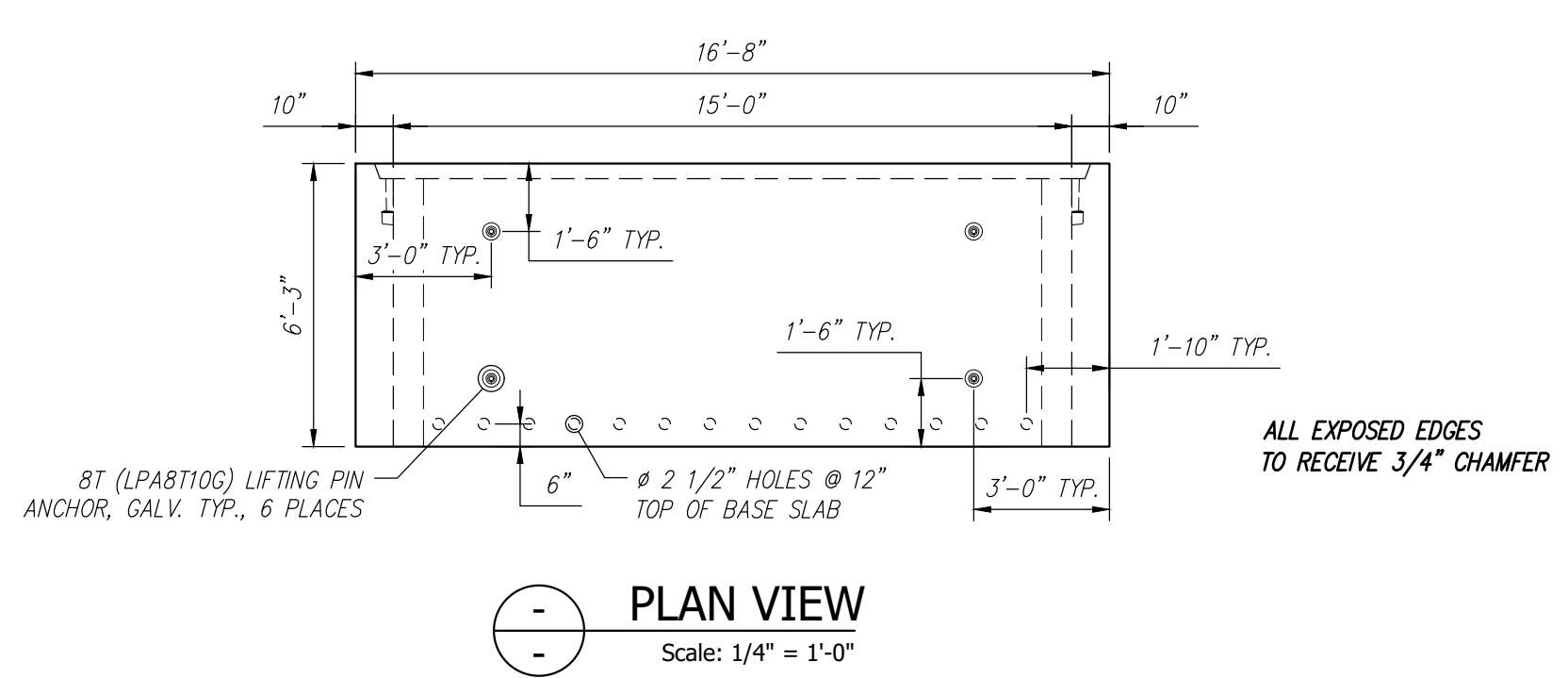
Culvert Rebar Schedule		
MK	QTY	LENGTH
401 #4	18	20' - 0"
601 #6	36	15' - 10"

WEIGHT = 26.03 TONS

<input type="checkbox"/>	NO EXCEPTION TAKEN
<input checked="" type="checkbox"/>	MAKE CORRECTIONS NOTED, NO RESUBMISSION REQUIRED
<input type="checkbox"/>	REVISE AND RESUBMIT
<input type="checkbox"/>	RESUBMIT CERTIFIED

**STANTEC CONSULTING SERVICES INC.**  
 BY *sjwilliams* DATE 4/26/2022

REVIEW BY STANTEC IS FOR THE SOLE PURPOSE OF ASCERTAINING GENERAL CONFORMITY WITH DESIGN. The review does not relieve the contractor of their responsibility for equipment design dimensions, fit, quality & compliance with the contract documents nor for construction means, methods, techniques, and sequences and any errors or omissions in the shop drawings.



Update to 4" per revised bending schedule

<p>Contractor is to verify that all information shown on drawings has been thoroughly checked, complies with the contract documents and is adequate to meet the field conditions. Some dimensions and details may differ slightly from contract drawings to accommodate the manufacturing or design process. Approval of this drawing indicates that any deviation from the contract documents has been reviewed and found to be acceptable. Production will not commence until receipt of signed, approved shop drawings.</p> <p>This drawing contains information proprietary to CONCRETE SYSTEMS, INC. This drawing is disclosed with the understanding that it will be retained in confidence and its use limited solely to the purpose for which it is disclosed. It is understood that no reproduction of this drawing is authorized without permission from CONCRETE SYSTEMS, INC. and that it will be returned to CONCRETE SYSTEMS, INC. upon request.</p>	10			
	9			
	8			
	7			
	6			
	5			
	4			
	3			
	2			
	1	04/22/2022	REVISED REINFORCING	YAA
Rev.	Date	DESCRIPTION	By	
REVISIONS				

This drawing is based upon information provided from the following documents and/or sources:

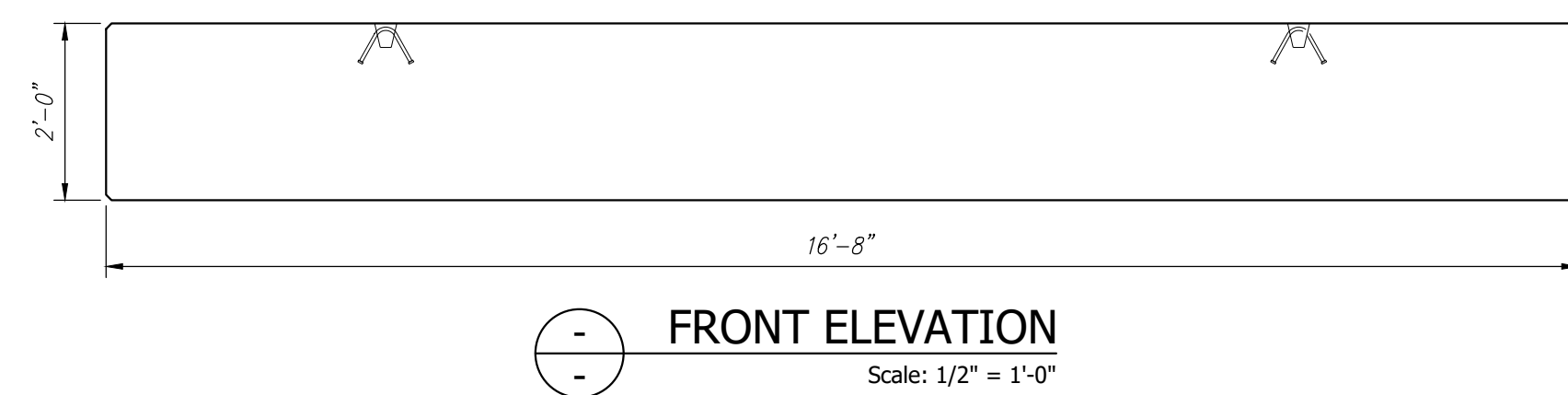
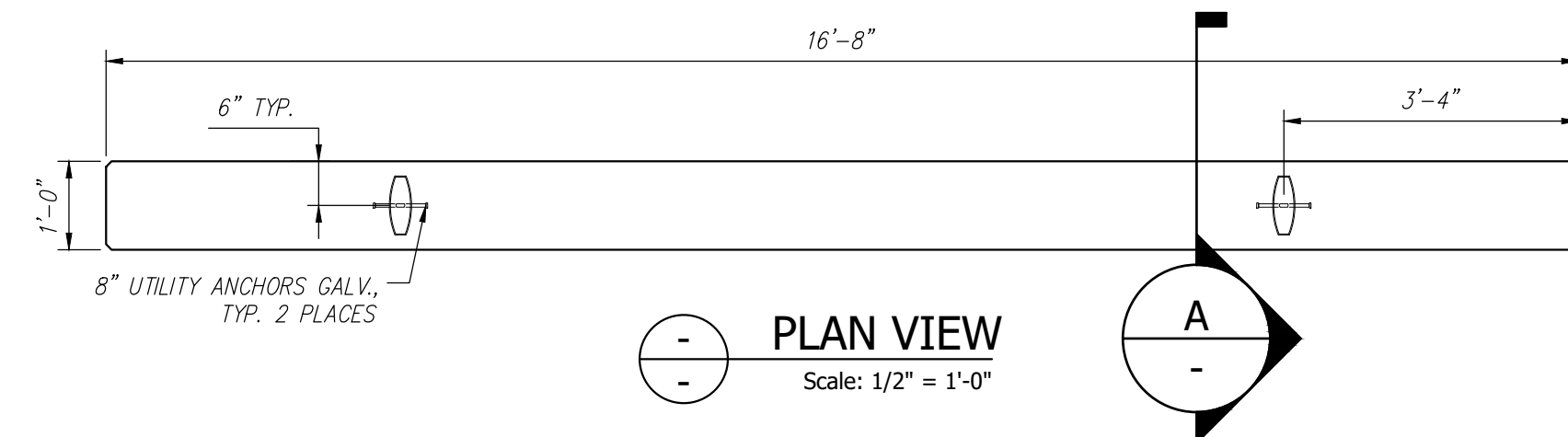
Engineer: MEDOT  
 Project No: N/A  
 Drawings: PLANS OF STOCKTON SPRINGS U.S. ROUTE 1 SHEETS 1 & 2  
 Specifications: SPECIAL PROVISION SECTION 534  
 Other Sources: N/A

**CSI**  
 Concrete Systems Inc.  
 9 Commercial St., Hudson, NH, 03051  
 Phone 603-889-4163  
 Fax 603-889-2417

STATE AGENCY	
Drawn By	YAA
Date	03/15/2022
Reviewed By	MRS
Date	03/17/2022
Approved By	

STATE PROJECT NO. 23779.10	
STATE OF MAINE CULVERT REPLACEMENT STOCKTON SPRINGS U.S. ROUTE 1, ME	
D	INDIVIDUAL PIECE SHOP DRAWING B4
Quantity: 1	Project No: WIN 023779.10
REV 1	C24865-B4
SHEET 7	OF 8

<input checked="" type="checkbox"/>	NO EXCEPTION TAKEN
<input type="checkbox"/>	MAKE CORRECTIONS NOTED, NO RESUBMISSION REQUIRED
<input type="checkbox"/>	REVISE AND RESUBMIT
<input type="checkbox"/>	RESUBMIT CERTIFIED
<b>STANTEC CONSULTING SERVICES INC.</b>	
BY <b>sjwilliams</b>	DATE <b>4/26/2022</b>
<small>REVIEW BY STANTEC IS FOR THE SOLE PURPOSE OF ASCERTAINING GENERAL CONFORMITY WITH DESIGN. The review does not relieve the contractor of their responsibility for equipment design dimensions, fit, quality &amp; compliance with the contract documents nor for construction means, methods, techniques, and sequences and any errors or omissions in the shop drawings.</small>	

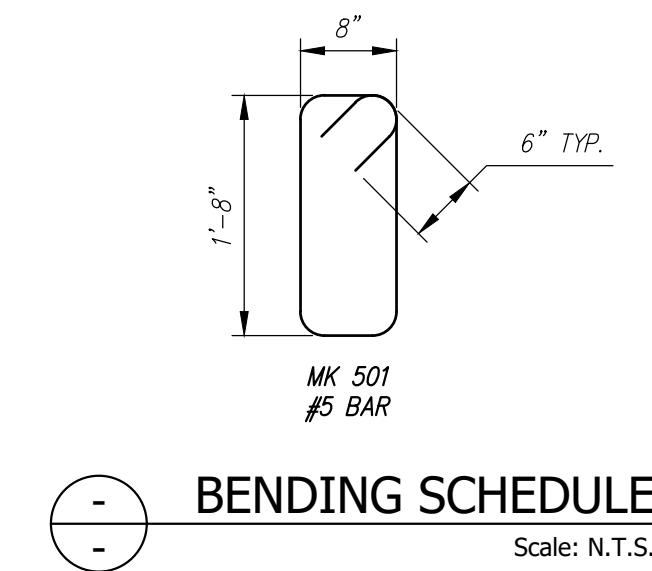
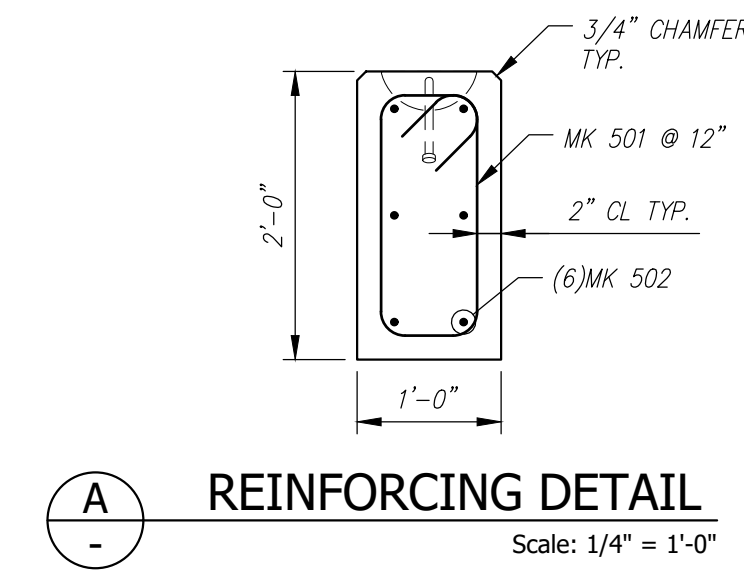


WEIGHT = 2.50 TONS

TW1 Rebar Schedule		
MK	QTY	LENGTH
501 #5	17	5' - 8"
502 #5	6	16' - 4"

TW1 - BILL OF MATERIALS / EMBEDS			
CSI ID#	DESCRIPTION	QTY	UM COMMENTS
EM-00115	8" UTILITY ANCHOR - GALVANIZED	2	EA ALP #LUA86G OR EQ.
RM-00015	REBAR #5 BLACK- GR 60	203	LB
MX-FA5000SCC3	MIX DESIGN - FLY ASH 5000 SELF COMPACTIN	1.23	CY

SHIP LOOSE  
(14) #8 X 24" LG



Contractor is to verify that all information shown on drawings has been thoroughly checked, complies with the contract documents and is adequate to meet the field conditions. Some dimensions and details may differ slightly from contract drawings to accommodate the manufacturing or design process. Approval of this drawing indicates that any deviation from the contract documents has been reviewed and found to be acceptable. Production will not commence until receipt of signed, approved shop drawings.

This drawing contains information proprietary to CONCRETE SYSTEMS, INC. This drawing is disclosed with the understanding that it will be retained in confidence and its use limited solely to the purpose for which it is disclosed. It is understood that no reproduction of this drawing is authorized without permission from CONCRETE SYSTEMS, INC. and that it will be returned to CONCRETE SYSTEMS, INC. upon request.

10			
9			
8			
7			
6			
5			
4			
3			
2			
1			
Rev.	Date	DESCRIPTION	By
REVISIONS			

This drawing is based upon information provided from the following documents and/or sources:

Engineer: MEDOT  
 Project No: N/A  
 Drawings: PLANS OF STOCKTON SPRINGS U.S. ROUTE 1 SHEETS 1 & 2  
 Specifications: SPECIAL PROVISION SECTION 534  
 Other Sources: N/A

**STATE AGENCY**  
MEDOT

**Concrete Systems Inc.**  
9 Commercial St., Hudson, NH, 03051  
Phone 603-889-4163  
Fax 603-889-2417

Drawn By YAA	Date 03/15/2022
Reviewed By MRS	Date 03/17/2022
Approved By	Date

STATE PROJECT NO. 23779.10

STATE OF MAINE  
CULVERT REPLACEMENT  
STOCKTON SPRINGS U.S. ROUTE 1, ME

<b>D</b>	INDIVIDUAL PIECE SHOP DRAWING TW1		REV 0
	Drawing No. C24865-TW1		
Quantity: 2	Project No: WIN 023779.10	SHEET 8 OF 8	