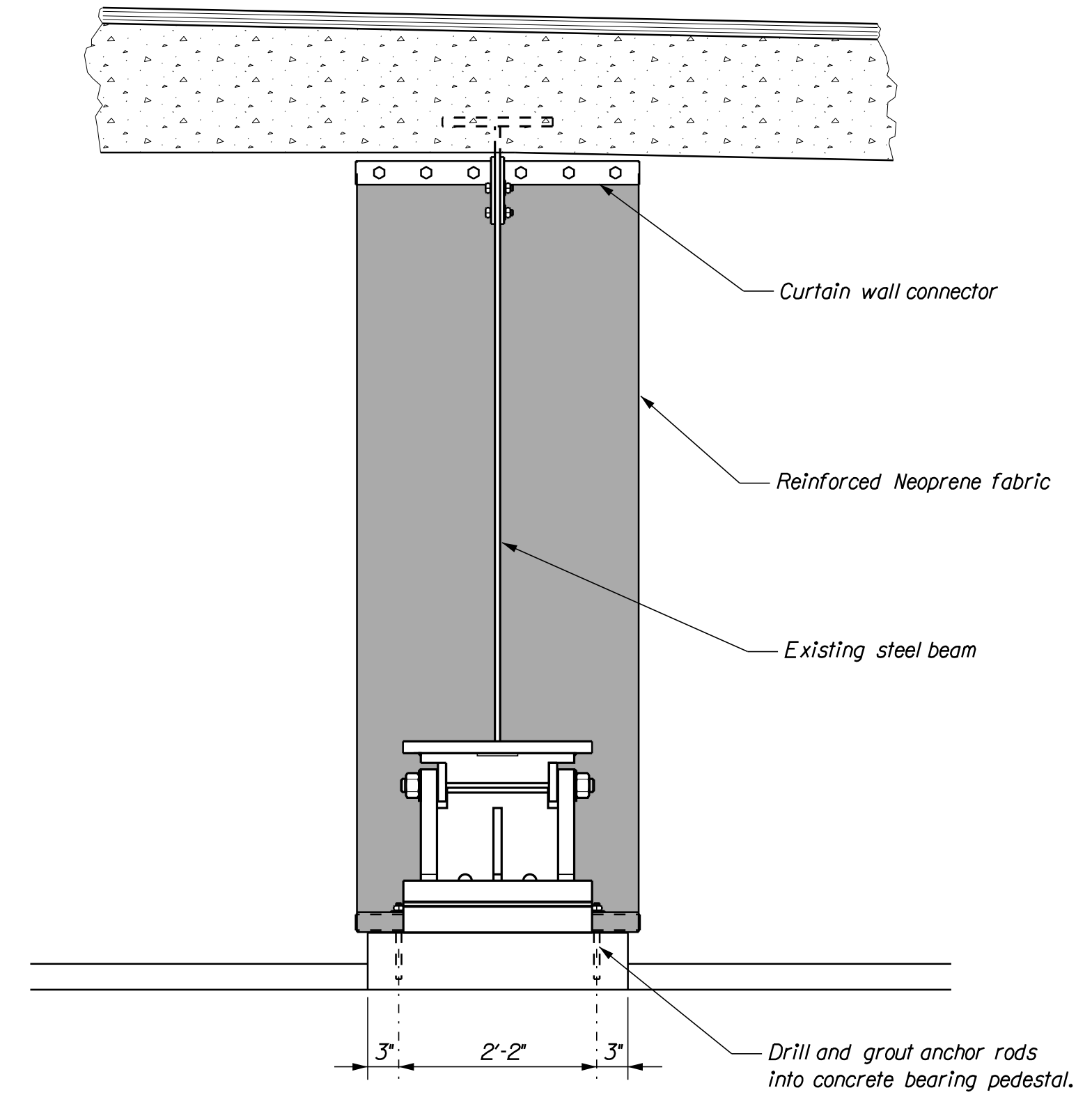
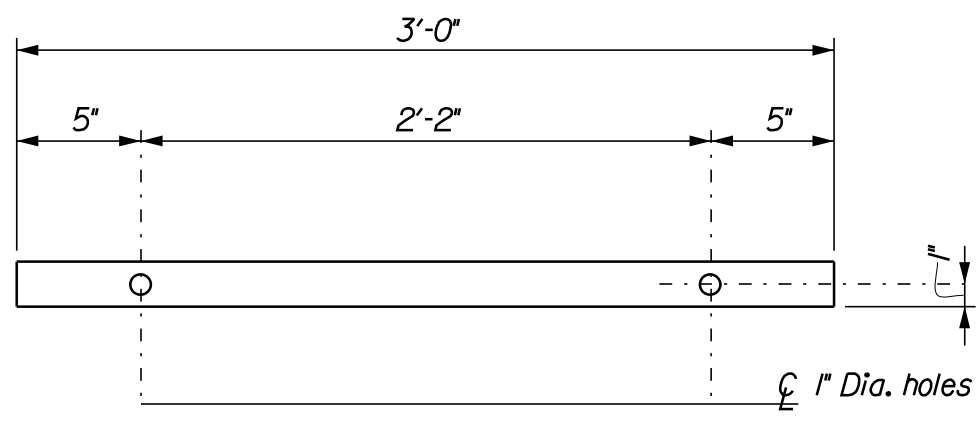


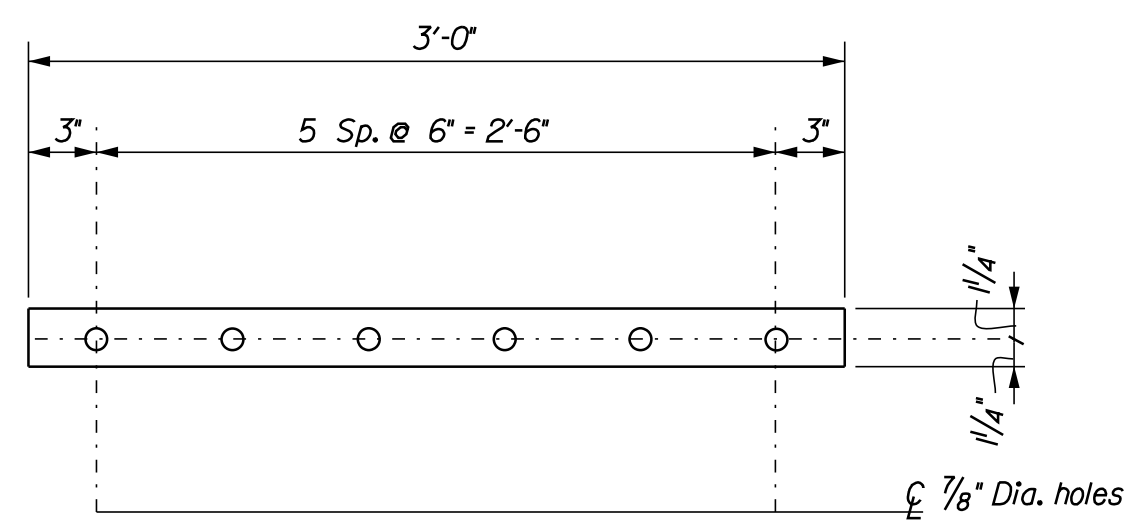
TYPICAL SECTION  
WESTERLY ABUTMENT BEAM ENDS



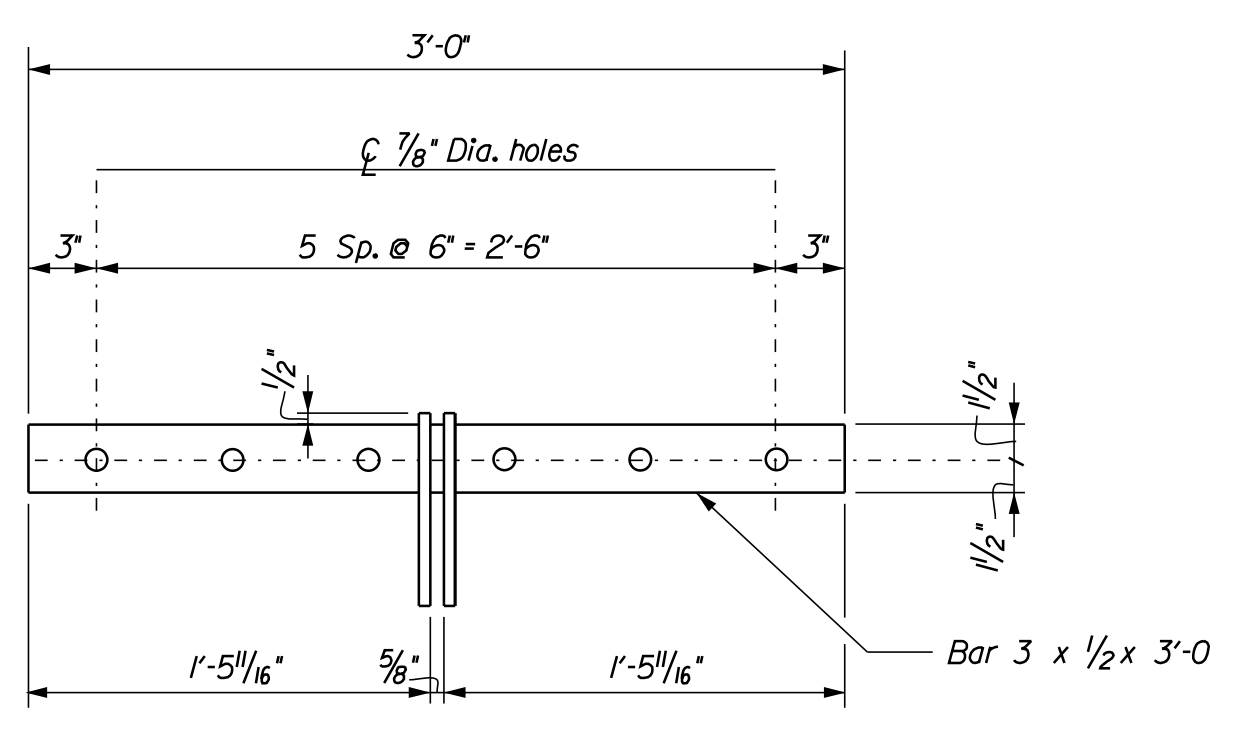
TYPICAL ELEVATION  
WESTERLY ABUTMENT BEAM ENDS



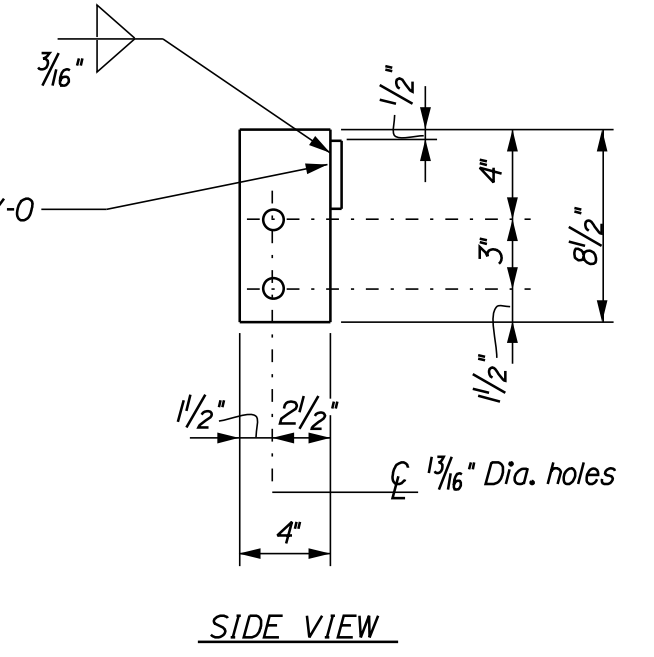
TS 2 x 2 x 1/4"  
(4 Req'd.)



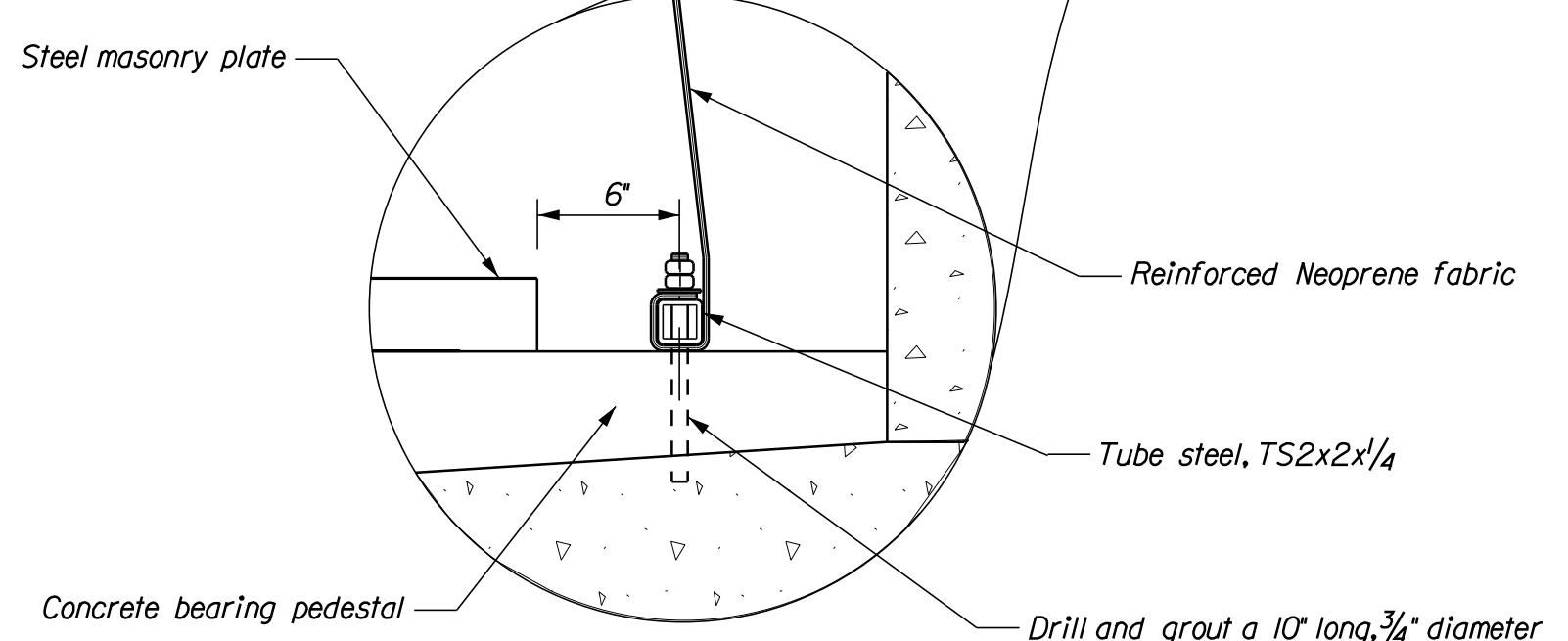
BAR 2 1/2 x 1/2 x 3'-0  
(4 Req'd.)



FRONT VIEW  
CURTAIN WALL CONNECTOR  
(4 Req'd.)



SIDE VIEW



Drill and grout a 10" long, 3/4" diameter  
ASTM A449 hot dipped galvanized  
threaded rod into concrete 6". Install  
tube steel, fabric, lock washer and two nuts.

LEGEND  
Section view of existing concrete

SCOPE OF WORK  
Drill and grout anchor bolts on all four bearing pedestals of westerly abutment. Drill two holes near top of all four beams of westerly abutment. Install Neoprene fabric beam end curtain at all four beams. Details as shown.

STATE OF MAINE  
DEPARTMENT OF TRANSPORTATION  
EWING NARROWS BRIDGE  
OVER  
EWING NARROWS  
IN THE TOWN OF  
HARSPWELL  
CUMBERLAND COUNTY  
BEAM END CURTAINS

Date: 5/17/2022

Username: Judy.Harden

Division: HIGHWAY

Filename: ... \harpswell6217.dgn

PROJECT DESIGN ENGINEER	DATE
BY: LSBanner	8/2009
DESIGN-DETAILED	
CHECKED	
REVISIONS	
FIELD CHANGES	

PLANS