



STATE OF MAINE
DEPARTMENT OF TRANSPORTATION
16 STATE HOUSE STATION
AUGUSTA, MAINE 04333-0016

Janet T. Mills
GOVERNOR

Bruce A. Van Note
COMMISSIONER

October 1, 2020
Subject: Pleasant River Bridge
Replacement
State WIN: 022627.01
Location: **Milo**
Amendment No. 1

Dear Sir/Ms.:

Please make the following changes to the Bid Documents:

In the Plan Set:

ADD the attached NOSE ARMOR DETAIL to SHEET NUMBER 73 OF 91, PIER NOTES.

CHANGE on SHEET NUMBER 84 OF 91, BRIDGE DRAIN DETAILS, SECTION A-A, the "12" Downspout" to read "**10-inch Downspout**". Make this change in pen and ink.

CHANGE On SHEET NUMBER 84 OF 91, BRIDGE DRAIN DETAILS, the clearance from the curb to the edge of the drain from "3 inches" to read "**4 inches**". Make this change in pen and ink.

The following questions have been received:

Question: A 12" dia downspout will not fit on a type E Scupper, Max is 10" dia.

Response: See above pen and ink changes to SHEET NUMBER 84 OF 91, BRIDGE DRAIN DETAILS.

Question: The scupper detail does not appear to be drawn to scale? When we laid out a type E scupper with a 10" dia downspout, it only allowed 5/16" clearance between the downspout OD and the beam flange. The MDOT drawing shows 2-5/8" using a 12" dia downspout?

Response: See above pen and ink changes to SHEET NUMBER 84 OF 91, BRIDGE DRAIN DETAILS. This will increase the clearance between the drain downspout and the flange to provide a minimum of 1-inch clearance.

Question: The pier notes specify a Nose Armor, including anchor studs. Please provide a detail on the Nose Armor to be provided.

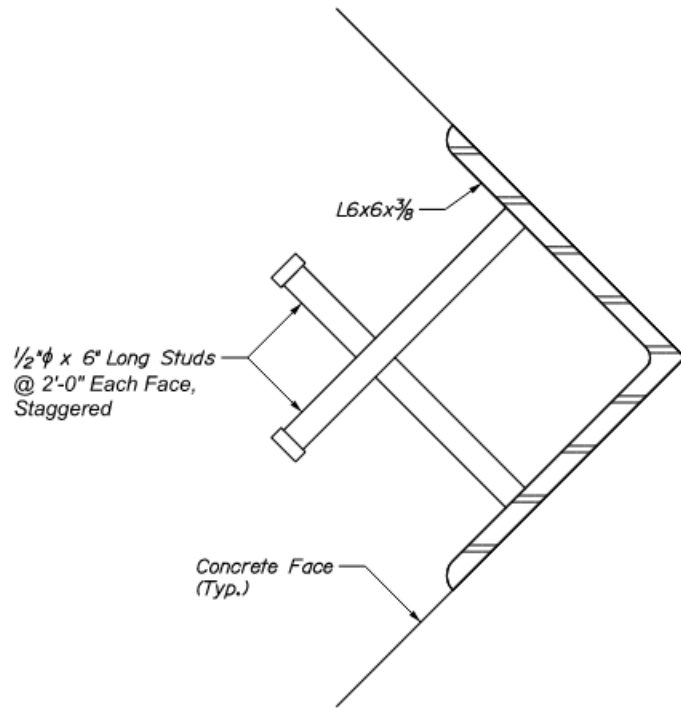
Response: The attached detail shall be added to Sheet 73 of 91 of the plans.

Consider these changes and information prior to submitting your bid on **October 7, 2020**.

Sincerely,



George M. A. Macdougall P.E.
Contracts & Specifications Engineer



NOSE ARMOR DETAIL