



STATE OF MAINE  
DEPARTMENT OF TRANSPORTATION  
16 STATE HOUSE STATION  
AUGUSTA, MAINE 04333-0016

Paul R. LePage  
GOVERNOR

David Bernhardt  
COMMISSIONER

July 17, 2018  
Subject: Wharf Infill & Building  
Removal  
State WIN: 021942.06  
Location: **Portland**  
**Amendment No. 2**

Dear Sir/Ms.:

Please make the following changes to the Bid Documents:

In the Bid Book:

On page 14, Notice to Contractors, in the first paragraph, **CHANGE** the bid opening date from "July 25, 2018", to read "**August 22, 2018**". Make this change in pen and ink.

On page 47, SPECIAL PROVISION – SECTION 102 – BIDDING – (Pre-Bid Meeting), **CHANGE** the date for the Pre-Bid Meeting from "July 18, 2018", to read "**August 8, 2018**". Make this change in pen and ink.

**ADD** the attached Utility Pole and Foundation Detail, 1 page.

In the Plan Set:

On SHEET NUMBER 18 OF 21, APPROACH SLAB DETAILS, in Section A-A (and the Approach Slab Plan immediately above it), **DELETE** the text "Top and Bottom" from the #4 bar call-out. Make this change in pen and ink.

The following questions have been received:

**Question:** The approach slab sections on S05 differ.

**Response:** See above changes.

**Question:** What is the correct bar size for the bottom longitudinal bar, #4 or #8?

**Response:** Bottom bars in the approach slab shall be #8.



PRINTED ON RECYCLED PAPER

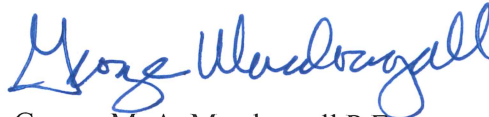
**Question:** Special Specifications Section 634, Highway Lighting 634.01 Item 10 calls for a new 30' aluminum pole and concrete base. Can you please provide specifications for the pole and base?

**Response:** The pole shall be a 12-inch diameter pole, straight shaft steel ASTM 513 of 0.25-inch thickness (min.), which conforms to the MaineDOT Standard Specification Section 707 – Metallic Pipe. The pole shall be galvanized and shall have one handhole opening of approximately 4 inches by 6 inches located 24 inches from the base of the pole.

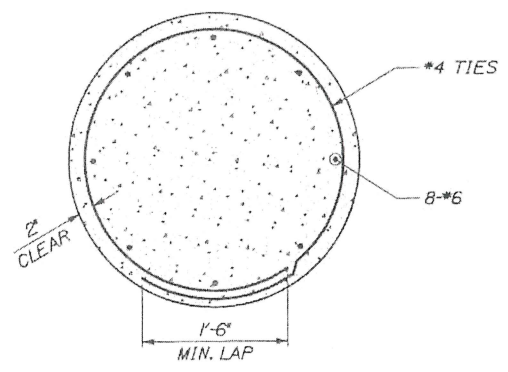
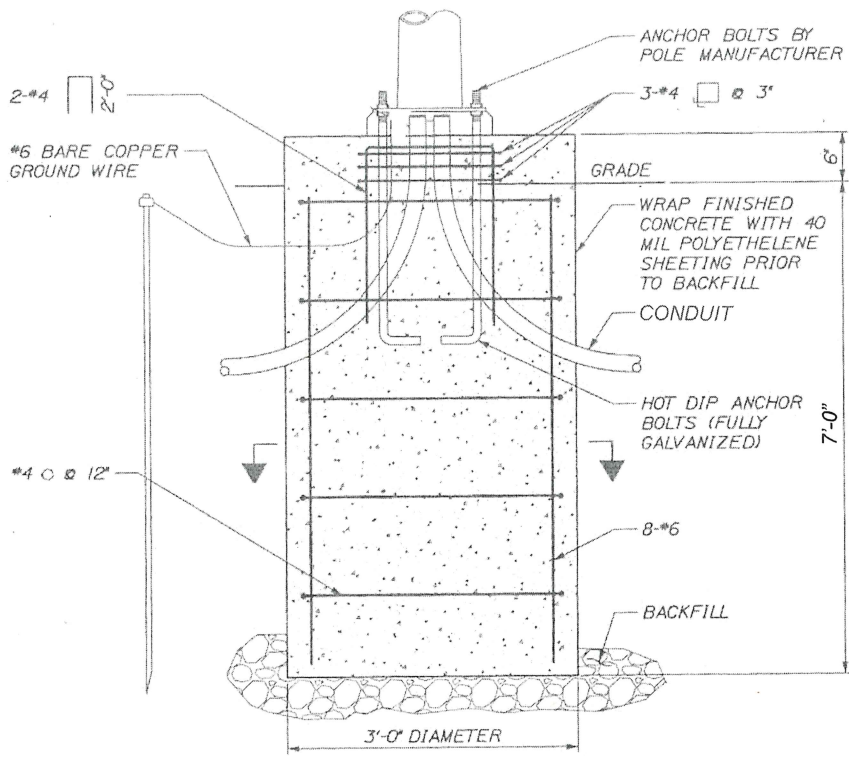
The concrete base shall be a 36-inch diameter foundation with the dimensions and details as shown in the attached sketch. The foundation shall be fabricated and installed in accordance with the MaineDOT Standard Specification Section 626 – Foundations, Conduit, and Junction Boxes for Highway Signing, Lighting, and Signals.

Consider these changes and information prior to submitting your bid on **August 22, 2018**.

Sincerely,



George M. A. Macdougall P.E.  
Contracts & Specifications Engineer



UTILITY POLE AND FOUNDATION DETAIL  
N.T.S.