



STATE OF MAINE  
DEPARTMENT OF TRANSPORTATION  
16 STATE HOUSE STATION  
AUGUSTA, MAINE 04333-0016

Janet T. Mills  
GOVERNOR

Bruce A. Van Note  
COMMISSIONER

April 10, 2023  
Subject: Highway Reconstruction  
State WIN: 020421.00  
Location: **Van Buren**  
**Amendment No. 2**

Dear Sir/Ms.:

The following question has been received:

**Question:** Are there any shop drawings available for the box culverts?

**Response:** Shop drawings for the State supplied box culverts have been posted to the MaineDOT web site.

Consider these changes and information prior to submitting your bid on **April 12, 2023**.

Sincerely,

*Kevin Hanlon* For

George M. A. Macdougall P.E.  
Contracts & Specifications Engineer

# OVERALL



American Concrete Industries

1717 STILLWATER AVE. VEAZIE, ME. 04401

TEL: 207-947-8334

FAX: 207-947-3580

WWW.AMERICANCONCRETE.COM

## BILL OF MATERIALS

ITEM	QTY	DESCRIPTION	WEIGHT# EA
1	1	UPSTREAM END TOP	9,335
2	1	UPSTREAM END BOTTOM	10,960
3	11	MID SECTION TOP	9,100
4	11	MID SECTION BOTTOM	10,695
5	1	DOWNSTREAM END TOP	8,870
6	1	DOWNSTREAM END BOTTOM	10,420
7	2	1' x 2' x 8'-4" TOEWALL	2,195
8	10	#8 x 18" TOEWALL PIN (SHIPPED LOOSE)	

### DESIGN NOTES:

- Concrete**
  - 1.1. COMP. STRENGTH MIN. 5,000PSI @ 28 DAYS
  - 1.2. AIR-ENTRAINMENT: 5.5% MIN - 7.5% MAX
- Structural Reinforcement:**
  - 2.1. BAR PER ASTM A615, GRADE 60
  - 2.2. WWF PER ASTM A1064, GRADE 75
  - 2.3. SUPPLEMENTAL REINFORCING AS SHOWN (WHEN REQUIRED.)
  - 2.4. DESIGNED FOR 125% HL-93 WHEEL LOAD RATING
  - 2.5. 2" CLR EXT., 1 1/2" CLR INT. UNLESS NOTED OTHERWISE
- Manufacturing / Installation:**
  - 3.1. JOINTS SEALED WITH BUTYL RUBBER SEALANT.
  - 3.2. ALL JOINTS FILLED W/ NON-SHRINK GROUT AFTER INSTALLATION.
- Soil / Fill Requirements:**

MINIMUM ALLOWABLE FILL: 5.75'

MAXIMUM ALLOWABLE FILL: 6.25'

**NOTE:** Some details not shown for clarity.  
**SCALE:** 1/8" = 1'-0" Unless noted otherwise.

STRUCTURE NAME:  
 CULVERT 5: 6' x 6' x 93' (STA. 140+76)

JOB NAME:  
 US ROUTE 1 (WIN 20421.10)

LOCATION:  
 VAN BUREN, ME

CONTRACTOR:  
 ME DOT

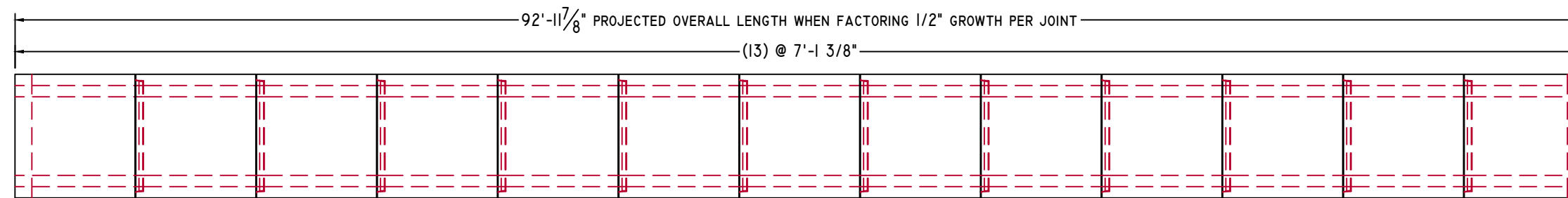
DRAWN BY:  
 SSM

DATE:  
 02/03/2023

REV.#:  
 0.00

DATE:  
 02/03/2023

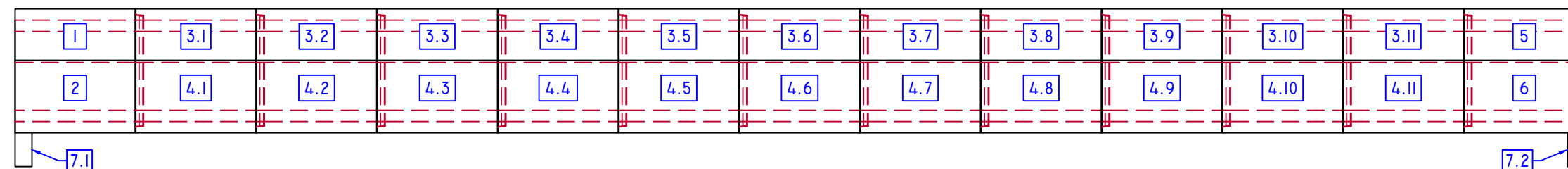
C5.0



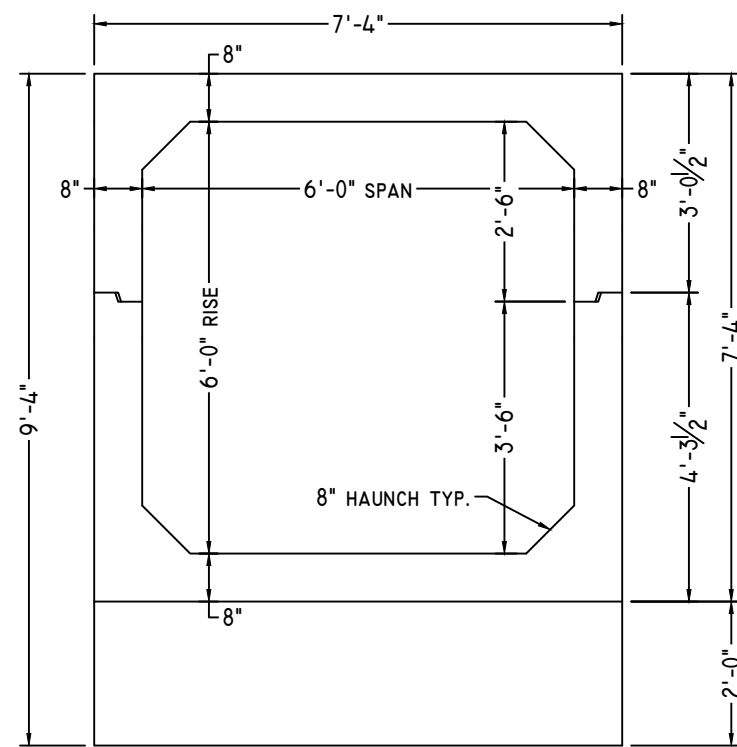
B

A

PLAN VIEW

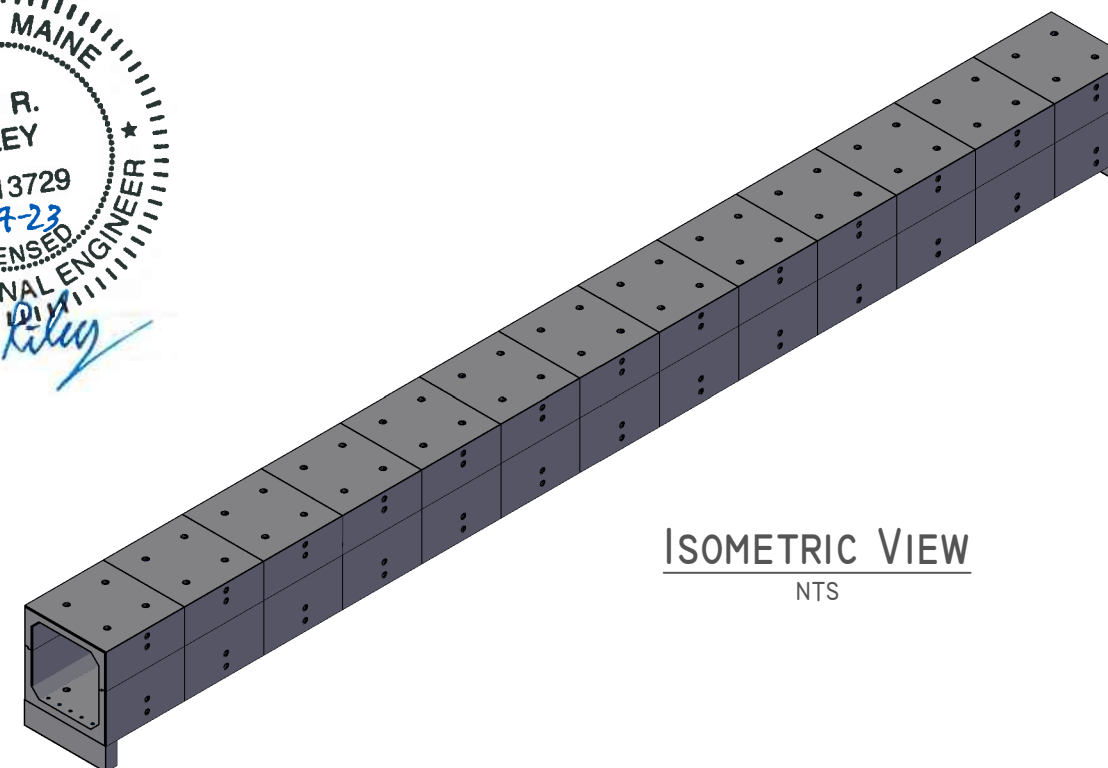
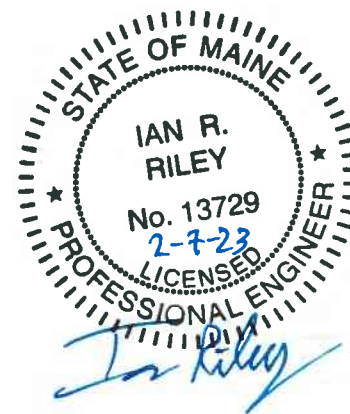


ELEVATION-A



ELEVATION-B

3/8" = 1'-0"



ISOMETRIC VIEW

NTS

# UPSTREAM END



American Concrete Industries

1717 STILLWATER AVE. VEAZIE, ME. 04401

TEL: 207-947-8334

FAX: 207-947-3580

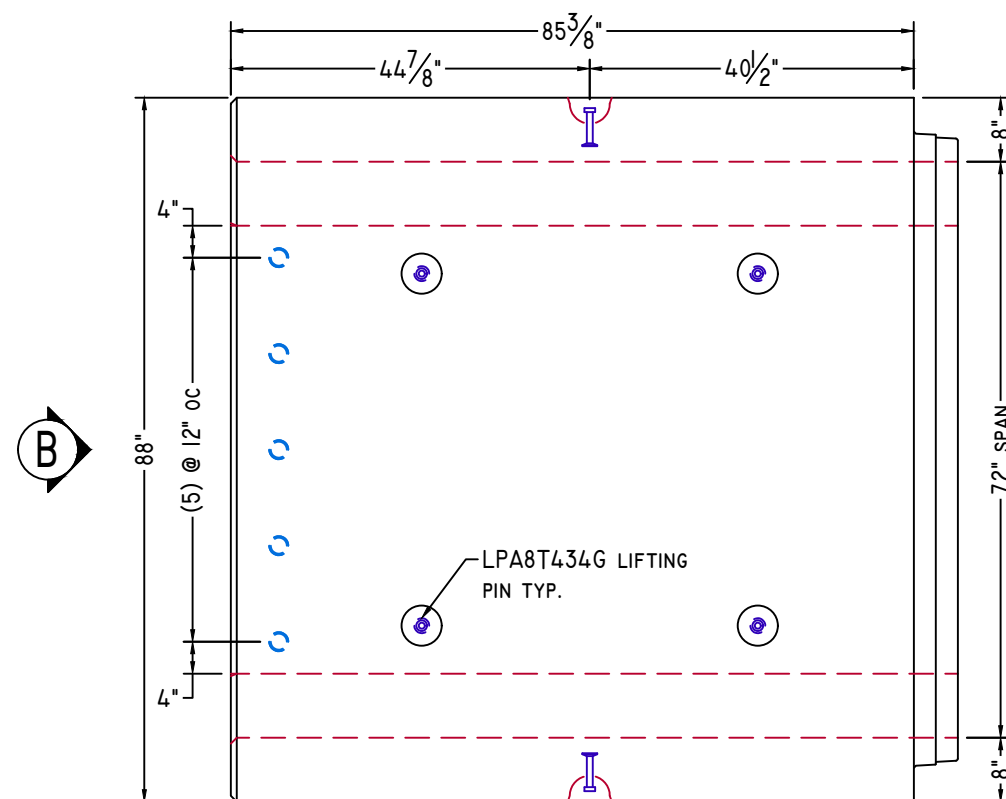
WWW.AMERICANCONCRETE.COM

## BILL OF MATERIALS

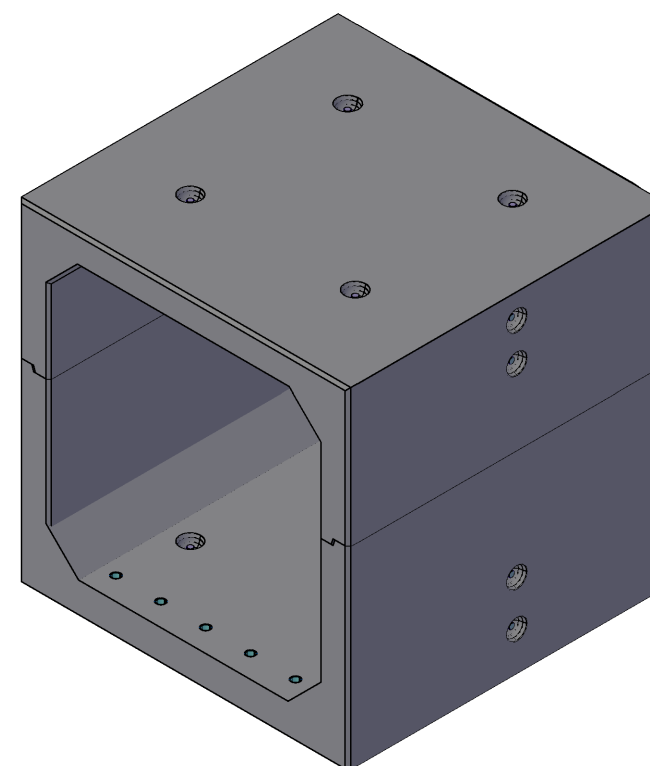
ITEM	QTY	DESCRIPTION	WEIGHT# EA
1	1	UPSTREAM END TOP	9,335
2	1	UPSTREAM END BOTTOM	10,960

### DESIGN NOTES:

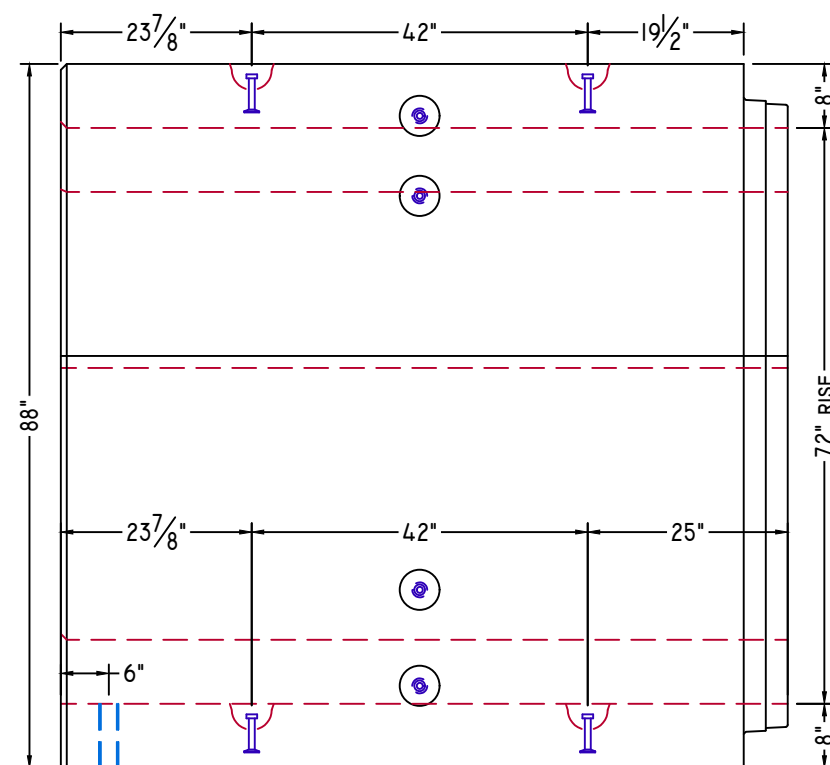
1. **Concrete**
  - 1.1. COMP. STRENGTH MIN. 5,000PSI @ 28 DAYS
  - 1.2. AIR-ENTRAINMENT: 5.5% MIN - 7.5% MAX
2. **Structural Reinforcement:**
  - 2.1. BAR PER ASTM A615, GRADE 60
  - 2.2. WWF PER ASTM A1064, GRADE 75
  - 2.3. SUPPLEMENTAL REINFORCING AS SHOWN (WHEN REQUIRED.)
  - 2.4. DESIGNED FOR 125% HL-93 WHEEL LOAD RATING
  - 2.5. 2" CLR EXT., 1 1/2" CLR INT. UNLESS NOTED OTHERWISE
3. **Manufacturing / Installation:**
  - 3.1. JOINTS SEALED WITH BUTYL RUBBER SEALANT.
  - 3.2. ALL JOINTS FILLED W/ NON-SHRINK GROUT AFTER INSTALLATION.
4. **Soil / Fill Requirements:**
  - MINIMUM ALLOWABLE FILL: 5.75'
  - MAXIMUM ALLOWABLE FILL: 6.25'



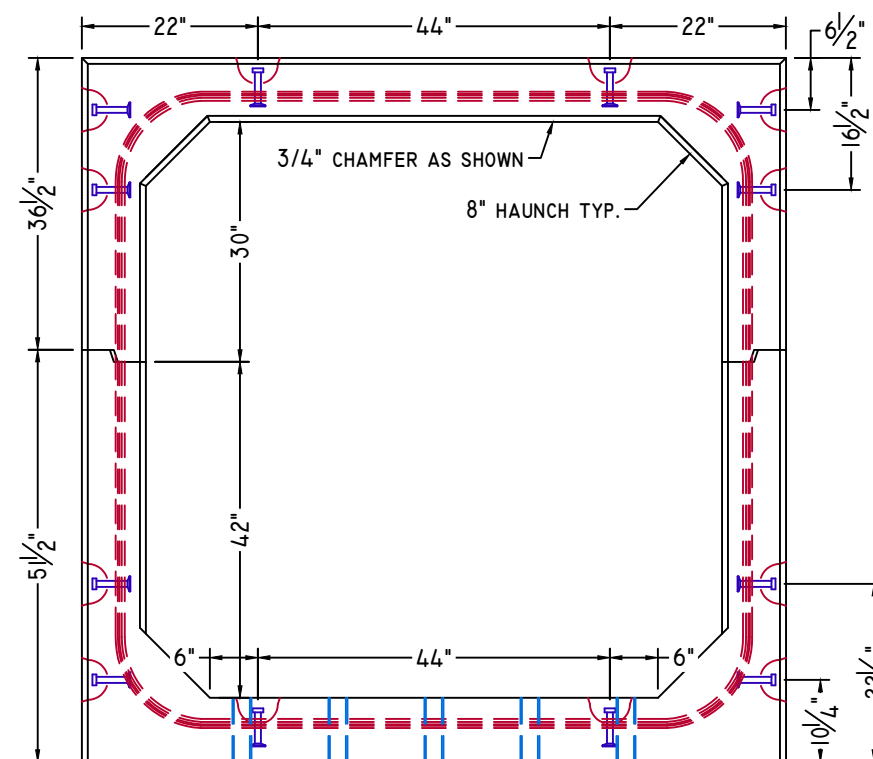
**PLAN VIEW**



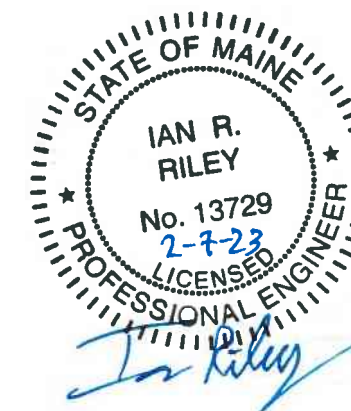
**ISOMETRIC VIEW**  
NTS



**ELEVATION-A**



**ELEVATION-B**



**NOTE:** Some details not shown for clarity.  
**SCALE:** 1/2" = 1'-0" Unless noted otherwise.

STRUCTURE NAME:  
CULVERT 5: 6' x 6' x 93' (STA. 140+76)

JOB NAME:  
US ROUTE I (WIN 20421.10)

LOCATION:  
VAN BUREN, ME

CONTRACTOR:  
ME DOT

DRAWN BY: SSM  
DATE: 02/03/2023

REV.#: 0.00  
DATE: 02/03/2023

**C5.1**

# MID SECTION

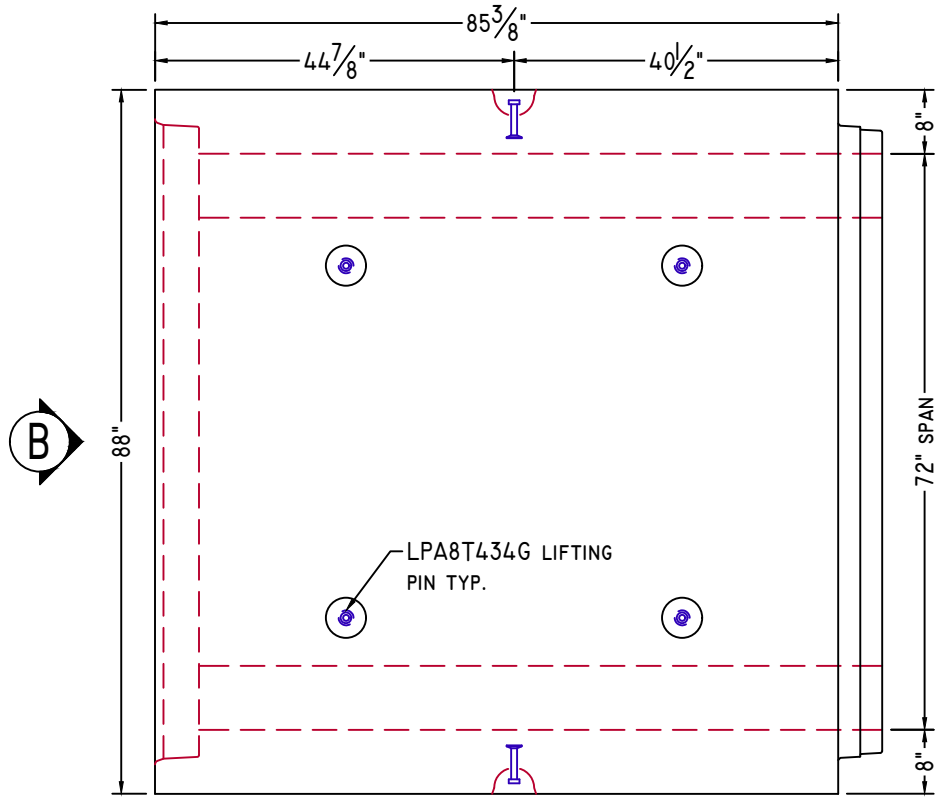


**American Concrete Industries**  
 1717 STILLWATER AVE. VEAZIE, ME. 04401  
 TEL: 207-947-8334  
 FAX: 207-947-3580  
 WWW.AMERICANCONCRETE.COM

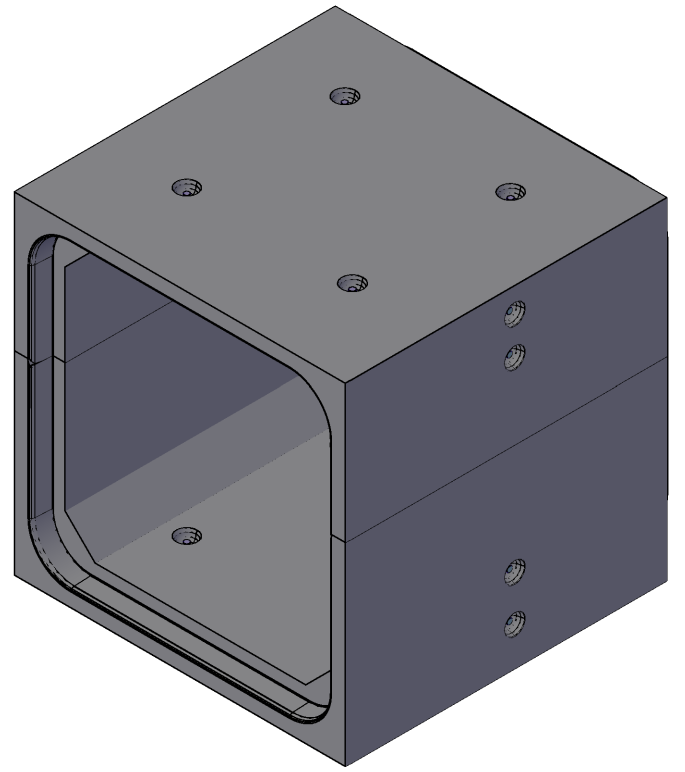
## BILL OF MATERIALS

ITEM	QTY	DESCRIPTION	WEIGHT# EA
3	II	MID SECTION TOP	9,100
4	II	MID SECTION BOTTOM	10,695

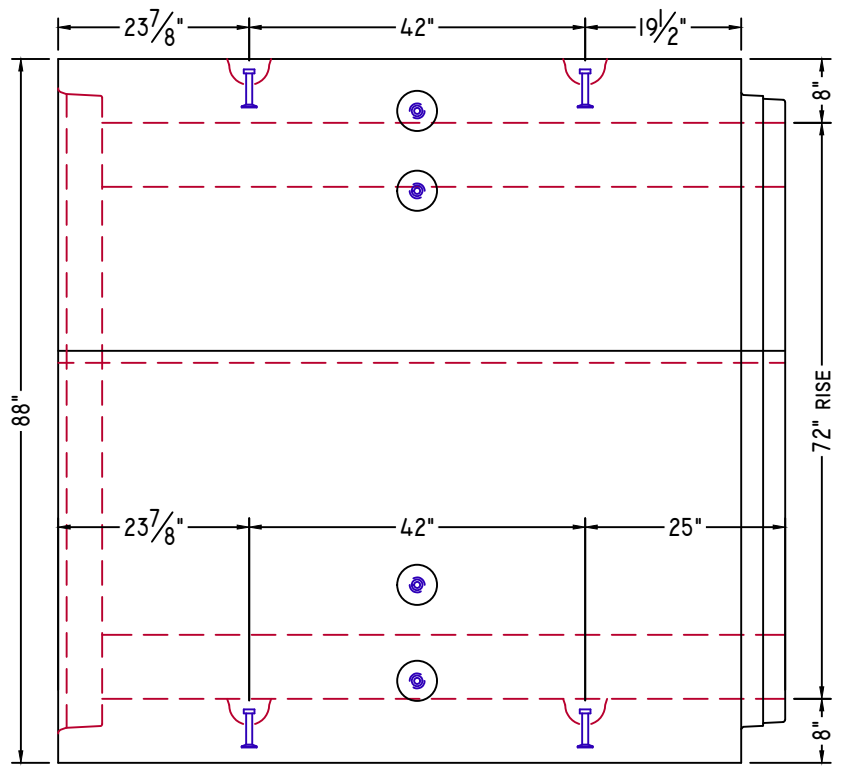
- DESIGN NOTES:**
- Concrete**
    - 1.1. COMP. STRENGTH MIN. 5,000PSI @ 28 DAYS
    - 1.2. AIR-ENTRAINMENT: 5.5% MIN - 7.5% MAX
  - Structural Reinforcement:**
    - 2.1. BAR PER ASTM A615, GRADE 60
    - 2.2. WWF PER ASTM A1064, GRADE 75
    - 2.3. SUPPLEMENTAL REINFORCING AS SHOWN (WHEN REQUIRED.)
    - 2.4. DESIGNED FOR 125% HL-93 WHEEL LOAD RATING
    - 2.5. 2" CLR EXT., 1 1/2" CLR INT. UNLESS NOTED OTHERWISE
  - Manufacturing / Installation:**
    - 3.1. JOINTS SEALED WITH BUTYL RUBBER SEALANT.
    - 3.2. ALL JOINTS FILLED W/ NON-SHRINK GROUT AFTER INSTALLATION.
  - Soil / Fill Requirements:**
    - 4.1. MINIMUM ALLOWABLE FILL: 5.75'
    - 4.2. MAXIMUM ALLOWABLE FILL: 6.25'



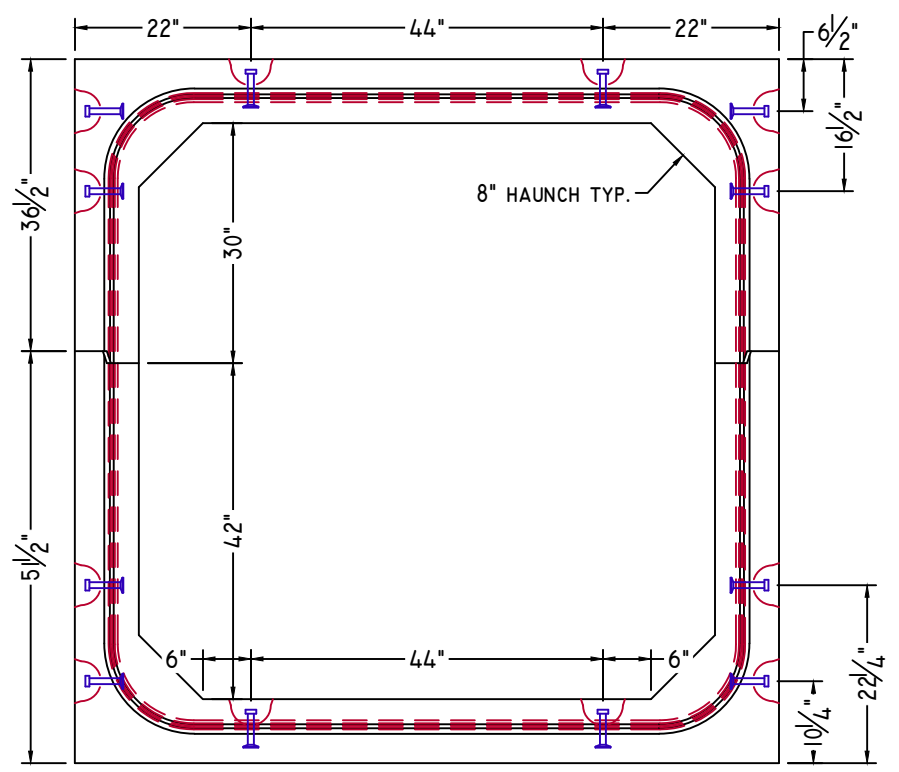
**PLAN VIEW**



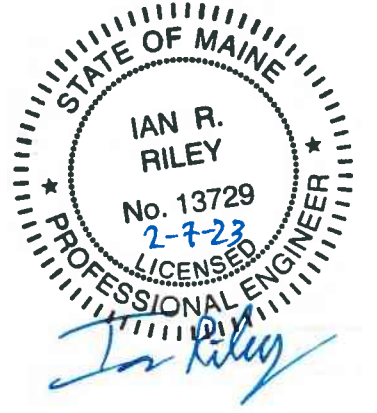
**ISOMETRIC VIEW**  
NTS



**ELEVATION-A**



**ELEVATION-B**



**NOTE:** Some details not shown for clarity.  
**SCALE:** 1/2" = 1'-0" Unless noted otherwise.

**STRUCTURE NAME:** CULVERT 5: 6' x 6' x 93' (STA. 140+76)  
**JOB NAME:** US ROUTE I (WIN 20421.10)  
**LOCATION:** VAN BUREN, ME  
**CONTRACTOR:** ME DOT

<b>DRAWN BY:</b> SSM	<b>DATE:</b> 02/03/2023
<b>REV.#:</b> 0.00	<b>DATE:</b> 02/03/2023

**C5.2**

# DOWNSTREAM END



American Concrete Industries

1717 STILLWATER AVE. VEAZIE, ME. 04401

TEL: 207-947-8334

FAX: 207-947-3580

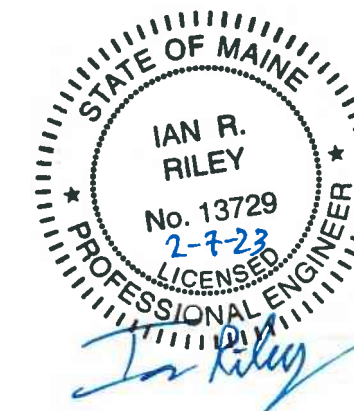
WWW.AMERICANCONCRETE.COM

## BILL OF MATERIALS

ITEM	QTY	DESCRIPTION	WEIGHT# EA
5	1	DOWNSTREAM END TOP	8,870
6	1	DOWNSTREAM END BOTTOM	10,420

### DESIGN NOTES:

1. **Concrete**
  - 1.1. COMP. STRENGTH MIN. 5,000PSI @ 28 DAYS
  - 1.2. AIR-ENTRAINMENT: 5.5% MIN - 7.5% MAX
2. **Structural Reinforcement:**
  - 2.1. BAR PER ASTM A615, GRADE 60
  - 2.2. WWF PER ASTM A1064, GRADE 75
  - 2.3. SUPPLEMENTAL REINFORCING AS SHOWN (WHEN REQUIRED.)
  - 2.4. DESIGNED FOR 125% HL-93 WHEEL LOAD RATING
  - 2.5. 2" CLR EXT., 1 1/2" CLR INT. UNLESS NOTED OTHERWISE
3. **Manufacturing / Installation:**
  - 3.1. JOINTS SEALED WITH BUTYL RUBBER SEALANT.
  - 3.2. ALL JOINTS FILLED W/ NON-SHRINK GROUT AFTER INSTALLATION.
4. **Soil / Fill Requirements:**
  - MINIMUM ALLOWABLE FILL: 5.75'
  - MAXIMUM ALLOWABLE FILL: 6.25'



NOTE: Some details not shown for clarity.

SCALE: 1/2" = 1'-0" Unless noted otherwise.

STRUCTURE NAME:  
CULVERT 5: 6' x 6' x 93' (STA. 140+76)

JOB NAME:  
US ROUTE I (WIN 20421.10)

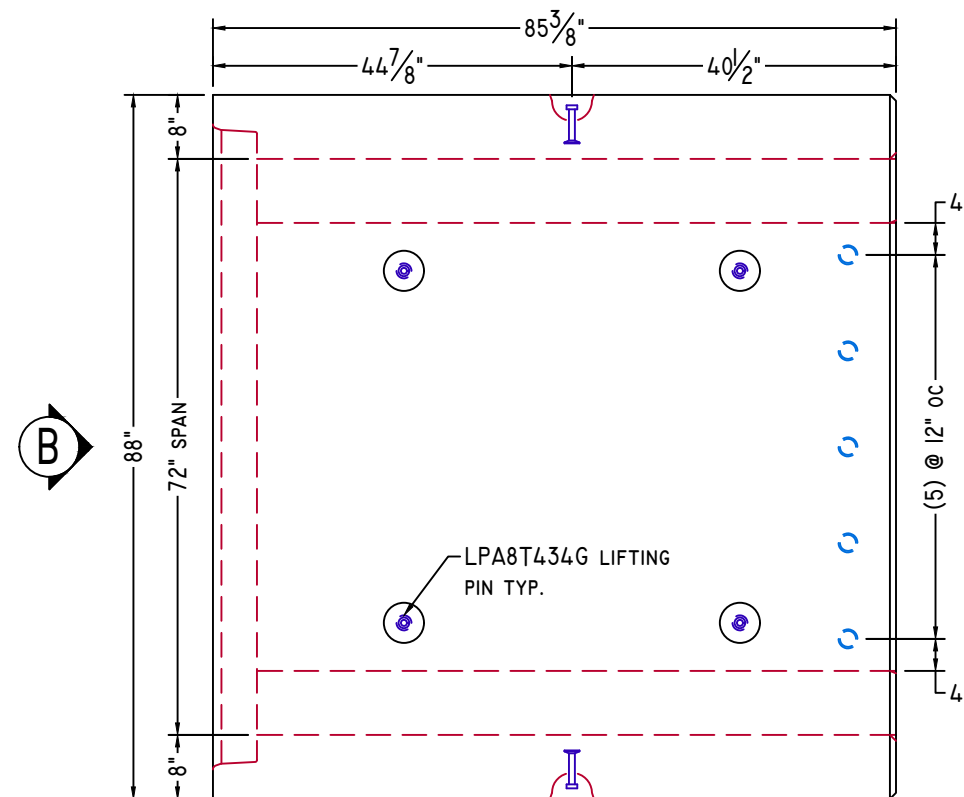
LOCATION:  
VAN BUREN, ME

CONTRACTOR:  
ME DOT

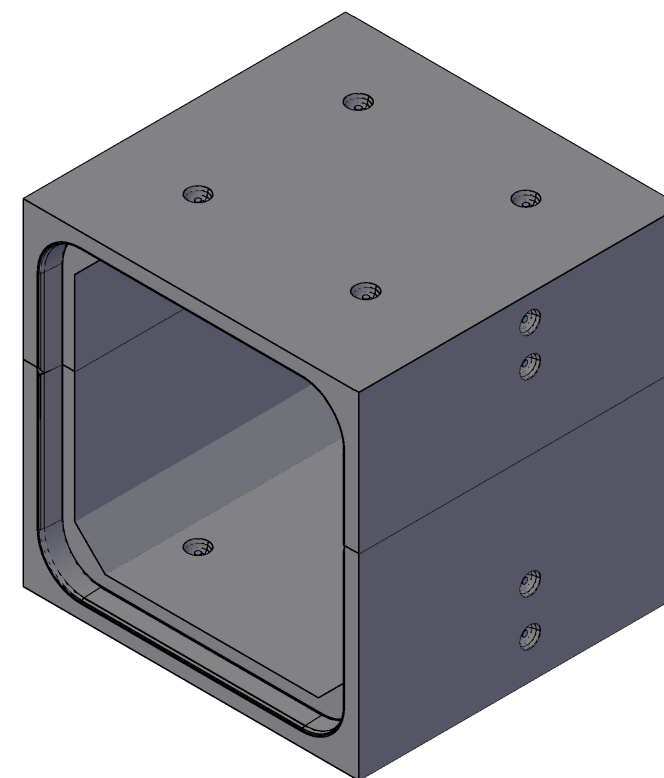
DRAWN BY: SSM  
DATE: 02/03/2023

REV.#: 0.00  
DATE: 02/03/2023

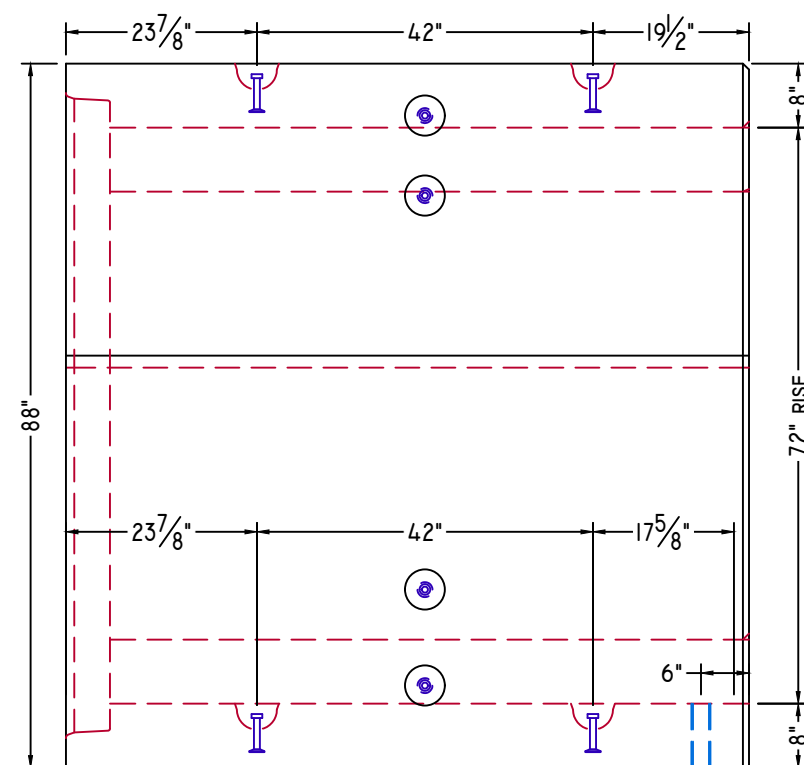
C5.3



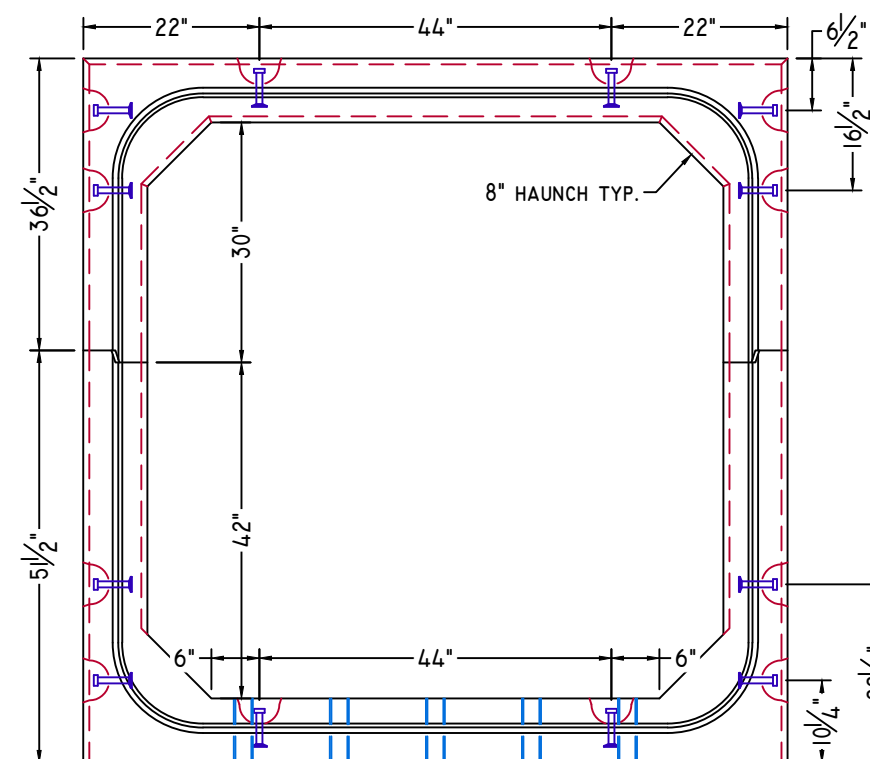
**PLAN VIEW**



**ISOMETRIC VIEW**  
NTS



**ELEVATION-A**



**ELEVATION-B**

# STANDARD DETAILS



American Concrete Industries

1717 STILLWATER AVE. VEAZIE, ME. 04401

TEL: 207-947-8334

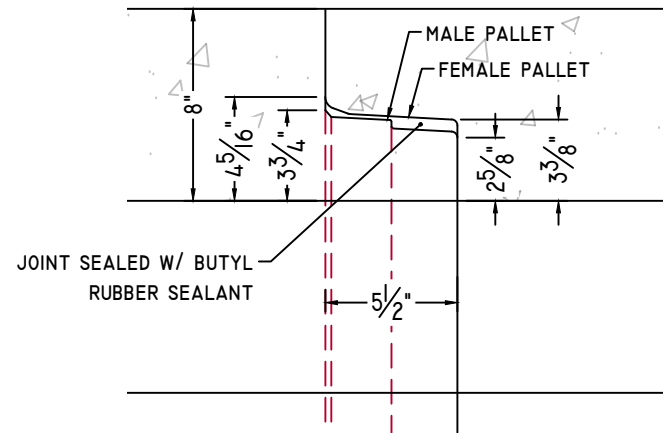
FAX: 207-947-3580

WWW.AMERICANCONCRETE.COM

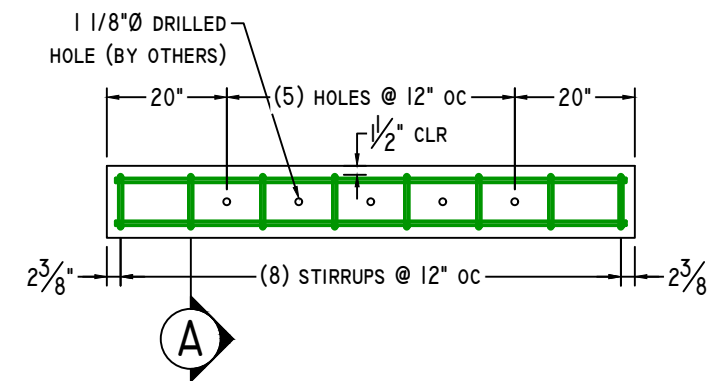
## BILL OF MATERIALS

ITEM	QTY	DESCRIPTION	WEIGHT# EA
------	-----	-------------	------------

INTENTIONALLY LEFT BLANK

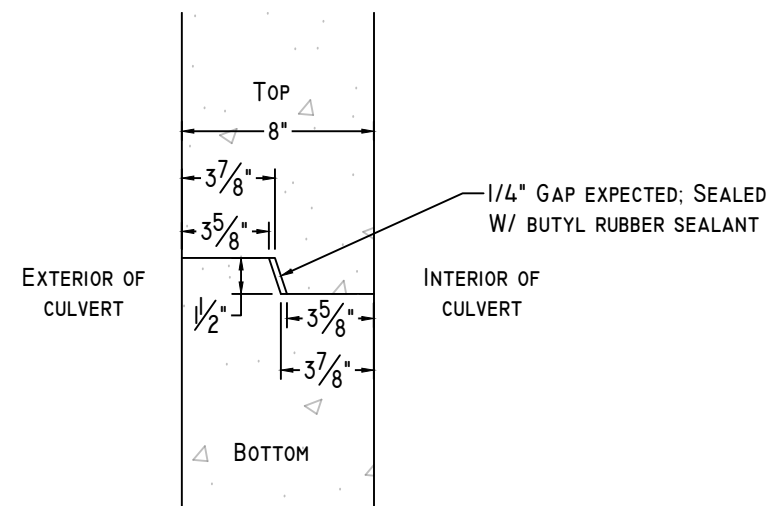


CULVERT JOINT DETAIL

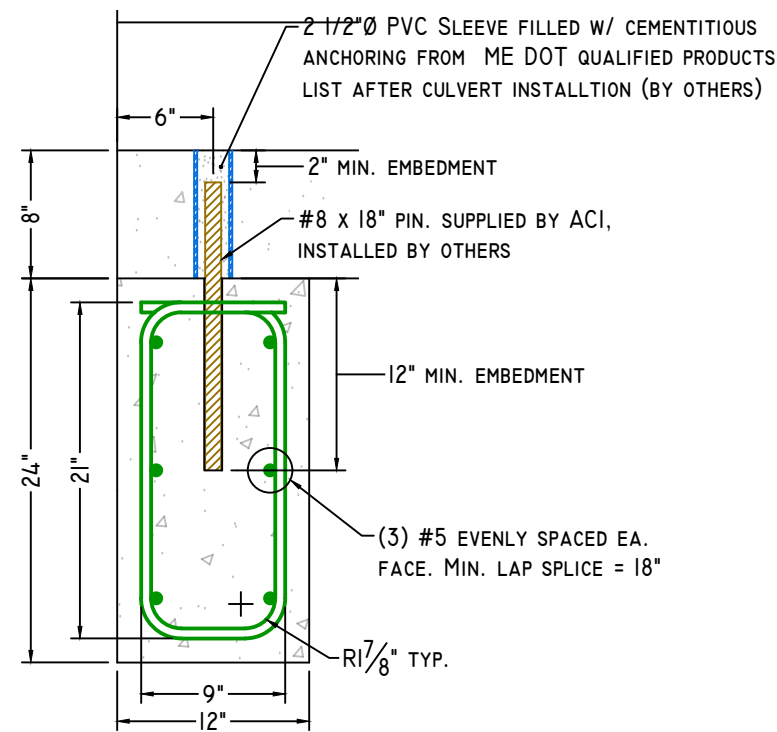


TOEWALL DETAIL

3/8" = 1'-0"

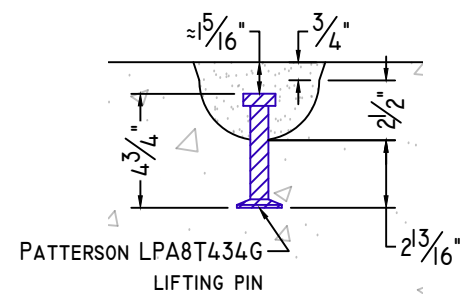


CLAMSHELL JOINT DETAIL

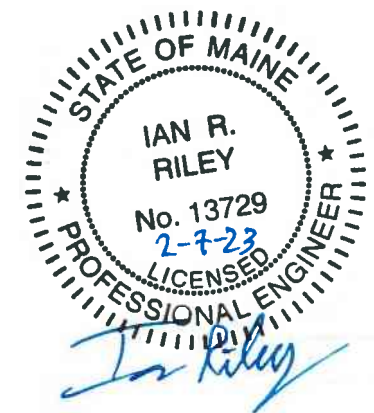


SECTION-A

1" = 1'-0"



8T 4 3/4" LIFTING PIN DETAIL



NOTE: Some details not shown for clarity.  
SCALE: 1 1/2" = 1'-0" Unless noted otherwise.

STRUCTURE NAME: CULVERT 5: 6' x 6' x 93' (STA. 140+76)	
JOB NAME: US ROUTE I (WIN 20421.10)	
LOCATION: VAN BUREN, ME	
CONTRACTOR: ME DOT	

DRAWN BY: SSM	DATE: 02/03/2023
REV.#: 0.00	DATE: 02/03/2023

D5.0

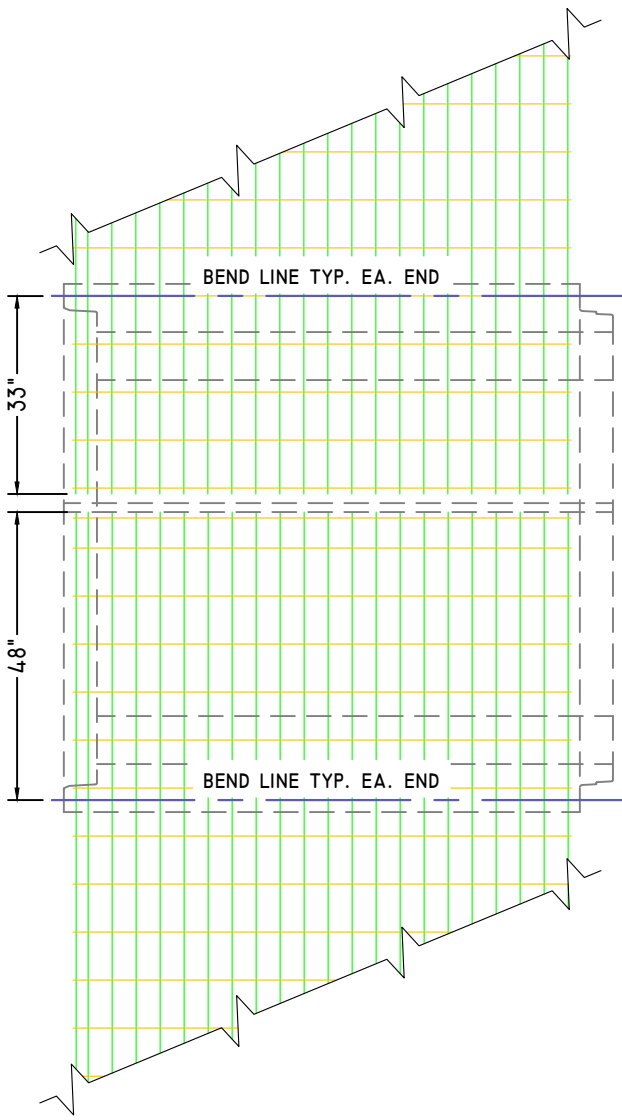
# WELDED WIRE DETAILS



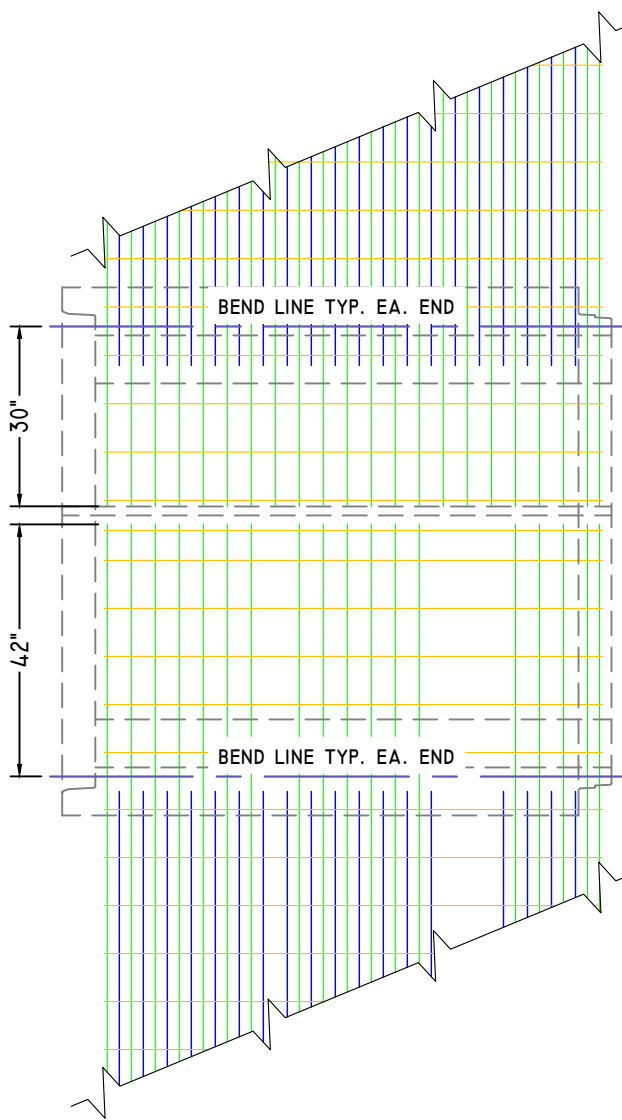
American Concrete Industries  
 1717 STILLWATER AVE. VEAZIE, ME. 04401  
 TEL: 207-947-8334  
 FAX: 207-947-3580  
 WWW.AMERICANCONCRETE.COM

## BILL OF MATERIALS

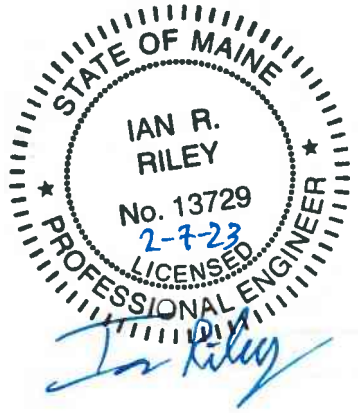
ITEM	QTY	DESCRIPTION	WEIGHT# EA
INTENTIONALLY LEFT BLANK			



ALL SECTIONS, EXTERIOR



ALL SECTIONS, INTERIOR



NOTE: Some details not shown for clarity.  
 SCALE: 3/8" = 1'-0" Unless noted otherwise.

STRUCTURE NAME:	CULVERT 5: 6' x 6' x 93' (STA. 140+76)
JOB NAME:	US ROUTE 1 (WIN 20421.10)
LOCATION:	VAN BUREN, ME
CONTRACTOR:	ME DOT

DRAWN BY:	DATE:
SSM	02/03/2023
REV.#:	DATE:
0.00	02/03/2023

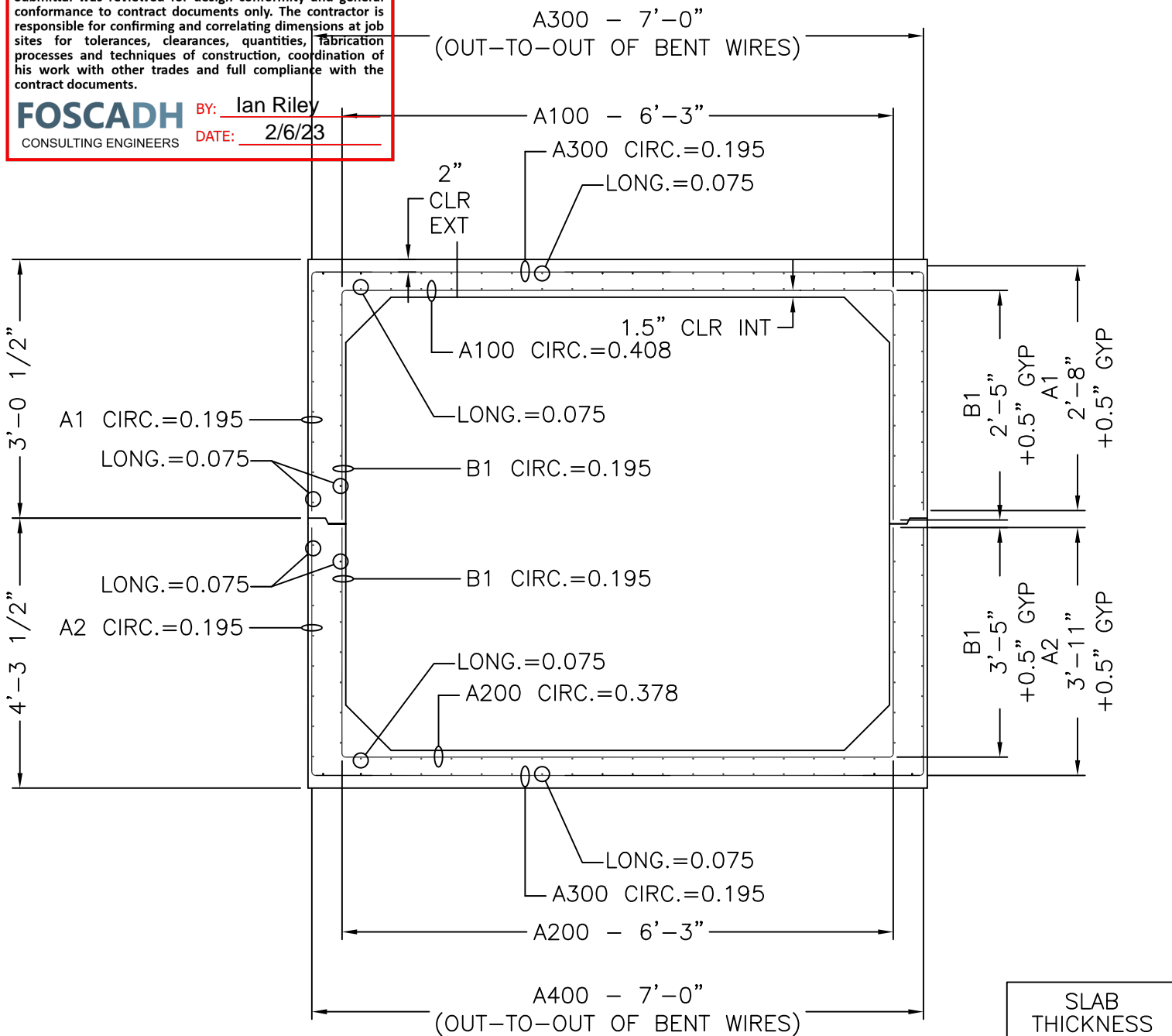
W5.0

**SHOP DRAWING/SUBMITTAL REVIEW**

APPROVED       APPROVED WITH CHANGES NOTES  
 REVISE AND RESUBMIT       REJECTED: \_\_\_\_\_

Submittal was reviewed for design conformity and general conformance to contract documents only. The contractor is responsible for confirming and correlating dimensions at job sites for tolerances, clearances, quantities, fabrication processes and techniques of construction, coordination of his work with other trades and full compliance with the contract documents.

**FOSCADH** BY: Ian Riley  
 CONSULTING ENGINEERS      DATE: 2/6/23



6' x 6' x 7'-1 3/8"

CROSS SECTION WITH AREAS OF STEEL

SLAB THICKNESS	
TOP	8"
BOTTOM	8"
WALLS	8"

MECHANICAL DIMENSIONS			
DIM. 'L'	=	N/A	
DIM. 'M'	=	N/A	
DIM. 'R'	=	N/A	
DIM. 'S'	=	N/A	

CAGE WEIGHT PER 7'-1 3/8" JOINT = 411.5 lbs

BOX SIZE: 6' X 6' X 7'-1 3/8"	ASTM: HL-93	TABLE: 125%	FILL: -
----------------------------------	----------------	----------------	------------



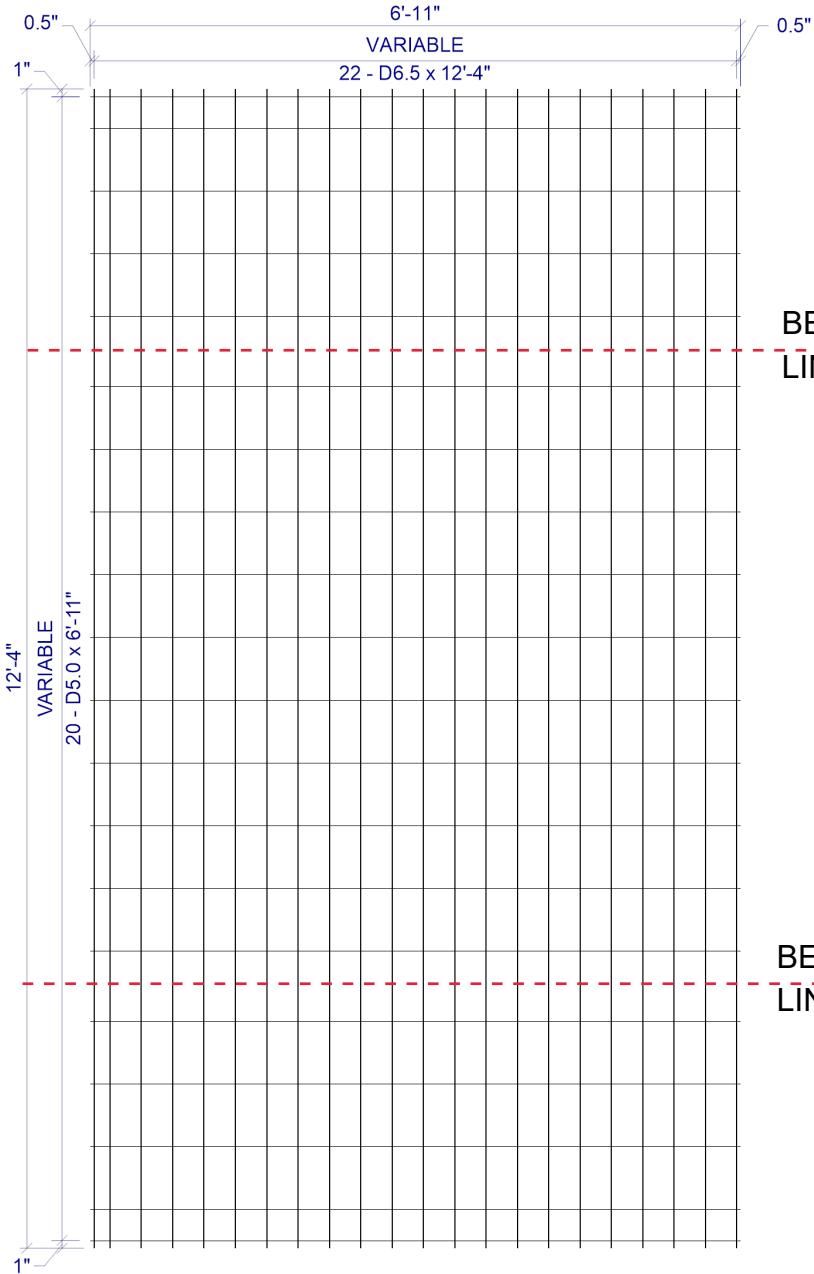
**Concrete Reinforcements, Inc.**  
 3830 Presidents Way  
 Jacksonville, FL 32220  
 PH. 904-520-7100      FAX. 904-520-7101

CUSTOMER: <b>AMERICAN CONCRETE</b>	DRAWN BY: <b>BWA</b>	REVISION: -	SHEET DESCRIPTION: <b>COVER</b>	
PROJECT: <b>6' X 6' X 7'-1 3/8" VAN BUREN #5</b>	DATE: <b>2/3/2023</b>	REVISION DATE: -	FILE NAME: <b>F22-4382</b>	
CHECKED BY: <b>BWA</b>	SCALE: <b>NTS</b>	PROJECT #: <b>F22-4382</b>	SHEET #: <b>1 OF 5</b>	

# SHEET DESIGN



**Concrete Reinforcements, Inc.**  
 3830 Presidents Way • Jacksonville, FL 32220  
 Phone: 904-520-7100 • Fax: 904-520-7101



CUSTOMER American Concrete  
 PROJECT F22-4382 - Drawings - 6x6 Van Buren #5 - American - 1-23-2023  
 LOCATION Veazie, ME  
 DATE 02-02-2023 MARK NUMBER A1/A300 (-01)

BEND  
LINE

BEND  
LINE

L.W.SPAC VAR  
 C.W.SPAC VAR  
 L.W.1 SIZE D6.5  
 L.W.2 SIZE N/A  
 C.W.SIZE D5.0  
 WIDTH 6'-11"  
 LENGTH 12'-4"  
 OH.LEFT 0.5"  
 OH.RIGHT 0.5"  
 OH.TOP 1"  
 OH.BOTTOM 1"  
 YIELD 75,000psi  
 BENT -  
 CUT -  
 ROLL -

W I R E S	LINE WIRE 1	LINE WIRE 2	CROSS WIRE
	NO. PER SHEET	22	N/A
SIZE	D6.5	N/A	D5.0
LENGTH	12'-4"	-	6'-11"
W.T./SHEET			
SHEET W.T.	83.48#		
QUANTITY	13		
SUB TOTAL WEIGHT			
TOTAL WEIGHT			
S.F./SHEET			
LBS/CSF			
Ast/LF			
ST.DENSITY			

SPECIAL REMARKS:  
 BEND DIMS: SLAB=84", WALLS=32" (+0.5" GYP)

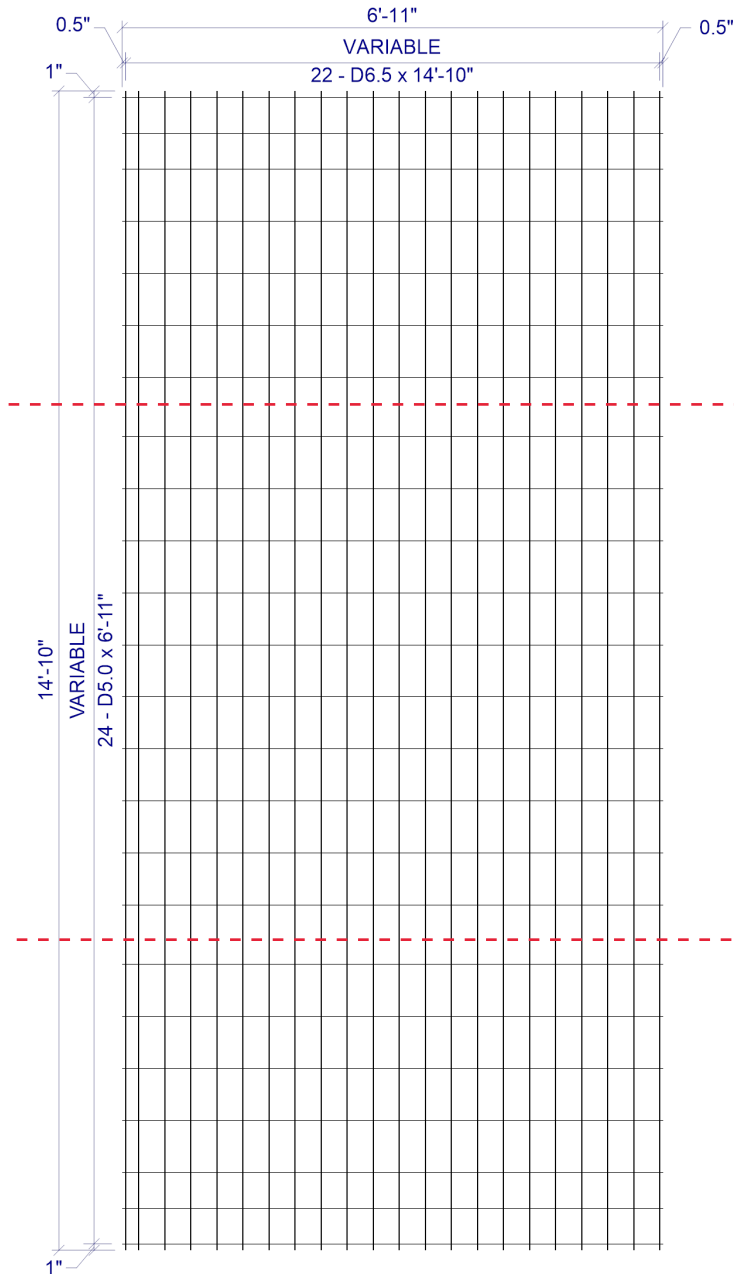
**VAR x VAR D6.5 / D5.0 (GRADE 75) 82(+0.5, +0.5) x 12'-4" (1, 1)**  
 VAR = 0.5" OH, 1@2", 20@4", 0.5" OH  
 VAR = 1" OH, 1@4", 3@8", 1@9", 9@8", 1@9", 3@8", 1@4", 1" OH

APPROVED \_\_\_\_\_

# SHEET DESIGN



**Concrete Reinforcements, Inc.**  
 3830 Presidents Way • Jacksonville, FL 32220  
 Phone: 904-520-7100 • Fax: 904-520-7101



CUSTOMER American Concrete  
 PROJECT F22-4382 - Drawings - 6x6 Van Buren #5 - American - 1-23-2023  
 LOCATION Veazie, ME  
 DATE 02-02-2023 MARK NUMBER A2/A400 (-02)

L.W.SPACE VAR  
 C.W.SPACE VAR  
 L.W.1 SIZE D6.5  
 L.W.2 SIZE N/A  
 C.W.SIZE D5.0  
 WIDTH 6'-11"  
 LENGTH 14'-10"  
 OH.LEFT 0.5"  
 OH.RIGHT 0.5"  
 OH.TOP 1"  
 OH.BOTTOM 1"  
 YIELD 75,000psi  
 BENT -  
 CUT -  
 ROLL -

W I R E S	LINE WIRE 1	LINE WIRE 2	CROSS WIRE
	NO. PER SHEET	22	N/A
SIZE	D6.5	N/A	D5.0
LENGTH	14'-10"	-	6'-11"
W.T./SHEET			
SHEET W.T.	100.34#		
QUANTITY	13		
SUB TOTAL WEIGHT			
TOTAL WEIGHT			
S.F./SHEET			
LBS/CSF			
Ast/LF			
ST.DENSITY			

SPECIAL REMARKS:  
 BEND DIMS: SLAB=84", WALLS=53" (+0.5"GYP)

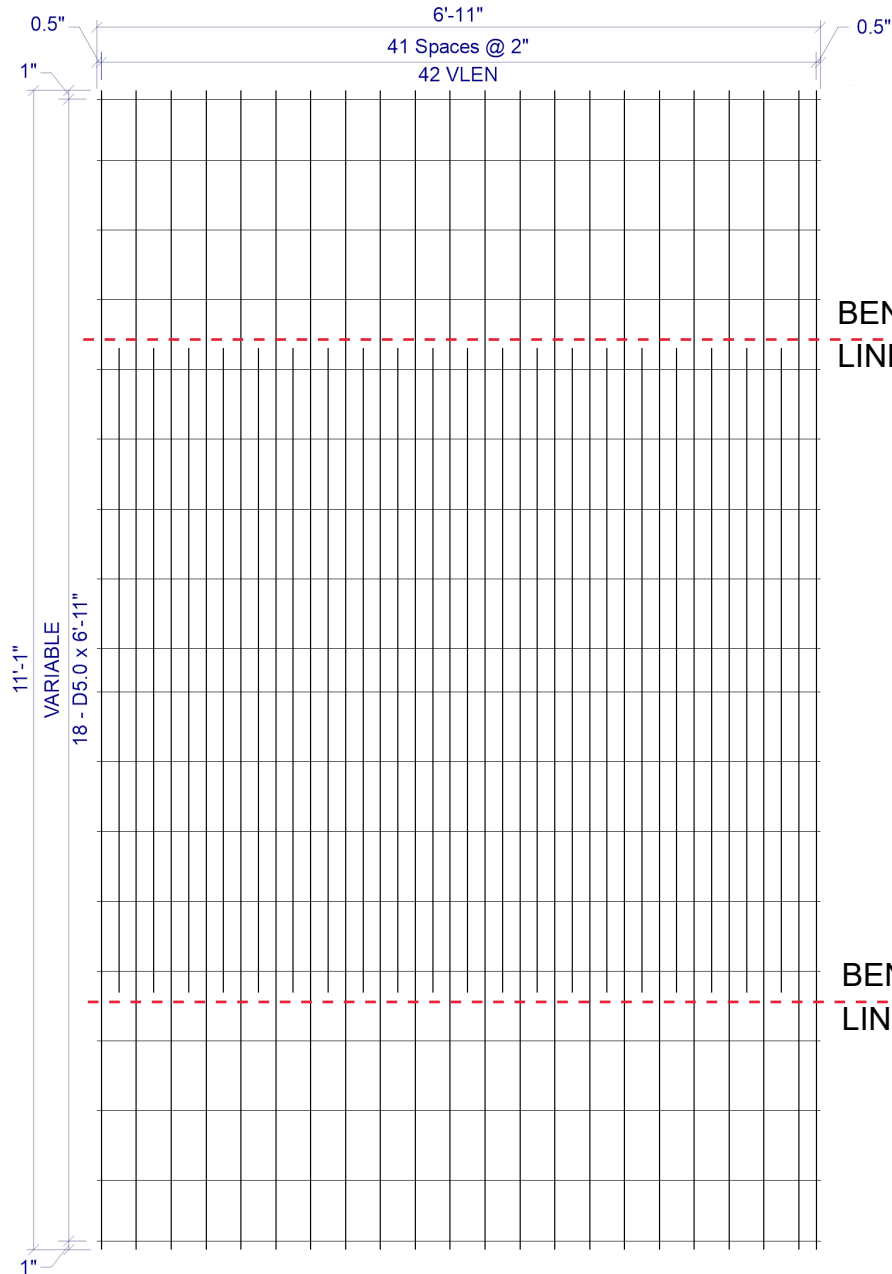
**VAR x VAR D6.5 / D5.0 (GRADE 75) 82(+0.5, +0.5) x 14'-10" (1, 1)**  
 VAR = 0.5" OH, 1@2", 20@4", 0.5" OH  
 VAR = 1" OH, 2@5.5", 4@8", 1@9", 9@8", 1@9", 4@8", 2@5.5", 1" OH

APPROVED \_\_\_\_\_

# SHEET DESIGN



**Concrete Reinforcements, Inc.**  
 3830 Presidents Way • Jacksonville, FL 32220  
 Phone: 904-520-7100 • Fax: 904-520-7101



**2 x VAR D6.5 / D7.1 / D5.0 (GRADE 75) 82"(+0.5", +0.5") x VLEN(1", 1")**  
 VLEN = ALTERNATING LENGTH 6'-2" & 11'-1" WITH 11'-1" @ LHS & RHS  
 VAR = 1" OH, 1@7", 7@8", 1@5", 7@8", 1@7", 1" OH

CUSTOMER American Concrete  
 PROJECT F22-4382 - Drawings - 6x6 Van Buren #5 - American - 1-23-2023  
 LOCATION Veazie, ME  
 DATE 02-02-2023 MARK NUMBER B1/A100 (-03)

L.W.SPACE 2"  
 C.W.SPACE VAR  
 L.W.1 SIZE D6.5  
 L.W.2 SIZE D7.1  
 C.W.SIZE D5.0  
 WIDTH 6'-11"  
 LENGTH 11'-1"  
 OH.LEFT 0.5"  
 OH.RIGHT 0.5"  
 OH.TOP 1"  
 OH.BOTTOM 1"  
 YIELD 75,000psi  
 BENT -  
 CUT -  
 ROLL -

W I R E S	LINE WIRE 1	LINE WIRE 2	CROSS WIRE
	NO. PER SHEET	22	20
SIZE	D6.5	D7.1	D5.0
LENGTH	11'-1"	6'-2"	6'-11"
W.T./SHEET			
SHEET W.T.	106.60#		
QUANTITY	13		
SUB TOTAL WEIGHT			
TOTAL WEIGHT			
S.F./SHEET			
LBS/CSF			
Ast/LF			
ST.DENSITY			

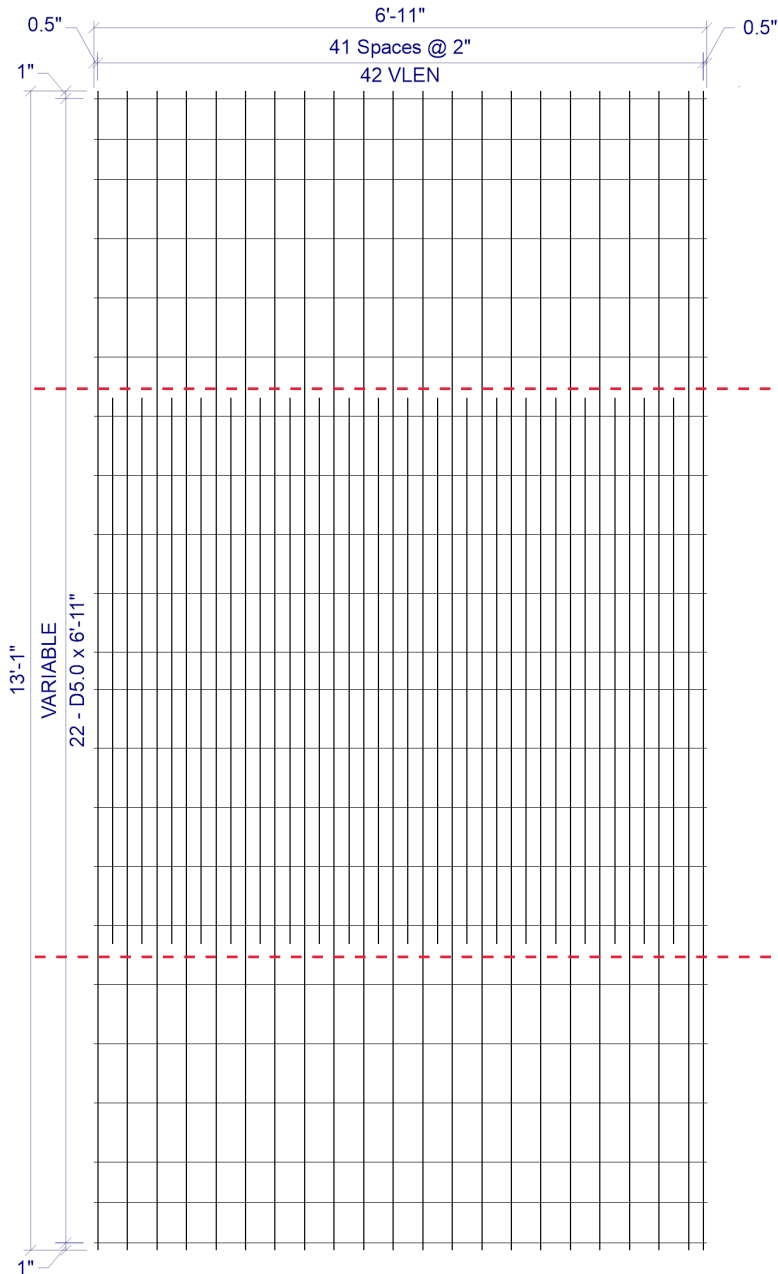
SPECIAL REMARKS:  
 BEND DIMS: SLAB=75" WALLS=23" (+0.5" GYP)

APPROVED \_\_\_\_\_

# SHEET DESIGN



**Concrete Reinforcements, Inc.**  
 3830 Presidents Way • Jacksonville, FL 32220  
 Phone: 904-520-7100 • Fax: 904-520-7101



BEND  
LINE

BEND  
LINE

CUSTOMER American Concrete  
 PROJECT F22-4382 - Drawings - 6x6 Van Buren #5 - American - 1-23-2023  
 LOCATION Veazie, ME  
 DATE 02-02-2023 MARK NUMBER B1/A200 (-04)

L.W.SPACE 2"  
 C.W.SPACE VAR  
 L.W.1 SIZE D6.5  
 L.W.2 SIZE D6.1  
 C.W.SIZE D5.0  
 WIDTH 6'-11"  
 LENGTH 13'-1"  
 OH.LEFT 0.5"  
 OH.RIGHT 0.5"  
 OH.TOP 1"  
 OH.BOTTOM 1"  
 YIELD 75,000psi  
 BENT -  
 CUT -  
 ROLL -

W I R E S	LINE WIRE 1	LINE WIRE 2	CROSS WIRE
	NO. PER SHEET	22	20
SIZE	D6.5	D6.1	D5.0
LENGTH	13'-1"	6'-2"	6'-11"
W.T./SHEET			
SHEET W.T.	121.00#		
QUANTITY	13		
SUB TOTAL WEIGHT			
TOTAL WEIGHT			
S.F./SHEET			
LBS/CSF			
Ast/LF			
ST.DENSITY			

SPECIAL REMARKS:  
 BEND DIMS: SLAB=75", WALLS=41" (+0.5"GYP)

**2 x VAR D6.5 / D6.1 / D5.0 (GRADE 75) 82"(+0.5", +0.5") x VLEN(1", 1")**  
 VLEN = ALTERNATING LENGTH 6'-2" & 13'-1" WITH 13'-1" @ LHS & RHS  
 VAR = 1" OH, 2@5.5", 8@8", 1@5", 8@8", 2@5.5", 1" OH

APPROVED \_\_\_\_\_

# OVERALL



American Concrete Industries

1717 STILLWATER AVE. VEAZIE, ME. 04401

TEL: 207-947-8334

FAX: 207-947-3580

WWW.AMERICANCONCRETE.COM

## BILL OF MATERIALS

ITEM	QTY	DESCRIPTION	WEIGHT# EA
1	1	UPSTREAM END TOP	9,855
2	1	UPSTREAM END BOTTOM	11,440
3	10	MID SECTION TOP	9,590
4	10	MID SECTION BOTTOM	11,150
5	1	DOWNSTREAM END TOP	9,350
6	1	DOWNSTREAM END BOTTOM	10,860
7	2	1' x 2' x 8'-4" TOEWALL	2,495
8	12	#8 x 18" TOEWALL PIN (SHIPPED LOOSE)	

### DESIGN NOTES:

- Concrete**
  - 1.1. COMP. STRENGTH MIN. 5,000PSI @ 28 DAYS
  - 1.2. AIR-ENTRAINMENT: 5.5% MIN - 7.5% MAX
- Structural Reinforcement:**
  - 2.1. BAR PER ASTM A615, GRADE 60
  - 2.2. WWF PER ASTM A1064, GRADE 75
  - 2.3. SUPPLEMENTAL REINFORCING AS SHOWN (WHEN REQUIRED.)
  - 2.4. DESIGNED FOR 125% HL-93 WHEEL LOAD RATING
  - 2.5. 2" CLR EXT., 1 1/2" CLR INT. UNLESS NOTED OTHERWISE
- Manufacturing / Installation:**
  - 3.1. JOINTS SEALED WITH BUTYL RUBBER SEALANT.
  - 3.2. ALL JOINTS FILLED W/ NON-SHRINK GROUT AFTER INSTALLATION.
- Soil / Fill Requirements:**
  - MINIMUM ALLOWABLE FILL: 4.50'
  - MAXIMUM ALLOWABLE FILL: 5.00'

**NOTE:** Some details not shown for clarity.  
**SCALE:** 1/8" = 1'-0" Unless noted otherwise.

STRUCTURE NAME:  
 CULVERT 4: 7' x 6' x 84' (STA. 135+33)

JOB NAME:  
 US ROUTE 1 (WIN 20421.10)

LOCATION:  
 VAN BUREN, ME

CONTRACTOR:  
 ME DOT

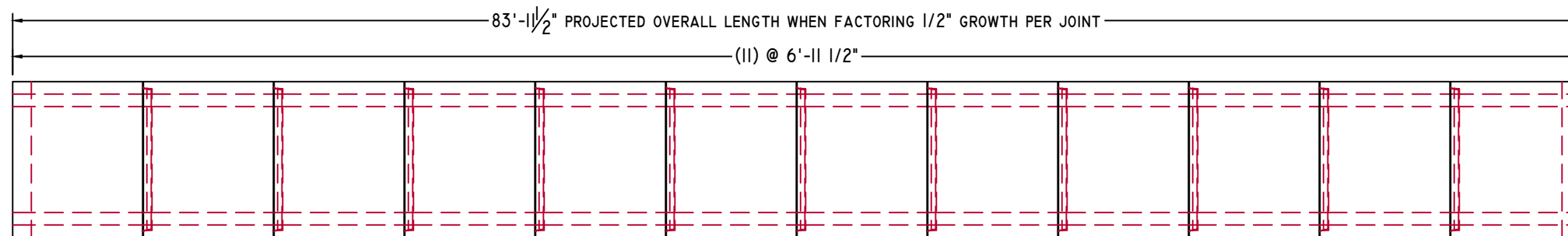
DRAWN BY:  
 SSM

DATE:  
 02/03/2023

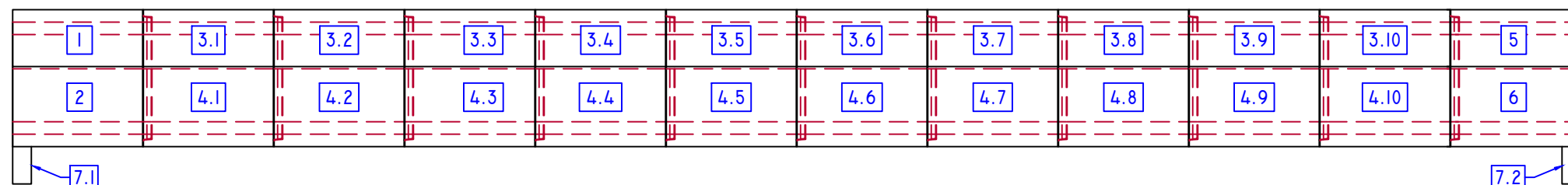
REV.#:  
 0.00

DATE:  
 02/03/2023

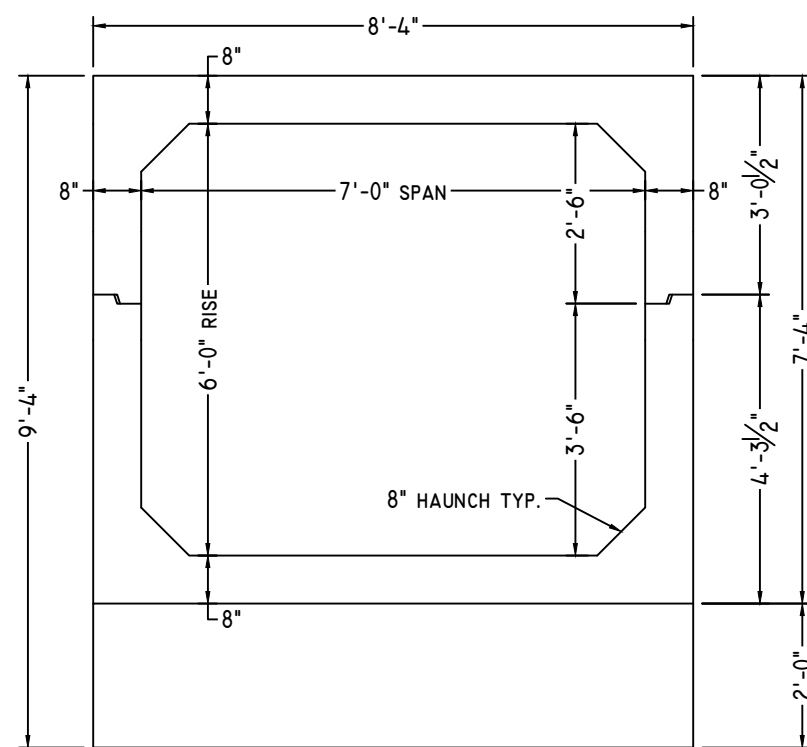
C4.0



PLAN VIEW

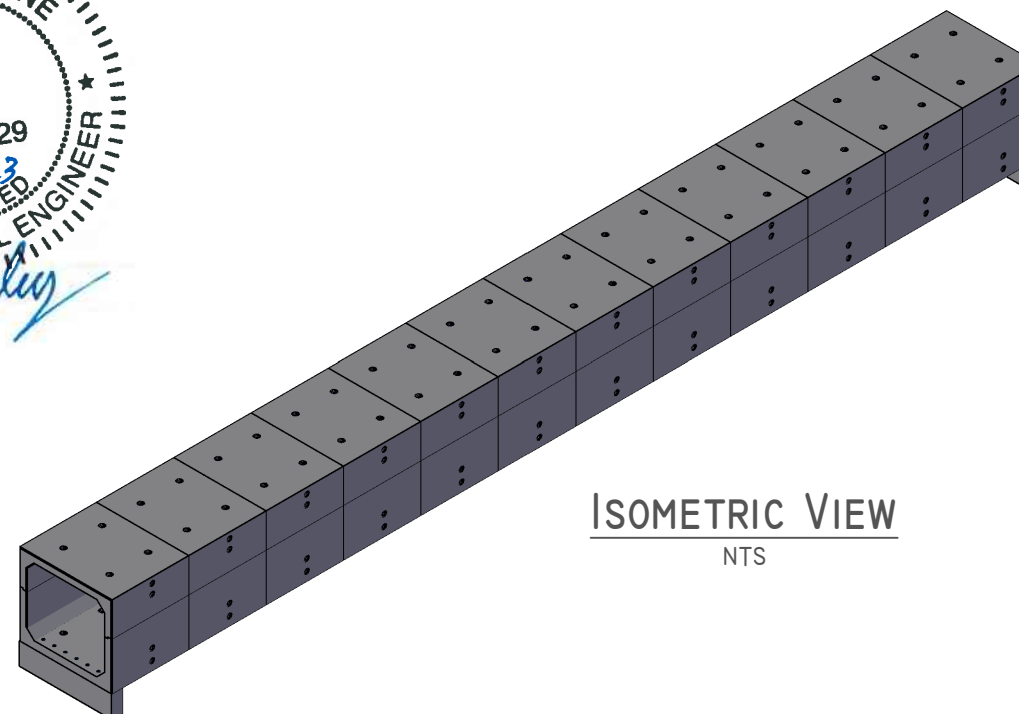
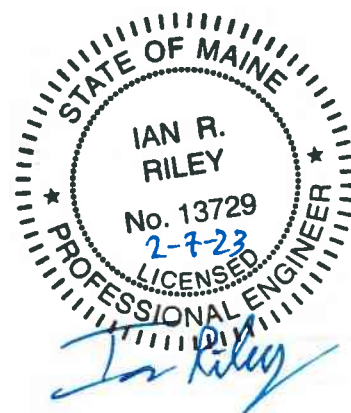


ELEVATION-A



ELEVATION-B

3/8" = 1'-0"



ISOMETRIC VIEW

NTS

# UPSTREAM END



American Concrete Industries

1717 STILLWATER AVE. VEAZIE, ME. 04401

TEL: 207-947-8334

FAX: 207-947-3580

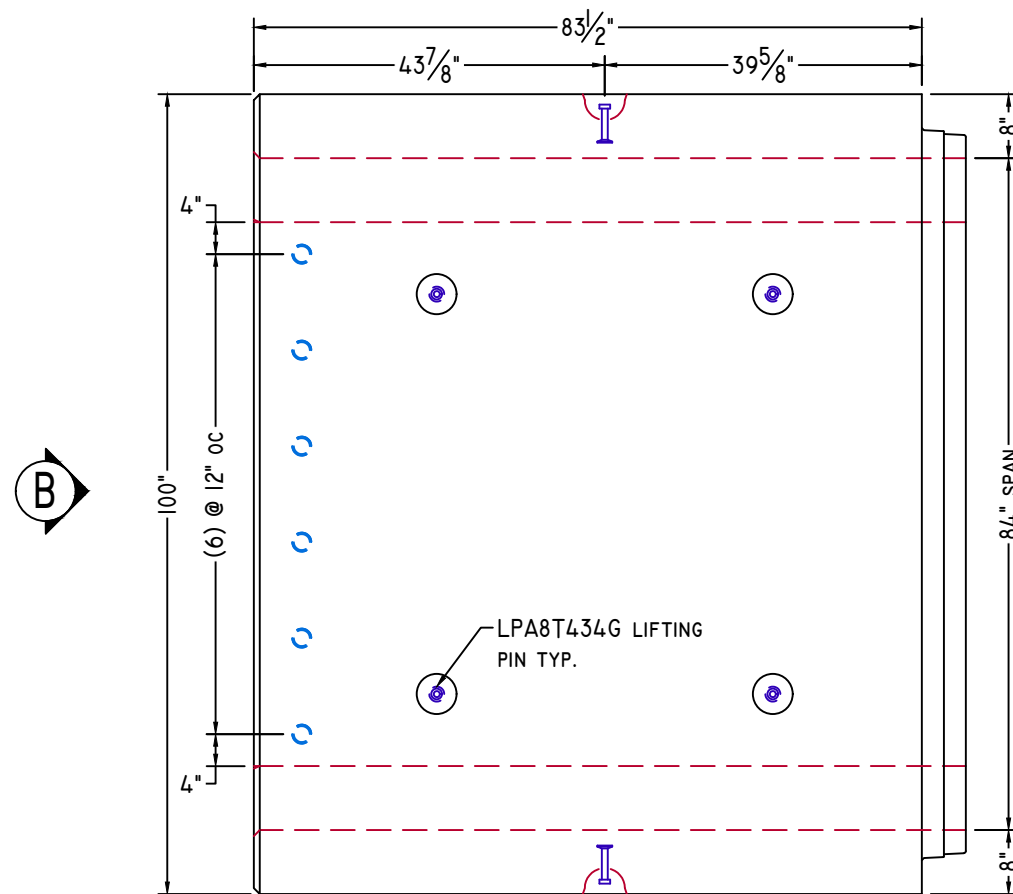
WWW.AMERICANCONCRETE.COM

## BILL OF MATERIALS

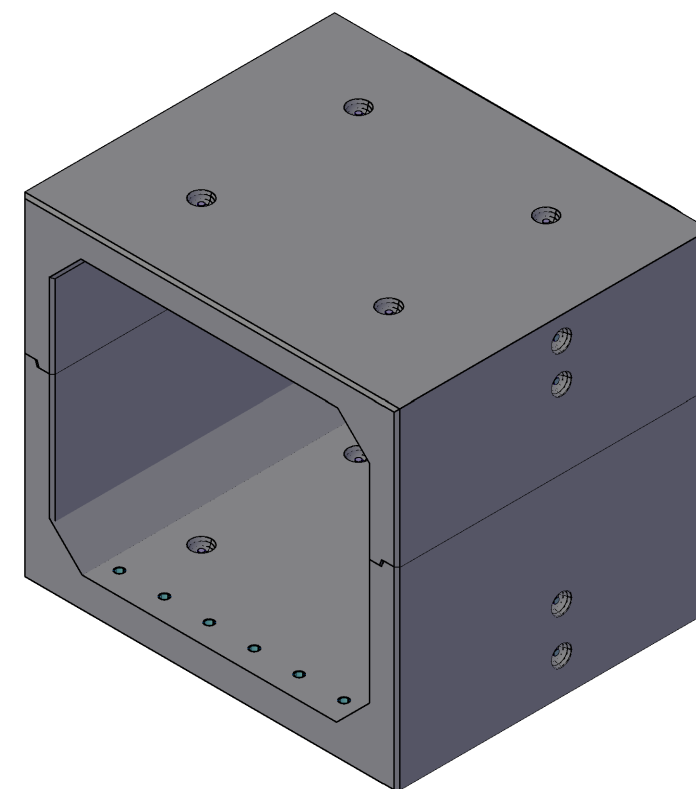
ITEM	QTY	DESCRIPTION	WEIGHT# EA
1	1	UPSTREAM END TOP	9,855
2	1	UPSTREAM END BOTTOM	11,440

### DESIGN NOTES:

1. **Concrete**
  - 1.1. COMP. STRENGTH MIN. 5,000PSI @ 28 DAYS
  - 1.2. AIR-ENTRAINMENT: 5.5% MIN - 7.5% MAX
2. **Structural Reinforcement:**
  - 2.1. BAR PER ASTM A615, GRADE 60
  - 2.2. WWF PER ASTM A1064, GRADE 75
  - 2.3. SUPPLEMENTAL REINFORCING AS SHOWN (WHEN REQUIRED.)
  - 2.4. DESIGNED FOR 125% HL-93 WHEEL LOAD RATING
  - 2.5. 2" CLR EXT., 1 1/2" CLR INT. UNLESS NOTED OTHERWISE
3. **Manufacturing / Installation:**
  - 3.1. JOINTS SEALED WITH BUTYL RUBBER SEALANT.
  - 3.2. ALL JOINTS FILLED W/ NON-SHRINK GROUT AFTER INSTALLATION.
4. **Soil / Fill Requirements:**
  - MINIMUM ALLOWABLE FILL: 4.50'
  - MAXIMUM ALLOWABLE FILL: 5.00'

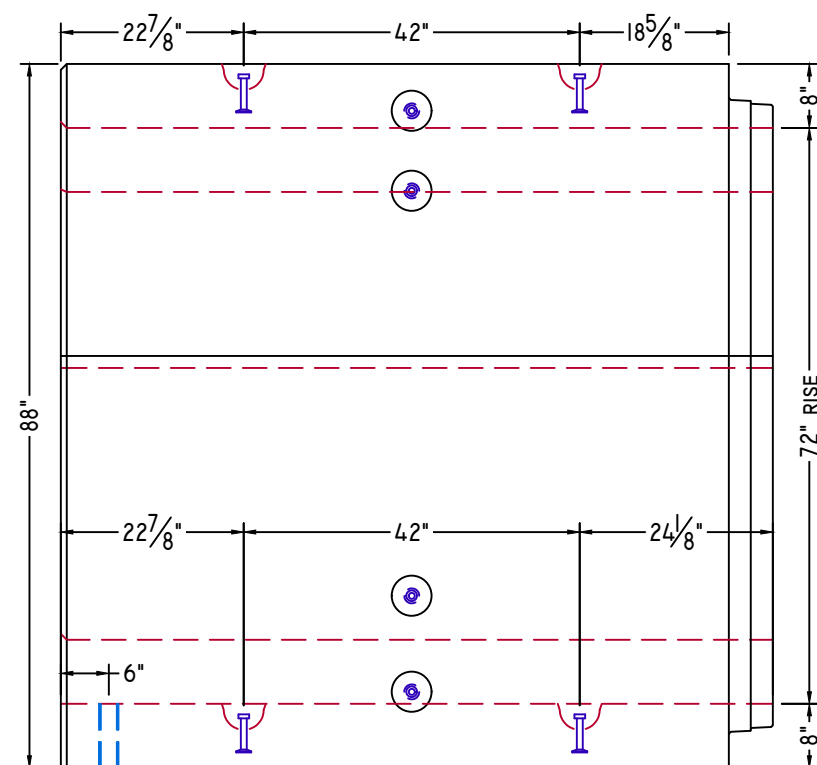


PLAN VIEW

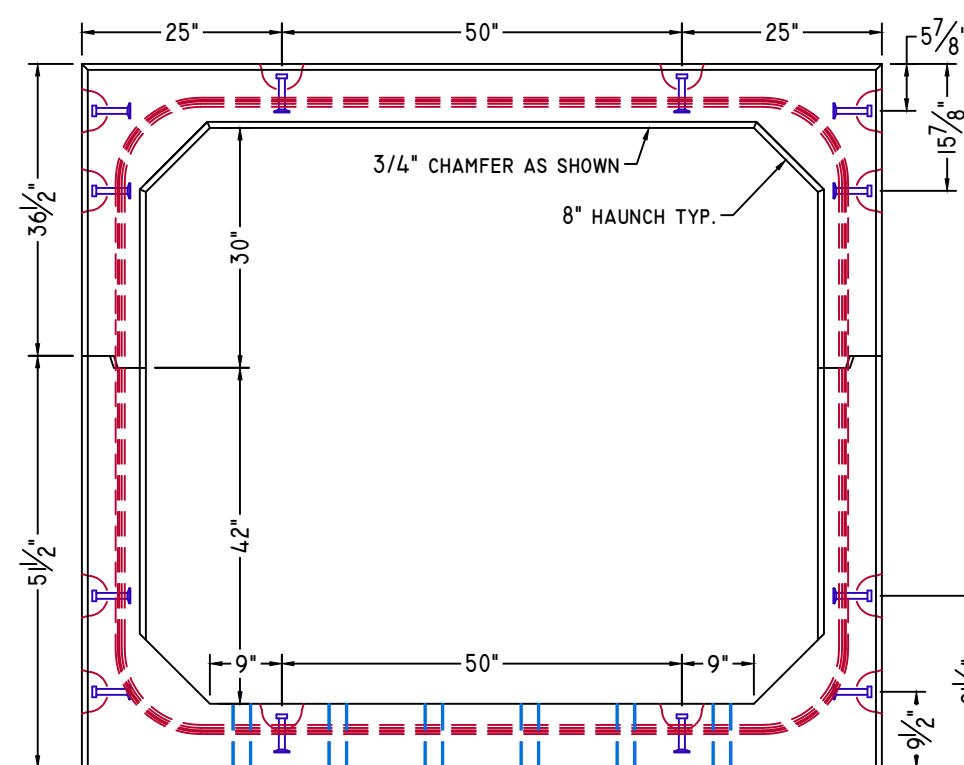


ISOMETRIC VIEW

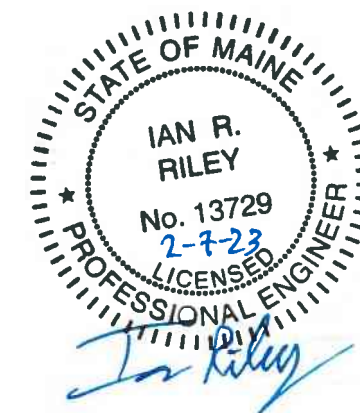
NTS



ELEVATION-A



ELEVATION-B



NOTE: Some details not shown for clarity.  
SCALE: 1/2" = 1'-0" Unless noted otherwise.

STRUCTURE NAME:  
CULVERT 4: 7' x 6' x 84' (STA. 135+33)

JOB NAME:  
US ROUTE 1 (WIN 20421.10)

LOCATION:  
VAN BUREN, ME

CONTRACTOR:  
ME DOT

DRAWN BY: SSM DATE: 02/03/2023

REV.#: 0.00 DATE: 02/03/2023

C4.1

# MID SECTION

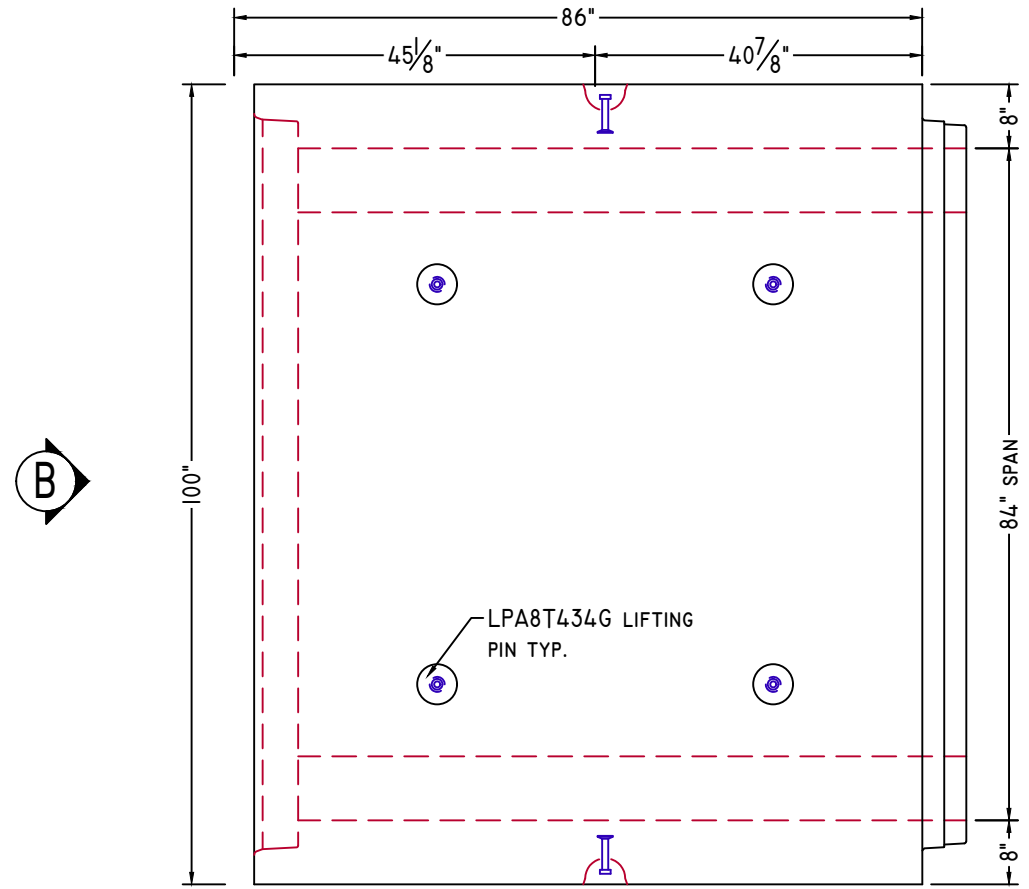


American Concrete Industries  
 1717 STILLWATER AVE. VEAZIE, ME. 04401  
 TEL: 207-947-8334  
 FAX: 207-947-3580  
 WWW.AMERICANCONCRETE.COM

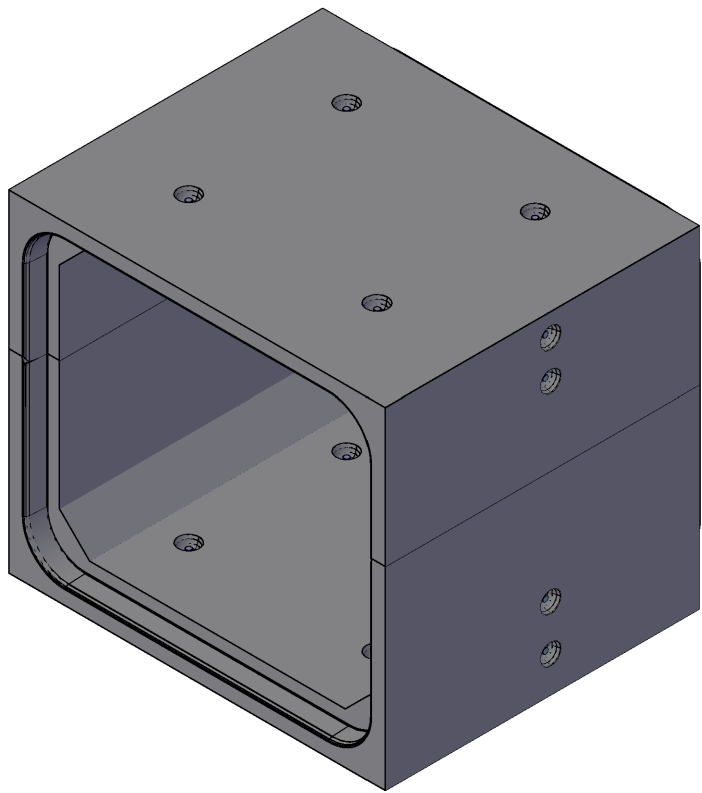
## BILL OF MATERIALS

ITEM	QTY	DESCRIPTION	WEIGHT# EA
3	10	MID SECTION TOP	9,590
4	10	MID SECTION BOTTOM	11,150

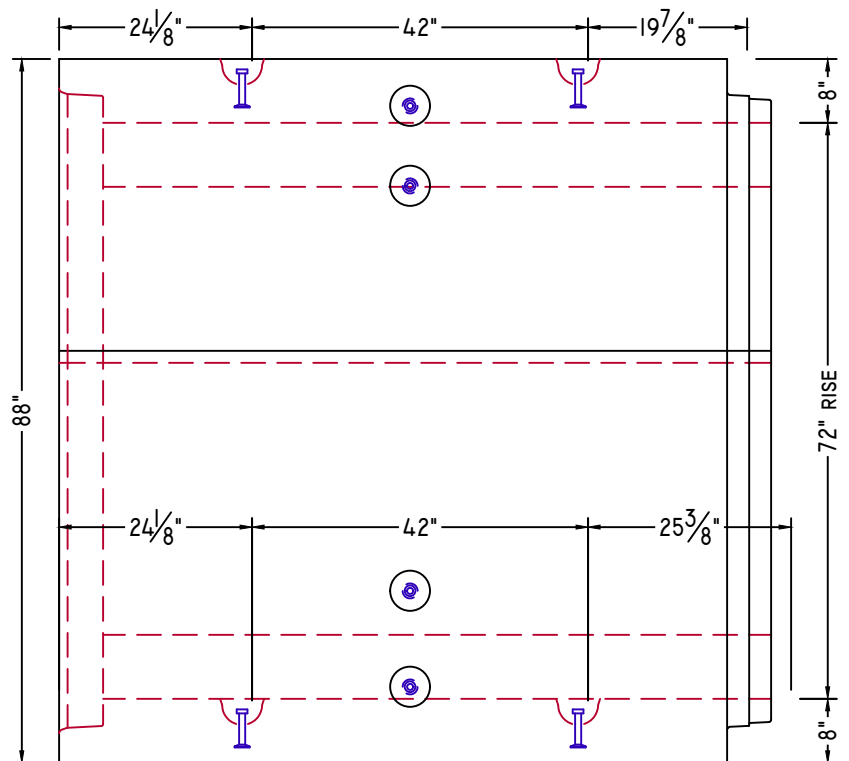
- DESIGN NOTES:
- Concrete**
    - 1.1. COMP. STRENGTH MIN. 5,000PSI @ 28 DAYS
    - 1.2. AIR-ENTRAINMENT: 5.5% MIN - 7.5% MAX
  - Structural Reinforcement:**
    - 2.1. BAR PER ASTM A615, GRADE 60
    - 2.2. WWF PER ASTM A1064, GRADE 75
    - 2.3. SUPPLEMENTAL REINFORCING AS SHOWN (WHEN REQUIRED.)
    - 2.4. DESIGNED FOR 125% HL-93 WHEEL LOAD RATING
    - 2.5. 2" CLR EXT., 1 1/2" CLR INT. UNLESS NOTED OTHERWISE
  - Manufacturing / Installation:**
    - 3.1. JOINTS SEALED WITH BUTYL RUBBER SEALANT.
    - 3.2. ALL JOINTS FILLED W/ NON-SHRINK GROUT AFTER INSTALLATION.
  - Soil / Fill Requirements:**
    - 3.1. MINIMUM ALLOWABLE FILL: 4.50'
    - 3.2. MAXIMUM ALLOWABLE FILL: 5.00'



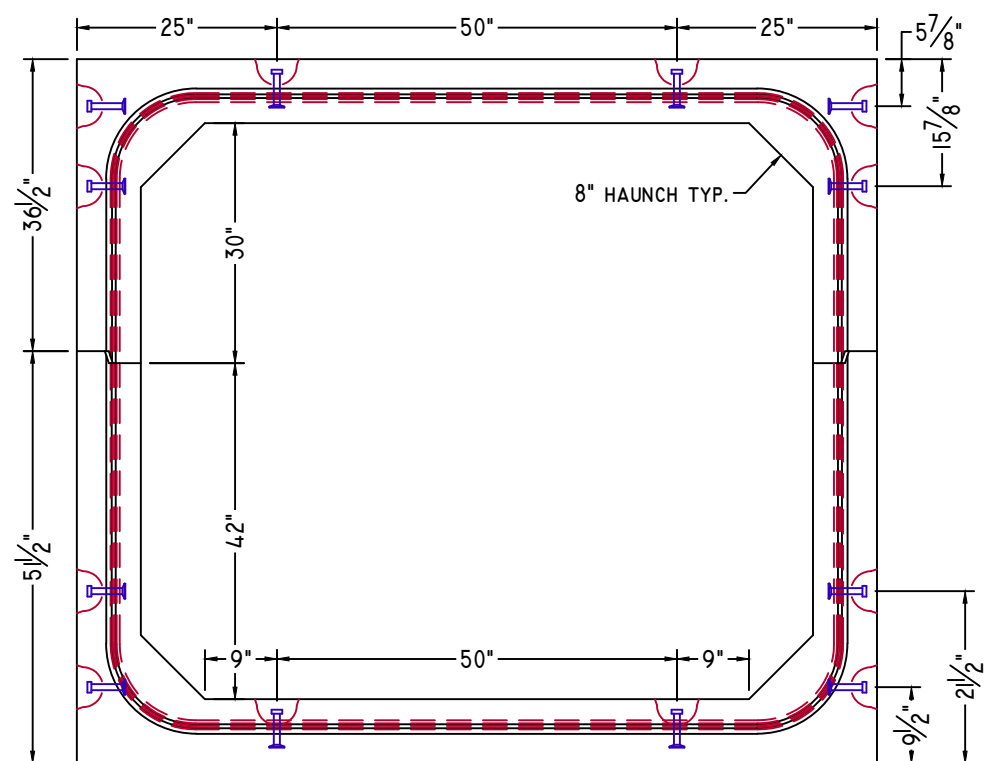
**PLAN VIEW**



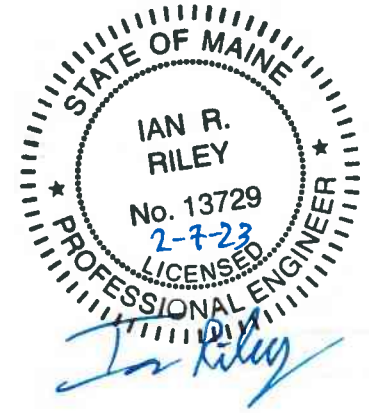
**ISOMETRIC VIEW**  
NTS



**ELEVATION-A**



**ELEVATION-B**



NOTE: Some details not shown for clarity.  
 SCALE: 1/2" = 1'-0" Unless noted otherwise.

STRUCTURE NAME: CULVERT 4: 7' x 6' x 84' (STA. 135+33)  
 JOB NAME: US ROUTE I (WIN 20421.10)  
 LOCATION: VAN BUREN, ME  
 CONTRACTOR: ME DOT

DRAWN BY: SSM	DATE: 02/03/2023
REV.#: 0.00	DATE: 02/03/2023

C4.2

# DOWNSTREAM END

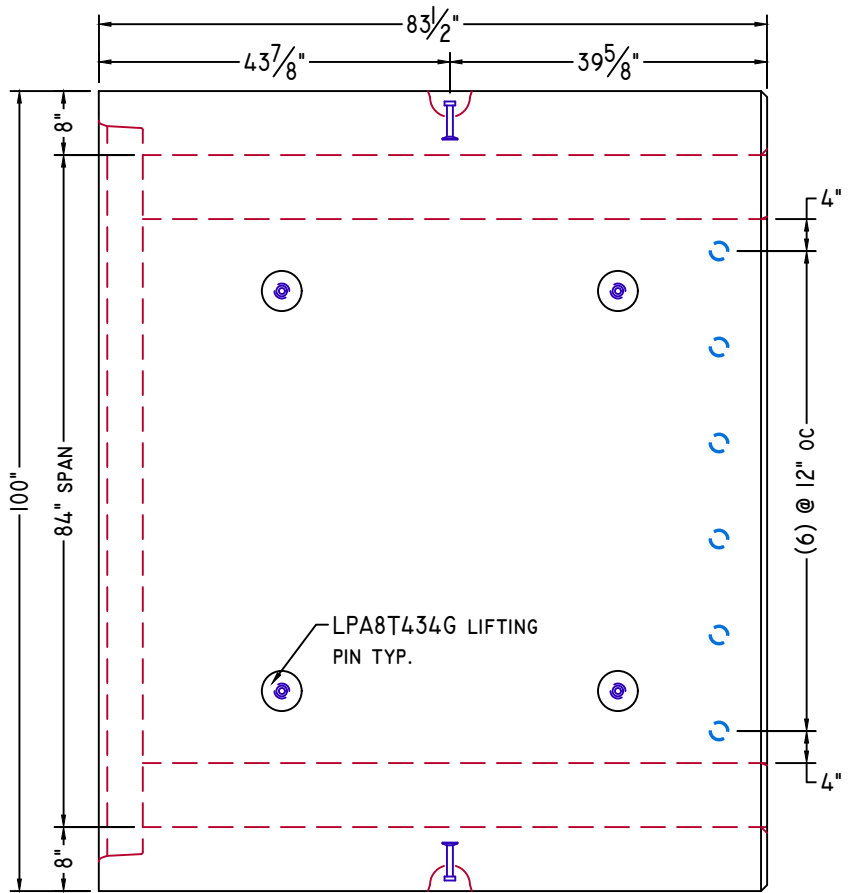


American Concrete Industries  
 1717 STILLWATER AVE. VEAZIE, ME. 04401  
 TEL: 207-947-8334  
 FAX: 207-947-3580  
 WWW.AMERICANCONCRETE.COM

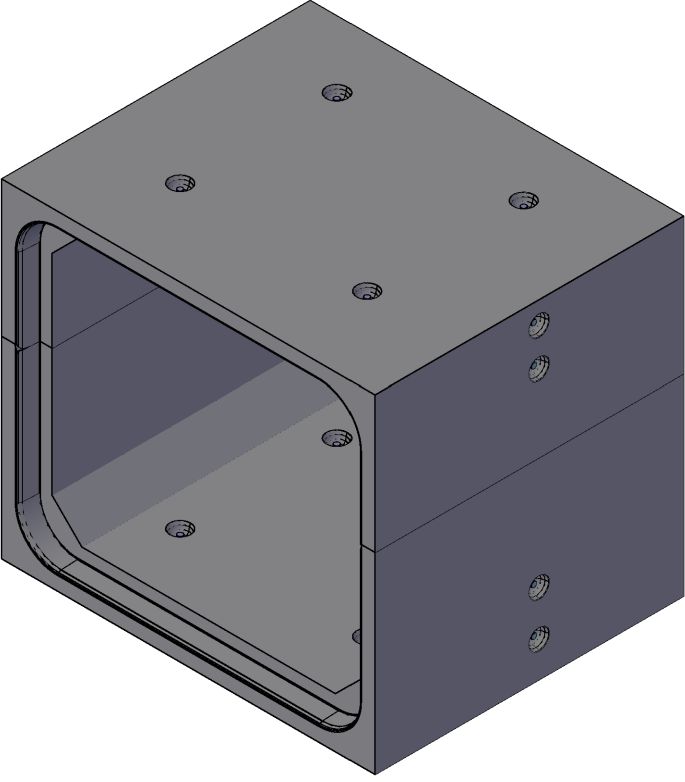
## BILL OF MATERIALS

ITEM	QTY	DESCRIPTION	WEIGHT# EA
5	1	DOWNSTREAM END TOP	9,350
6	1	DOWNSTREAM END BOTTOM	10,860

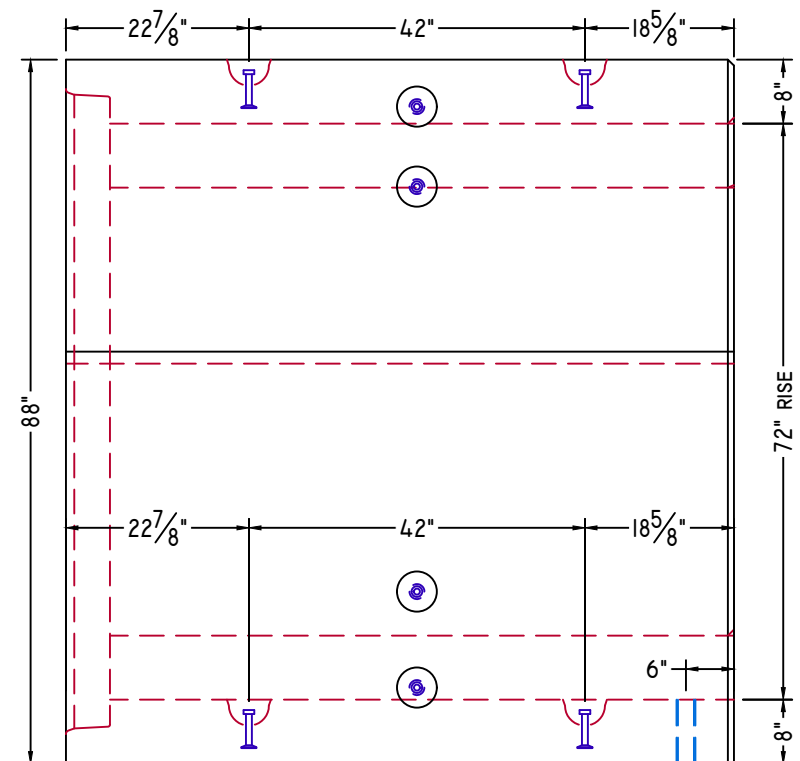
- DESIGN NOTES:
- Concrete**
    - 1.1. COMP. STRENGTH MIN. 5,000PSI @ 28 DAYS
    - 1.2. AIR-ENTRAINMENT: 5.5% MIN - 7.5% MAX
  - Structural Reinforcement:**
    - 2.1. BAR PER ASTM A615, GRADE 60
    - 2.2. WWF PER ASTM A1064, GRADE 75
    - 2.3. SUPPLEMENTAL REINFORCING AS SHOWN (WHEN REQUIRED.)
    - 2.4. DESIGNED FOR 125% HL-93 WHEEL LOAD RATING
    - 2.5. 2" CLR EXT., 1 1/2" CLR INT. UNLESS NOTED OTHERWISE
  - Manufacturing / Installation:**
    - 3.1. JOINTS SEALED WITH BUTYL RUBBER SEALANT.
    - 3.2. ALL JOINTS FILLED W/ NON-SHRINK GROUT AFTER INSTALLATION.
  - Soil / Fill Requirements:**
    - MINIMUM ALLOWABLE FILL: 4.50'
    - MAXIMUM ALLOWABLE FILL: 5.00'



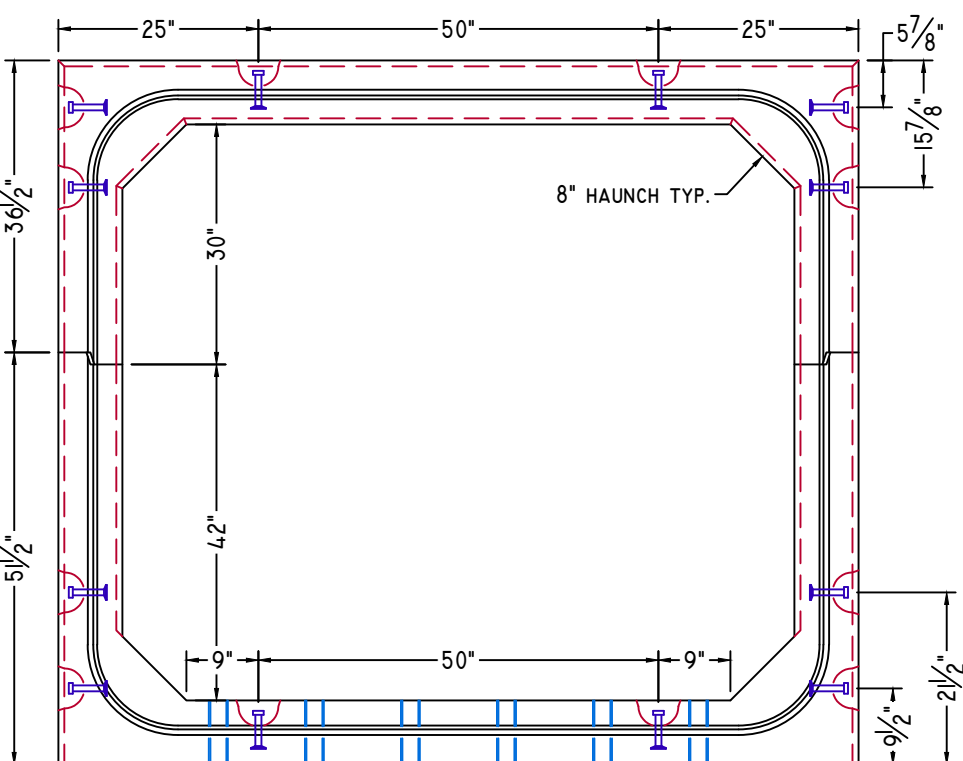
**PLAN VIEW**



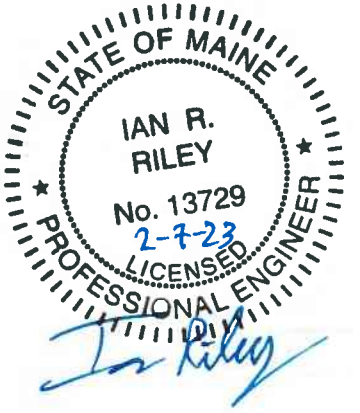
**ISOMETRIC VIEW**  
NTS



**ELEVATION-A**



**ELEVATION-B**



NOTE: Some details not shown for clarity.  
 SCALE: 1/2" = 1'-0" Unless noted otherwise.

STRUCTURE NAME: CULVERT 4: 7' x 6' x 84' (STA. 135+33)

JOB NAME: US ROUTE I (WIN 20421.10)

LOCATION: VAN BUREN, ME

CONTRACTOR: ME DOT

DRAWN BY: SSM DATE: 02/03/2023

REV.#: 0.00 DATE: 02/03/2023

C4.3

# STANDARD DETAILS



American Concrete Industries

1717 STILLWATER AVE. VEAZIE, ME. 04401

TEL: 207-947-8334

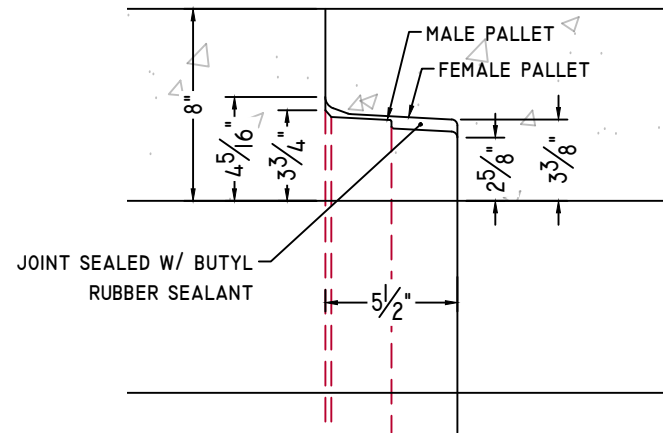
FAX: 207-947-3580

WWW.AMERICANCONCRETE.COM

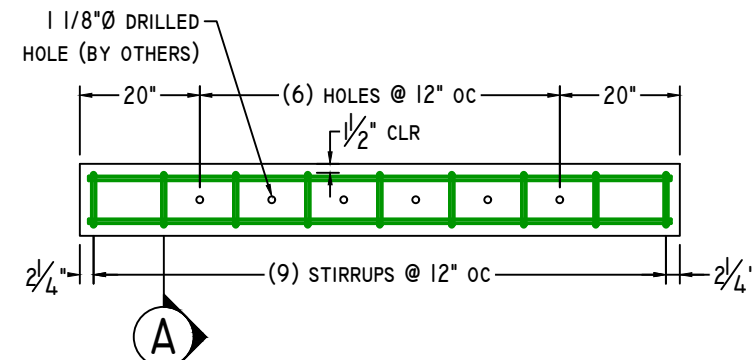
## BILL OF MATERIALS

ITEM	QTY	DESCRIPTION	WEIGHT# EA
------	-----	-------------	------------

INTENTIONALLY LEFT BLANK

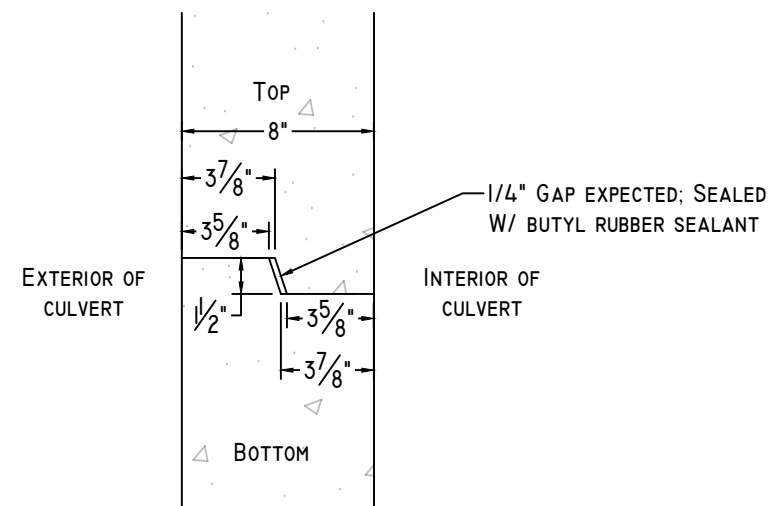


CULVERT JOINT DETAIL

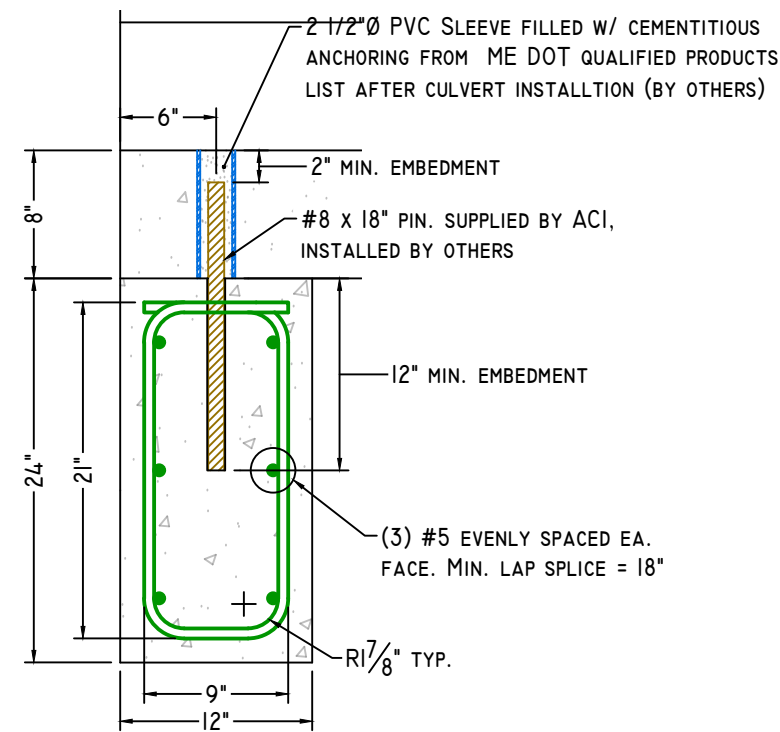


TOEWALL DETAIL

3/8" = 1'-0"

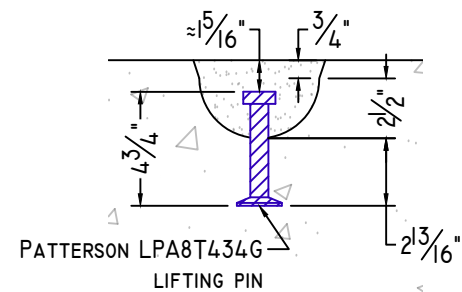


CLAMSHELL JOINT DETAIL

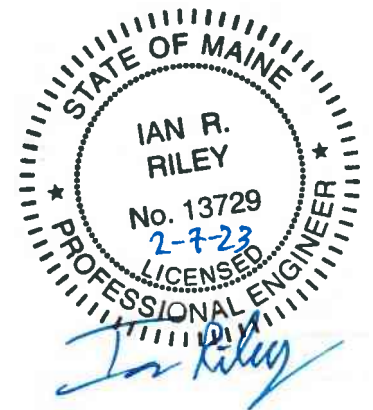


SECTION-A

1" = 1'-0"



8T 4 3/4" LIFTING PIN DETAIL



NOTE: Some details not shown for clarity.  
SCALE: 1 1/2" = 1'-0" Unless noted otherwise.

STRUCTURE NAME:		D4.0
CULVERT 4: 7' x 6' x 84' (STA. 135+33)		
JOB NAME:		D4.0
US ROUTE I (WIN 20421.10)		
LOCATION:		D4.0
VAN BUREN, ME		
CONTRACTOR:		D4.0
ME DOT		
DRAWN BY:	DATE:	D4.0
SSM	02/03/2023	
REV.#:	DATE:	D4.0
0.00	02/03/2023	

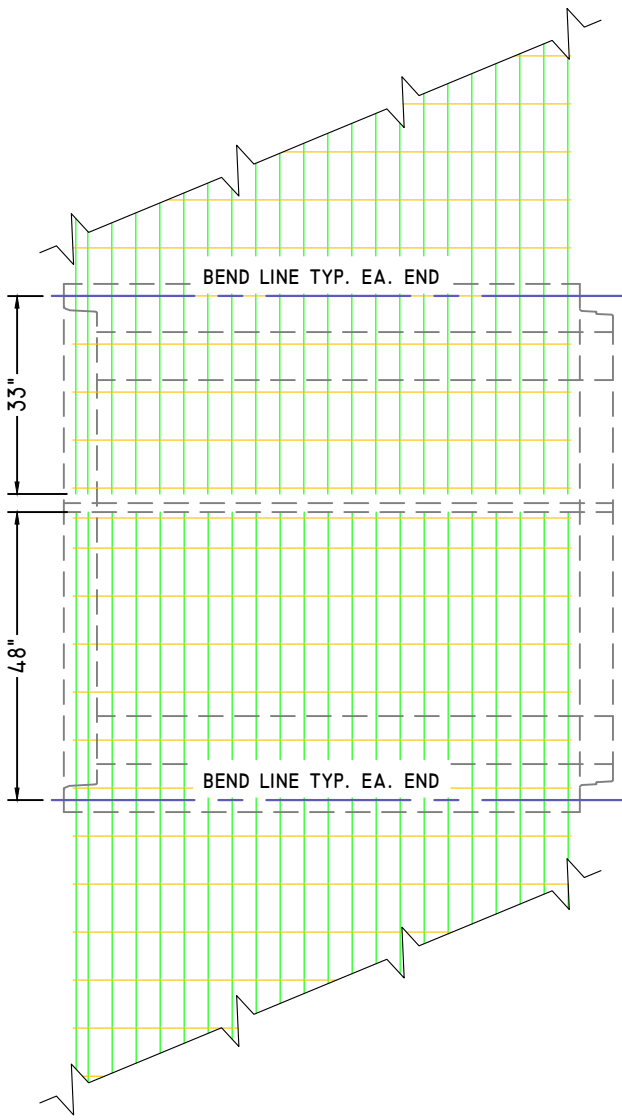
# WELDED WIRE DETAILS



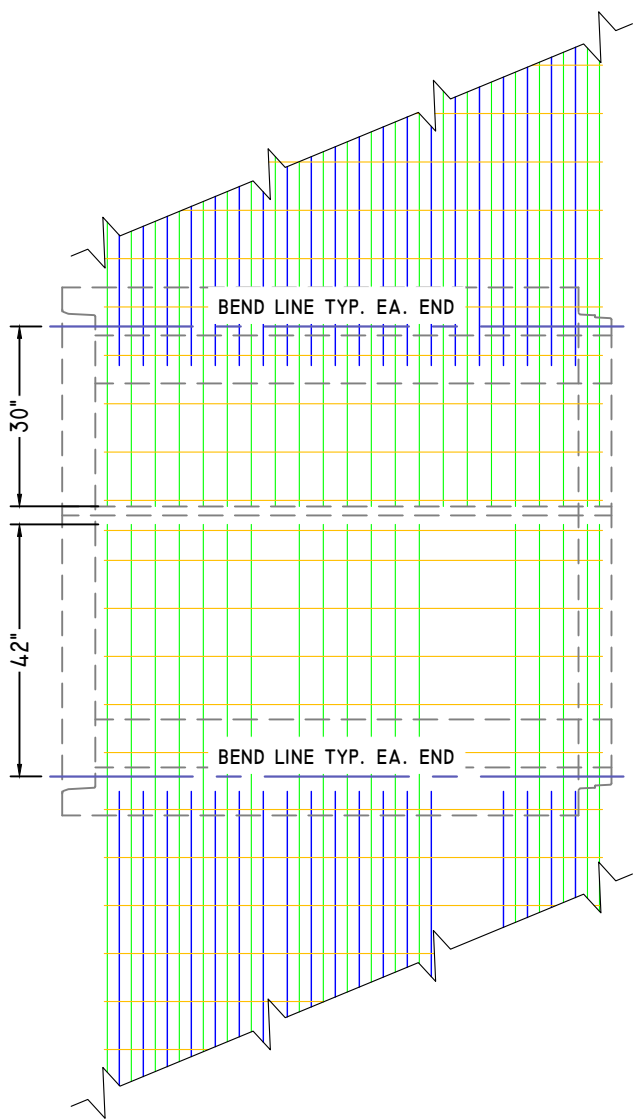
American Concrete Industries  
 1717 STILLWATER AVE. VEAZIE, ME. 04401  
 TEL: 207-947-8334  
 FAX: 207-947-3580  
 WWW.AMERICANCONCRETE.COM

## BILL OF MATERIALS

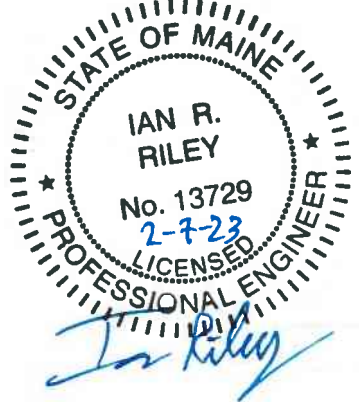
ITEM	QTY	DESCRIPTION	WEIGHT# EA
INTENTIONALLY LEFT BLANK			



ALL SECTIONS, EXTERIOR



ALL SECTIONS, INTERIOR



NOTE: Some details not shown for clarity.  
 SCALE: 3/8" = 1'-0" Unless noted otherwise.

STRUCTURE NAME:	CULVERT 4: 7' x 6' x 84' (STA. 135+33)
JOB NAME:	US ROUTE 1 (WIN 20421.10)
LOCATION:	VAN BUREN, ME
CONTRACTOR:	ME DOT

DRAWN BY:	DATE:
SSM	02/03/2023
REV.#:	DATE:
0.00	02/03/2023

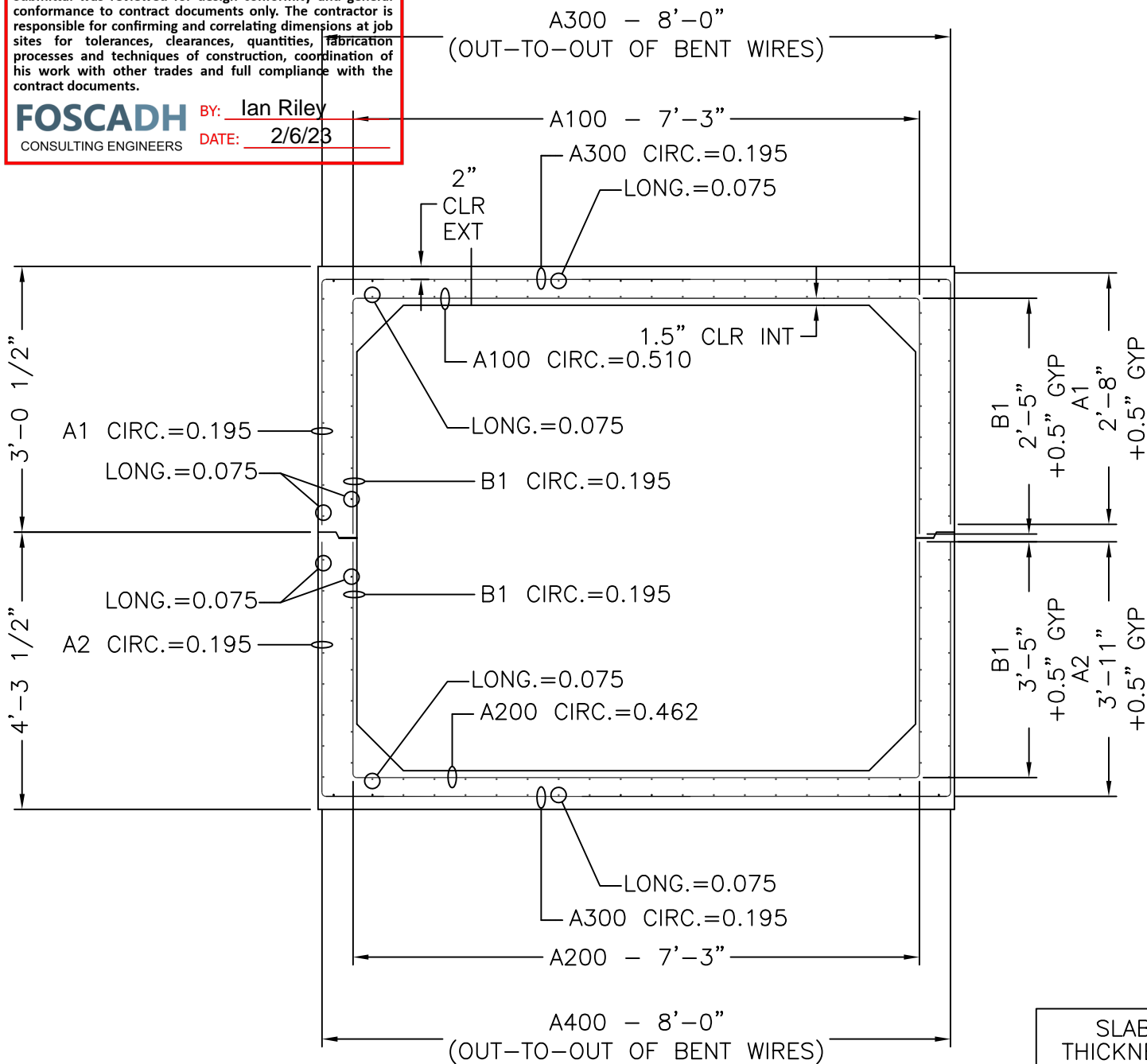
W4.0

**SHOP DRAWING/SUBMITTAL REVIEW**

APPROVED       APPROVED WITH CHANGES NOTES  
 REVISE AND RESUBMIT       REJECTED: \_\_\_\_\_

Submittal was reviewed for design conformity and general conformance to contract documents only. The contractor is responsible for confirming and correlating dimensions at job sites for tolerances, clearances, quantities, fabrication processes and techniques of construction, coordination of his work with other trades and full compliance with the contract documents.

**FOSCADH** BY: Ian Riley  
 CONSULTING ENGINEERS      DATE: 2/6/23



7' x 6' x 6'-11 9/16"

CROSS SECTION WITH AREAS OF STEEL

SLAB THICKNESS	
TOP	8"
BOTTOM	8"
WALLS	8"

MECHANICAL DIMENSIONS			
DIM. 'L'	=	N/A	
DIM. 'M'	=	N/A	
DIM. 'R'	=	N/A	
DIM. 'S'	=	N/A	

CAGE WEIGHT PER 6'-11 9/16" JOINT = 455.4 lbs

BOX SIZE: 7' X 6' X 6'-11 9/16"	ASTM: HL-93	TABLE: 125%	FILL: -
------------------------------------	----------------	----------------	------------



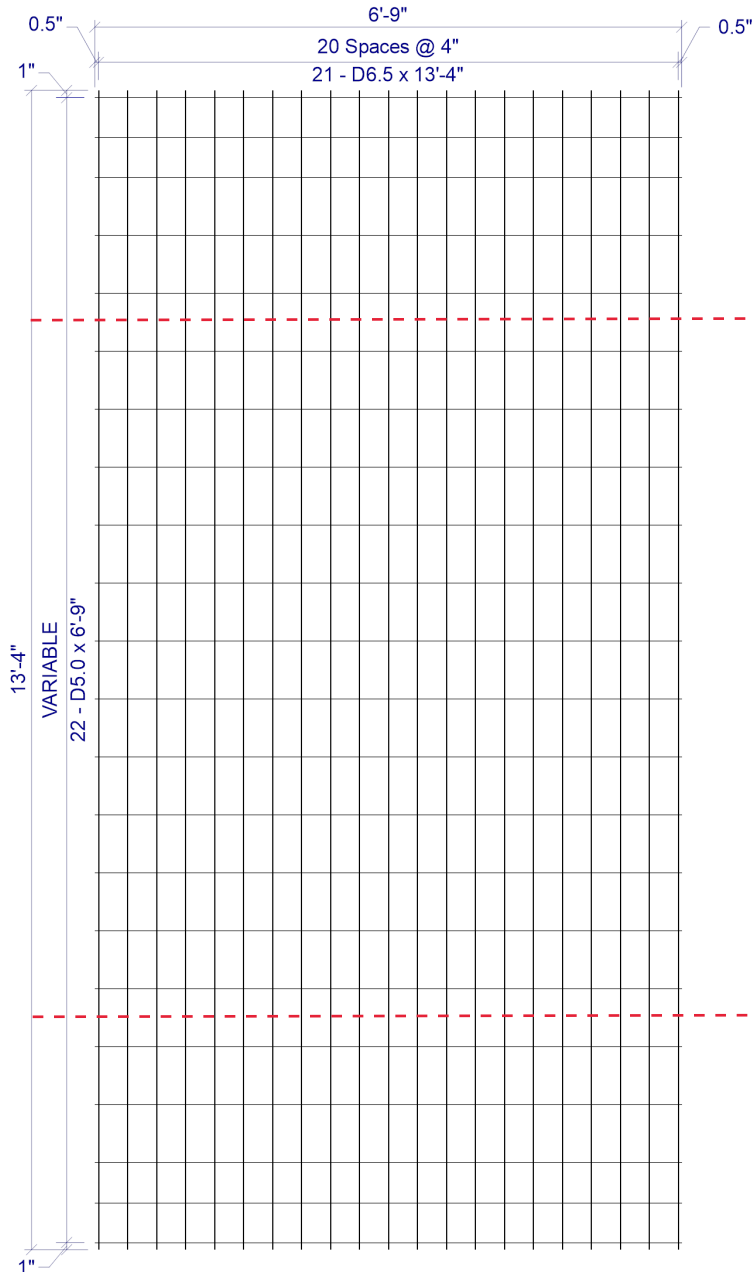
**Concrete Reinforcements, Inc.**  
 3830 Presidents Way  
 Jacksonville, FL 32220  
 PH. 904-520-7100      FAX. 904-520-7101

CUSTOMER: <b>AMERICAN CONCRETE</b>	DRAWN BY: <b>BWA</b>	REVISION: -	SHEET DESCRIPTION: <b>COVER</b>	
PROJECT: <b>7' X 6' X 6'-11 9/16" VAN BUREN #4</b>	DATE: <b>2/3/2023</b>	REVISION DATE: -	FILE NAME: <b>F22-4381</b>	
CHECKED BY: <b>BWA</b>	SCALE: <b>NTS</b>	PROJECT #: <b>F22-4381</b>	SHEET #: <b>1 OF 5</b>	

# SHEET DESIGN



**Concrete Reinforcements, Inc.**  
 3830 Presidents Way • Jacksonville, FL 32220  
 Phone: 904-520-7100 • Fax: 904-520-7101



**4 x VAR D6.5 / D5.0 (GRADE 75) 80(+0.5, +0.5) x 13'-4" (1, 1)**  
 VAR = 1" OH, 2@5.5", 17@8", 2@5.5", 1" OH

CUSTOMER American Concrete  
 PROJECT F22-4381 - Drawings - 7x6 Vanburen #4 - American - 1-23-2023  
 LOCATION Veazie, ME  
 DATE 02-02-2023 MARK NUMBER A1/A300 (-01)

L.W.SPACE 4"  
 C.W.SPACE VAR  
 L.W.1 SIZE D6.5  
 L.W.2 SIZE N/A  
 C.W.SIZE D5.0  
 WIDTH 6'-9"  
 LENGTH 13'-4"  
 OH.LEFT 0.5"  
 OH.RIGHT 0.5"  
 OH.TOP 1"  
 OH.BOTTOM 1"  
 YIELD 75,000psi  
 BENT -  
 CUT -  
 ROLL -

W I R E S	LINE WIRE 1	LINE WIRE 2	CROSS WIRE
	NO. PER SHEET	21	N/A
SIZE	D6.5	N/A	D5.0
LENGTH	13'-4"	-	6'-9"
W.T./SHEET			
SHEET W.T.	87.12#		
QUANTITY	12		
SUB TOTAL WEIGHT			
TOTAL WEIGHT			
S.F./SHEET			
LBS/CSF			
Ast/LF			
ST.DENSITY			

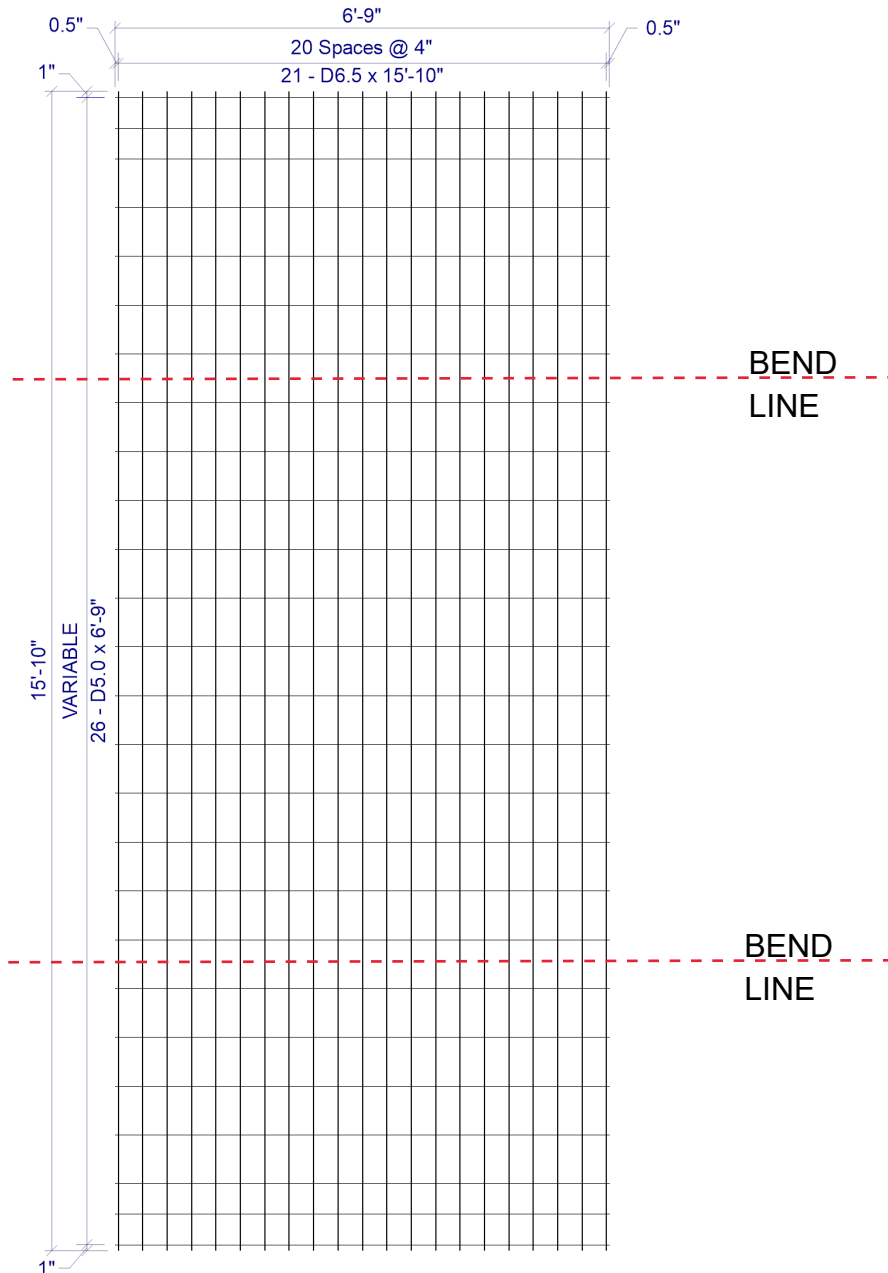
SPECIAL REMARKS:  
 BEND DIMS: SLAB=96", WALLS=32" (+0.5"GYP)

APPROVED \_\_\_\_\_

# SHEET DESIGN



**Concrete Reinforcements, Inc.**  
 3830 Presidents Way • Jacksonville, FL 32220  
 Phone: 904-520-7100 • Fax: 904-520-7101



**4 x VAR D6.5 / D5.0 (GRADE 75) 80(+0.5, +0.5) x 15'-10" (1, 1)**  
 VAR = 1" OH, 2@5", 21@8", 2@5", 1" OH

BEND LINE

BEND LINE

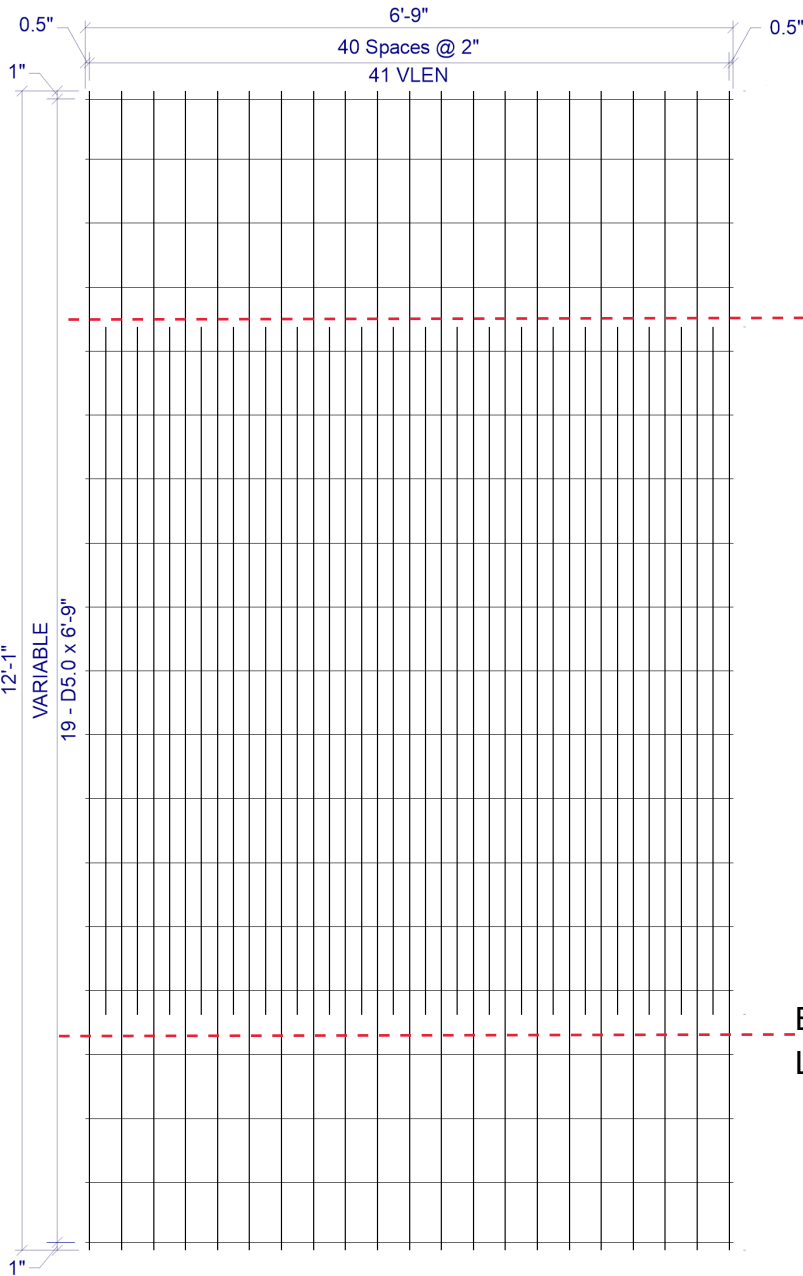
CUSTOMER American Concrete  
 PROJECT F22-4381 - Drawings - 7x6 Vanburen #4 - American - 1-23-2023  
 LOCATION Veazie, ME  
 DATE 02-02-2023 MARK NUMBER A2/A400 (-02)

L.W.SPACE 4"  
 C.W.SPACE VAR  
 L.W.1 SIZE D6.5  
 L.W.2 SIZE N/A  
 C.W.SIZE D5.0  
 WIDTH 6'-9"  
 LENGTH 15'-10"  
 OH.LEFT 0.5"  
 OH.RIGHT 0.5"  
 OH.TOP 1"  
 OH.BOTTOM 1"  
 YIELD 75,000psi  
 BENT -  
 CUT -  
 ROLL -

W I R E S	LINE WIRE 1	LINE WIRE 2	CROSS WIRE
	NO. PER SHEET	21	N/A
SIZE	D6.5	N/A	D5.0
LENGTH	15'-10"	-	6'-9"
W.T./SHEET			
SHEET W.T.	103.32#		
QUANTITY	12		
SUB TOTAL WEIGHT			
TOTAL WEIGHT			
S.F./SHEET			
LBS/CSF			
Ast/LF			
ST.DENSITY			

SPECIAL REMARKS:  
 BEND DIMS: SLAB=96", WALLS=47" (+0.5"GYP)

APPROVED \_\_\_\_\_



# SHEET DESIGN



**Concrete Reinforcements, Inc.**  
 3830 Presidents Way • Jacksonville, FL 32220  
 Phone: 904-520-7100 • Fax: 904-520-7101

CUSTOMER American Concrete  
 PROJECT F22-4381 - Drawings - 7x6 Vanburen #4 - American - 1-23-2023  
 LOCATION Veazie, ME  
 DATE 02-02-2023 MARK NUMBER B1/A100 (-03)

L.W.SPACED 2"  
 C.W.SPACED VAR  
 L.W.1 SIZE D6.5  
 L.W.2 SIZE D10.5  
 C.W.SIZE D5.0  
 WIDTH 6'-9"  
 LENGTH 12'-1"  
 OH.LEFT 0.5"  
 OH.RIGHT 0.5"  
 OH.TOP 1"  
 OH.BOTTOM 1"  
 YIELD 75,000psi  
 BENT -  
 CUT -  
 ROLL -

W I R E S	LINE WIRE 1	LINE WIRE 2	CROSS WIRE
	NO. PER SHEET	21	20
SIZE	D6.5	D10.5	D5.0
LENGTH	12'-1"	7'-2"	6'-9"
W.T./SHEET			
SHEET W.T.	129.05#		
QUANTITY	12		
SUB TOTAL WEIGHT			
TOTAL WEIGHT			
S.F./SHEET			
LBS/CSF			
Ast/LF			
ST.DENSITY			

SPECIAL REMARKS:  
 BEND DIMS: SLAB=87", WALLS=29" (+0.5"GYP)

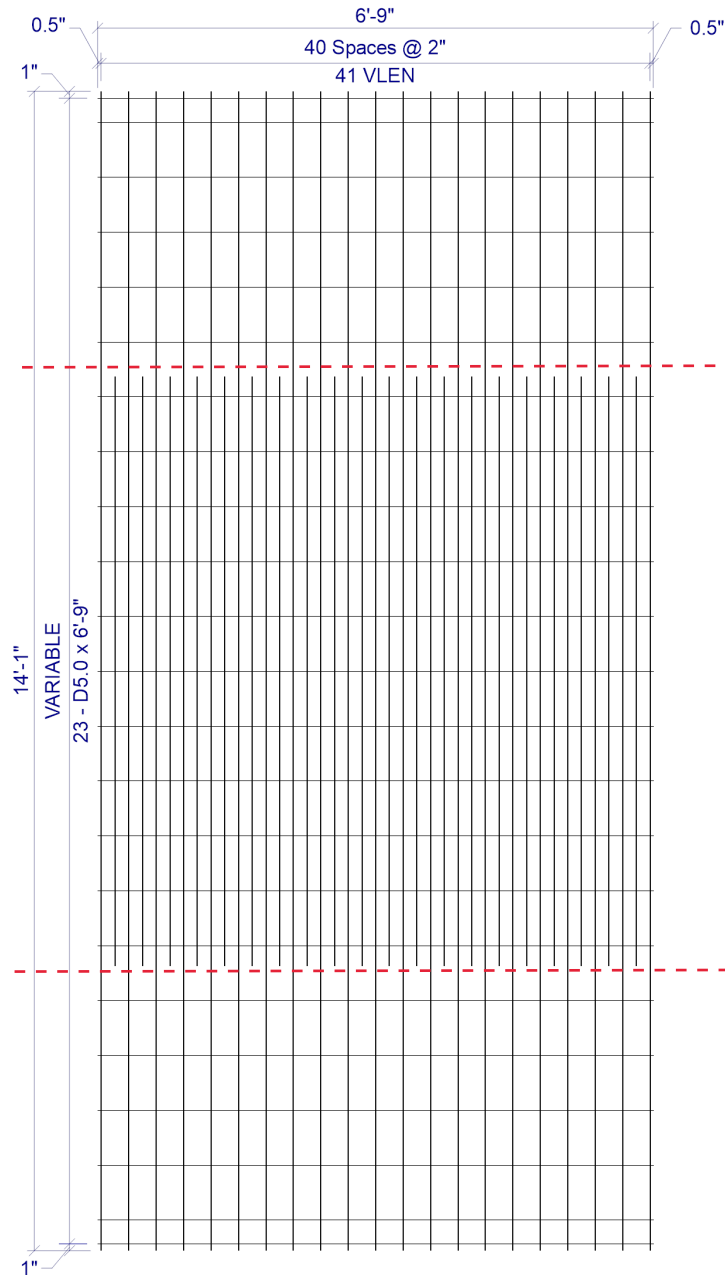
**2 x VAR D6.5 / D10.5 / D5.0 (GRADE 75) 80"(+0.5", +0.5") x VLEN(1", 1")**  
 VLEN = ALTERNATING LENGTH 7'-2" & 12'-1" WITH 12'-1" @ LHS & RHS  
 VAR = 1" OH, 1@7.5", 16@8", 1@7.5", 1" OH

APPROVED \_\_\_\_\_

# SHEET DESIGN



**Concrete Reinforcements, Inc.**  
 3830 Presidents Way • Jacksonville, FL 32220  
 Phone: 904-520-7100 • Fax: 904-520-7101



BEND LINE

BEND LINE

CUSTOMER American Concrete  
 PROJECT F22-4381 - Drawings - 7x6 Vanburen #4 - American - 1-23-2023  
 LOCATION Veazie, ME  
 DATE 02-02-2023 MARK NUMBER B1/A200 (-04)

L.W.SPACE 2"  
 C.W.SPACE VAR  
 L.W.1 SIZE D6.5  
 L.W.2 SIZE D8.9  
 C.W.SIZE D5.0  
 WIDTH 6'-9"  
 LENGTH 14'-1"  
 OH.LEFT 0.5"  
 OH.RIGHT 0.5"  
 OH.TOP 1"  
 OH.BOTTOM 1"  
 YIELD 75,000psi  
 BENT -  
 CUT -  
 ROLL -

W I R E S	LINE WIRE 1	LINE WIRE 2	CROSS WIRE
	NO. PER SHEET	21	20
SIZE	D6.5	D8.9	D5.0
LENGTH	14'-1"	7'-2"	6'-9"
W.T./SHEET			
SHEET W.T.	135.70#		
QUANTITY	12		
SUB TOTAL WEIGHT			
TOTAL WEIGHT			
S.F./SHEET			
LBS/CSF			
Ast/LF			
ST.DENSITY			

SPECIAL REMARKS:  
 BEND DIMS: SLAB=87", WALLS=41" (+0.5"GYP)

**2 x VAR D6.5 / D8.9 / D5.0 (GRADE 75) 80"(+0.5", +0.5") x VLEN(1", 1")**  
 VLEN = ALTERNATING LENGTH 7'-2" & 14'-1" WITH 14'-1" @ LHS & RHS  
 VAR = 1" OH, 1@3.5", 20@8", 1@3.5", 1" OH

APPROVED \_\_\_\_\_

# OVERALL



American Concrete Industries

1717 STILLWATER AVE. VEAZIE, ME. 04401

TEL: 207-947-8334

FAX: 207-947-3580

WWW.AMERICANCONCRETE.COM

## BILL OF MATERIALS

ITEM	QTY	DESCRIPTION	WEIGHT# EA
1	1	UPSTREAM END TOP	10,140
2	1	UPSTREAM END BOTTOM	11,780
3	8	MID SECTION TOP	9,875
4	8	MID SECTION BOTTOM	11,490
5	1	DOWNSTREAM END TOP	9,640
6	1	DOWNSTREAM END BOTTOM	11,200
7	2	SLOPED END 1	9,825
8	2	SLOPED END 2	11,635
9	2	1' x 2' x 8'-4" TOEWALL	2,495
10	12	#8 x 18" TOEWALL PIN (SHIPPED LOOSE)	

### DESIGN NOTES:

- Concrete**
  - 1.1. COMP. STRENGTH MIN. 5,000PSI @ 28 DAYS
  - 1.2. AIR-ENTRAINMENT: 5.5% MIN - 7.5% MAX
- Structural Reinforcement:**
  - 2.1. BAR PER ASTM A615, GRADE 60
  - 2.2. WWF PER ASTM A1064, GRADE 75
  - 2.3. SUPPLEMENTAL REINFORCING AS SHOWN (WHEN REQUIRED.)
  - 2.4. DESIGNED FOR 125% HL-93 WHEEL LOAD RATING
  - 2.5. 2" CLR EXT., 1 1/2" CLR INT. UNLESS NOTED OTHERWISE
- Manufacturing / Installation:**
  - 3.1. JOINTS SEALED WITH BUTYL RUBBER SEALANT.
  - 3.2. ALL JOINTS FILLED W/ NON-SHRINK GROUT AFTER INSTALLATION.
  - 3.3. STANDARD BOLT POCKETS W/ 3/4"Ø GALVANIZED HARDWARE USED TO HOLD SECTIONS WITH FLAT JOINTS TOGETHER.
- Soil / Fill Requirements:**

MINIMUM ALLOWABLE FILL: 2.75'

MAXIMUM ALLOWABLE FILL: 3.25'

NOTE: Some details not shown for clarity.

SCALE: 1/8" = 1'-0" Unless noted otherwise.

STRUCTURE NAME:  
CULVERT I: 7' x 6' x 96' (STA. 33+63.3)

JOB NAME:  
US ROUTE I (WIN 20421.10)

LOCATION:  
VAN BUREN, ME

CONTRACTOR:  
ME DOT

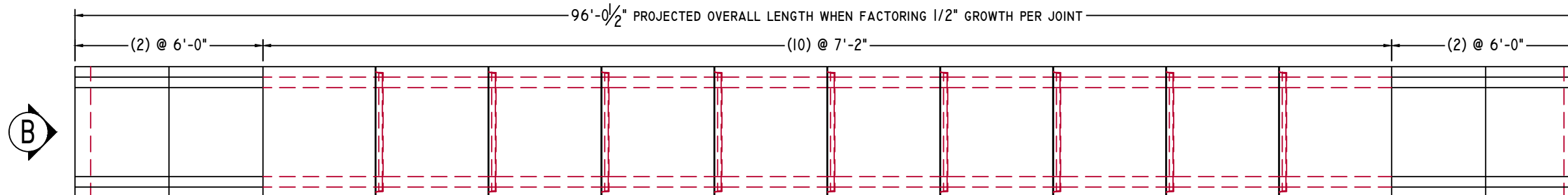
DRAWN BY:  
SSM

DATE:  
01/25/2023

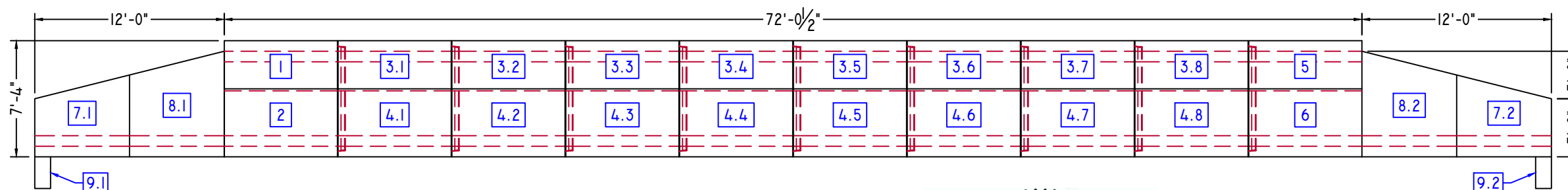
REV.#:  
0.00

DATE:  
01/25/2023

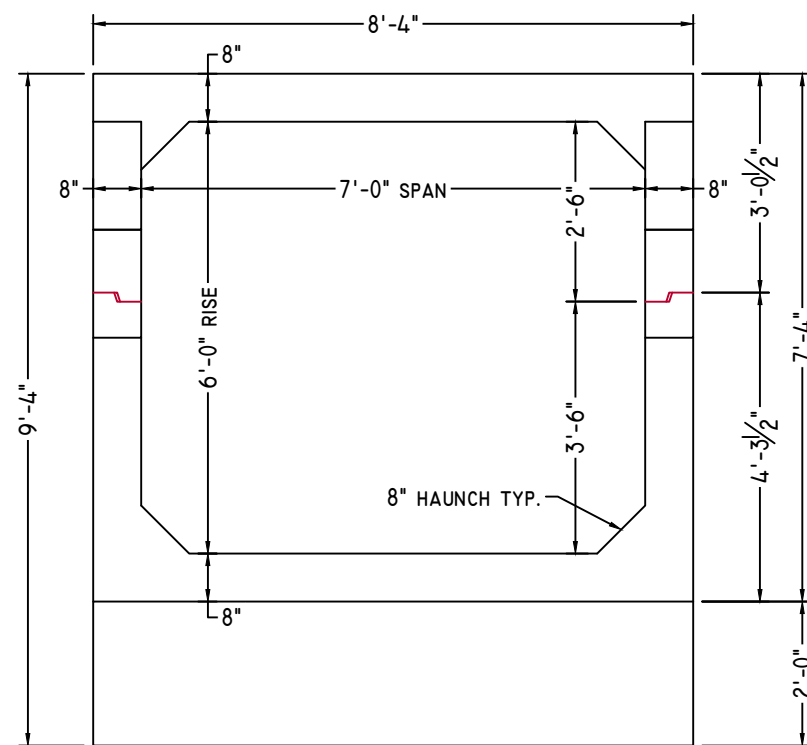
CI.0



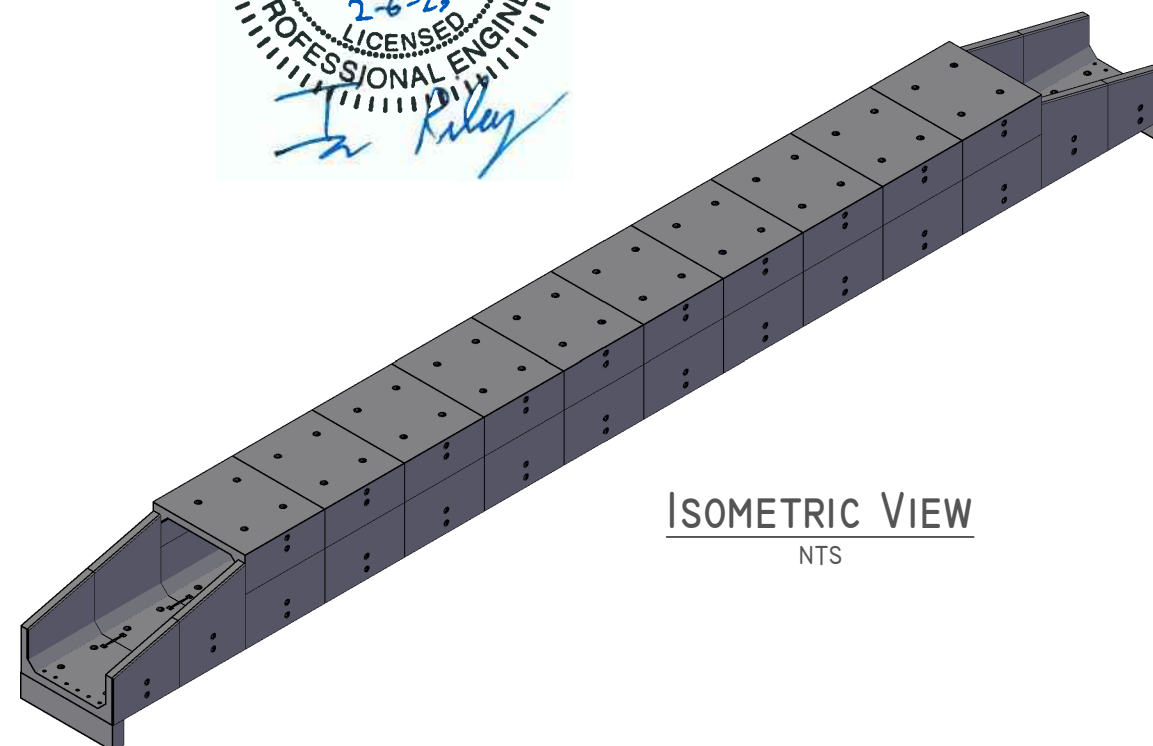
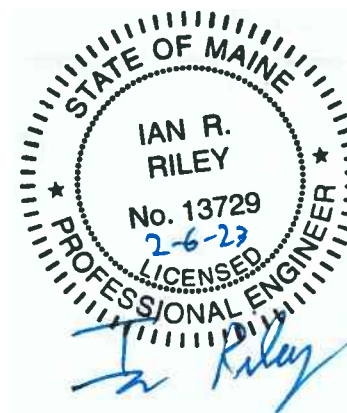
**PLAN VIEW**



**ELEVATION-A**



**ELEVATION-B**  
3/8" = 1'-0"



**ISOMETRIC VIEW**  
NTS

# SLOPED END I



American Concrete Industries

1717 STILLWATER AVE. VEAZIE, ME. 04401

TEL: 207-947-8334

FAX: 207-947-3580

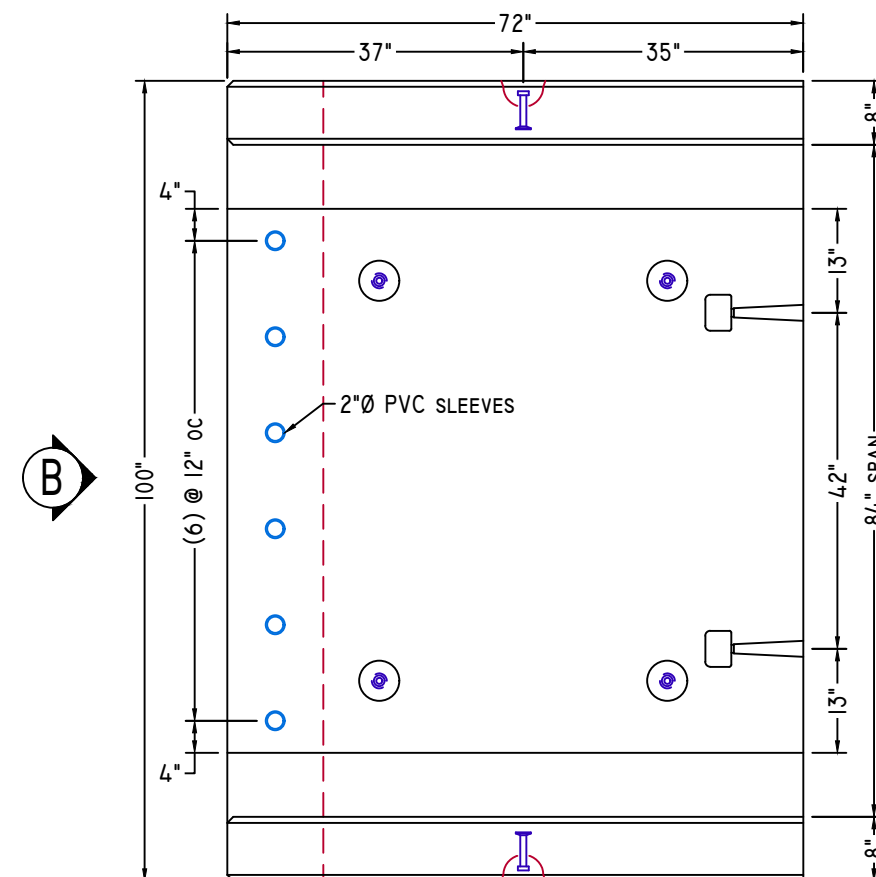
WWW.AMERICANCONCRETE.COM

## BILL OF MATERIALS

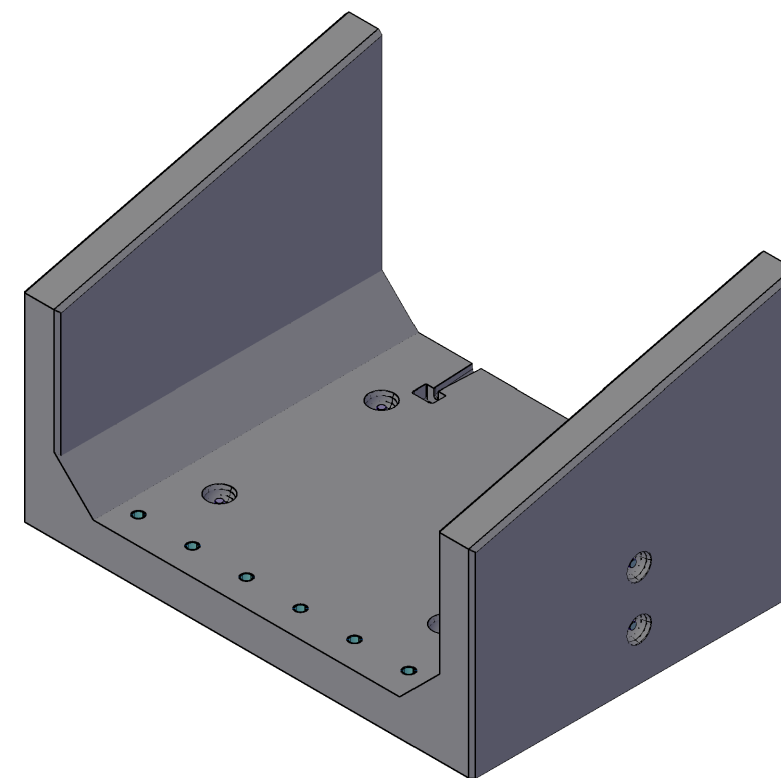
ITEM	QTY	DESCRIPTION	WEIGHT# EA
7	2	SLOPED END I	9,825

### DESIGN NOTES:

- Concrete**
  - 1.1. COMP. STRENGTH MIN. 5,000PSI @ 28 DAYS
  - 1.2. AIR-ENTRAINMENT: 5.5% MIN - 7.5% MAX
- Structural Reinforcement:**
  - 2.1. BAR PER ASTM A615, GRADE 60
  - 2.2. WWF PER ASTM A1064, GRADE 75
  - 2.3. SUPPLEMENTAL REINFORCING AS SHOWN (WHEN REQUIRED.)
  - 2.4. DESIGNED FOR 125% HL-93 WHEEL LOAD RATING
  - 2.5. 2" CLR EXT., 1 1/2" CLR INT. UNLESS NOTED OTHERWISE
- Manufacturing / Installation:**
  - 3.1. JOINTS SEALED WITH BUTYL RUBBER SEALANT.
  - 3.2. ALL JOINTS FILLED W/ NON-SHRINK GROUT AFTER INSTALLATION.
  - 3.3. STANDARD BOLT POCKETS W/ 3/4"Ø GALVANIZED HARDWARE USED TO HOLD SECTIONS WITH FLAT JOINTS TOGETHER.
- Soil / Fill Requirements:**
  - MINIMUM ALLOWABLE FILL: 2.75'
  - MAXIMUM ALLOWABLE FILL: 3.25'

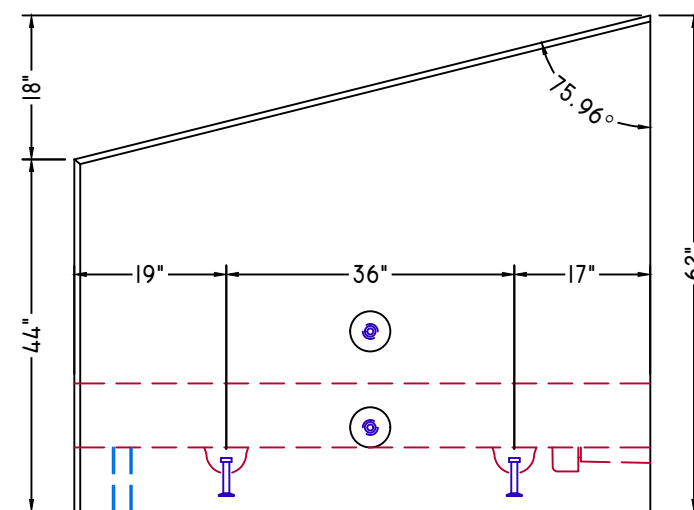


PLAN VIEW

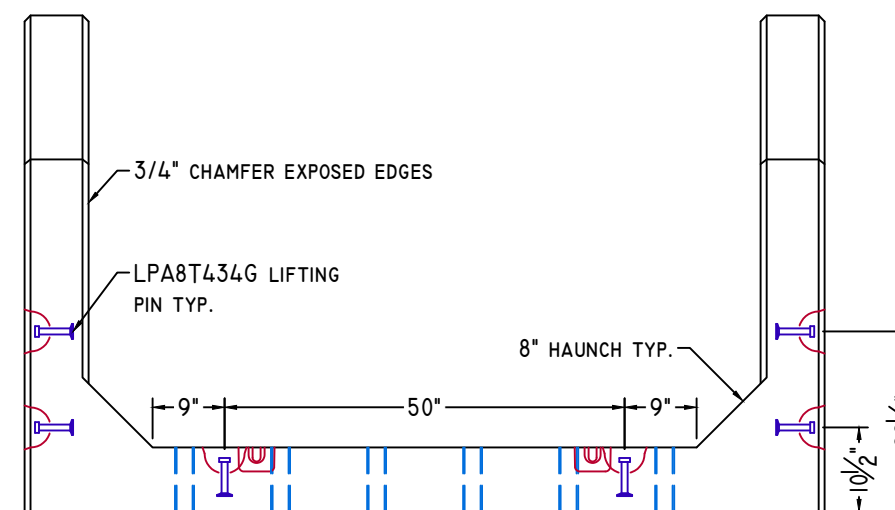


ISOMETRIC VIEW

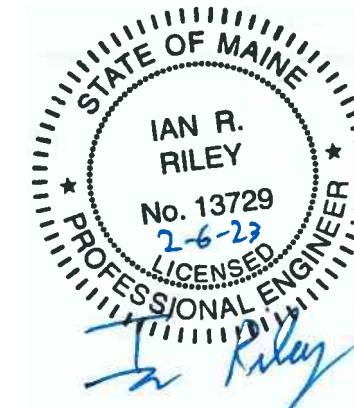
NTS



ELEVATION-A



ELEVATION-B



NOTE: Some details not shown for clarity.

SCALE: 1/2" = 1'-0" Unless noted otherwise.

STRUCTURE NAME:	CULVERT I: 7' x 6' x 96' (STA. 33+63.3)
JOB NAME:	US ROUTE I (WIN 20421.10)
LOCATION:	VAN BUREN, ME
CONTRACTOR:	ME DOT

DRAWN BY:	DATE:	CI.1
SSM	01/25/2023	
REV.#:	DATE:	
0.00	01/25/2023	

# SLOPED END 2



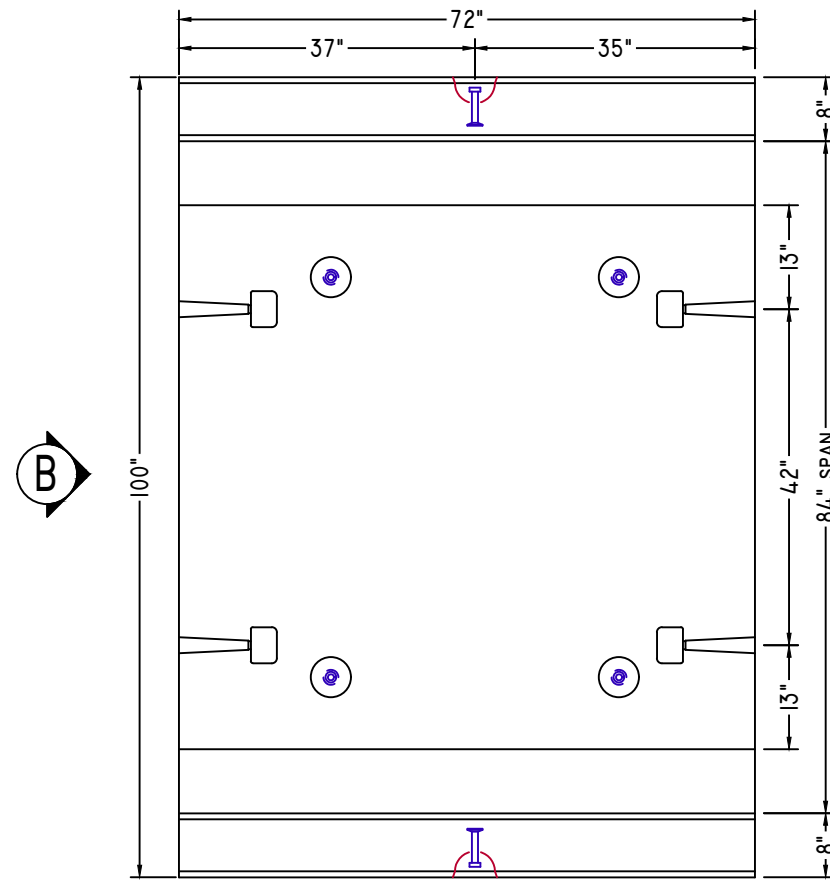
American Concrete Industries  
 1717 STILLWATER AVE. VEAZIE, ME. 04401  
 TEL: 207-947-8334  
 FAX: 207-947-3580  
 WWW.AMERICANCONCRETE.COM

## BILL OF MATERIALS

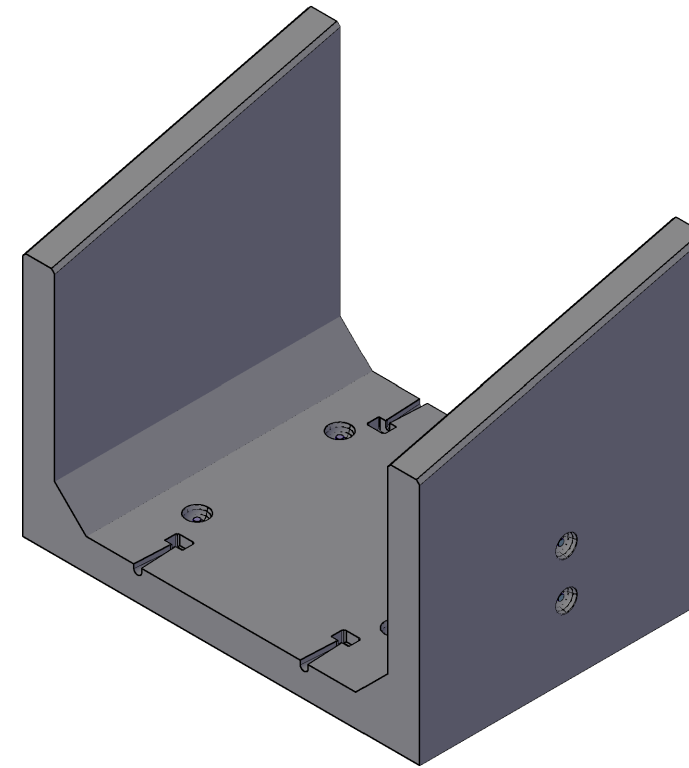
ITEM	QTY	DESCRIPTION	WEIGHT# EA
8	2	SLOPED END 2	11,635

### DESIGN NOTES:

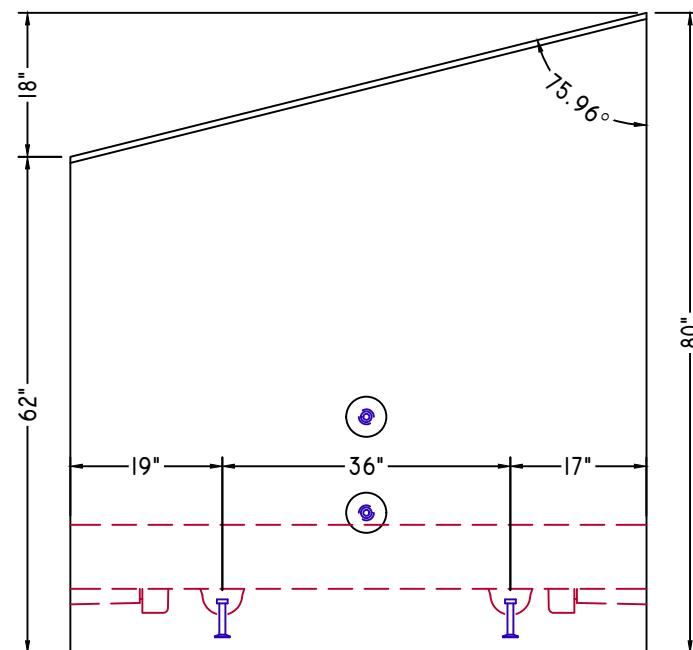
1. **Concrete**
  - 1.1. COMP. STRENGTH MIN. 5,000PSI @ 28 DAYS
  - 1.2. AIR-ENTRAINMENT: 5.5% MIN - 7.5% MAX
2. **Structural Reinforcement:**
  - 2.1. BAR PER ASTM A615, GRADE 60
  - 2.2. WWF PER ASTM A1064, GRADE 75
  - 2.3. SUPPLEMENTAL REINFORCING AS SHOWN (WHEN REQUIRED.)
  - 2.4. DESIGNED FOR 125% HL-93 WHEEL LOAD RATING
  - 2.5. 2" CLR EXT., 1 1/2" CLR INT. UNLESS NOTED OTHERWISE
3. **Manufacturing / Installation:**
  - 3.1. JOINTS SEALED WITH BUTYL RUBBER SEALANT.
  - 3.2. ALL JOINTS FILLED W/ NON-SHRINK GROUT AFTER INSTALLATION.
  - 3.3. STANDARD BOLT POCKETS W/ 3/4"Ø GALVANIZED HARDWARE USED TO HOLD SECTIONS WITH FLAT JOINTS TOGETHER.
4. **Soil / Fill Requirements:**
  - MINIMUM ALLOWABLE FILL: 2.75'
  - MAXIMUM ALLOWABLE FILL: 3.25'



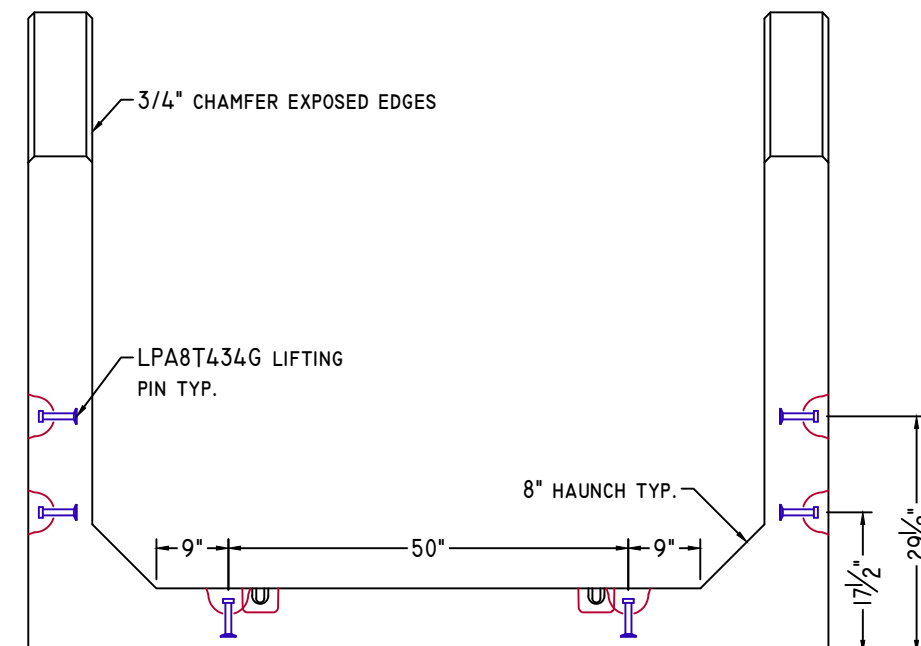
PLAN VIEW



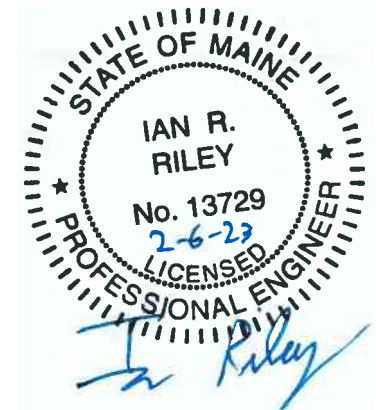
ISOMETRIC VIEW  
NTS



ELEVATION-A



ELEVATION-B



NOTE: Some details not shown for clarity.  
 SCALE: 1/2" = 1'-0" Unless noted otherwise.

STRUCTURE NAME: CULVERT I: 7' x 6' x 96' (STA. 33+63.3)	
JOB NAME: US ROUTE I (WIN 20421.10)	
LOCATION: VAN BUREN, ME	
CONTRACTOR: ME DOT	

DRAWN BY: SSM	DATE: 01/25/2023
REV.#: 0.00	DATE: 01/25/2023

CI.2

# UPSTREAM END



American Concrete Industries

1717 STILLWATER AVE. VEAZIE, ME. 04401

TEL: 207-947-8334

FAX: 207-947-3580

WWW.AMERICANCONCRETE.COM

## BILL OF MATERIALS

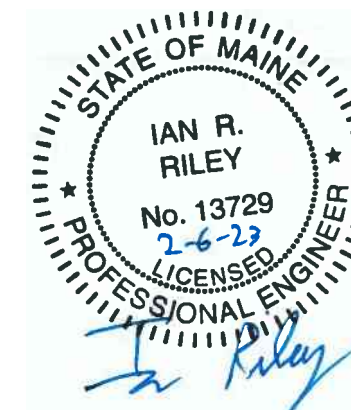
ITEM	QTY	DESCRIPTION	WEIGHT# EA
1	1	UPSTREAM END TOP	10,140
2	1	UPSTREAM END BOTTOM	11,780

### DESIGN NOTES:

- Concrete**
  - 1.1. COMP. STRENGTH MIN. 5,000PSI @ 28 DAYS
  - 1.2. AIR-ENTRAINMENT: 5.5% MIN - 7.5% MAX
- Structural Reinforcement:**
  - 2.1. BAR PER ASTM A615, GRADE 60
  - 2.2. WWF PER ASTM A1064, GRADE 75
  - 2.3. SUPPLEMENTAL REINFORCING AS SHOWN (WHEN REQUIRED.)
  - 2.4. DESIGNED FOR 125% HL-93 WHEEL LOAD RATING
  - 2.5. 2" CLR EXT., 1 1/2" CLR INT. UNLESS NOTED OTHERWISE
- Manufacturing / Installation:**
  - 3.1. JOINTS SEALED WITH BUTYL RUBBER SEALANT.
  - 3.2. ALL JOINTS FILLED W/ NON-SHRINK GROUT AFTER INSTALLATION.
  - 3.3. STANDARD BOLT POCKETS W/ 3/4"Ø GALVANIZED HARDWARE USED TO HOLD SECTIONS WITH FLAT JOINTS TOGETHER.
- Soil / Fill Requirements:**

MINIMUM ALLOWABLE FILL: 2.75'

MAXIMUM ALLOWABLE FILL: 3.25'



NOTE: Some details not shown for clarity.

SCALE: 1/2" = 1'-0" Unless noted otherwise.

STRUCTURE NAME:  
CULVERT I: 7' x 6' x 96' (STA. 33+63.3)

JOB NAME:  
US ROUTE I (WIN 20421.10)

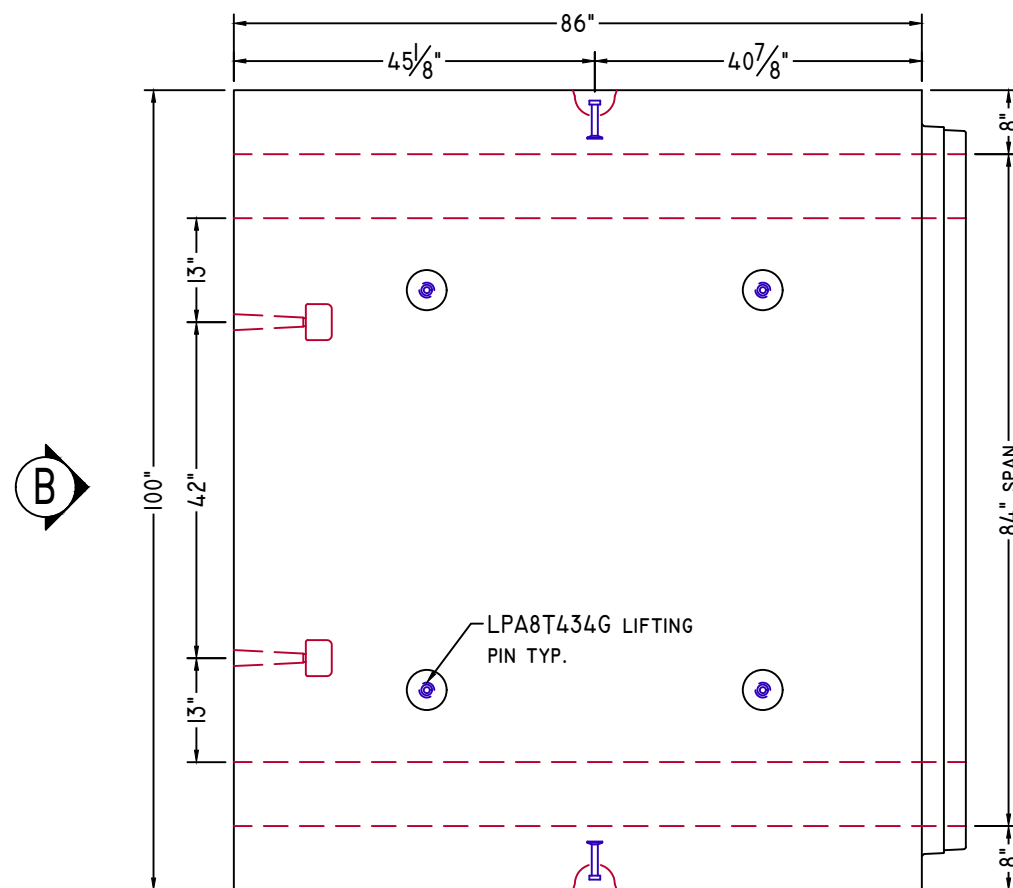
LOCATION:  
VAN BUREN, ME

CONTRACTOR:  
ME DOT

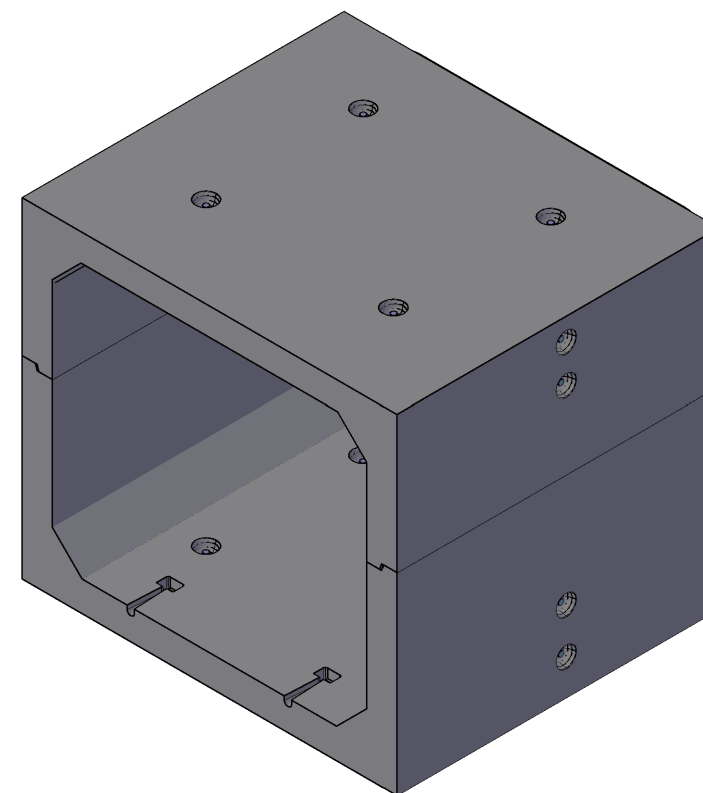
DRAWN BY: SSM DATE: 01/25/2023

REV.#: 0.00 DATE: 01/25/2023

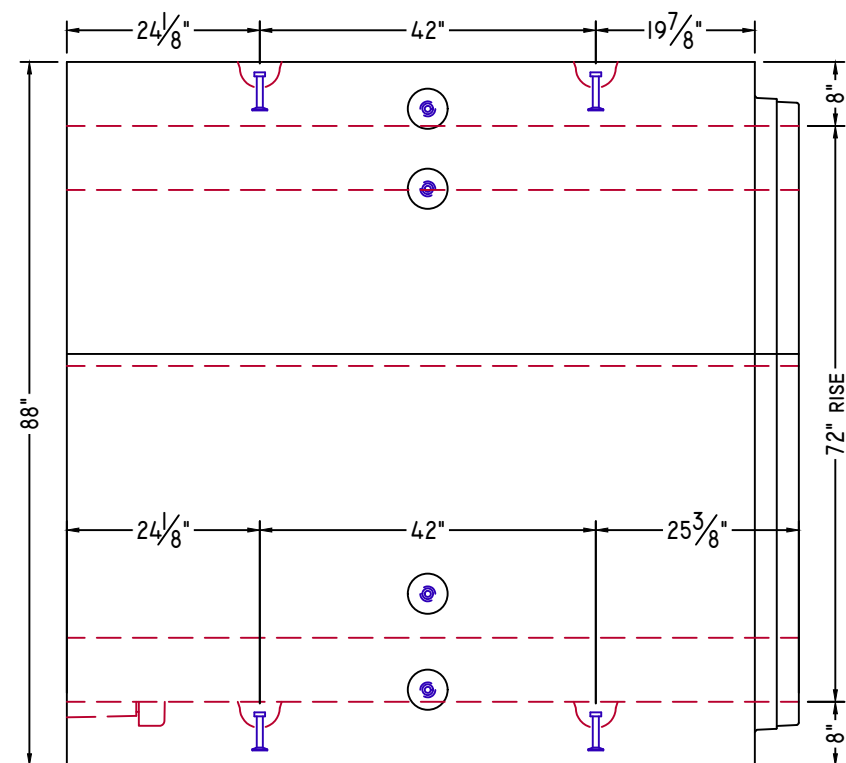
CI.3



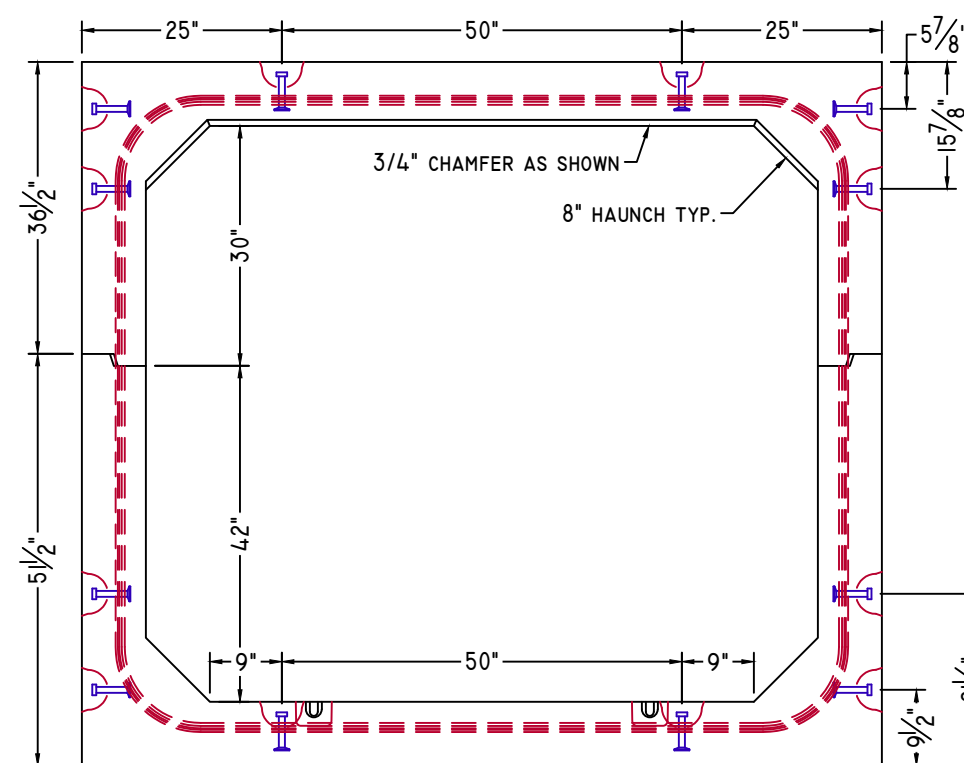
**PLAN VIEW**



**ISOMETRIC VIEW**  
NTS



**ELEVATION-A**



**ELEVATION-B**

# MID SECTION



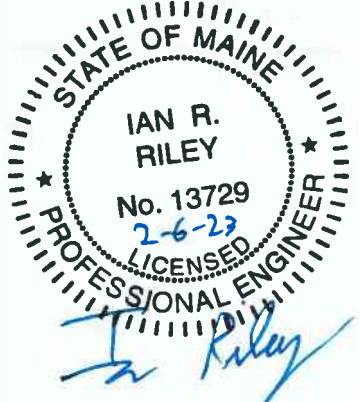
American Concrete Industries  
 1717 STILLWATER AVE. VEAZIE, ME. 04401  
 TEL: 207-947-8334  
 FAX: 207-947-3580  
 WWW.AMERICANCONCRETE.COM

### BILL OF MATERIALS

ITEM	QTY	DESCRIPTION	WEIGHT# EA
3	8	MID SECTION TOP	9,875
4	8	MID SECTION BOTTOM	11,490

- DESIGN NOTES:
- Concrete**
    - 1.1. COMP. STRENGTH MIN. 5,000PSI @ 28 DAYS
    - 1.2. AIR-ENTRAINMENT: 5.5% MIN - 7.5% MAX
  - Structural Reinforcement:**
    - 2.1. BAR PER ASTM A615, GRADE 60
    - 2.2. WWF PER ASTM A1064, GRADE 75
    - 2.3. SUPPLEMENTAL REINFORCING AS SHOWN (WHEN REQUIRED.)
    - 2.4. DESIGNED FOR 125% HL-93 WHEEL LOAD RATING
    - 2.5. 2" CLR EXT., 1 1/2" CLR INT. UNLESS NOTED OTHERWISE
  - Manufacturing / Installation:**
    - 3.1. JOINTS SEALED WITH BUTYL RUBBER SEALANT.
    - 3.2. ALL JOINTS FILLED W/ NON-SHRINK GROUT AFTER INSTALLATION.
    - 3.3. STANDARD BOLT POCKETS W/ 3/4"Ø GALVANIZED HARDWARE USED TO HOLD SECTIONS WITH FLAT JOINTS TOGETHER.
  - Soil / Fill Requirements:**

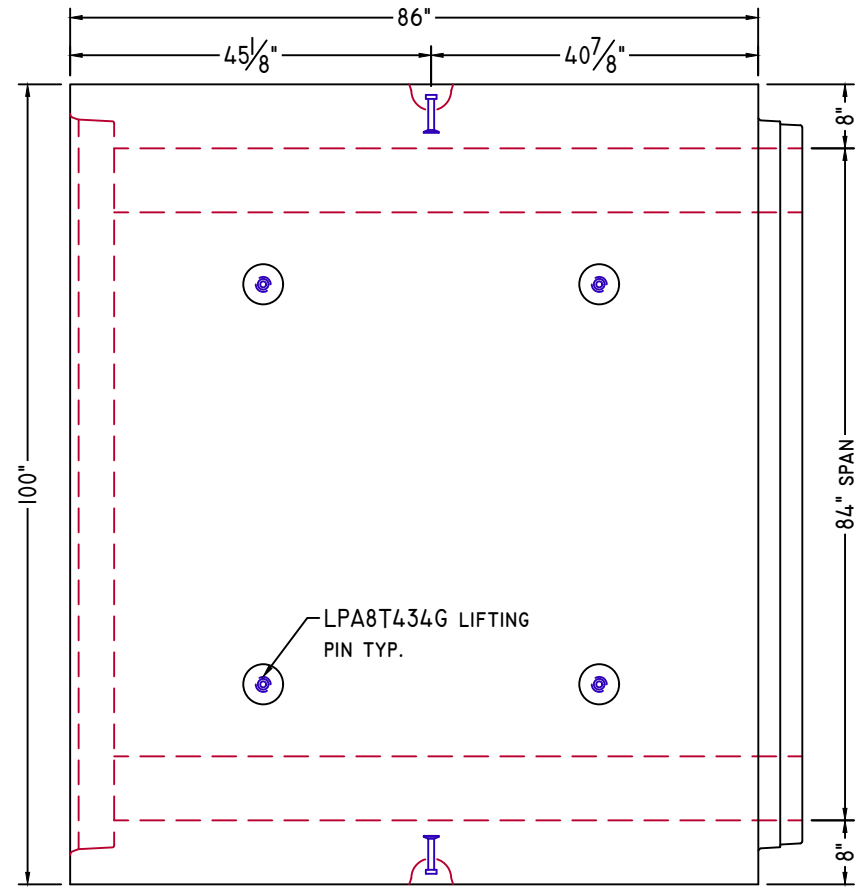
MINIMUM ALLOWABLE FILL: 2.75'  
 MAXIMUM ALLOWABLE FILL: 3.25'



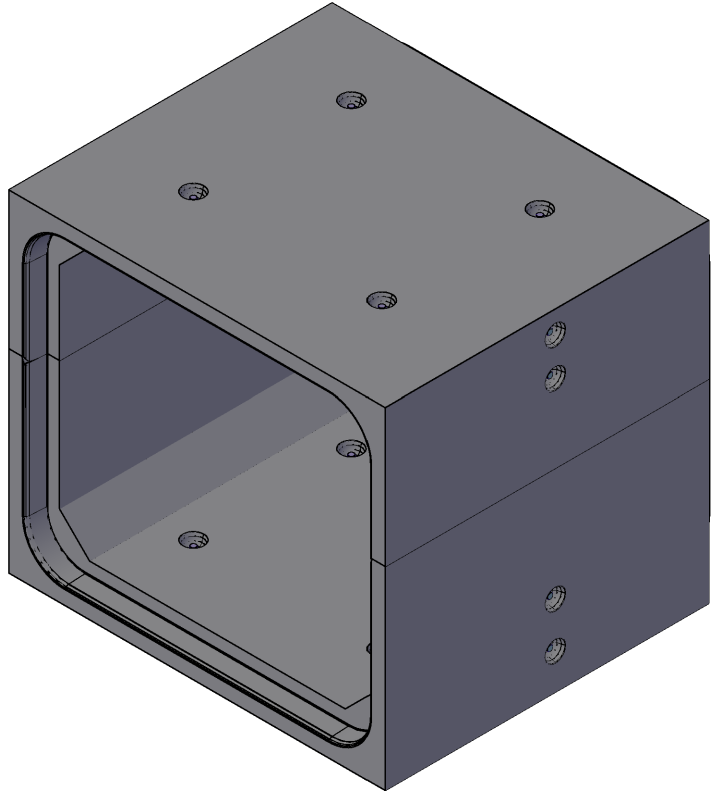
NOTE: Some details not shown for clarity.  
 SCALE: 1/2" = 1'-0" Unless noted otherwise.

STRUCTURE NAME: CULVERT I: 7' x 6' x 96' (STA. 33+63.3)	
JOB NAME: US ROUTE I (WIN 20421.10)	
LOCATION: VAN BUREN, ME	
CONTRACTOR: ME DOT	

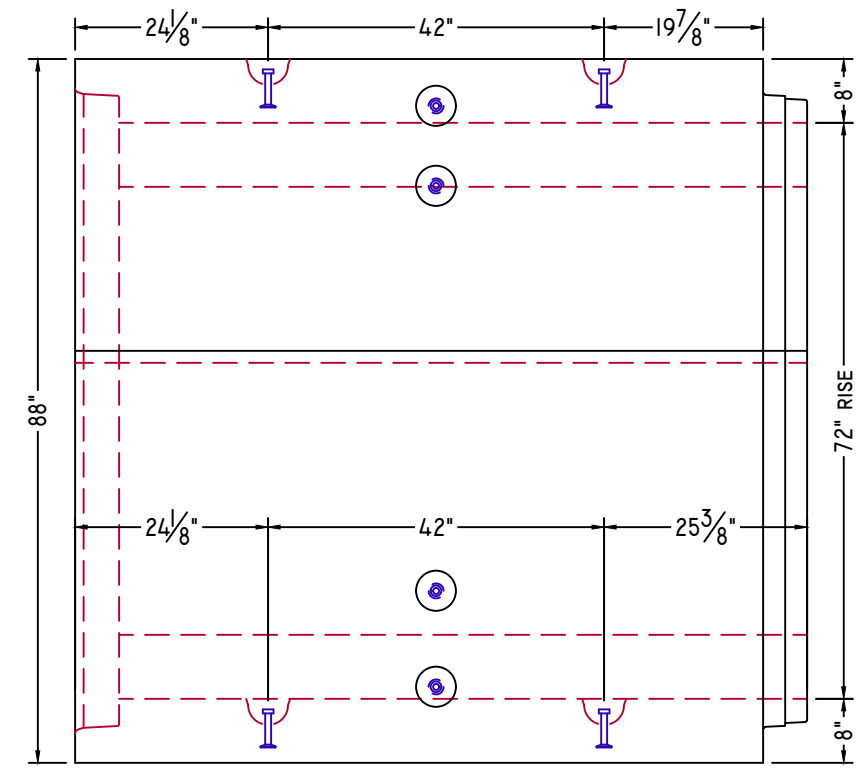
DRAWN BY: SSM	DATE: 01/25/2023	CI.4
REV.#: 0.00	DATE: 01/25/2023	



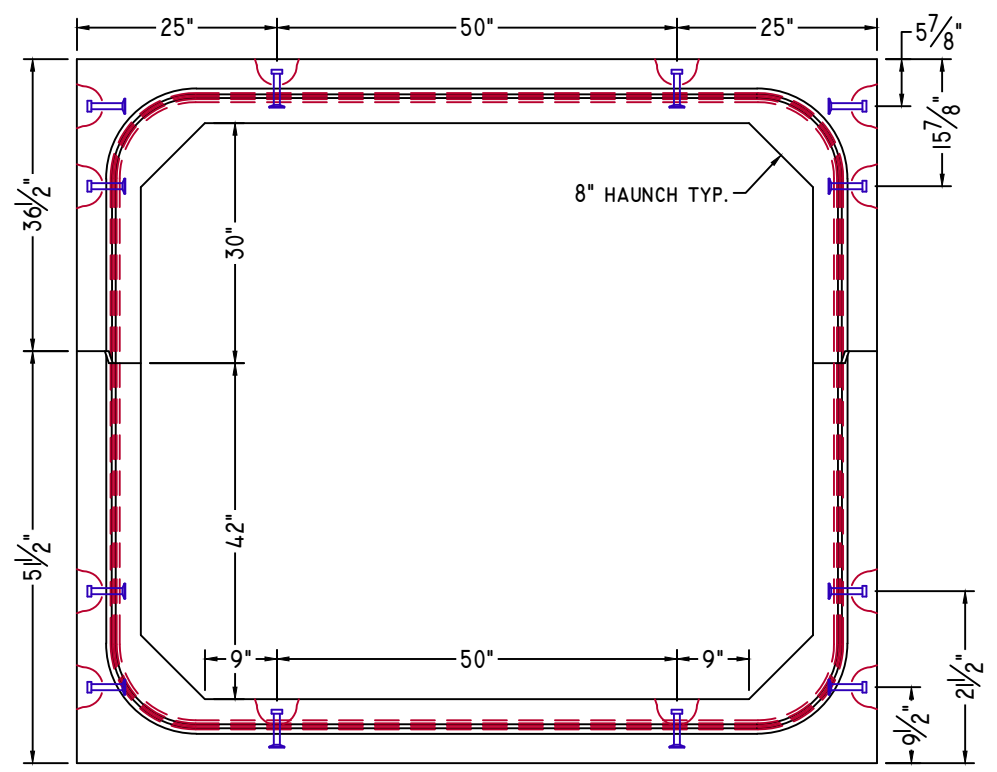
**PLAN VIEW**



**ISOMETRIC VIEW**  
NTS



**ELEVATION-A**



**ELEVATION-B**

# DOWNSTREAM END



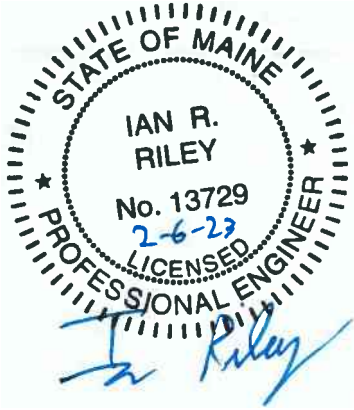
American Concrete Industries  
 1717 STILLWATER AVE. VEAZIE, ME. 04401  
 TEL: 207-947-8334  
 FAX: 207-947-3580  
 WWW.AMERICANCONCRETE.COM

## BILL OF MATERIALS

ITEM	QTY	DESCRIPTION	WEIGHT# EA
5	1	DOWNSTREAM END TOP	9,640
6	1	DOWNSTREAM END BOTTOM	11,200

- DESIGN NOTES:
- Concrete**
    - 1.1. COMP. STRENGTH MIN. 5,000PSI @ 28 DAYS
    - 1.2. AIR-ENTRAINMENT: 5.5% MIN - 7.5% MAX
  - Structural Reinforcement:**
    - 2.1. BAR PER ASTM A615, GRADE 60
    - 2.2. WWF PER ASTM A1064, GRADE 75
    - 2.3. SUPPLEMENTAL REINFORCING AS SHOWN (WHEN REQUIRED.)
    - 2.4. DESIGNED FOR 125% HL-93 WHEEL LOAD RATING
    - 2.5. 2" CLR EXT., 1 1/2" CLR INT. UNLESS NOTED OTHERWISE
  - Manufacturing / Installation:**
    - 3.1. JOINTS SEALED WITH BUTYL RUBBER SEALANT.
    - 3.2. ALL JOINTS FILLED W/ NON-SHRINK GROUT AFTER INSTALLATION.
    - 3.3. STANDARD BOLT POCKETS W/ 3/4"Ø GALVANIZED HARDWARE USED TO HOLD SECTIONS WITH FLAT JOINTS TOGETHER.
  - Soil / Fill Requirements:**

MINIMUM ALLOWABLE FILL: 2.75'  
 MAXIMUM ALLOWABLE FILL: 3.25'



NOTE: Some details not shown for clarity.  
 SCALE: 1/2" = 1'-0" Unless noted otherwise.

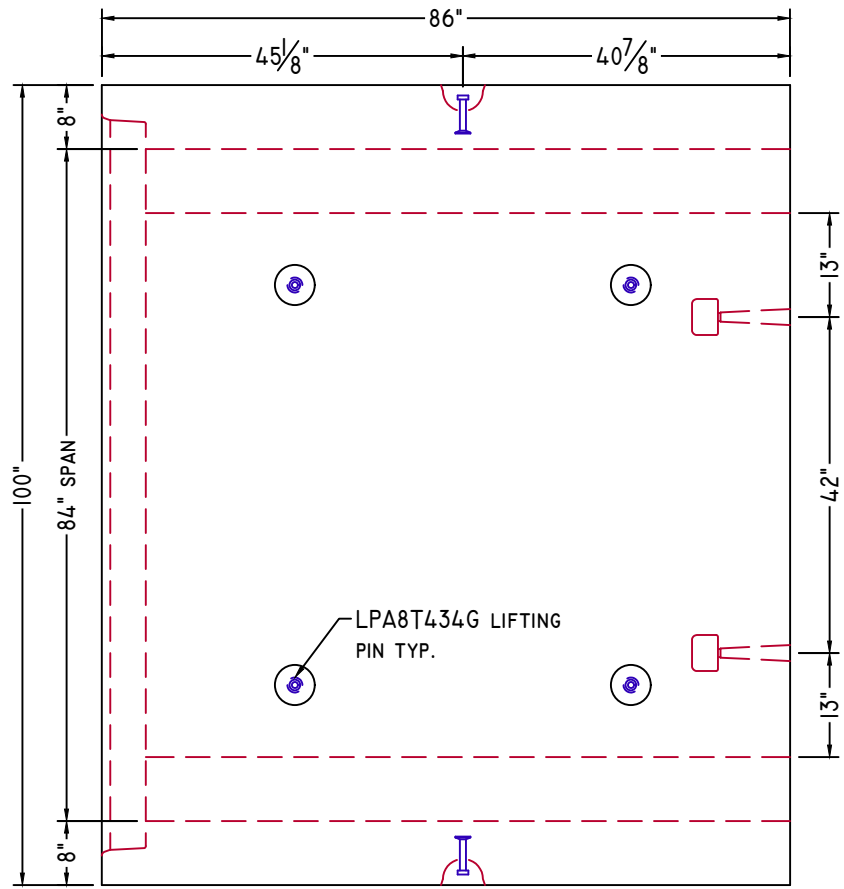
STRUCTURE NAME: CULVERT I: 7' x 6' x 96' (STA. 33+63.3)

JOB NAME: US ROUTE I (WIN 20421.10)

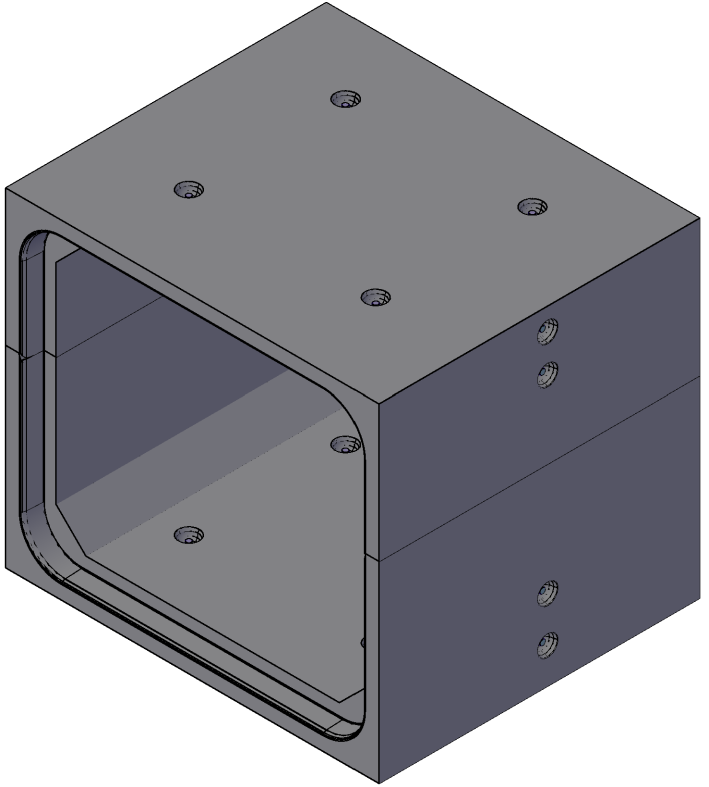
LOCATION: VAN BUREN, ME

CONTRACTOR: ME DOT

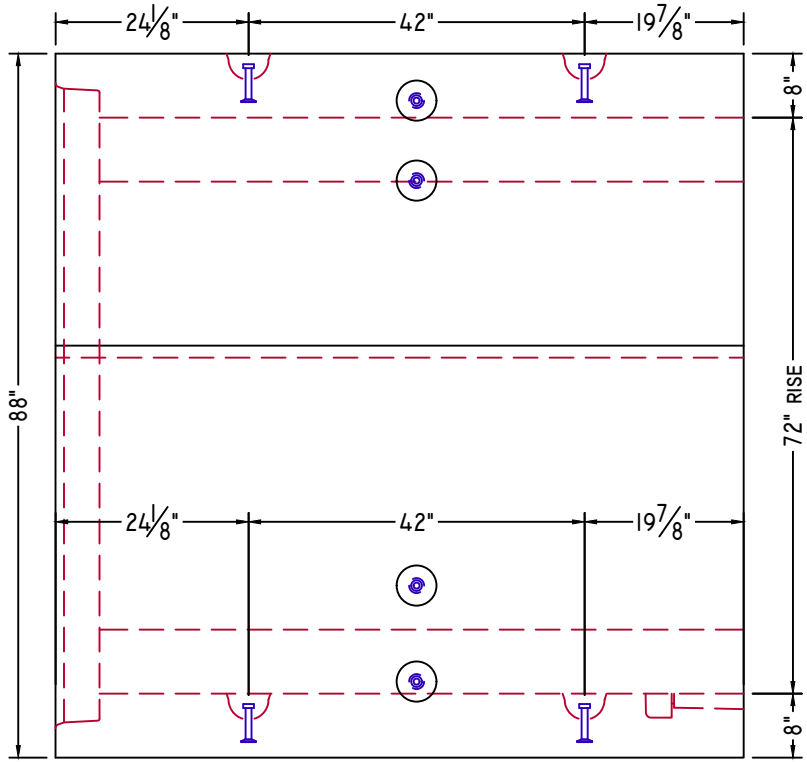
DRAWN BY: SSM	DATE: 01/25/2023	CI.5
REV.#: 0.00	DATE: 01/25/2023	



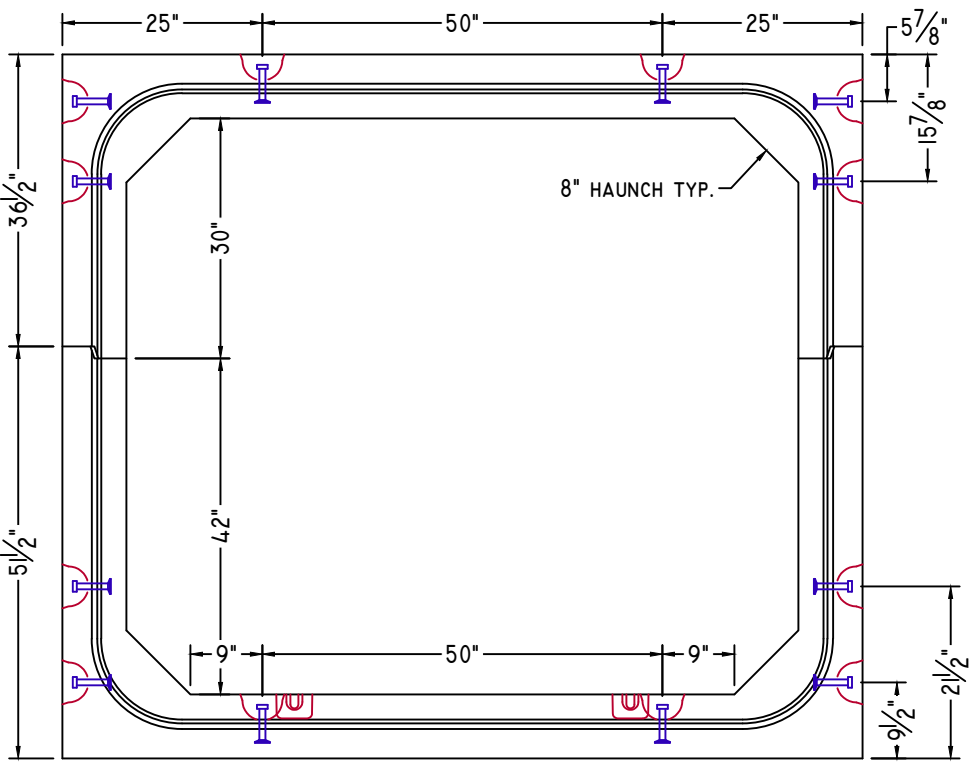
**PLAN VIEW**



**ISOMETRIC VIEW**  
NTS



**ELEVATION-A**



**ELEVATION-B**

# STANDARD DETAILS



American Concrete Industries

1717 STILLWATER AVE. VEAZIE, ME. 04401

TEL: 207-947-8334

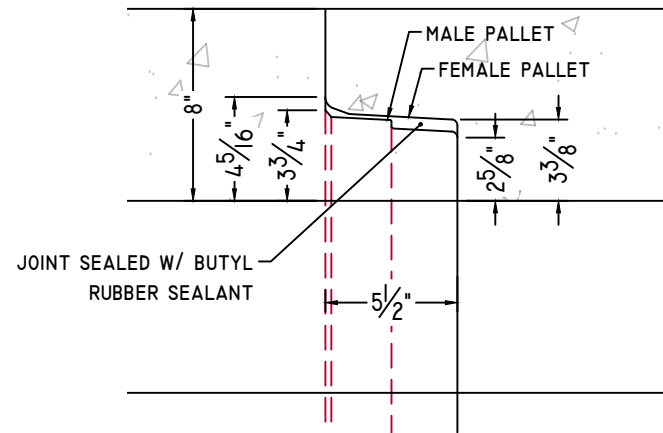
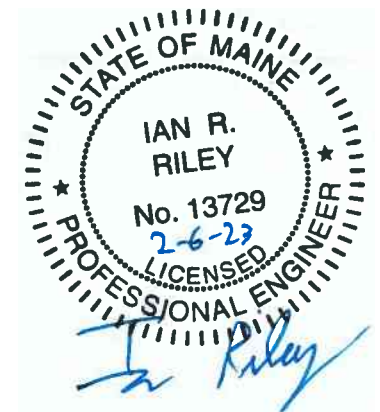
FAX: 207-947-3580

WWW.AMERICANCONCRETE.COM

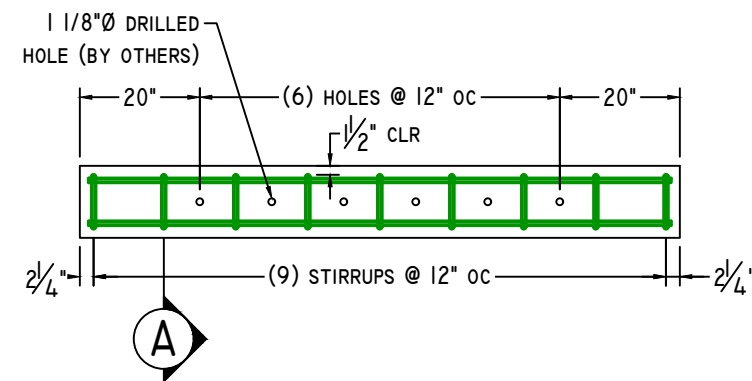
## BILL OF MATERIALS

ITEM	QTY	DESCRIPTION	WEIGHT# EA
------	-----	-------------	------------

INTENTIONALLY LEFT BLANK

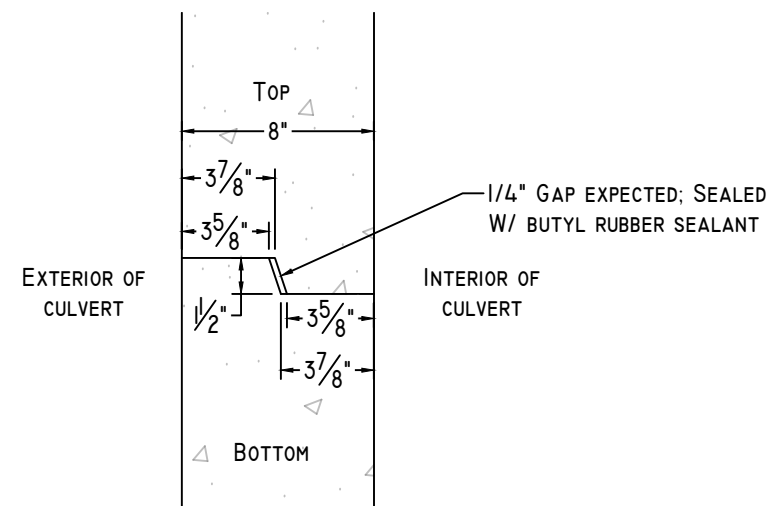


**CULVERT JOINT DETAIL**

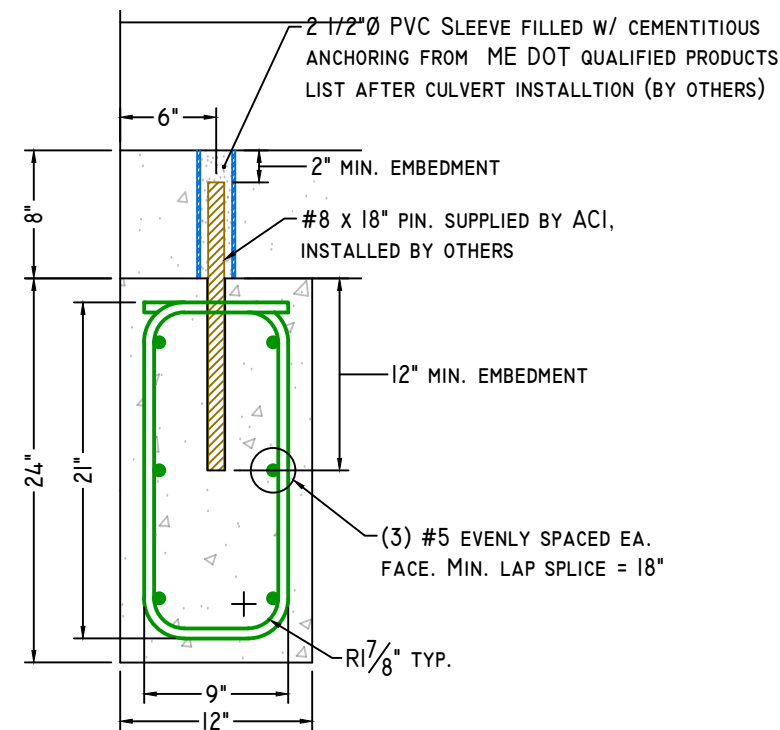


**TOEWALL DETAIL**

3/8" = 1'-0"

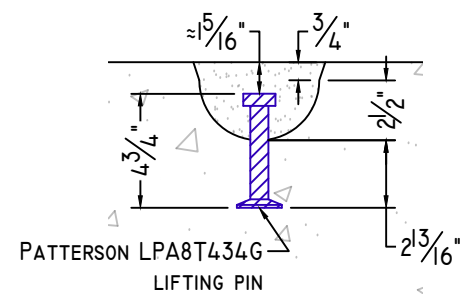


**CLAMSHELL JOINT DETAIL**



**SECTION-A**

1" = 1'-0"



**8T 4 3/4" LIFTING PIN DETAIL**

NOTE: Some details not shown for clarity.  
SCALE: 1 1/2" = 1'-0" Unless noted otherwise.

STRUCTURE NAME:		CULVERT I: 7' x 6' x 96' (STA. 33+63.3)
JOB NAME:		US ROUTE I (WIN 20421.10)
LOCATION:		VAN BUREN, ME
CONTRACTOR:		ME DOT
DRAWN BY:	DATE:	DI.0
SSM	01/25/2023	
REV.#:	DATE:	
0.00	01/25/2023	

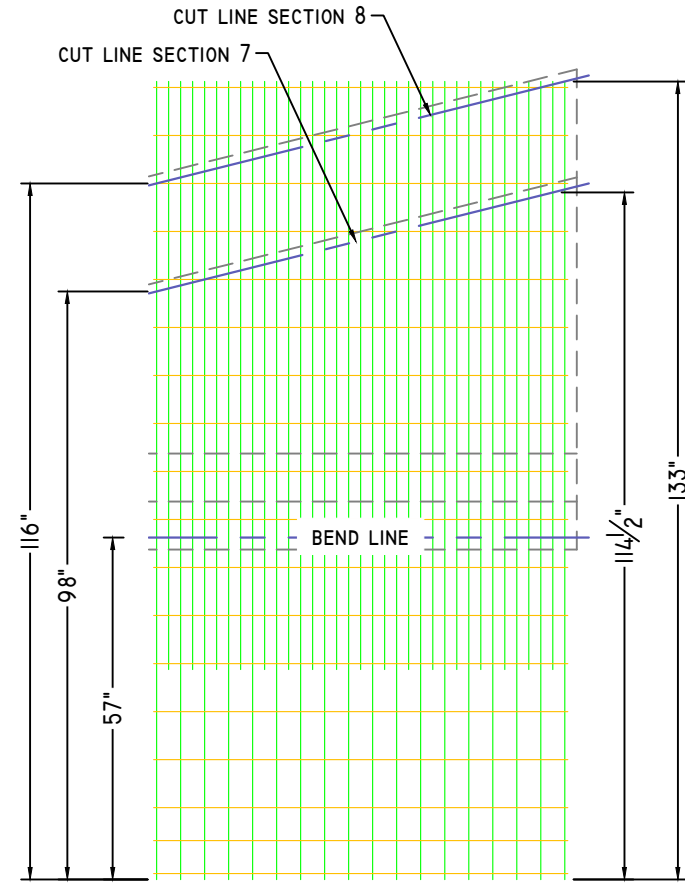
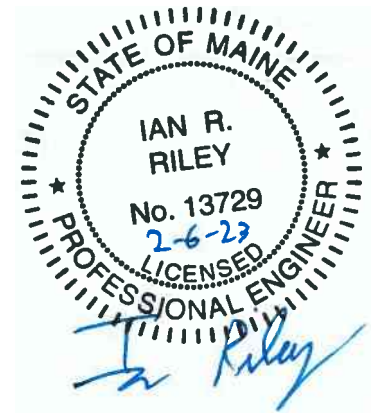
# WELDED WIRE DETAILS



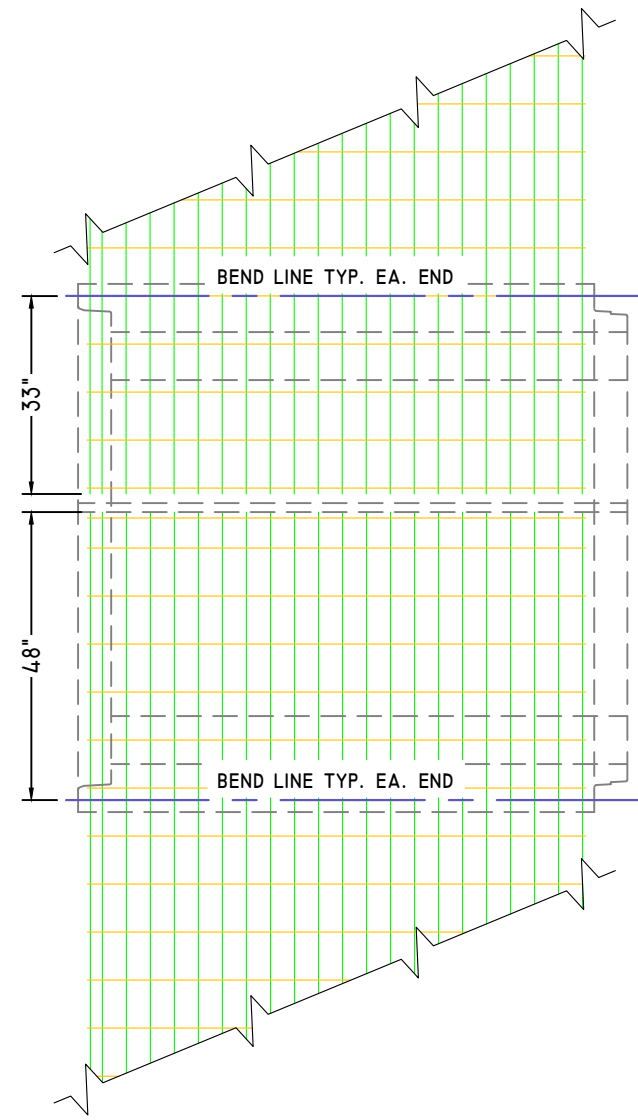
American Concrete Industries  
 1717 STILLWATER AVE. VEAZIE, ME. 04401  
 TEL: 207-947-8334  
 FAX: 207-947-3580  
 WWW.AMERICANCONCRETE.COM

## BILL OF MATERIALS

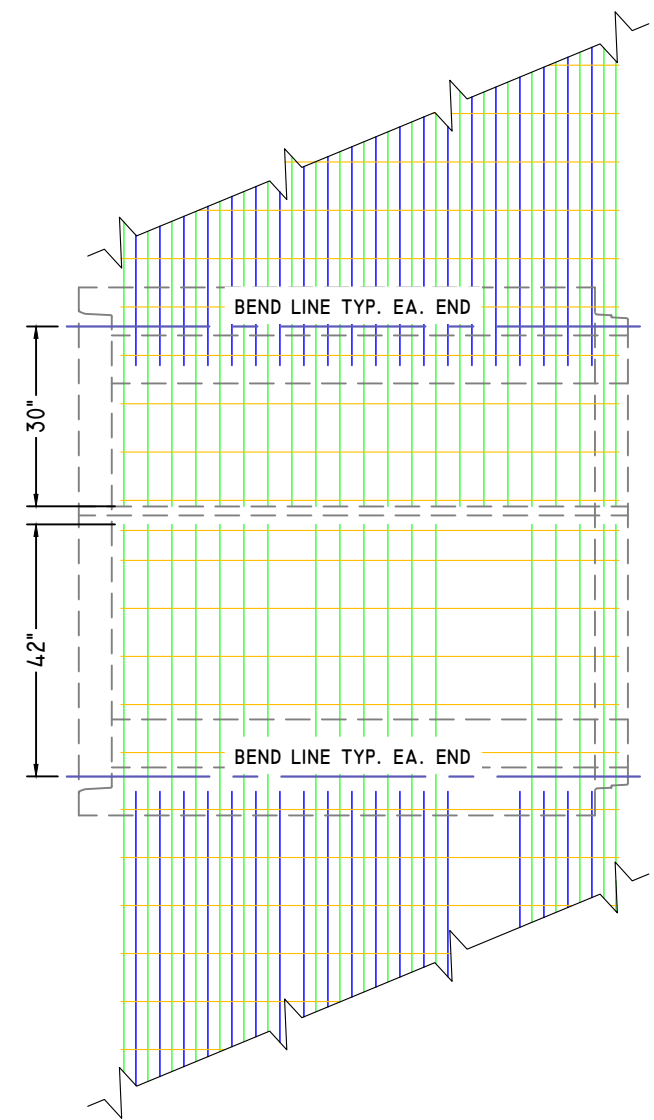
ITEM	QTY	DESCRIPTION	WEIGHT# EA
INTENTIONALLY LEFT BLANK			



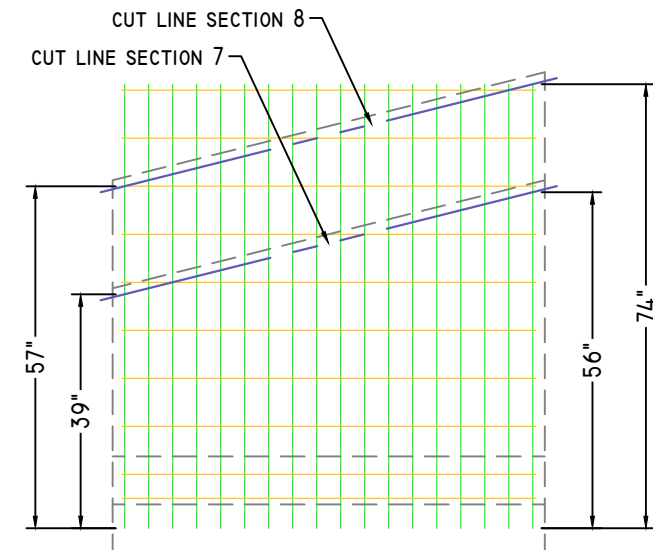
WWF SECTION 7, 8 EXT.



ALL BOX SECTIONS, EXTERIOR



ALL BOX SECTIONS, INTERIOR



WWF SECTION 7, 8 INT.

NOTE: Some details not shown for clarity.  
 SCALE: 3/8" = 1'-0" Unless noted otherwise.

STRUCTURE NAME: CULVERT I: 7' x 6' x 96' (STA. 33+63.3)	
JOB NAME: US ROUTE I (WIN 20421.10)	
LOCATION: VAN BUREN, ME	
CONTRACTOR: ME DOT	

DRAWN BY: SSM	DATE: 01/25/2023
REV.#: 0.00	DATE: 01/25/2023

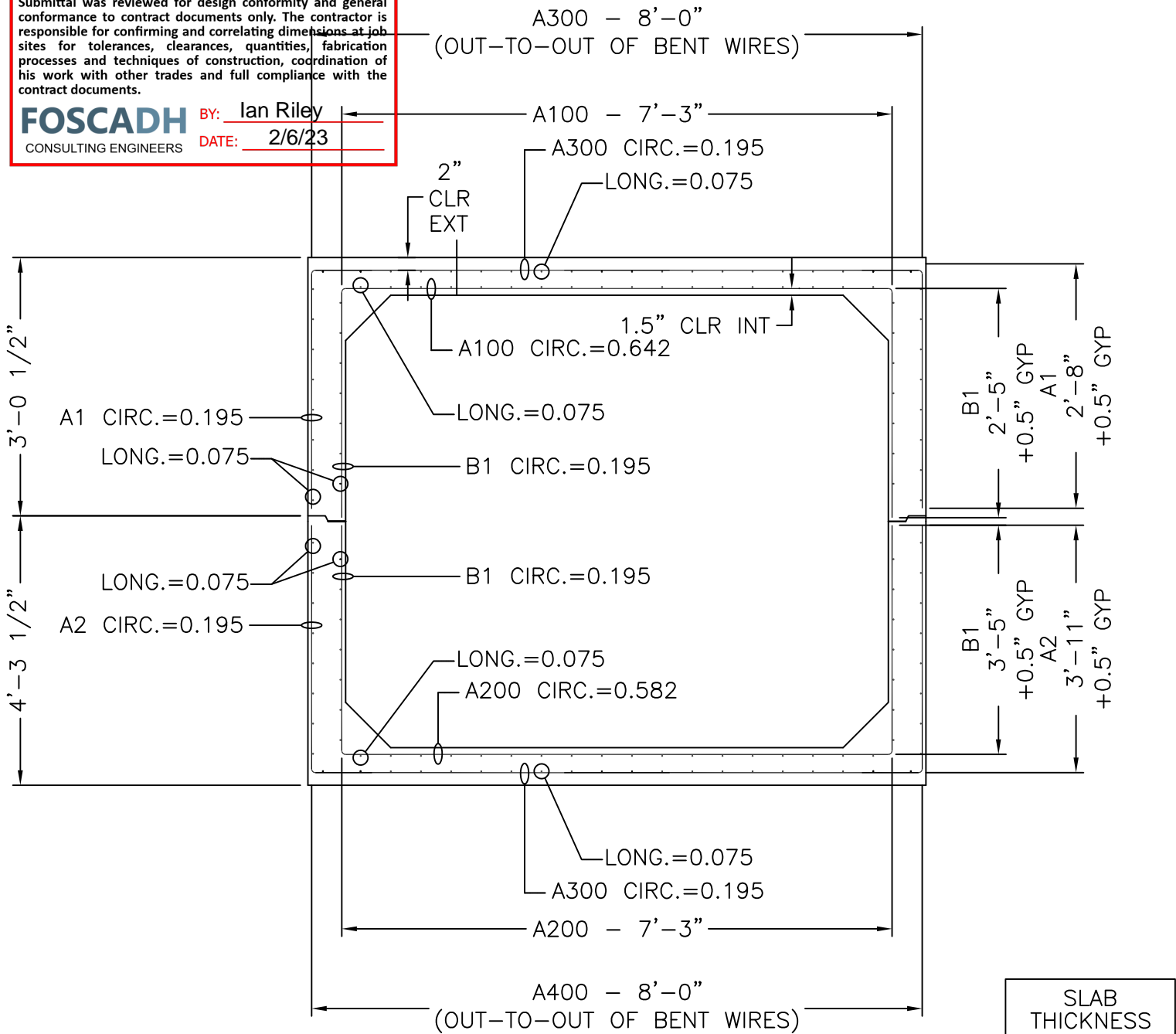
WI.0

**SHOP DRAWING/SUBMITTAL REVIEW**

APPROVED       APPROVED WITH CHANGES NOTES  
 REVISE AND RESUBMIT       REJECTED: \_\_\_\_\_

Submittal was reviewed for design conformity and general conformance to contract documents only. The contractor is responsible for confirming and correlating dimensions at job sites for tolerances, clearances, quantities, fabrication processes and techniques of construction, coordination of his work with other trades and full compliance with the contract documents.

**FOSCADH** CONSULTING ENGINEERS  
 BY: Ian Riley      DATE: 2/6/23



7' x 6' x 7'-1 15/16"

CROSS SECTION WITH AREAS OF STEEL

SLAB THICKNESS	
TOP	8"
BOTTOM	8"
WALLS	8"

MECHANICAL DIMENSIONS			
DIM. 'L'	=	N/A	
DIM. 'M'	=	N/A	
DIM. 'R'	=	N/A	
DIM. 'S'	=	N/A	

CAGE WEIGHT PER 7'-1 15/16" JOINT = 533.2 lbs

BOX SIZE: 7' X 6' X 7'-1 15/16"	ASTM: HL-93	TABLE: 125%	FILL: -
------------------------------------	----------------	----------------	------------



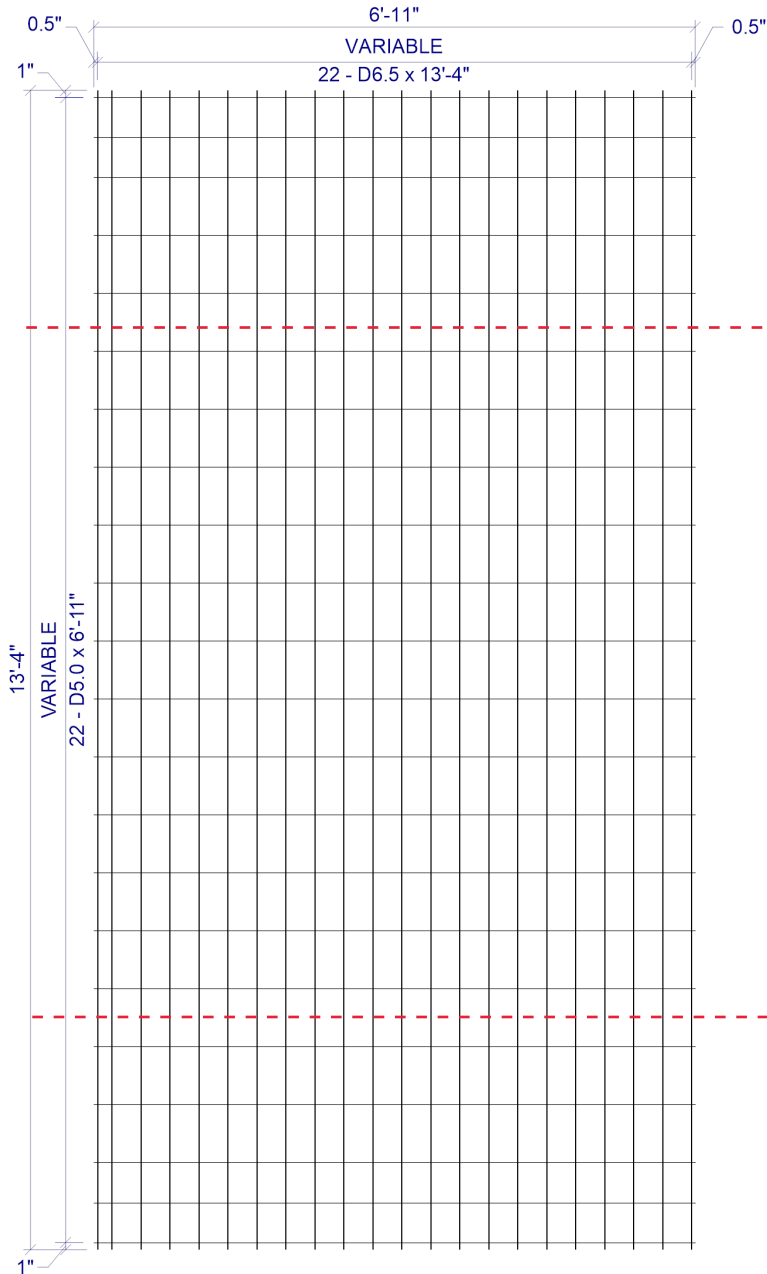
**Concrete Reinforcements, Inc.**  
 3830 Presidents Way  
 Jacksonville, FL 32220  
 PH. 904-520-7100 FAX. 904-520-7101

CUSTOMER: AMERICAN CONCRETE	DRAWN BY: BWA	REVISION: -	SHEET DESCRIPTION: COVER
PROJECT: 7' X 6' X 7'-1 15/16" VAN BUREN #1	DATE: 2/3/2023	REVISION DATE: -	FILE NAME: F22-4379
	CHECKED BY: BWA	SCALE: NTS	PROJECT #: F22-4379
			SHEET #: 1 OF 5

# SHEET DESIGN



**Concrete Reinforcements, Inc.**  
 3830 Presidents Way • Jacksonville, FL 32220  
 Phone: 904-520-7100 • Fax: 904-520-7101



CUSTOMER American Concrete

PROJECT F22-4378 - Drawings - 7x6 Vanburen #1 - American - 1-23-2023

LOCATION Veazie, ME

DATE 02-03-2023 MARK NUMBER A1/A130(-01)

L.W.SPACE VAR

C.W.SPACE VAR

L.W.1 SIZE D6.5

L.W.2 SIZE N/A

C.W.SIZE D5.0

WIDTH 6'-11"

LENGTH 13'-4"

OH.LEFT 0.5"

OH.RIGHT 0.5"

OH.TOP 1"

OH.BOTTOM 1"

YIELD 75,000psi

BENT -

CUT -

ROLL -

W I R E S	LINE WIRE 1	LINE WIRE 2	CROSS WIRE
	NO. PER SHEET	22	N/A
SIZE	D6.5	N/A	D5.0
LENGTH	13'-4"	-	6'-11"
W.T./SHEET			
SHEET W.T.	90.69#		
QUANTITY	10		
SUB TOTAL WEIGHT			
TOTAL WEIGHT			
S.F./SHEET			
LBS/CSF			
Ast/LF			
ST.DENSITY			

SPECIAL REMARKS:  
 BEND DIMS: SLAB=96", WALLS=32" (+0.5"GYP)

**VAR x VAR D6.5 / D5.0 (GRADE 75) 82(+0.5, +0.5) x 13'-4" (1, 1)**

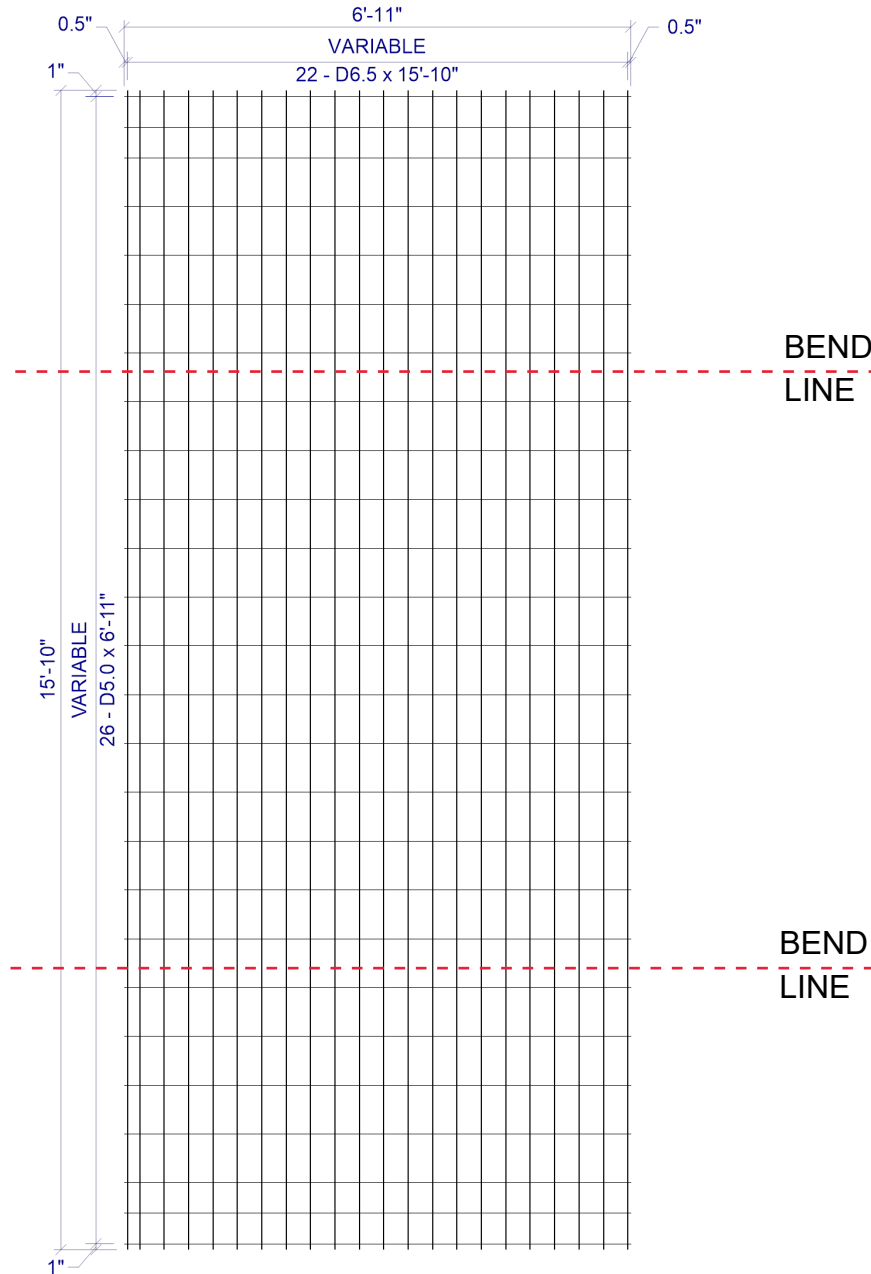
VAR = 0.5" OH, 1@2", 20@4", 0.5" OH  
 VAR = 1" OH, 2@5.5", 17@8", 2@5.5", 1" OH

APPROVED \_\_\_\_\_

# SHEET DESIGN



**Concrete Reinforcements, Inc.**  
 3830 Presidents Way • Jacksonville, FL 32220  
 Phone: 904-520-7100 • Fax: 904-520-7101



CUSTOMER American Concrete  
 PROJECT F22-4378 - Drawings - 7x6 Vanburen #1 - American - 1-23-2023  
 LOCATION Veazie, ME  
 DATE 02-03-2023 MARK NUMBER A2/A400 (-02)

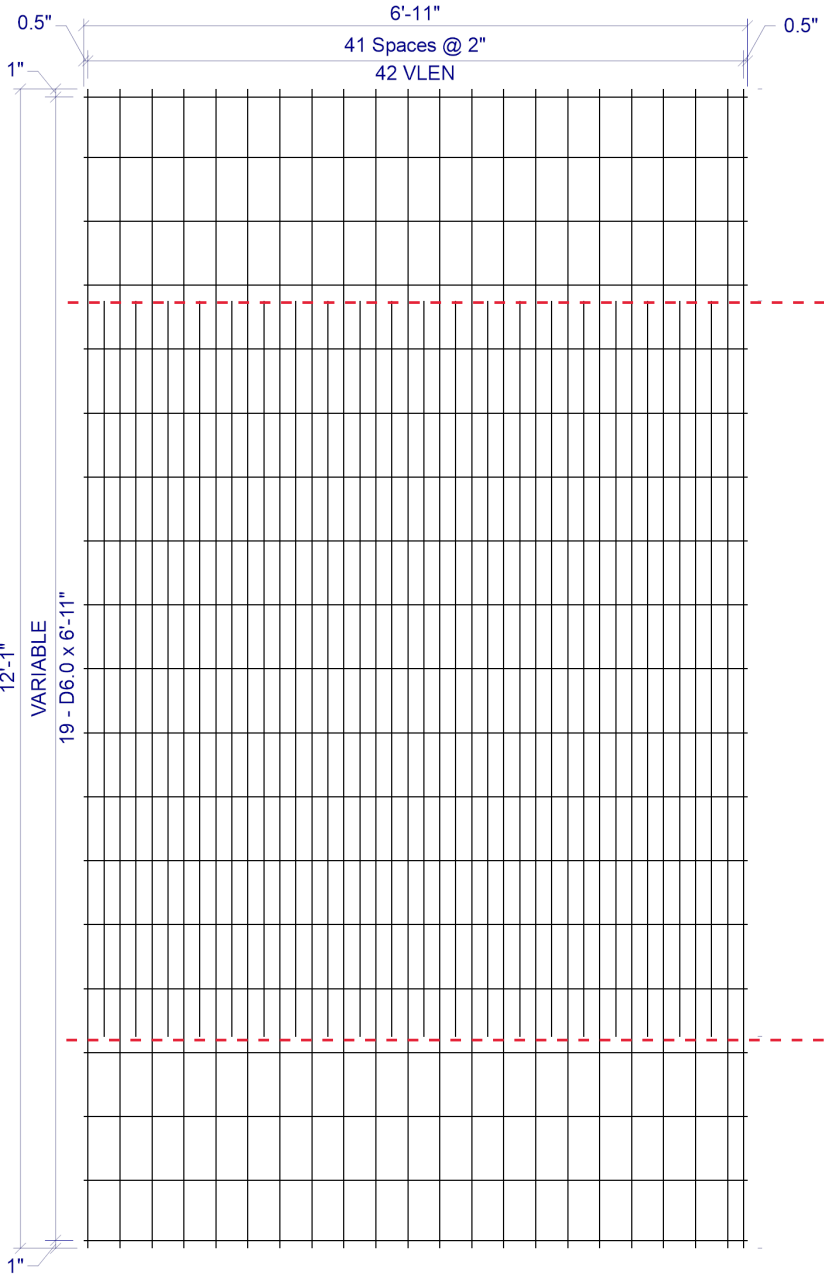
L.W.SPACE VAR  
 C.W.SPACE VAR  
 L.W.1 SIZE D6.5  
 L.W.2 SIZE N/A  
 C.W.SIZE D5.0  
 WIDTH 6'-11"  
 LENGTH 15'-10"  
 OH.LEFT 0.5"  
 OH.RIGHT 0.5"  
 OH.TOP 1"  
 OH.BOTTOM 1"  
 YIELD 75,000psi  
 BENT -  
 CUT -  
 ROLL -

W I R E S	LINE WIRE 1	LINE WIRE 2	CROSS WIRE
	NO. PER SHEET	22	N/A
SIZE	D6.5	N/A	D5.0
LENGTH	15'-10"	-	6'-11"
W.T./SHEET			
SHEET W.T.	107.55#		
QUANTITY	10		
SUB TOTAL WEIGHT			
TOTAL WEIGHT			
S.F./SHEET			
LBS/CSF			
Ast/LF			
ST.DENSITY			

SPECIAL REMARKS:  
 BEND DIMS: SLAB=96", WALLS=47" (+0.5" GYP)

**VAR x VAR D6.5 / D5.0 (GRADE 75) 82(+0.5, +0.5) x 15'-10"(1, 1)**  
 VAR = 0.5" OH, 1@2", 20@4", 0.5" OH  
 VAR = 1" OH, 2@5", 21@8", 2@5", 1" OH

APPROVED \_\_\_\_\_



# SHEET DESIGN



**Concrete Reinforcements, Inc.**  
 3830 Presidents Way • Jacksonville, FL 32220  
 Phone: 904-520-7100 • Fax: 904-520-7101

CUSTOMER American Concrete  
 PROJECT F22-4378 - Drawings - 7x6 Vanburen #1 - American - 1-23-2023  
 LOCATION Veazie, ME  
 DATE 02-03-2023 MARK NUMBER B1/A100 (-03)

L.W.SPAC 2"  
 C.W.SPAC VAR  
 L.W.1 SIZE D7.5  
 L.W.2 SIZE D13.9  
 C.W.SIZE D6.0  
 WIDTH 6'-11"  
 LENGTH 12'-1"  
 OH.LEFT 0.5"  
 OH.RIGHT 0.5"  
 OH.TOP 1"  
 OH.BOTTOM 1"  
 YIELD 75,000psi  
 BENT -  
 CUT -  
 ROLL -

W I R E S	LINE WIRE 1	LINE WIRE 2	CROSS WIRE
	NO. PER SHEET	22	20
SIZE	D7.5	D13.9	D6.0
LENGTH	12'-1"	7'-8"	6'-11"
W.T./SHEET			
SHEET W.T.	167.70#		
QUANTITY	10		
SUB TOTAL WEIGHT			
TOTAL WEIGHT			
S.F./SHEET			
LBS/CSF			
Ast/LF			
ST.DENSITY			

BEND LINE

BEND LINE

**2 x VAR D7.5 / D13.9 / D6.0 (GRADE 75) 82"(+0.5", +0.5") x VLEN(1", 1")**  
 VLEN = ALTERNATING LENGTH 7'-8" & 12'-1" WITH 12'-1" @ LHS & RHS  
 VAR = 1" OH, 1@7.5", 16@8", 1@7.5", 1" OH

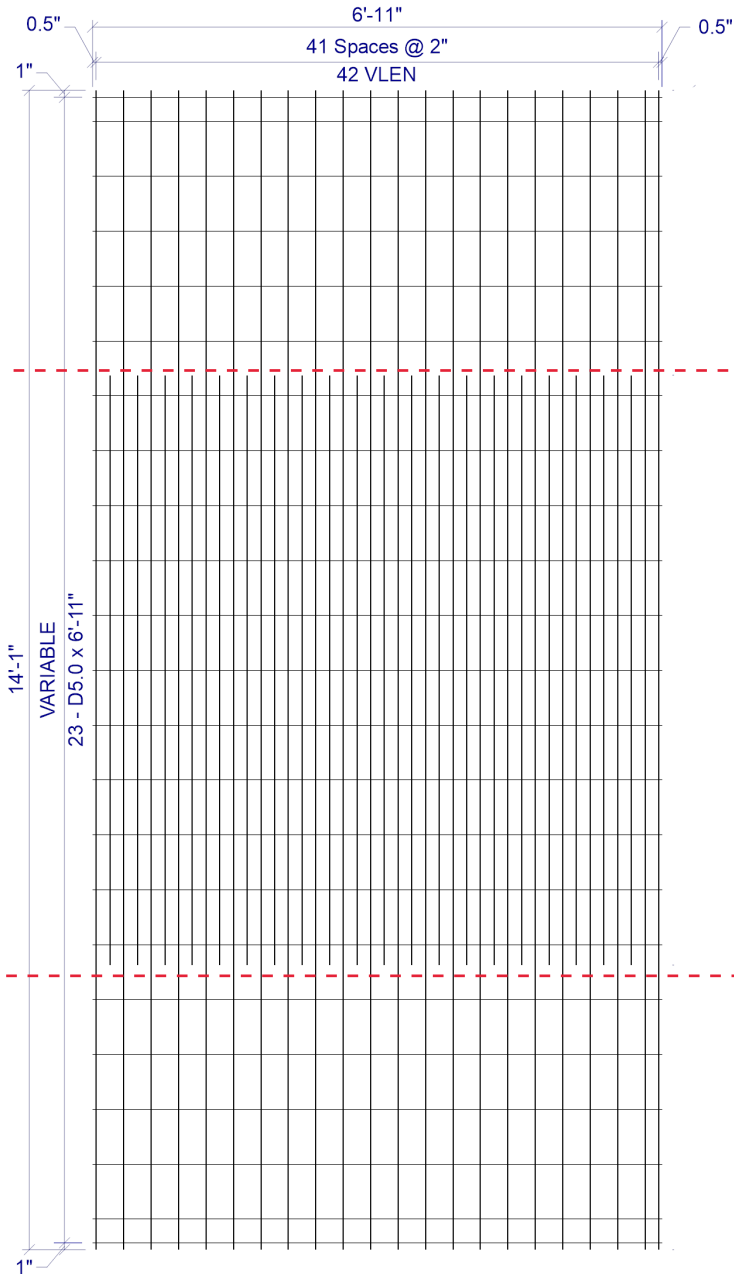
SPECIAL REMARKS:  
 BEND DIMS: SLAB=87", WALLS=29"

APPROVED \_\_\_\_\_

# SHEET DESIGN



**Concrete Reinforcements, Inc.**  
 3830 Presidents Way • Jacksonville, FL 32220  
 Phone: 904-520-7100 • Fax: 904-520-7101



BEND LINE

BEND LINE

CUSTOMER American Concrete  
 PROJECT F22-4378 - Drawings - 7x6 Vanburen #1 - American - 1-23-2023  
 LOCATION Veazie, ME  
 DATE 02-03-2023 MARK NUMBER B1/A200 (-04)

L.W.SPACE 2"  
 C.W.SPACE VAR  
 L.W.1 SIZE D7.5  
 L.W.2 SIZE D11.9  
 C.W.SIZE D5.0  
 WIDTH 6'-11"  
 LENGTH 14'-1"  
 OH.LEFT 0.5"  
 OH.RIGHT 0.5"  
 OH.TOP 1"  
 OH.BOTTOM 1"  
 YIELD 75,000psi  
 BENT -  
 CUT -  
 ROLL -

W I R E S	LINE WIRE 1	LINE WIRE 2	CROSS WIRE
	NO. PER SHEET	22	20
SIZE	D7.5	D11.9	D5.0
LENGTH	14'-1"	7'-2"	6'-11"
W.T./SHEET			
SHEET W.T.	170.00#		
QUANTITY	10		
SUB TOTAL WEIGHT			
TOTAL WEIGHT			
S.F./SHEET			
LBS/CSF			
Ast/LF			
ST.DENSITY			

SPECIAL REMARKS:  
 BEND DIMS: SLAB=87", WALLS=41"

**2 x VAR D7.5 / D11.9 / D5.0 (GRADE 75) 82"(+0.5", +0.5") x VLEN(1", 1")**  
 VLEN = ALTERNATING LENGTH 7'-2" & 14'-1" WITH 14'-1" @ LHS & RHS  
 VAR = 1" OH, 1@3.5", 20@8", 1@3.5", 1" OH

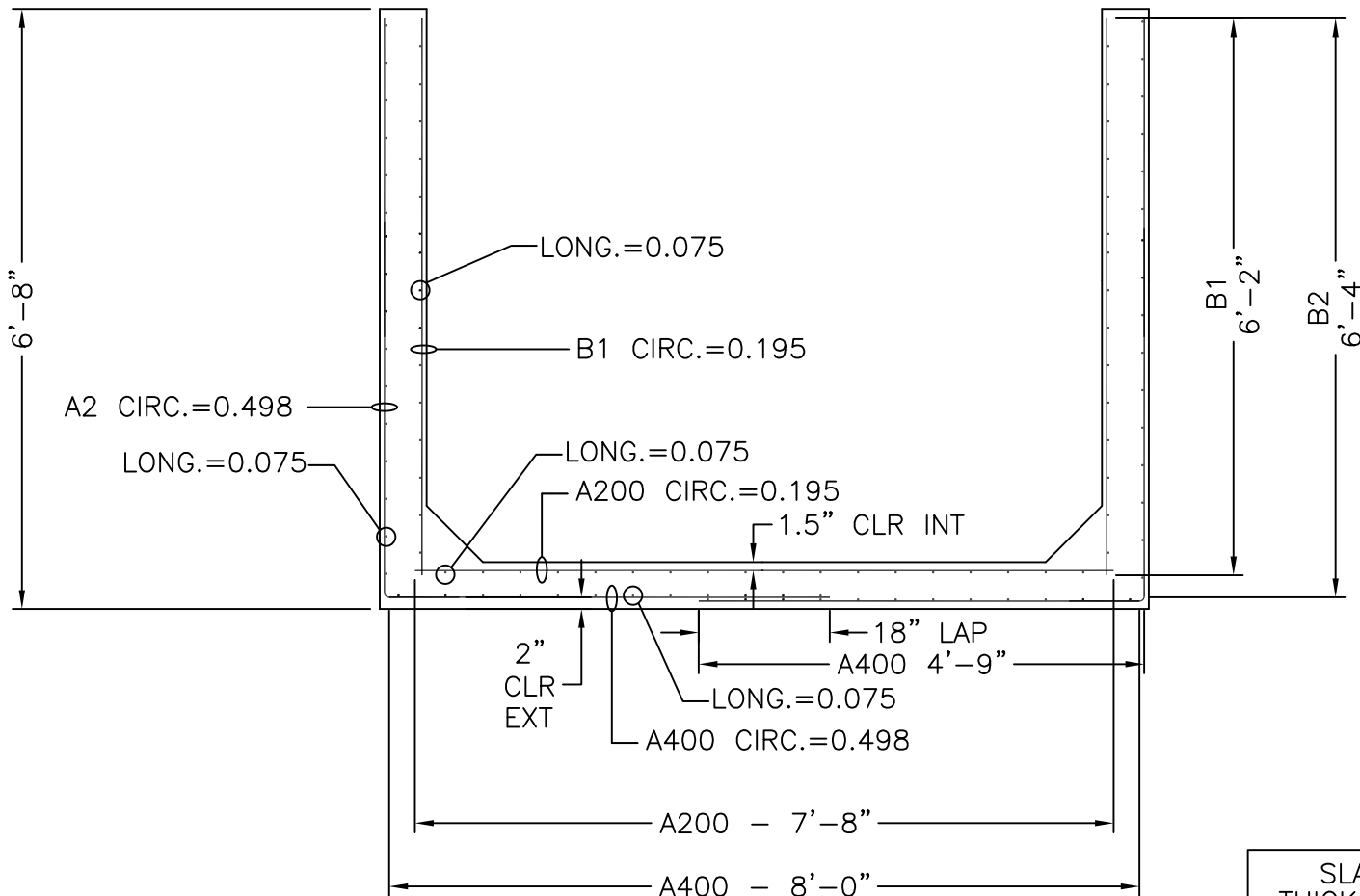
APPROVED \_\_\_\_\_

**SHOP DRAWING/SUBMITTAL REVIEW**

APPROVED       APPROVED WITH CHANGES NOTES  
 REVISE AND RESUBMIT       REJECTED: \_\_\_\_\_

Submittal was reviewed for design conformity and general conformance to contract documents only. The contractor is responsible for confirming and correlating dimensions at job sites for tolerances, clearances, quantities, fabrication processes and techniques of construction, coordination of his work with other trades and full compliance with the contract documents.

**FOSCADH** BY: Ian Riley  
 CONSULTING ENGINEERS DATE: 2/6/23



7' x 6' HEADWALL  
CROSS SECTION WITH AREAS OF STEEL

SLAB THICKNESS	
TOP	8"
BOTTOM	8"
WALLS	8"

MECHANICAL DIMENSIONS			
DIM. 'L'	=	N/A	
DIM. 'M'	=	N/A	
DIM. 'R'	=	N/A	
DIM. 'S'	=	N/A	

CAGE WEIGHT PER 6'-0" JOINT = 333.7 lbs

BOX SIZE:	7' X 6'	ASTM:	HL-93	TABLE:	125%	FILL:	
-----------	---------	-------	-------	--------	------	-------	--



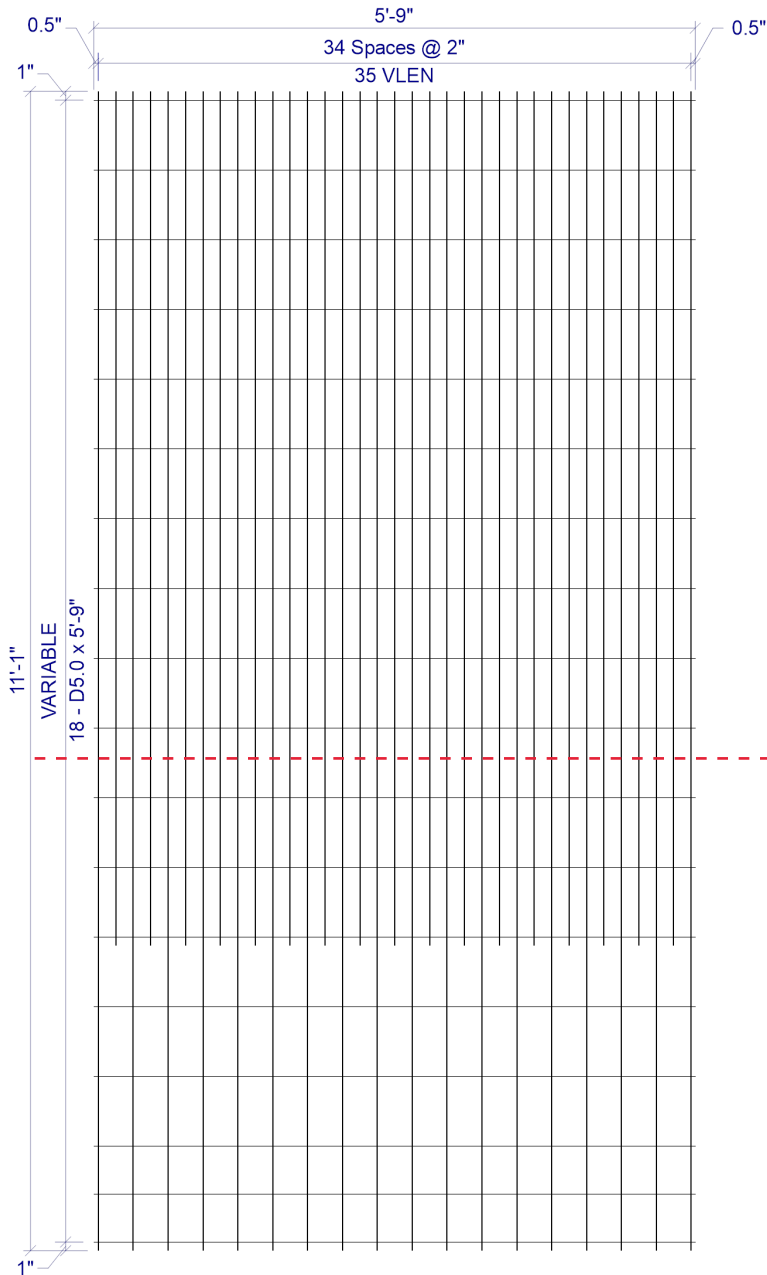
**Concrete Reinforcements, Inc.**  
 3830 Presidents Way  
 Jacksonville, FL 32220  
 PH. 904-520-7100 FAX. 904-520-7101

CUSTOMER:	AMERICAN CONCRETE	DRAWN BY:	BWA	REVISION:	-	SHEET DESCRIPTION:	
PROJECT:	HEADWALL END VAN BUREN #1	DATE:	2/3/2023	REVISION DATE:	-	FILE NAME:	F22-4378
		CHECKED BY:	BWA	SCALE:	NTS	PROJECT #:	F22-4378
						SHEET #:	1 OF 4

# SHEET DESIGN



**Concrete Reinforcements, Inc.**  
 3830 Presidents Way • Jacksonville, FL 32220  
 Phone: 904-520-7100 • Fax: 904-520-7101



**BEND LINE**

CUSTOMER American Concrete

PROJECT F22-4378B - Drawings - 7x6 Headwall - American - 1-23-2023

LOCATION Veazie, ME

DATE 01-23-2023 MARK NUMBER A2/400 (-01)

L.W.SPAC 2"

C.W.SPAC VAR

L.W.1 SIZE D6.5

L.W.2 SIZE D10.1

C.W.SIZE D5.0

WIDTH 5'-9"

LENGTH 11'-1"

OH.LEFT 0.5"

OH.RIGHT 0.5"

OH.TOP 1"

OH.BOTTOM 1"

YIELD 75,000psi

BENT -

CUT -

ROLL -

W I R E S	LINE WIRE 1	LINE WIRE 2	CROSS WIRE
	NO. PER SHEET	18	17
SIZE	D6.5	D10.1	D5.0
LENGTH	11'-1"	8'-2"	5'-9"
W.T./SHEET			
SHEET W.T.	111.30#		
QUANTITY	8		
SUB TOTAL WEIGHT			
TOTAL WEIGHT			
S.F./SHEET			
LBS/CSF			
Ast/LF			
ST.DENSITY			

SPECIAL REMARKS:  
 BEND DIMS: WALL=76", SLAB=57", LAP IN SLAB=18"

**2 x VAR D6.5 / D10.1 / D5.0 (GRADE 75) 68"(+0.5", +0.5") x VLEN(1", 1")**

VLEN = ALTERNATING LENGTH 8'-2" & 11'-1" WITH 11'-1" @ LHS & RHS

VAR = 1" OH, 15@8", 2@5.5", 1" OH

APPROVED \_\_\_\_\_

# SHEET DESIGN



**Concrete Reinforcements, Inc.**  
 3830 Presidents Way • Jacksonville, FL 32220  
 Phone: 904-520-7100 • Fax: 904-520-7101

CUSTOMER American Concrete

PROJECT F22-4378B - Drawings - 7x6 Headwall - American - 1-23-2023

LOCATION Veazie, ME

DATE 01-23-2023 MARK NUMBER B1 (-02)

L.W.SPACE 4"

C.W.SPACE VAR

L.W.1 SIZE D6.5

L.W.2 SIZE N/A

C.W.SIZE D5.0

WIDTH 5'-9"

LENGTH 6'-2"

OH.LEFT 0.5"

OH.RIGHT 0.5"

OH.TOP 1"

OH.BOTTOM 5"

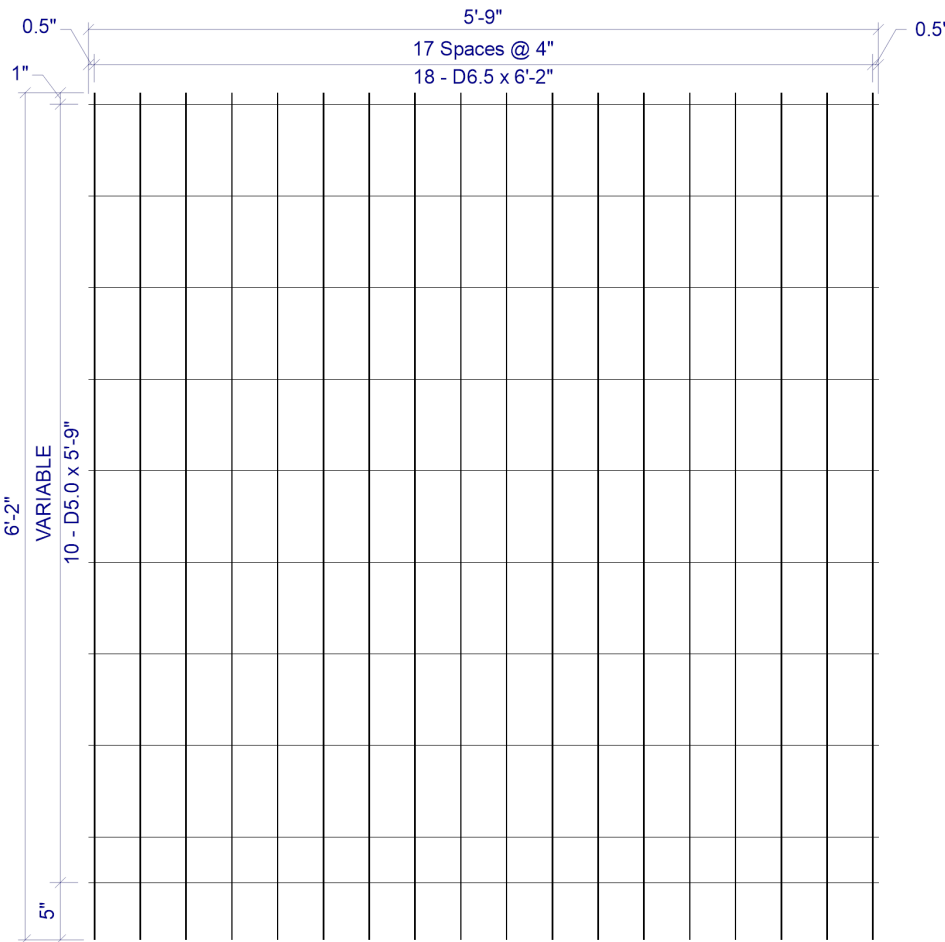
YIELD 75,000psi

BENT -

CUT -

ROLL -

W I R E S	LINE WIRE 1	LINE WIRE 2	CROSS WIRE
	NO. PER SHEET	18	N/A
SIZE	D6.5	N/A	D5.0
LENGTH	6'-2"	-	5'-9"
W.T./SHEET			
SHEET W.T.	34.40#		
QUANTITY	8		
SUB TOTAL WEIGHT			
TOTAL WEIGHT			
S.F./SHEET			
LBS/CSF			
Ast/LF			
ST.DENSITY			



**4 x VAR D6.5 / D5.0 (GRADE 75) 68(+0.5, +0.5) x 6'-2"(1, 5)**

VAR = 1" OH, 8@8", 1@4", 5" OH

SPECIAL REMARKS:

APPROVED \_\_\_\_\_

# SHEET DESIGN



**Concrete Reinforcements, Inc.**  
 3830 Presidents Way • Jacksonville, FL 32220  
 Phone: 904-520-7100 • Fax: 904-520-7101

CUSTOMER American Concrete

PROJECT F22-4378B - Drawings - 7x6 Headwall - American - 1-23-2023

LOCATION Veazie, ME

DATE 01-23-2023 MARK NUMBER A200 (-03)

L.W.SPACED 4"

C.W.SPACED VAR

L.W.1 SIZE D6.5

L.W.2 SIZE N/A

C.W.SIZE D5.0

WIDTH 5'-9"

LENGTH 7'-8"

OH.LEFT 0.5"

OH.RIGHT 0.5"

OH.TOP 4"

OH.BOTTOM 4"

YIELD 75,000psi

BENT -

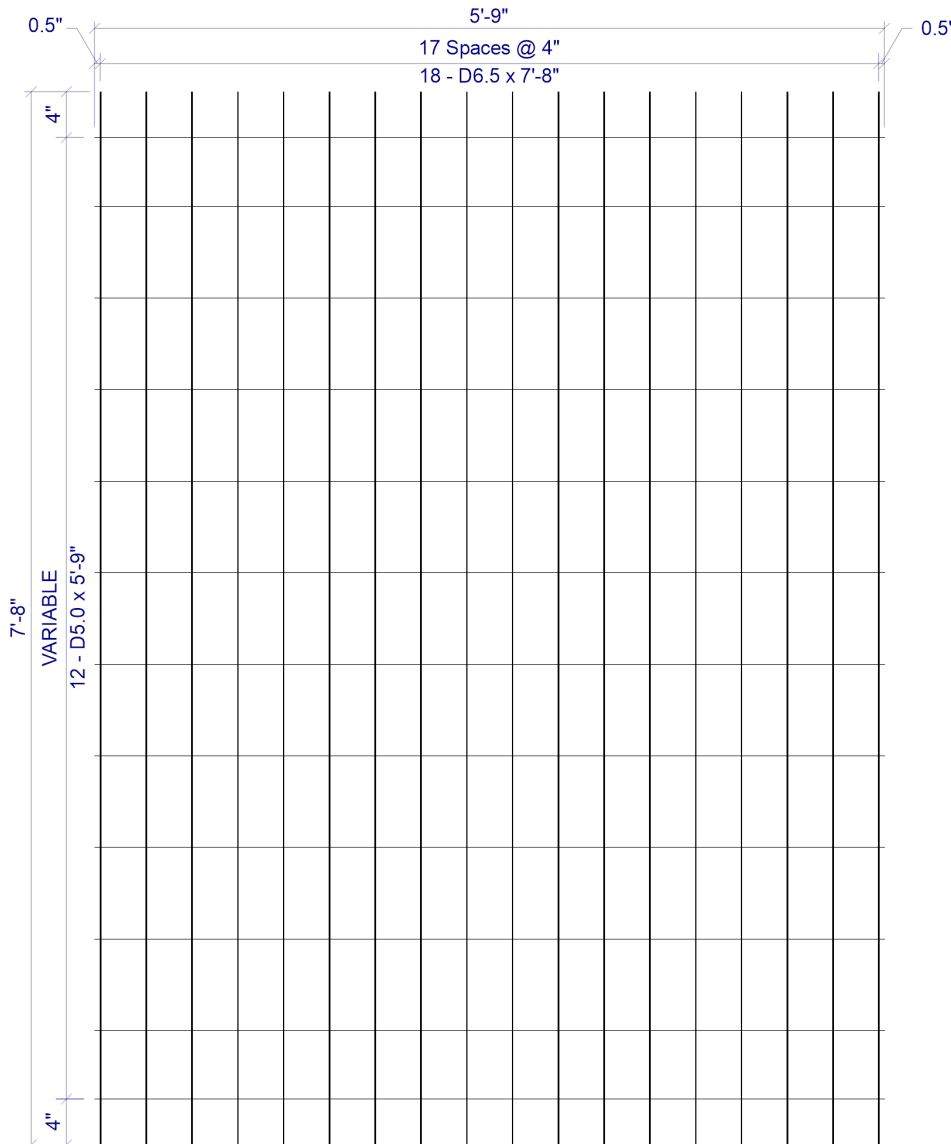
CUT -

ROLL -

W I R E S	LINE WIRE 1	LINE WIRE 2	CROSS WIRE
NO. PER SHEET	18	N/A	12
SIZE	D6.5	N/A	D5.0
LENGTH	7'-8"	-	5'-9"
W.T./SHEET			
SHEET W.T.	42.30#		
QUANTITY	4		
SUB TOTAL WEIGHT			
TOTAL WEIGHT			
S.F./SHEET			
LBS/CSF			
Ast/LF			
ST.DENSITY			

SPECIAL REMARKS:

APPROVED \_\_\_\_\_



**4 x VAR D6.5 / D5.0 (GRADE 75) 68(+0.5, +0.5) x 7'-8"(4, 4)**  
 VAR = 4" OH, 1@6", 9@8", 1@6", 4" OH

# OVERALL



American Concrete Industries

1717 STILLWATER AVE. VEAZIE, ME. 04401

TEL: 207-947-8334

FAX: 207-947-3580

WWW.AMERICANCONCRETE.COM

## BILL OF MATERIALS

ITEM	QTY	DESCRIPTION	WEIGHT# EA
1	1	UPSTREAM END TOP	11,240
2	1	UPSTREAM END BOTTOM	12,930
3	9	MID SECTION TOP	10,965
4	9	MID SECTION BOTTOM	12,630
5	1	DOWNSTREAM END TOP	10,700
6	1	DOWNSTREAM END BOTTOM	12,310
9	2	1' x 2' x 9'-4" TOEWALL	2,795
10	14	#8 x 18" TOEWALL PIN (SHIPPED LOOSE)	

### DESIGN NOTES:

- Concrete**
  - 1.1. COMP. STRENGTH MIN. 5,000PSI @ 28 DAYS
  - 1.2. AIR-ENTRAINMENT: 5.5% MIN - 7.5% MAX
- Structural Reinforcement:**
  - 2.1. BAR PER ASTM A615, GRADE 60
  - 2.2. WWF PER ASTM A1064, GRADE 75
  - 2.3. SUPPLEMENTAL REINFORCING AS SHOWN (WHEN REQUIRED.)
  - 2.4. DESIGNED FOR 125% HL-93 WHEEL LOAD RATING
  - 2.5. 2" CLR EXT., 1 1/2" CLR INT. UNLESS NOTED OTHERWISE
- Manufacturing / Installation:**
  - 3.1. JOINTS SEALED WITH BUTYL RUBBER SEALANT.
  - 3.2. ALL JOINTS FILLED W/ NON-SHRINK GROUT AFTER INSTALLATION.
- Soil / Fill Requirements:**
  - MINIMUM ALLOWABLE FILL: 4.50'
  - MAXIMUM ALLOWABLE FILL: 5.00'

**NOTE:** Some details not shown for clarity.  
**SCALE:** 1/8" = 1'-0" Unless noted otherwise.

STRUCTURE NAME:  
 CULVERT 3: 8' x 6' x 82' (STA. 118+38)

JOB NAME:  
 US ROUTE 1 (WIN 20421.10)

LOCATION:  
 VAN BUREN, ME

CONTRACTOR:  
 ME DOT

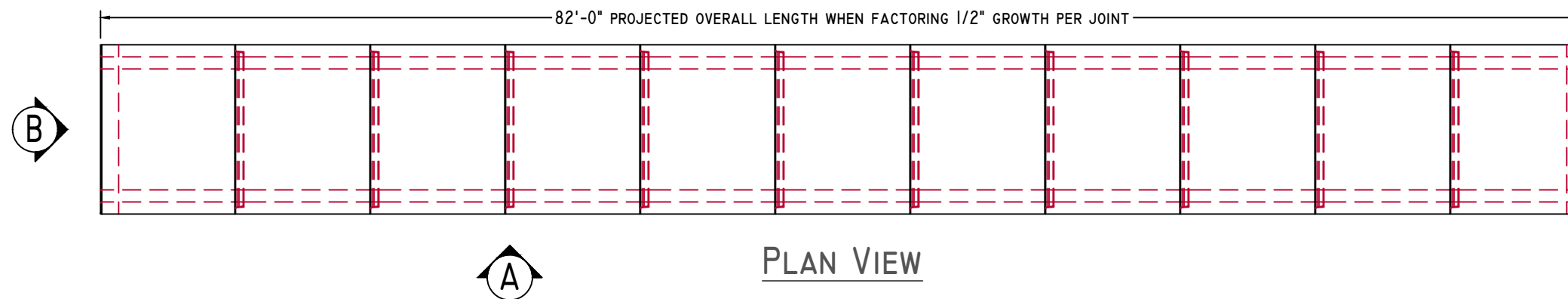
DRAWN BY:  
 SSM

DATE:  
 02/03/2023

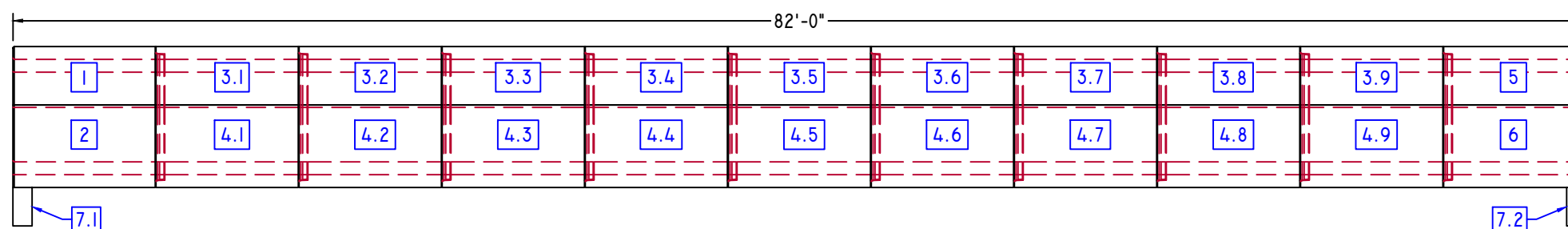
REV.#:  
 0.00

DATE:  
 02/03/2023

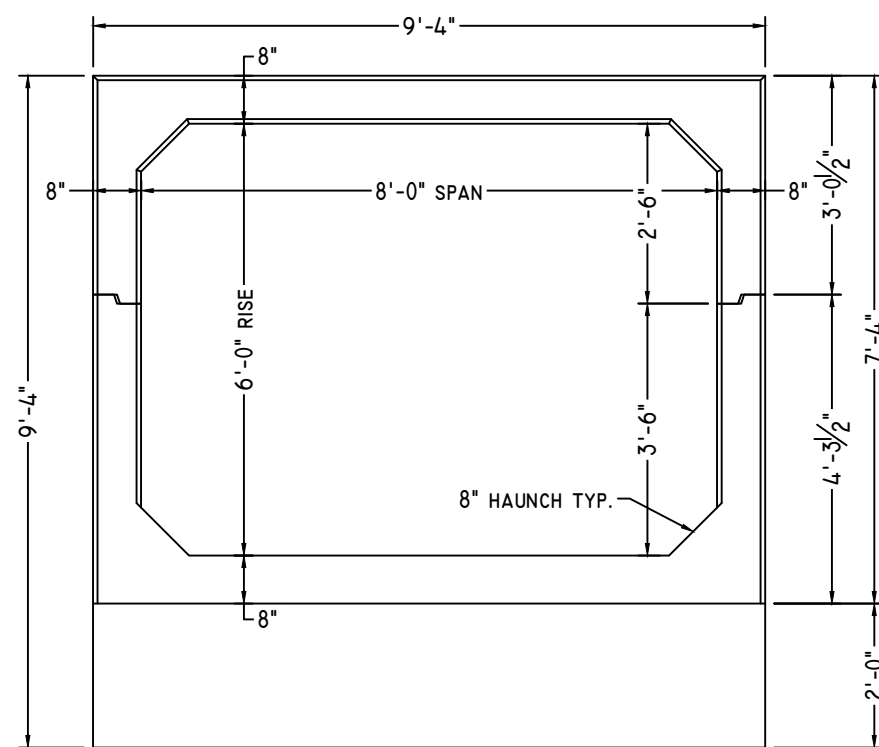
# C3.0



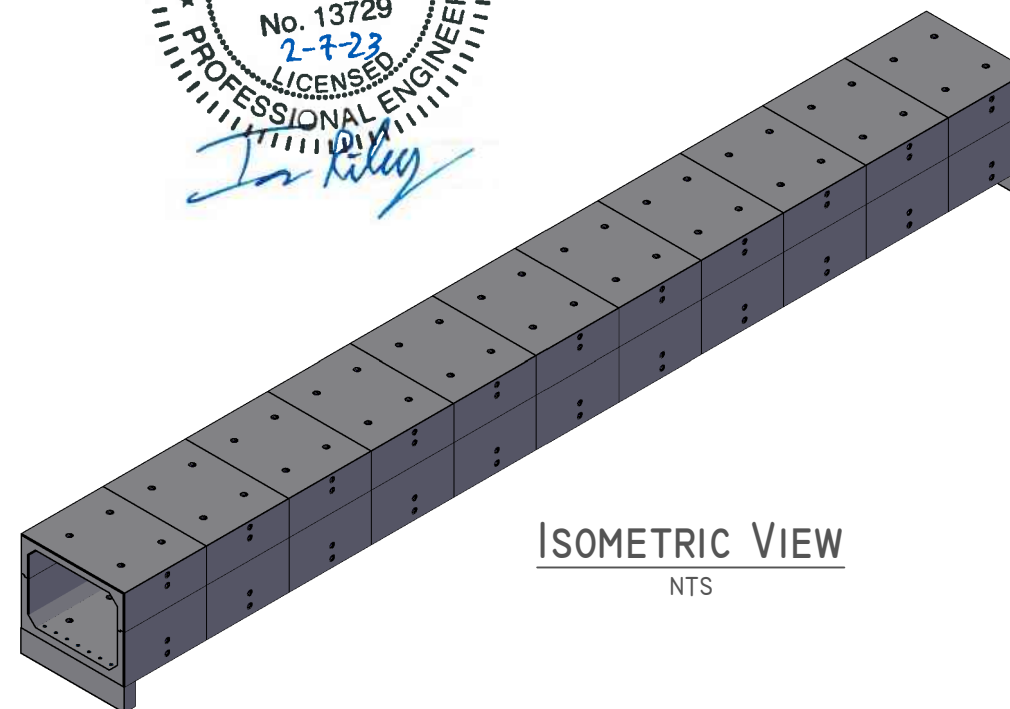
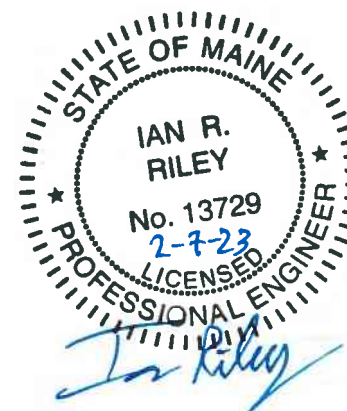
PLAN VIEW



ELEVATION-A



ELEVATION-B  
 3/8" = 1'-0"



ISOMETRIC VIEW  
 NTS

**UPSTREAM END**



American Concrete Industries

1717 STILLWATER AVE. VEAZIE, ME. 04401

TEL: 207-947-8334

FAX: 207-947-3580

WWW.AMERICANCONCRETE.COM

**BILL OF MATERIALS**

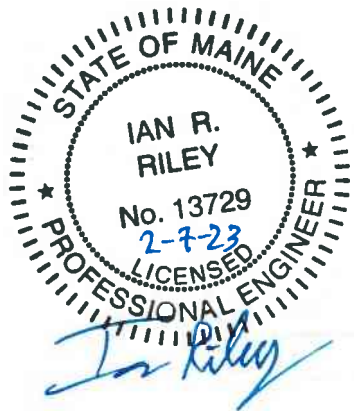
ITEM	QTY	DESCRIPTION	WEIGHT# EA
1	1	UPSTREAM END TOP	11,240
2	1	UPSTREAM END BOTTOM	12,930

**DESIGN NOTES:**

1. **Concrete**
  - 1.1. COMP. STRENGTH MIN. 5,000PSI @ 28 DAYS
  - 1.2. AIR-ENTRAINMENT: 5.5% MIN - 7.5% MAX
2. **Structural Reinforcement:**
  - 2.1. BAR PER ASTM A615, GRADE 60
  - 2.2. WWF PER ASTM A1064, GRADE 75
  - 2.3. SUPPLEMENTAL REINFORCING AS SHOWN (WHEN REQUIRED.)
  - 2.4. DESIGNED FOR 125% HL-93 WHEEL LOAD RATING
  - 2.5. 2" CLR EXT., 1 1/2" CLR INT. UNLESS NOTED OTHERWISE
3. **Manufacturing / Installation:**
  - 3.1. JOINTS SEALED WITH BUTYL RUBBER SEALANT.
  - 3.2. ALL JOINTS FILLED W/ NON-SHRINK GROUT AFTER INSTALLATION.
  - 3.3. STANDARD BOLT POCKETS W/ 3/4"Ø GALVANIZED HARDWARE USED TO HOLD SECTIONS WITH FLAT JOINTS TOGETHER.
4. **Soil / Fill Requirements:**

MINIMUM ALLOWABLE FILL: 4.50'

MAXIMUM ALLOWABLE FILL: 5.00'



**NOTE:** Some details not shown for clarity.  
**SCALE:** 1/2" = 1'-0" Unless noted otherwise.

STRUCTURE NAME:  
 CULVERT 3: 8' x 6' x 82' (STA. 118+38)

JOB NAME:  
 US ROUTE I (WIN 20421.10)

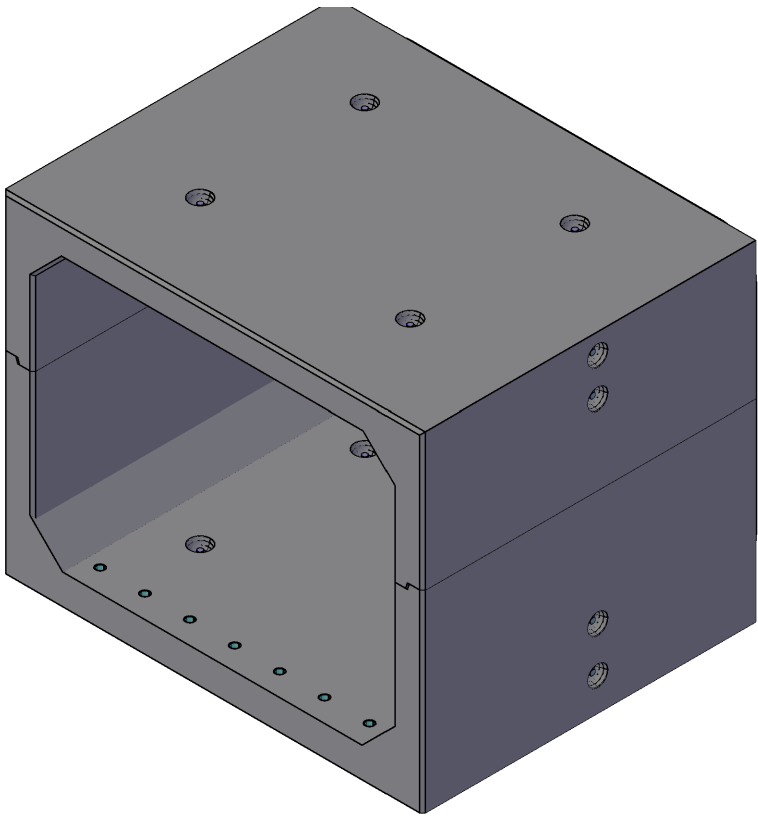
LOCATION:  
 VAN BUREN, ME

CONTRACTOR:  
 ME DOT

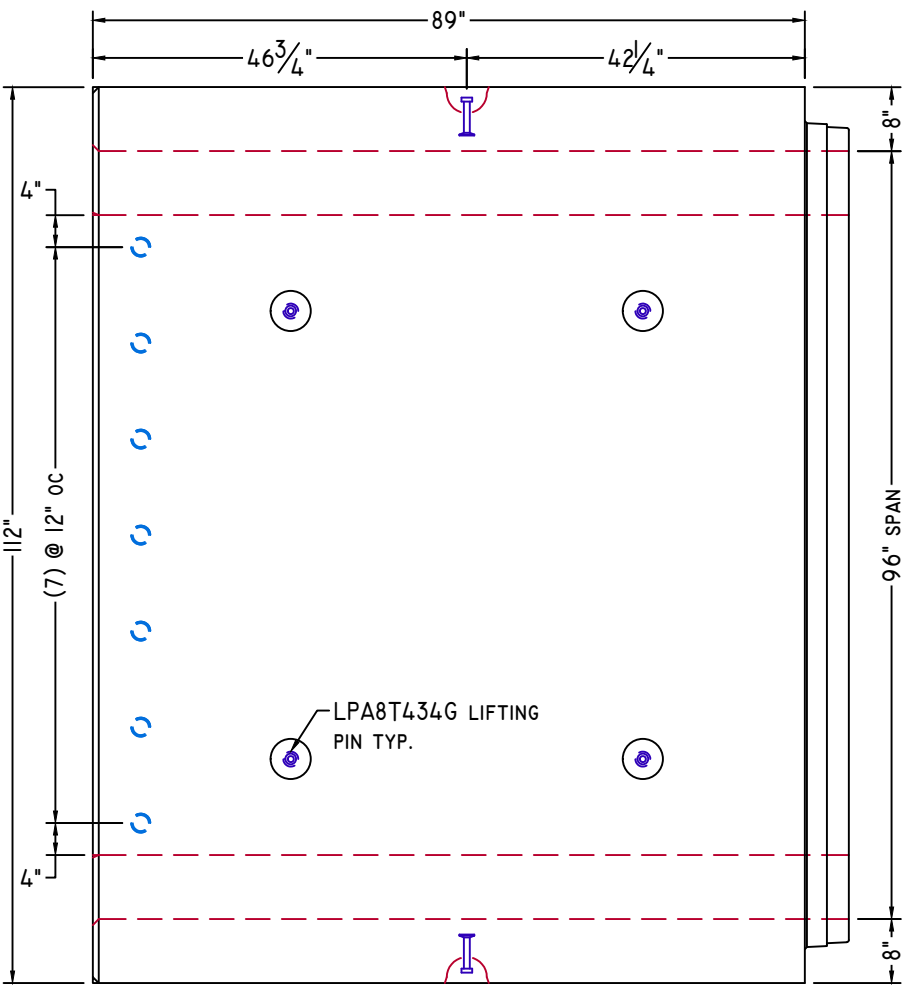
DRAWN BY: SSM  
 DATE: 02/03/2023

REV.#: 0.00  
 DATE: 02/03/2023

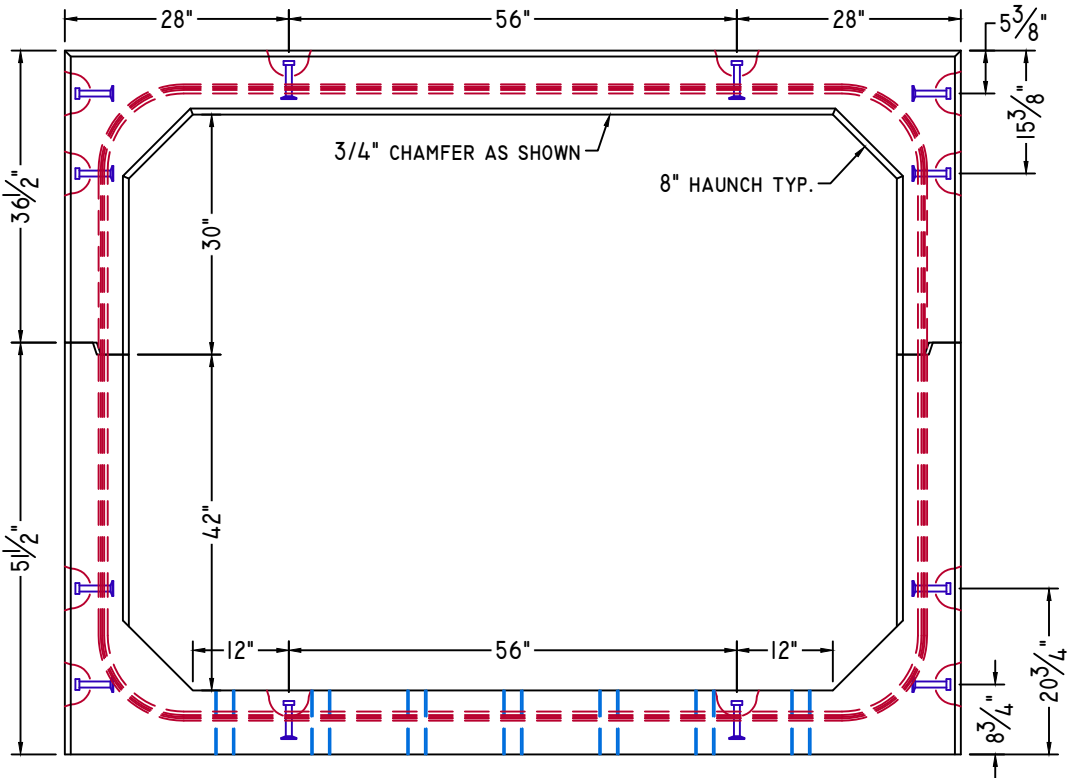
**C3.1**



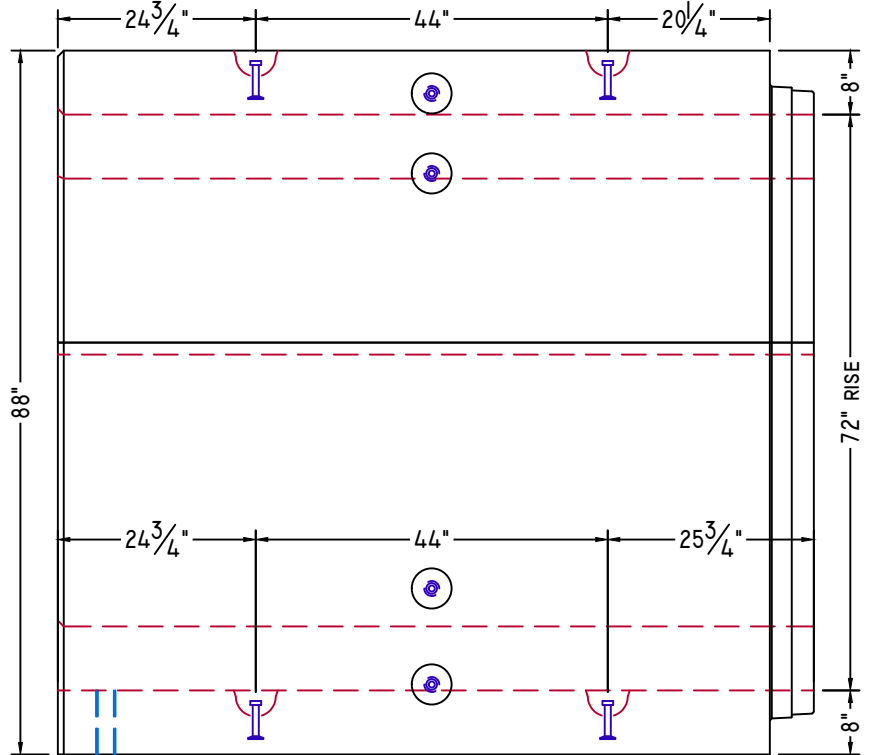
**ISOMETRIC VIEW**  
 NTS



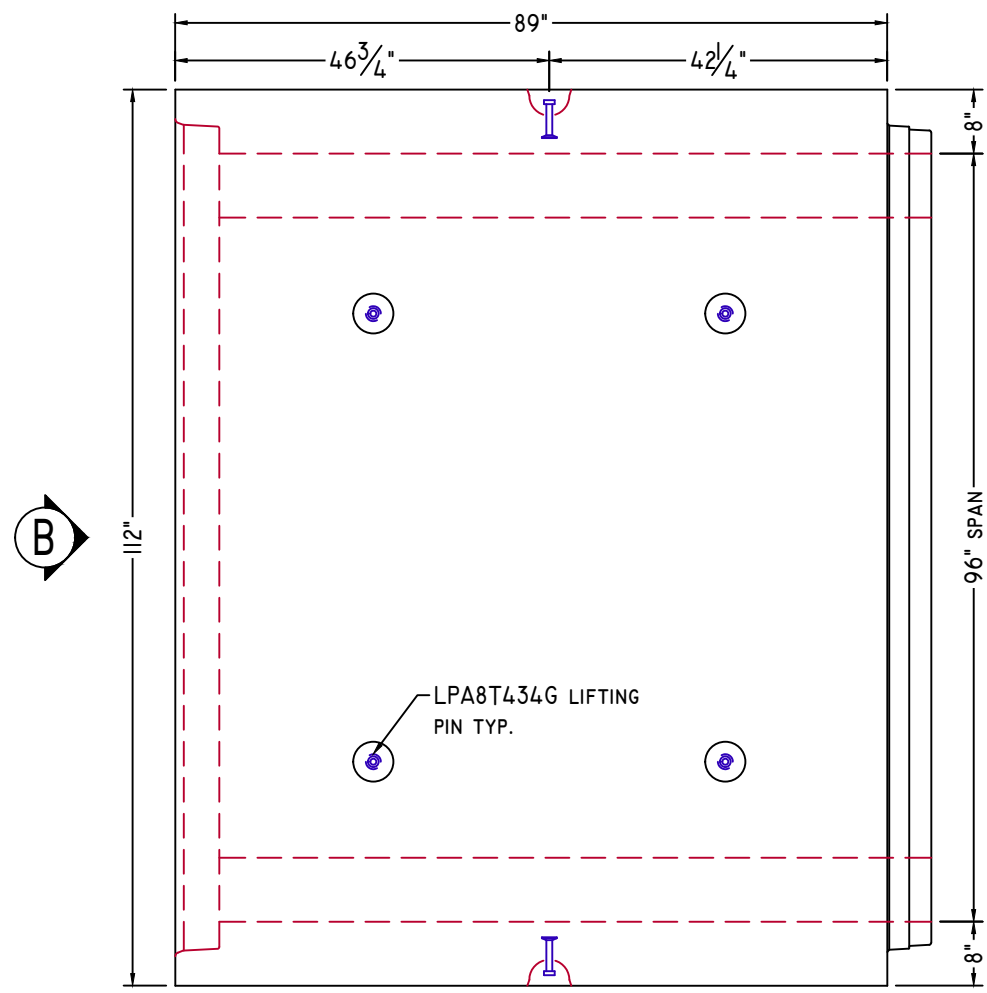
**PLAN VIEW**



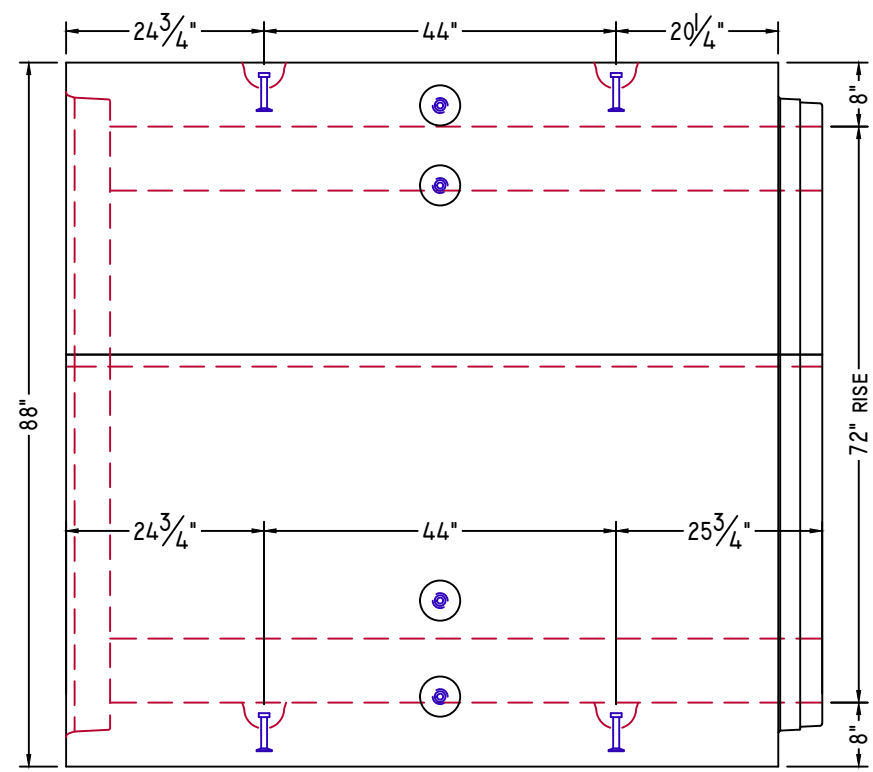
**ELEVATION-B**



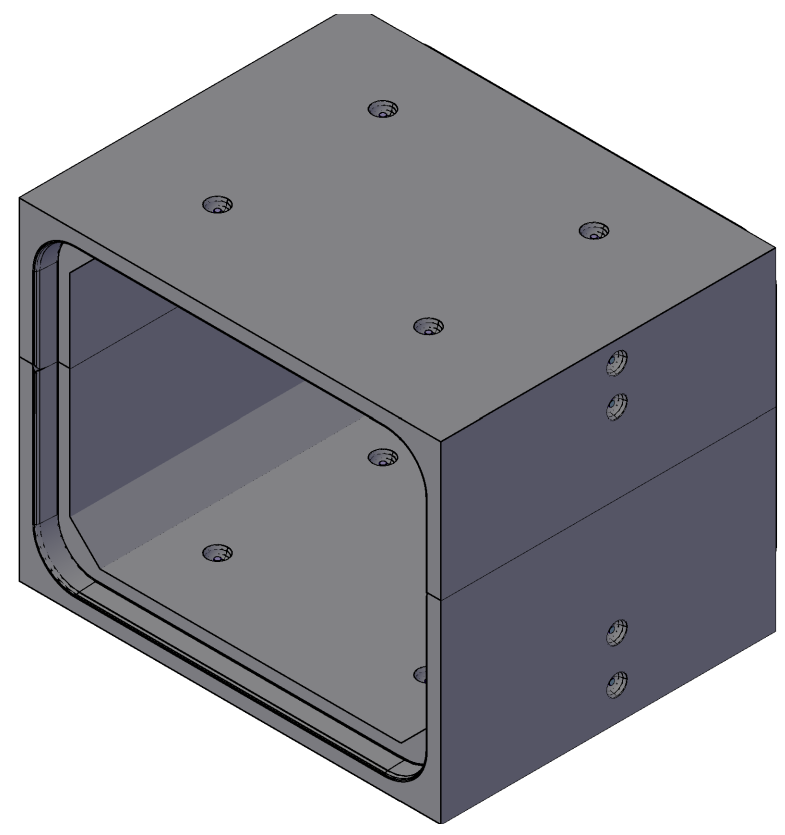
**ELEVATION-A**



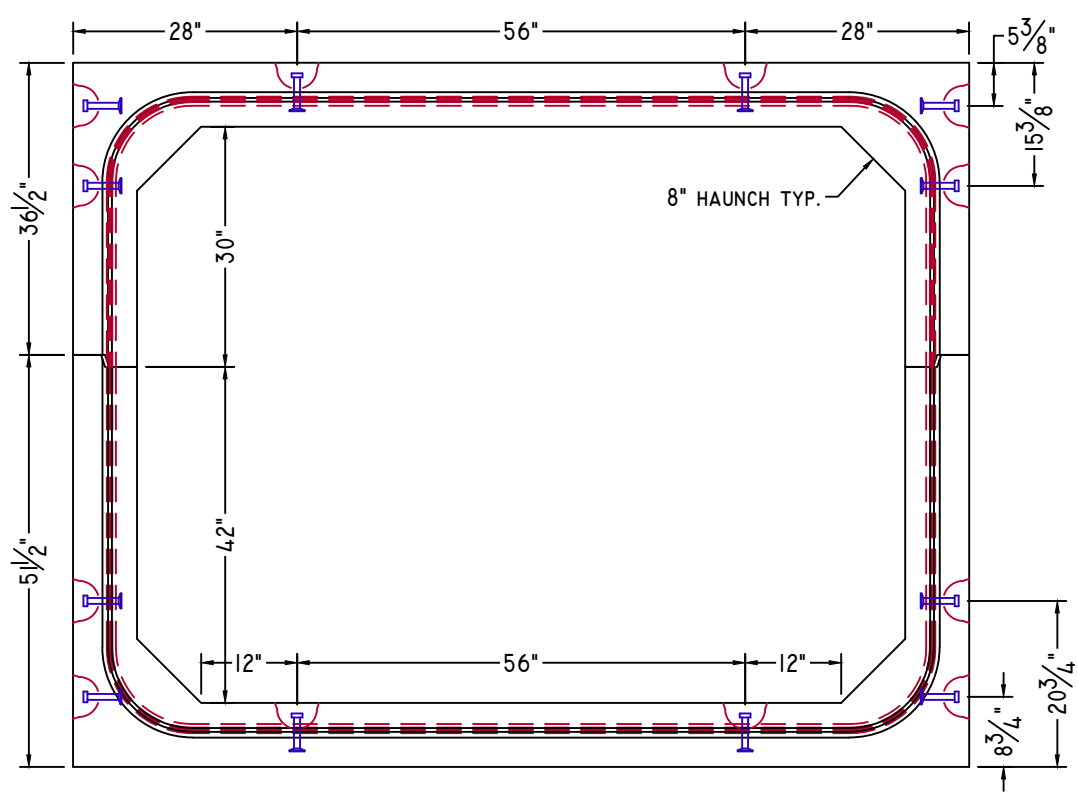
**PLAN VIEW**



**ELEVATION-A**



**ISOMETRIC VIEW**  
NTS



**ELEVATION-B**

**MID SECTION**



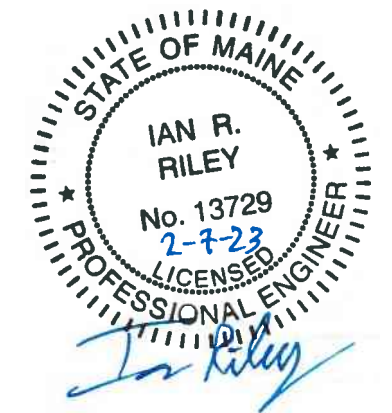
**American Concrete Industries**  
1717 STILLWATER AVE. VEAZIE, ME. 04401  
TEL: 207-947-8334  
FAX: 207-947-3580  
WWW.AMERICANCONCRETE.COM

**BILL OF MATERIALS**

ITEM	QTY	DESCRIPTION	WEIGHT# EA
3	8	MID SECTION TOP	10,965
4	8	MID SECTION BOTTOM	12,630

- DESIGN NOTES:**
- Concrete**
    - 1.1. COMP. STRENGTH MIN. 5,000PSI @ 28 DAYS
    - 1.2. AIR-ENTRAINMENT: 5.5% MIN - 7.5% MAX
  - Structural Reinforcement:**
    - 2.1. BAR PER ASTM A615, GRADE 60
    - 2.2. WWF PER ASTM A1064, GRADE 75
    - 2.3. SUPPLEMENTAL REINFORCING AS SHOWN (WHEN REQUIRED.)
    - 2.4. DESIGNED FOR 125% HL-93 WHEEL LOAD RATING
    - 2.5. 2" CLR EXT., 1 1/2" CLR INT. UNLESS NOTED OTHERWISE
  - Manufacturing / Installation:**
    - 3.1. JOINTS SEALED WITH BUTYL RUBBER SEALANT.
    - 3.2. ALL JOINTS FILLED W/ NON-SHRINK GROUT AFTER INSTALLATION.
    - 3.3. STANDARD BOLT POCKETS W/ 3/4"Ø GALVANIZED HARDWARE USED TO HOLD SECTIONS WITH FLAT JOINTS TOGETHER.
  - Soil / Fill Requirements:**

MINIMUM ALLOWABLE FILL: 4.50'  
MAXIMUM ALLOWABLE FILL: 5.00'



**NOTE:** Some details not shown for clarity.  
**SCALE:** 1/2" = 1'-0" Unless noted otherwise.

STRUCTURE NAME: CULVERT 3: 8' x 6' x 82' (STA. 118+38)  
JOB NAME: US ROUTE I (WIN 20421.10)  
LOCATION: VAN BUREN, ME  
CONTRACTOR: ME DOT

DRAWN BY: SSM	DATE: 02/03/2023
REV.#: 0.00	DATE: 02/03/2023

**C3.2**

# DOWNSTREAM END



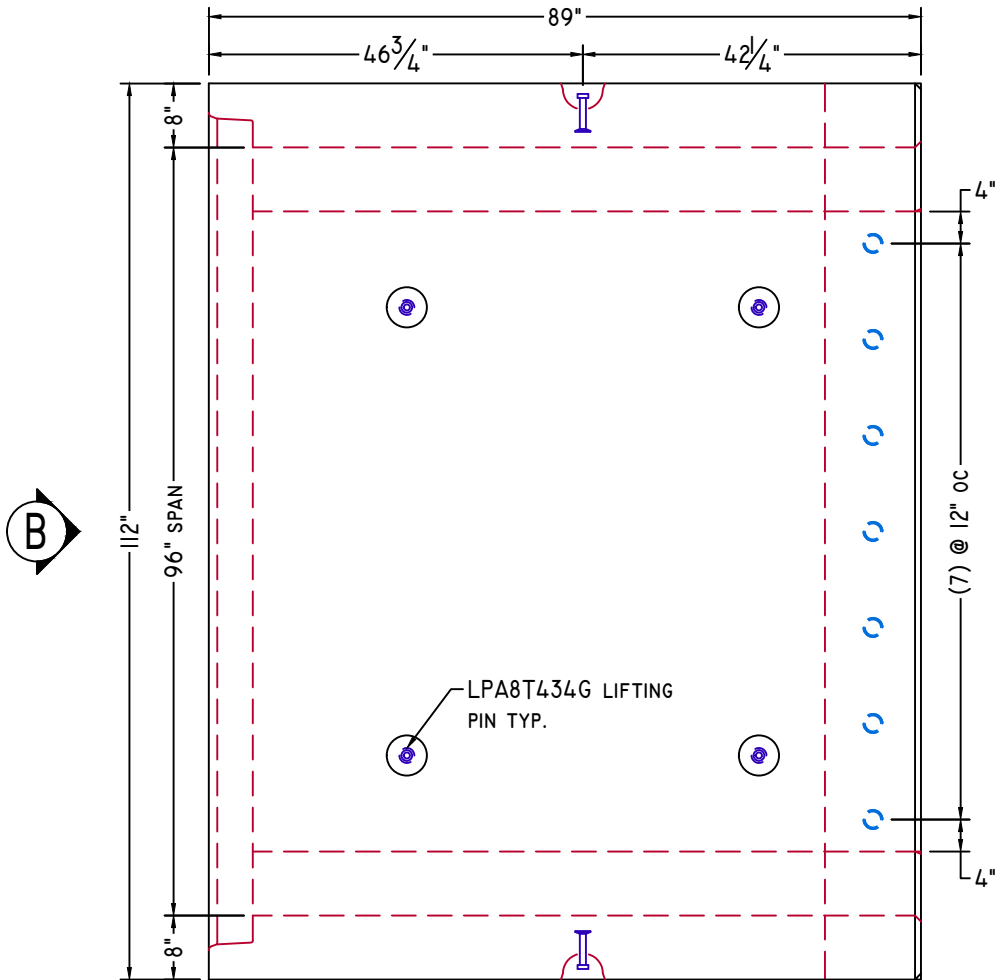
American Concrete Industries  
 1717 STILLWATER AVE. VEAZIE, ME. 04401  
 TEL: 207-947-8334  
 FAX: 207-947-3580  
 WWW.AMERICANCONCRETE.COM

### BILL OF MATERIALS

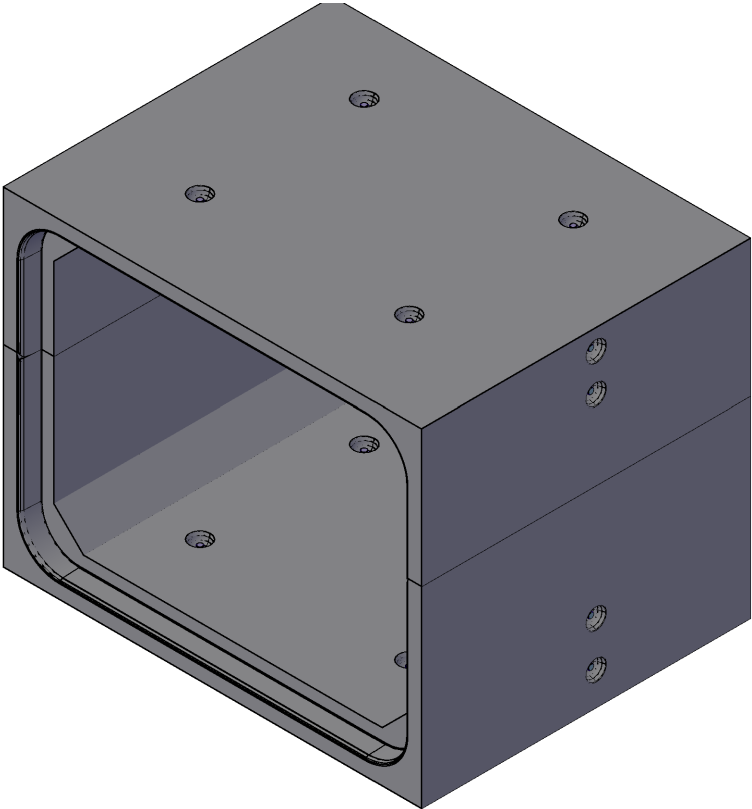
ITEM	QTY	DESCRIPTION	WEIGHT# EA
5	1	DOWNSTREAM END TOP	10,700
6	1	DOWNSTREAM END BOTTOM	12,310

- DESIGN NOTES:
- Concrete**
    - 1.1. COMP. STRENGTH MIN. 5,000PSI @ 28 DAYS
    - 1.2. AIR-ENTRAINMENT: 5.5% MIN - 7.5% MAX
  - Structural Reinforcement:**
    - 2.1. BAR PER ASTM A615, GRADE 60
    - 2.2. WWF PER ASTM A1064, GRADE 75
    - 2.3. SUPPLEMENTAL REINFORCING AS SHOWN (WHEN REQUIRED.)
    - 2.4. DESIGNED FOR 125% HL-93 WHEEL LOAD RATING
    - 2.5. 2" CLR EXT., 1 1/2" CLR INT. UNLESS NOTED OTHERWISE
  - Manufacturing / Installation:**
    - 3.1. JOINTS SEALED WITH BUTYL RUBBER SEALANT.
    - 3.2. ALL JOINTS FILLED W/ NON-SHRINK GROUT AFTER INSTALLATION.
    - 3.3. STANDARD BOLT POCKETS W/ 3/4"Ø GALVANIZED HARDWARE USED TO HOLD SECTIONS WITH FLAT JOINTS TOGETHER.
  - Soil / Fill Requirements:**

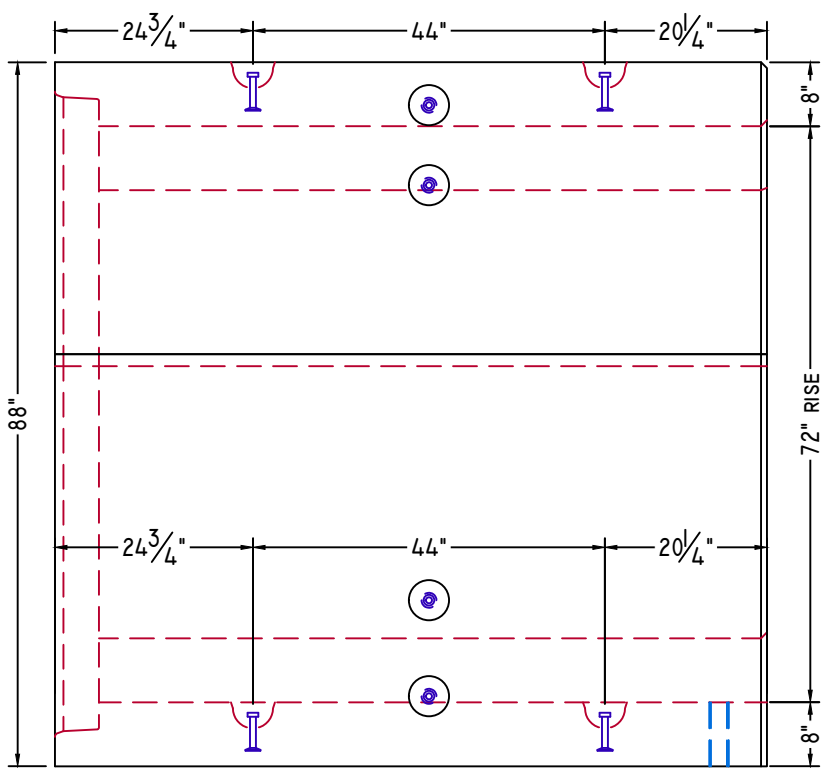
MINIMUM ALLOWABLE FILL: 2.75'  
 MAXIMUM ALLOWABLE FILL: 3.25'



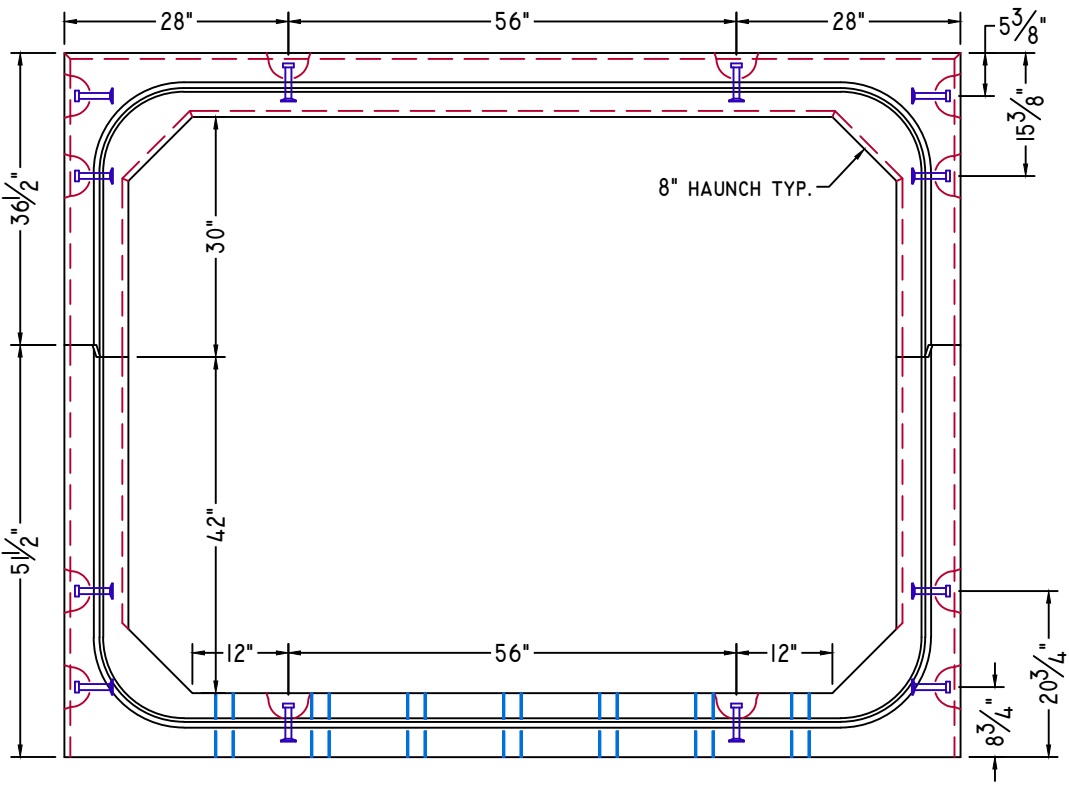
**PLAN VIEW**



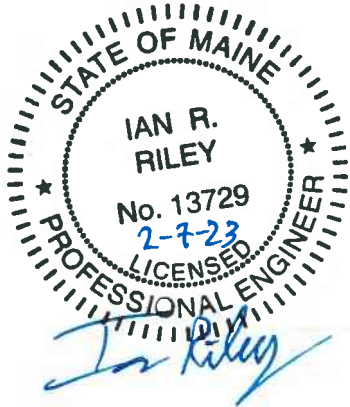
**ISOMETRIC VIEW**  
NTS



**ELEVATION-A**



**ELEVATION-B**



NOTE: Some details not shown for clarity.  
 SCALE: 1/2" = 1'-0" Unless noted otherwise.

STRUCTURE NAME:  
CULVERT 3: 8' x 6' x 82' (STA. 118+38)

JOB NAME:  
US ROUTE I (WIN 20421.10)

LOCATION:  
VAN BUREN, ME

CONTRACTOR:  
ME DOT

DRAWN BY: SSM	DATE: 02/03/2023	<b>C3.3</b>
REV.#: 0.00	DATE: 02/03/2023	

# STANDARD DETAILS



American Concrete Industries

1717 STILLWATER AVE. VEAZIE, ME. 04401

TEL: 207-947-8334

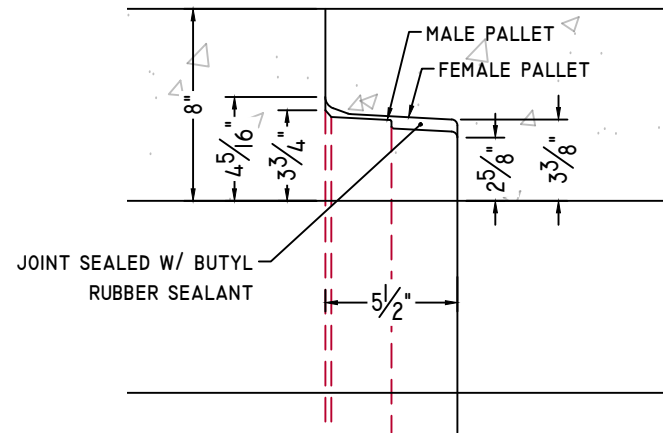
FAX: 207-947-3580

WWW.AMERICANCONCRETE.COM

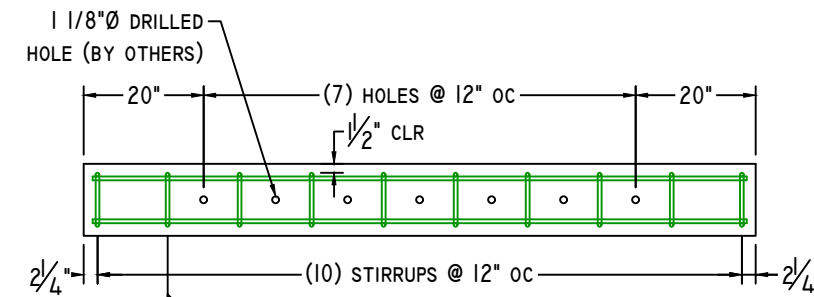
## BILL OF MATERIALS

ITEM	QTY	DESCRIPTION	WEIGHT# EA
------	-----	-------------	------------

INTENTIONALLY LEFT BLANK

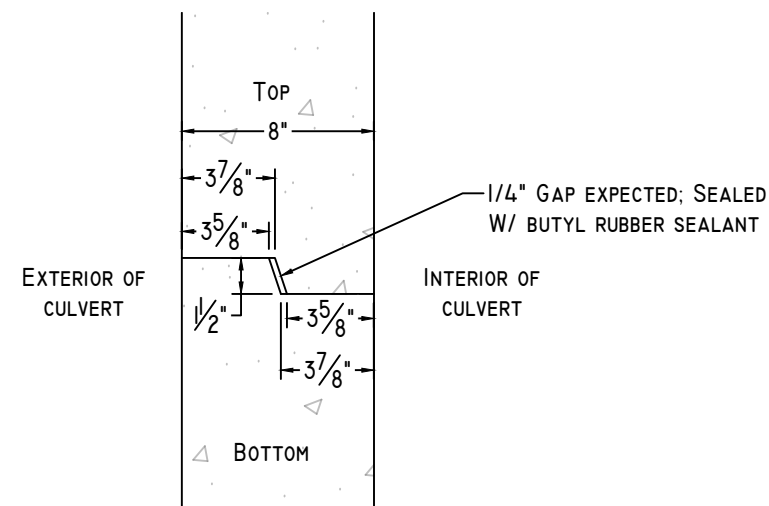


**CULVERT JOINT DETAIL**

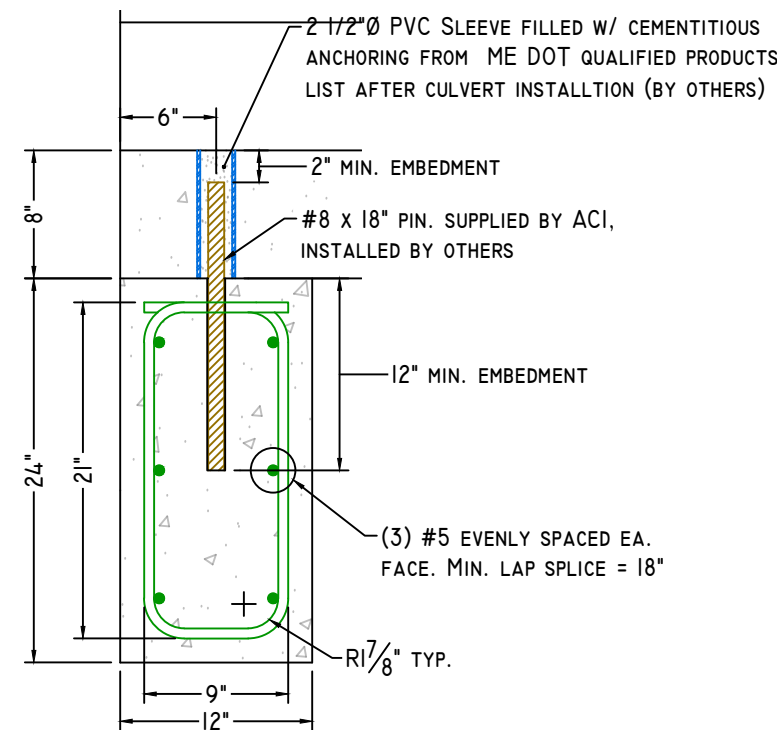


**TOEWALL DETAIL**

3/8" = 1'-0"

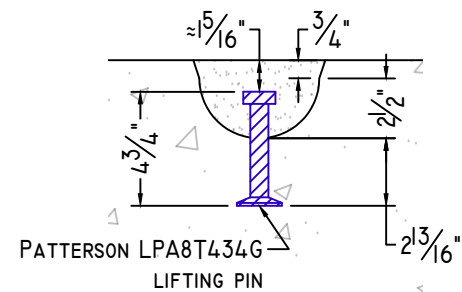


**CLAMSHELL JOINT DETAIL**

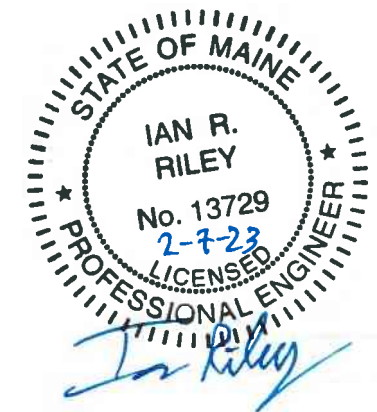


**SECTION-A**

1" = 1'-0"



**8T 4 3/4" LIFTING PIN DETAIL**



NOTE: Some details not shown for clarity.  
SCALE: 1 1/2" = 1'-0" Unless noted otherwise.

STRUCTURE NAME:  
CULVERT 3: 8' x 6' x 82' (STA. 118+38)

JOB NAME:  
US ROUTE I (WIN 20421.10)

LOCATION:  
VAN BUREN, ME

CONTRACTOR:  
ME DOT

DRAWN BY: SSM  
DATE: 02/03/2023

REV.#: 0.00  
DATE: 02/03/2023

**D3.0**

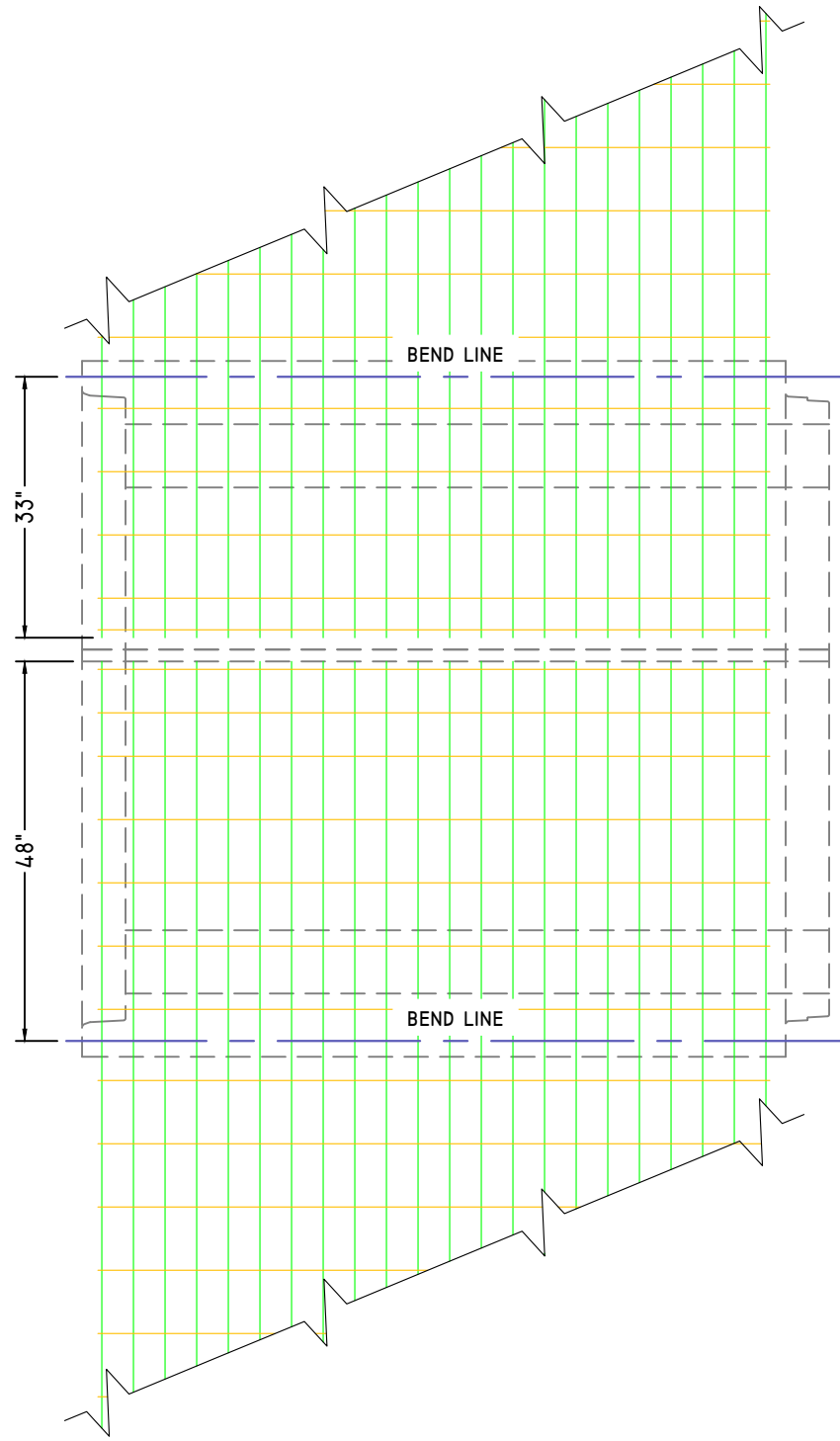
# WELDED WIRE DETAILS



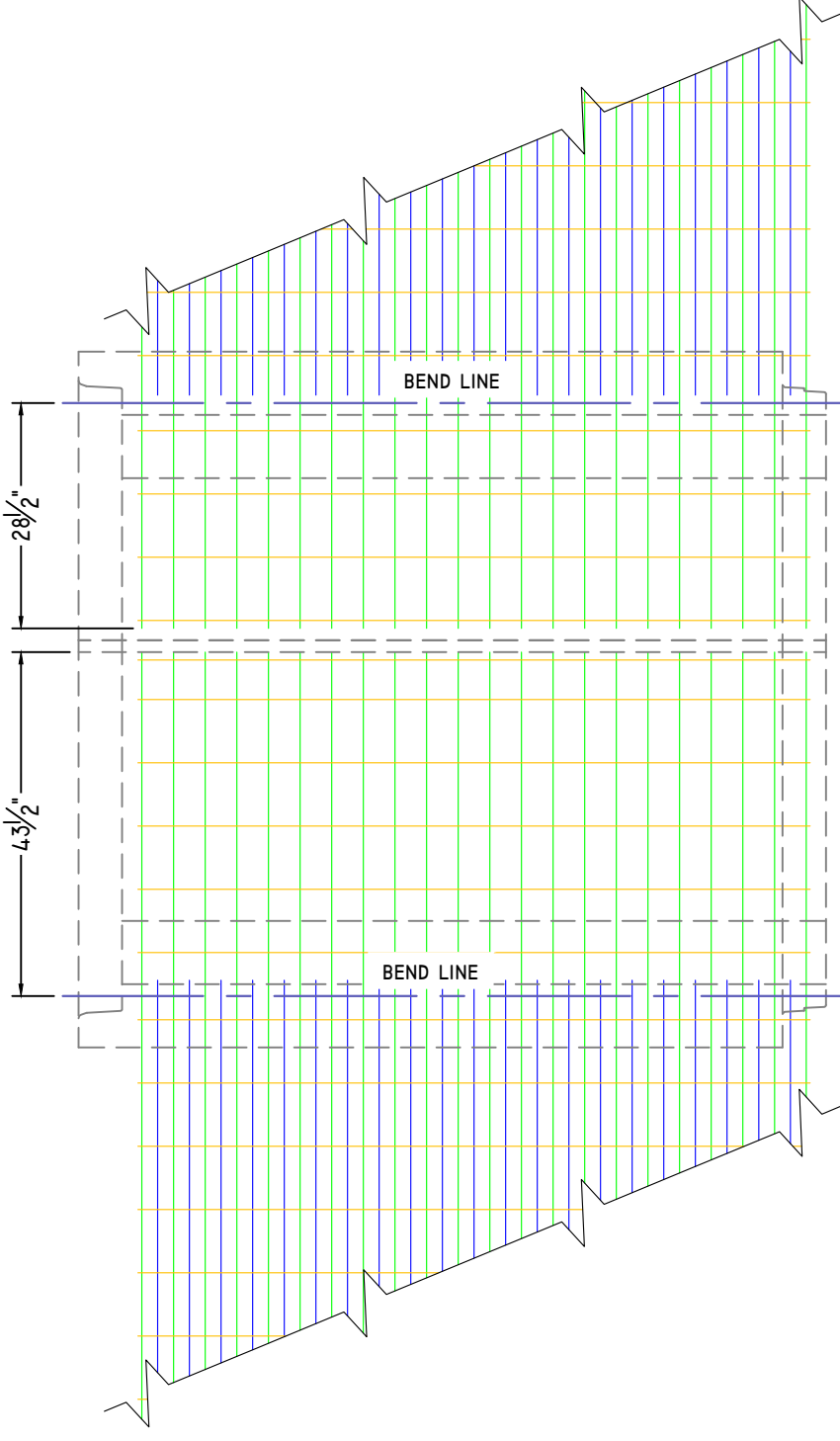
American Concrete Industries  
 1717 STILLWATER AVE. VEAZIE, ME. 04401  
 TEL: 207-947-8334  
 FAX: 207-947-3580  
 WWW.AMERICANCONCRETE.COM

## BILL OF MATERIALS

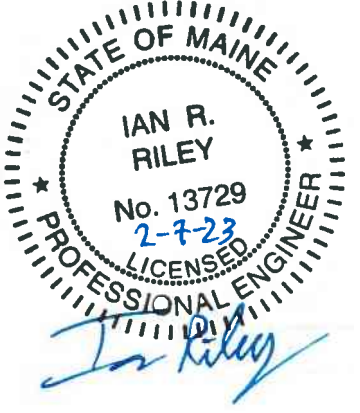
ITEM	QTY	DESCRIPTION	WEIGHT# EA
INTENTIONALLY LEFT BLANK			



TYPICAL EXTERIOR



TYPICAL INTERIOR



NOTE: Some details not shown for clarity.  
 SCALE: 1/2" = 1'-0" Unless noted otherwise.

STRUCTURE NAME:	CULVERT 3: 8' x 6' x 82' (STA. 118+38)	
JOB NAME:	US ROUTE 1 (WIN 20421.10)	
LOCATION:	VAN BUREN, ME	
CONTRACTOR:	ME DOT	

DRAWN BY:	DATE:
SSM	02/03/2023
REV.#:	DATE:
0.00	02/03/2023

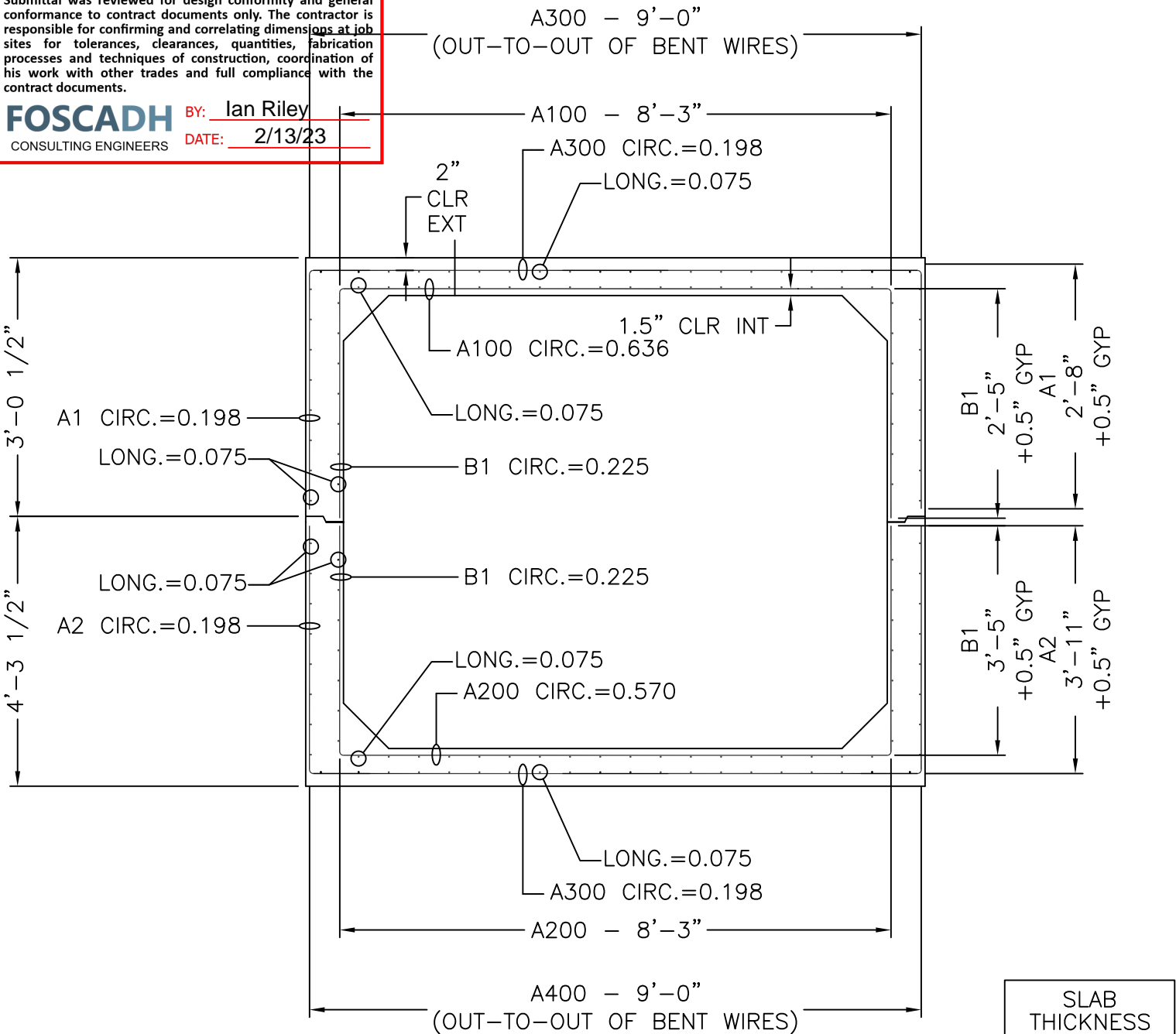
W3.0

**SHOP DRAWING/SUBMITTAL REVIEW**

- APPROVED
- APPROVED WITH CHANGES NOTES
- REVISE AND RESUBMIT
- REJECTED: \_\_\_\_\_

Submittal was reviewed for design conformity and general conformance to contract documents only. The contractor is responsible for confirming and correlating dimensions at job sites for tolerances, clearances, quantities, fabrication processes and techniques of construction, coordination of his work with other trades and full compliance with the contract documents.

**FOSCADH** BY: Ian Riley  
 CONSULTING ENGINEERS DATE: 2/13/23



8' x 6' x 7'-5"

CROSS SECTION WITH AREAS OF STEEL

SLAB THICKNESS	
TOP	8"
BOTTOM	8"
WALLS	8"

MECHANICAL DIMENSIONS

DIM. 'L'	=	N/A
DIM. 'M'	=	N/A
DIM. 'R'	=	N/A
DIM. 'S'	=	N/A

CAGE WEIGHT PER 7'-5" JOINT = 608.0 lbs

BOX SIZE: 8' X 6' X 7'-5"	ASTM: HL-93	TABLE: 125%	FILL: -
------------------------------	----------------	----------------	------------



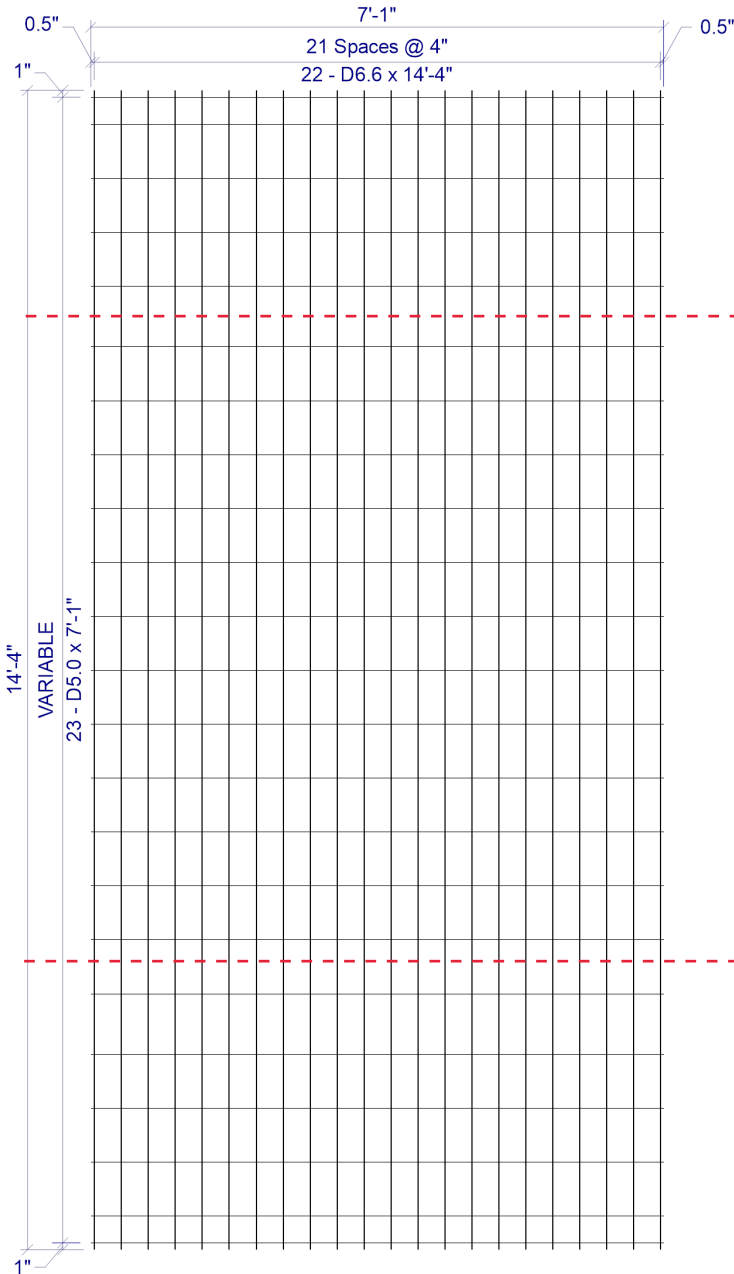
**Concrete Reinforcements, Inc.**  
 3830 Presidents Way  
 Jacksonville, FL 32220  
 PH. 904-520-7100 FAX. 904-520-7101

CUSTOMER: AMERICAN CONCRETE	DRAWN BY: BWA	REVISION: -	SHEET DESCRIPTION: COVER	
PROJECT: 8' X 6' X 7'-5" VAN BUREN #3	DATE: 2/3/2023	REVISION DATE: -	FILE NAME: F22-4380	
CHECKED BY: BWA	SCALE: NTS	PROJECT #: F22-4380	SHEET #: 1 OF 5	

# SHEET DESIGN



**Concrete Reinforcements, Inc.**  
 3830 Presidents Way • Jacksonville, FL 32220  
 Phone: 904-520-7100 • Fax: 904-520-7101



BEND  
LINE

BEND  
LINE

CUSTOMER American Concrete  
 PROJECT F22-4380 - Drawings - 8x6 Vanburen #3 - American - 1-23-2023  
 LOCATION Veazie, ME  
 DATE 02-02-2023 MARK NUMBER A1/A300(-01)

L.W.SPAC 4"  
 C.W.SPAC VAR  
 L.W.1 SIZE D6.6  
 L.W.2 SIZE N/A  
 C.W.SIZE D5.0  
 WIDTH 7'-1"  
 LENGTH 14'-4"  
 OH.LEFT 0.5"  
 OH.RIGHT 0.5"  
 OH.TOP 1"  
 OH.BOTTOM 1"  
 YIELD 75,000psi  
 BENT -  
 CUT -  
 ROLL -

W I R E S	LINE WIRE 1	LINE WIRE 2	CROSS WIRE
	NO. PER SHEET	22	N/A
SIZE	D6.6	N/A	D5.0
LENGTH	14'-4"	-	7'-1"
W.T./SHEET			
SHEET W.T.	108.20#		
QUANTITY	11		
SUB TOTAL WEIGHT			
TOTAL WEIGHT			
S.F./SHEET			
LBS/CSF			
Ast/LF			
ST.DENSITY			

SPECIAL REMARKS:  
 BEND DIMS: SLAB=108", WALLS=32" (+0.5" GYP)

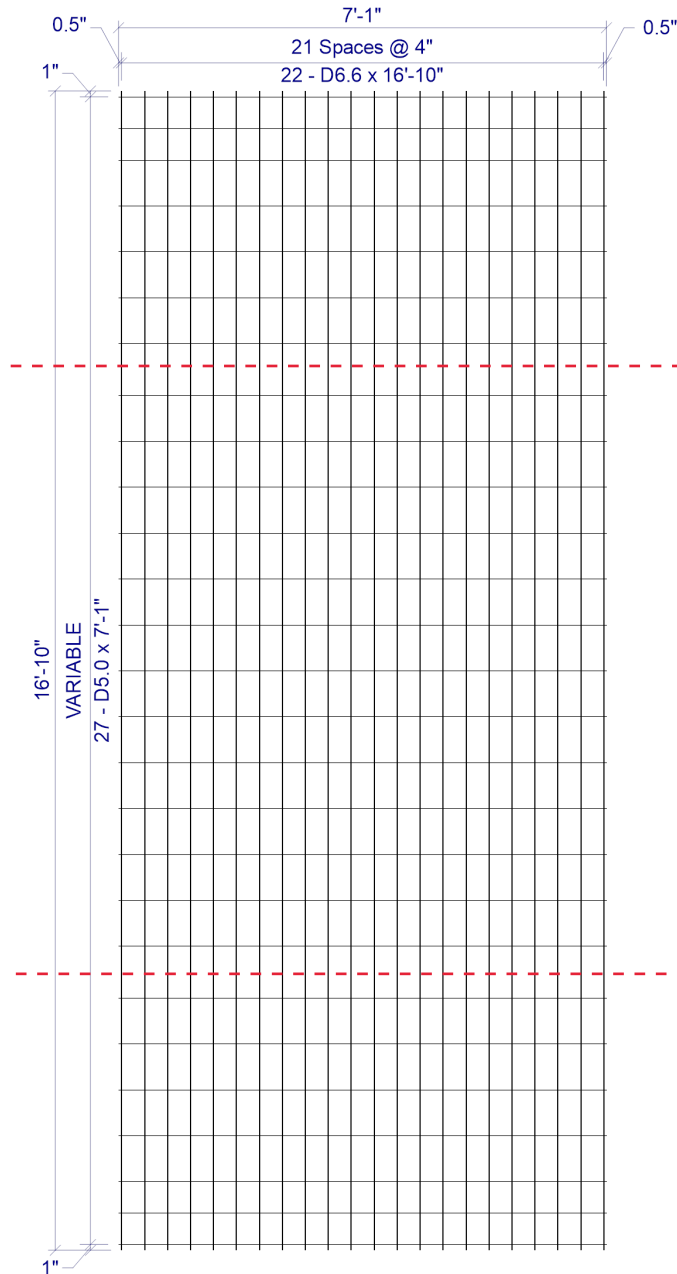
**4 x VAR D6.6 / D5.0 (GRADE 75) 84(+0.5, +0.5) x 14'-4" (1, 1)**  
 VAR = 1" OH, 1@4", 3@8", 1@9", 12@8", 1@9", 3@8", 1@4", 1" OH

APPROVED \_\_\_\_\_

# SHEET DESIGN



**Concrete Reinforcements, Inc.**  
 3830 Presidents Way • Jacksonville, FL 32220  
 Phone: 904-520-7100 • Fax: 904-520-7101



BEND  
LINE

BEND  
LINE

CUSTOMER American Concrete  
 PROJECT F22-4380 - Drawings - 8x6 Vanburen #3 - American - 1-23-2023  
 LOCATION Veazie, ME  
 DATE 02-02-2023 MARK NUMBER A2/A400 (-02)

L.W.SPACE 4"  
 C.W.SPACE VAR  
 L.W.1 SIZE D6.6  
 L.W.2 SIZE N/A  
 C.W.SIZE D5.0  
 WIDTH 7'-1"  
 LENGTH 16'-10"  
 OH.LEFT 0.5"  
 OH.RIGHT 0.5"  
 OH.TOP 1"  
 OH.BOTTOM 1"  
 YIELD 75,000psi  
 BENT -  
 CUT -  
 ROLL -

W I R E S	LINE WIRE 1	LINE WIRE 2	CROSS WIRE
	NO. PER SHEET	22	N/A
SIZE	D6.6	N/A	D5.0
LENGTH	16'-10"	-	7'-1"
W.T./SHEET			
SHEET W.T.	130.20#		
QUANTITY	11		
SUB TOTAL WEIGHT			
TOTAL WEIGHT			
S.F./SHEET			
LBS/CSF			
Ast/LF			
ST.DENSITY			

SPECIAL REMARKS:  
 BEND DIMS: SLAB=108", WALLS=47" (+0.5"GYP)

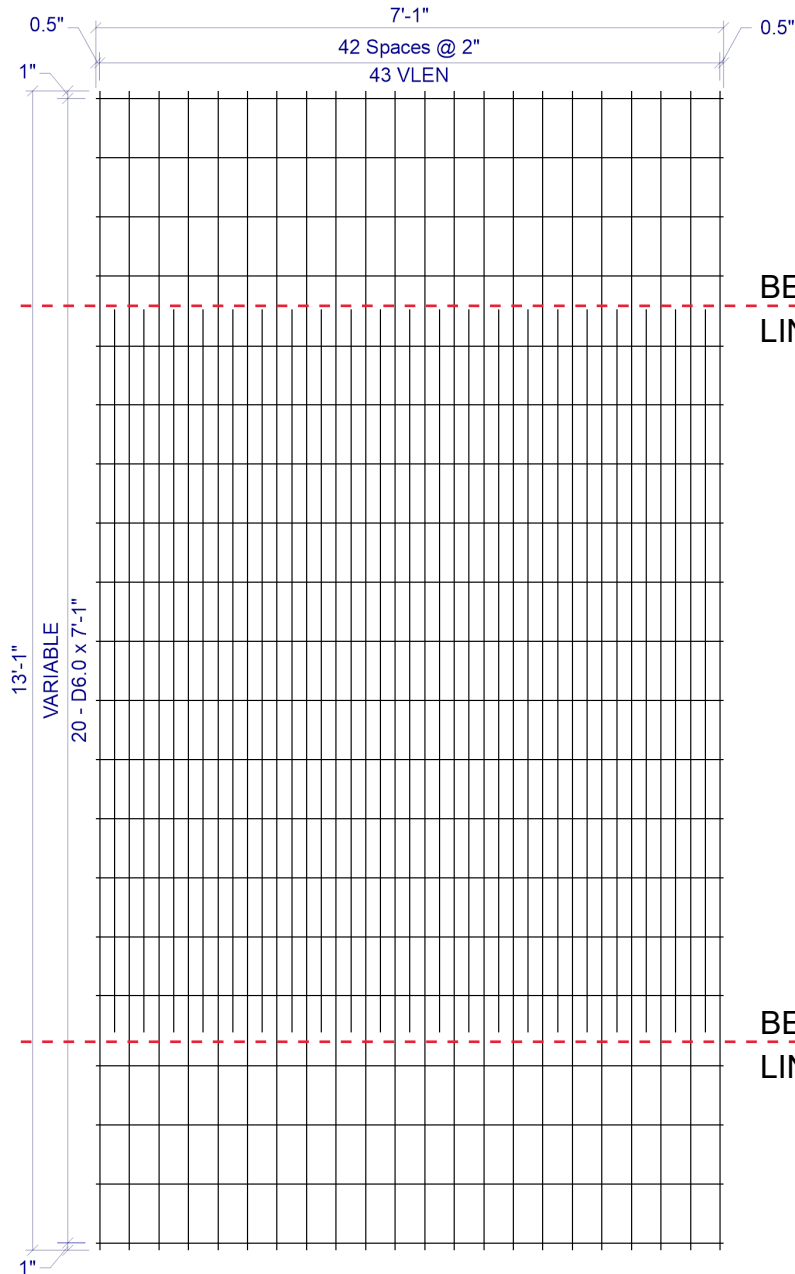
**4 x VAR D6.6 / D5.0 (GRADE 75) 84(+0.5, +0.5) x 16'-10" (1, 1)**  
 VAR = 1" OH, 2@5.5", 4@8", 1@9", 12@8", 1@9", 4@8", 2@5.5", 1" OH

APPROVED \_\_\_\_\_

# SHEET DESIGN



**Concrete Reinforcements, Inc.**  
 3830 Presidents Way • Jacksonville, FL 32220  
 Phone: 904-520-7100 • Fax: 904-520-7101



BEND LINE

BEND LINE

CUSTOMER American Concrete

PROJECT F22-4380 - Drawings - 8x6 Vanburen #3 - American - 1-23-2023

LOCATION Veazie, ME

DATE 02-02-2023 MARK NUMBER B1/A100(-03)

L.W.SPACE 2"

C.W.SPACE VAR

L.W.1 SIZE D7.5

L.W.2 SIZE D13.7

C.W.SIZE D6.0

WIDTH 7'-1"

LENGTH 13'-1"

OH.LEFT 0.5"

OH.RIGHT 0.5"

OH.TOP 1"

OH.BOTTOM 1"

YIELD 75,000psi

BENT -

CUT -

ROLL -

W I R E S	LINE WIRE 1	LINE WIRE 2	CROSS WIRE
	NO. PER SHEET	22	21
SIZE	D7.5	D13.7	D6.0
LENGTH	13'-1"	8'-2"	7'-1"
W.T./SHEET			
SHEET W.T.	189.80#		
QUANTITY	11		
SUB TOTAL WEIGHT			
TOTAL WEIGHT			
S.F./SHEET			
LBS/CSF			
Ast/LF			
ST.DENSITY			

SPECIAL REMARKS:  
 BEND DIMS: SLAB=99", WALLS=29" (+0.5 GYP)

**2 x VAR D7.5 / D13.7 / D6.0 (GRADE 75) 84"(+0.5", +0.5") x VLEN(1", 1")**

VLEN = ALTERNATING LENGTH 8'-2" & 13'-1" WITH 13'-1" @ LHS & RHS

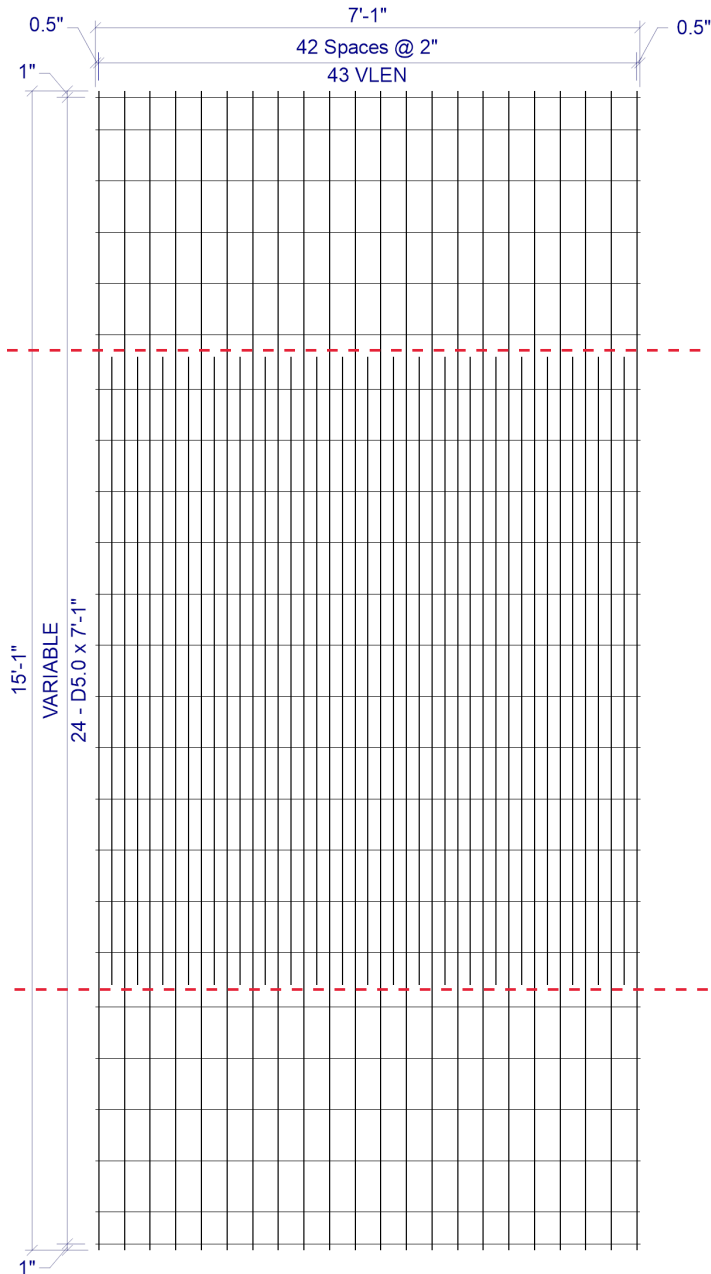
VAR = 1" OH, 3@8", 1@9.5", 11@8", 1@9.5", 3@8", 1" OH

APPROVED \_\_\_\_\_

# SHEET DESIGN



**Concrete Reinforcements, Inc.**  
 3830 Presidents Way • Jacksonville, FL 32220  
 Phone: 904-520-7100 • Fax: 904-520-7101



BEND LINE

BEND LINE

CUSTOMER American Concrete  
 PROJECT F22-4380 - Drawings - 8x6 Vanburen #3 - American - 1-23-2023  
 LOCATION Veazie, ME  
 DATE 02-02-2023 MARK NUMBER B1/A200 (-04)

L.W.SPACE 2"  
 C.W.SPACE VAR  
 L.W.1 SIZE D7.5  
 L.W.2 SIZE D11.5  
 C.W.SIZE D5.0  
 WIDTH 7'-1"  
 LENGTH 15'-1"  
 OH.LEFT 0.5"  
 OH.RIGHT 0.5"  
 OH.TOP 1"  
 OH.BOTTOM 1"  
 YIELD 75,000psi  
 BENT -  
 CUT -  
 ROLL -

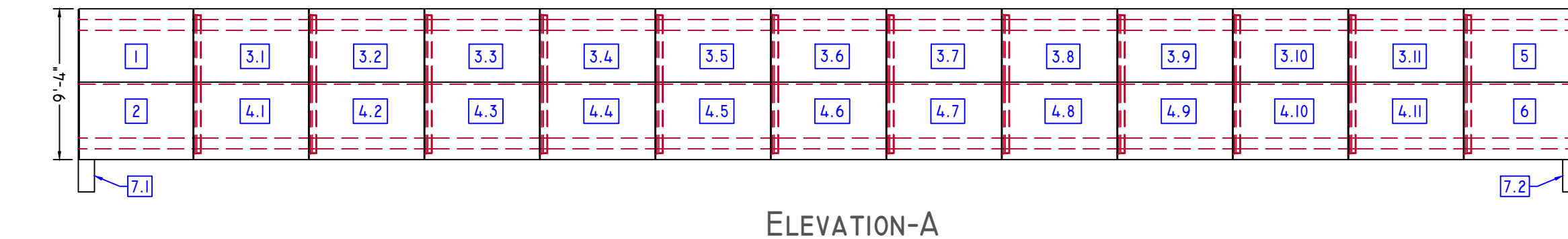
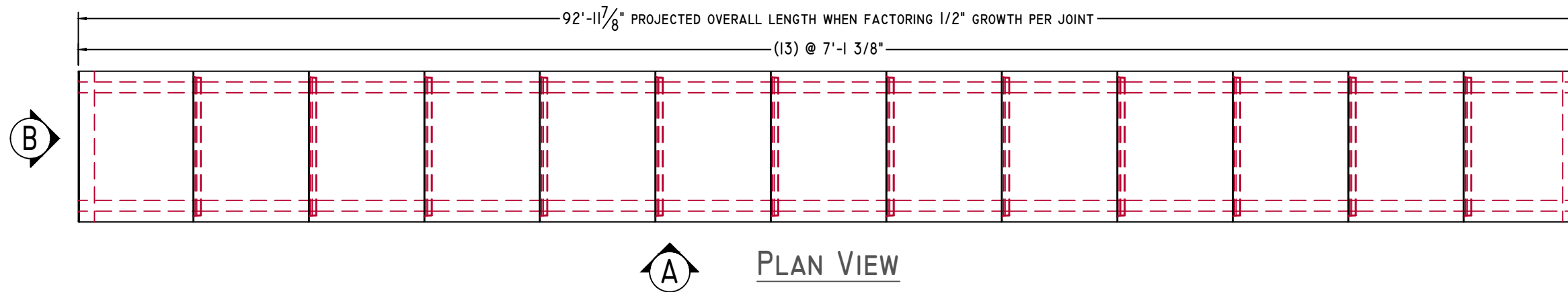
W I R E S	LINE WIRE 1	LINE WIRE 2	CROSS WIRE
	NO. PER SHEET	22	21
SIZE	D7.5	D11.5	D5.0
LENGTH	15'-1"	8'-2"	7'-1"
W.T./SHEET			
SHEET W.T.	180.60#		
QUANTITY	11		
SUB TOTAL WEIGHT			
TOTAL WEIGHT			
S.F./SHEET			
LBS/CSF			
Ast/LF			
ST.DENSITY			

SPECIAL REMARKS:  
 BEND DIMS: SLAB=99", WALL=41" (+0.5"GYP)

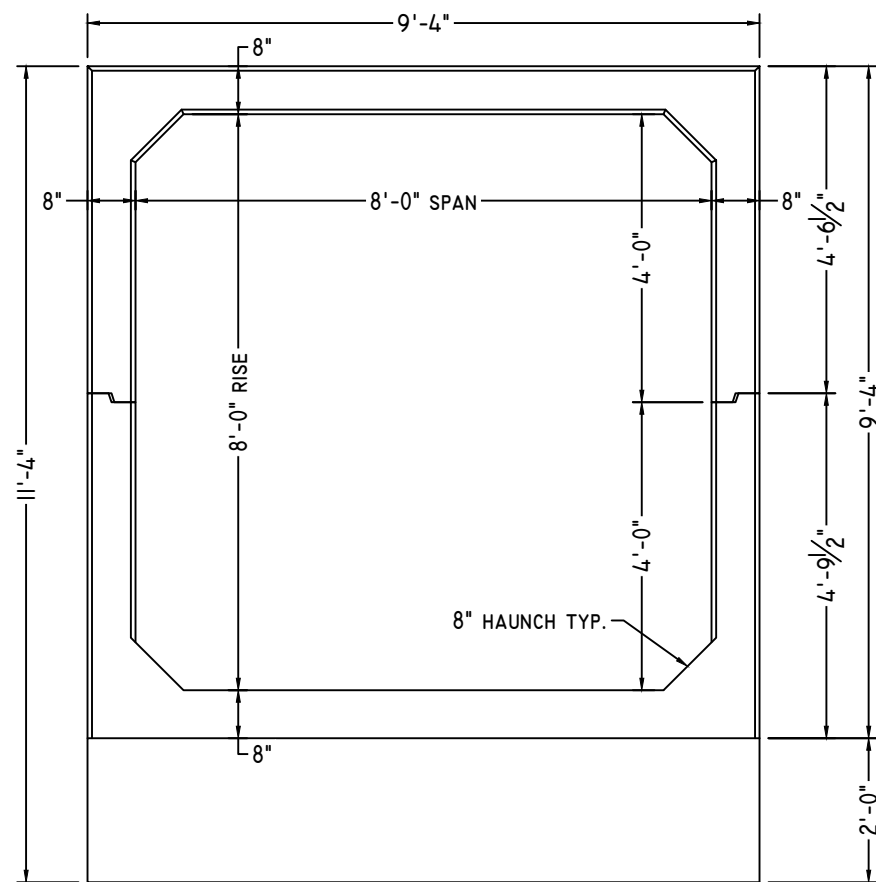
**2 x VAR D7.5 / D11.5 / D5.0 (GRADE 75) 84"(+0.5", +0.5") x VLEN(1", 1")**  
 VLEN = ALTERNATING LENGTH 8'-2" & 15'-1" WITH 15'-1" @ LHS & RHS  
 VAR = 1" OH, 1@5", 4@8", 1@8.5", 11@8", 1@8.5", 4@8", 1@5", 1" OH

APPROVED \_\_\_\_\_

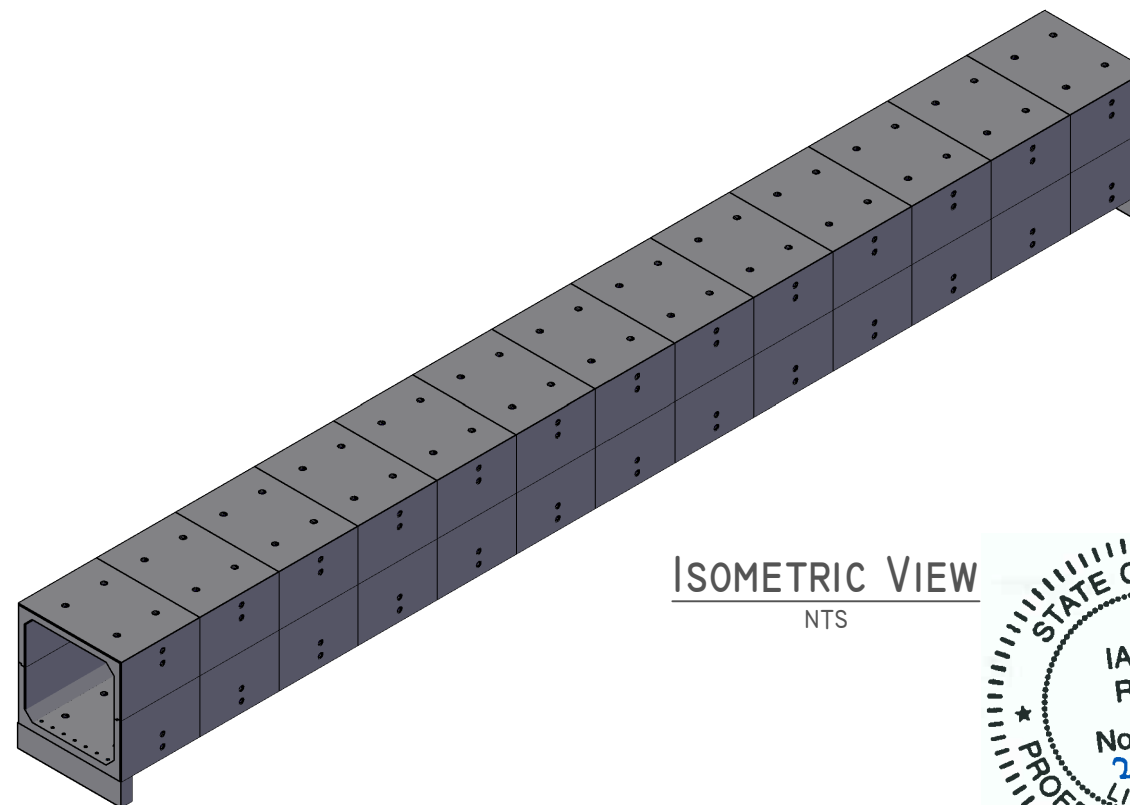
# OVERALL



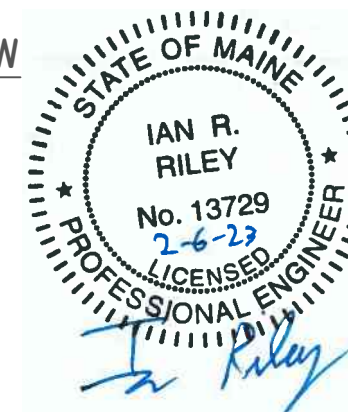
**ELEVATION-A**



**ELEVATION-B**  
3/8" = 1'-0"



**ISOMETRIC VIEW**  
NTS



**American Concrete Industries**  
1717 STILLWATER AVE. VEAZIE, ME. 04401  
TEL: 207-947-8334  
FAX: 207-947-3580  
WWW.AMERICANCONCRETE.COM

### BILL OF MATERIALS

ITEM	QTY	DESCRIPTION	WEIGHT# EA
1	1	UPSTREAM END TOP	12,980
2	1	UPSTREAM END BOTTOM	13,140
3	11	MID SECTION TOP	12,645
4	11	MID SECTION BOTTOM	12,820
5	1	DOWNSTREAM END TOP	12,320
6	1	DOWNSTREAM END BOTTOM	12,485
7	2	1' x 2' x 9'-4" TOEWALL	2,795
8	14	#8 x 18" TOEWALL PIN (SHIPPED LOOSE)	

#### DESIGN NOTES:

- Concrete**
  - 1.1. COMP. STRENGTH MIN. 5,000PSI @ 28 DAYS
  - 1.2. AIR-ENTRAINMENT: 5.5% MIN - 7.5% MAX
- Structural Reinforcement:**
  - 2.1. BAR PER ASTM A615, GRADE 60
  - 2.2. WWF PER ASTM A1064, GRADE 75
  - 2.3. SUPPLEMENTAL REINFORCING AS SHOWN (WHEN REQUIRED.)
  - 2.4. DESIGNED FOR 125% HL-93 WHEEL LOAD RATING
  - 2.5. 2" CLR EXT., 1 1/2" CLR INT. UNLESS NOTED OTHERWISE
- Manufacturing / Installation:**
  - 3.1. JOINTS SEALED WITH BUTYL RUBBER SEALANT.
  - 3.2. ALL JOINTS FILLED W/ NON-SHRINK GROUT AFTER INSTALLATION.
- Soil / Fill Requirements:**
  - MINIMUM ALLOWABLE FILL: 4.50'
  - MAXIMUM ALLOWABLE FILL: 5.00'

**NOTE:** Some details not shown for clarity.  
**SCALE:** 1/8" = 1'-0" Unless noted otherwise.

STRUCTURE NAME: CULVERT 2: 8' x 8' x 93' (STA. 50+35)	
JOB NAME: US ROUTE 1 (WIN 20421.10)	
LOCATION: VAN BUREN, ME	
CONTRACTOR: ME DOT	
DRAWN BY: SSM	DATE: 01/25/2023
REV.#: 0.00	DATE: 01/25/2023

**C2.0**

# UPSTREAM END



American Concrete Industries

1717 STILLWATER AVE. VEAZIE, ME. 04401

TEL: 207-947-8334

FAX: 207-947-3580

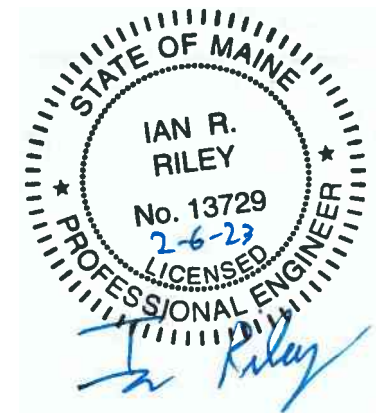
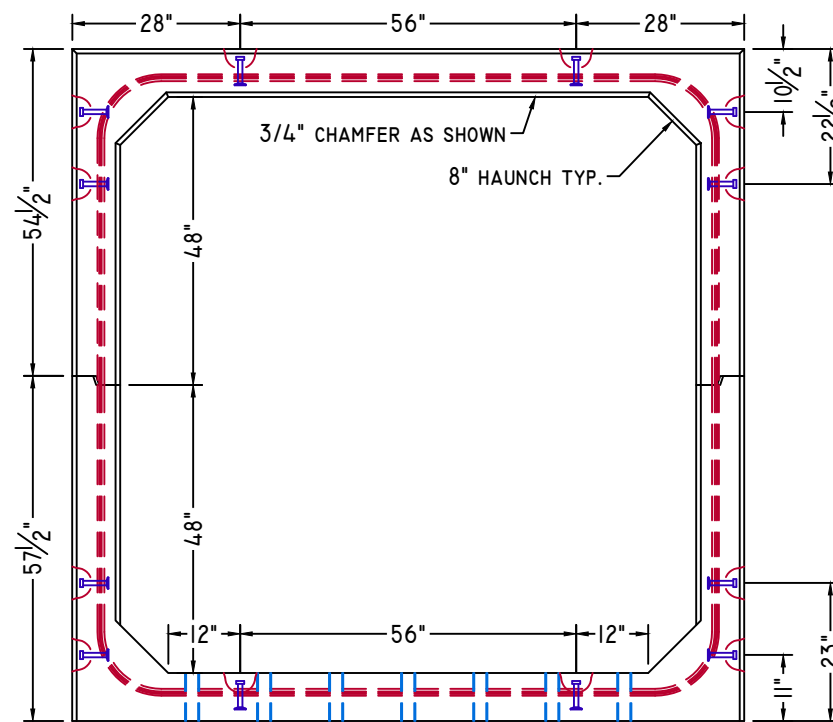
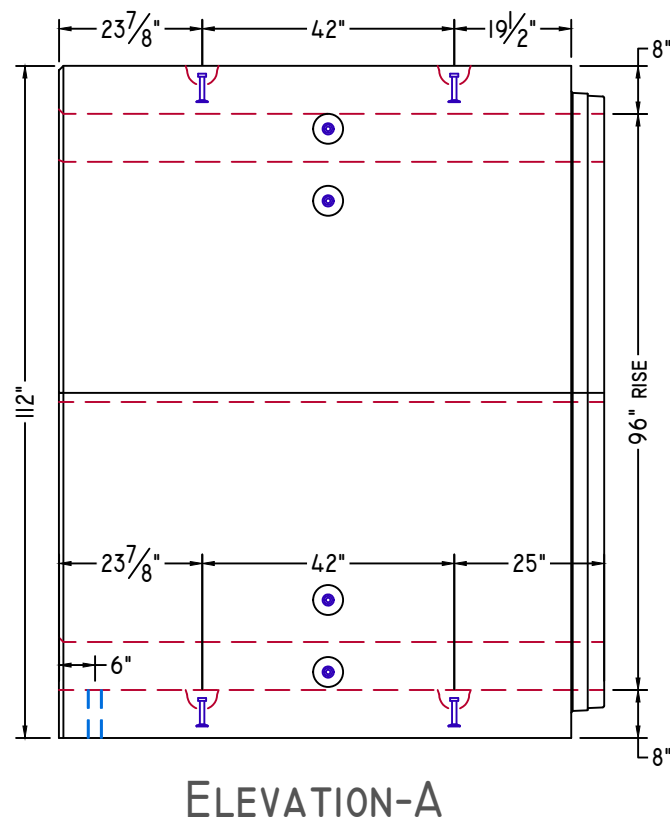
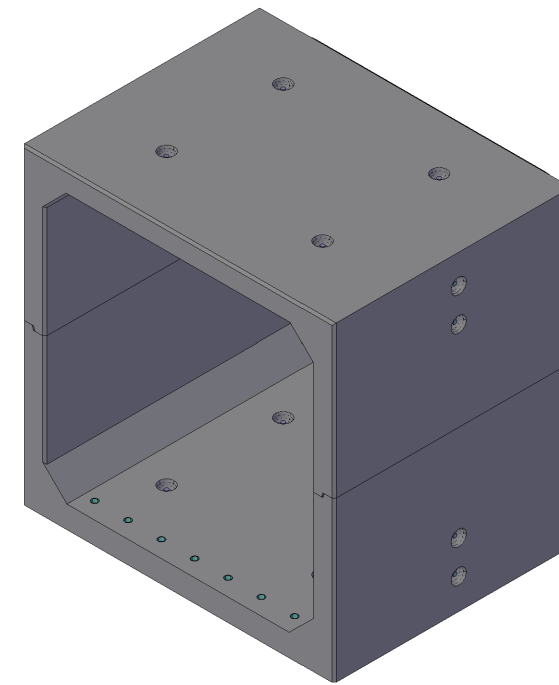
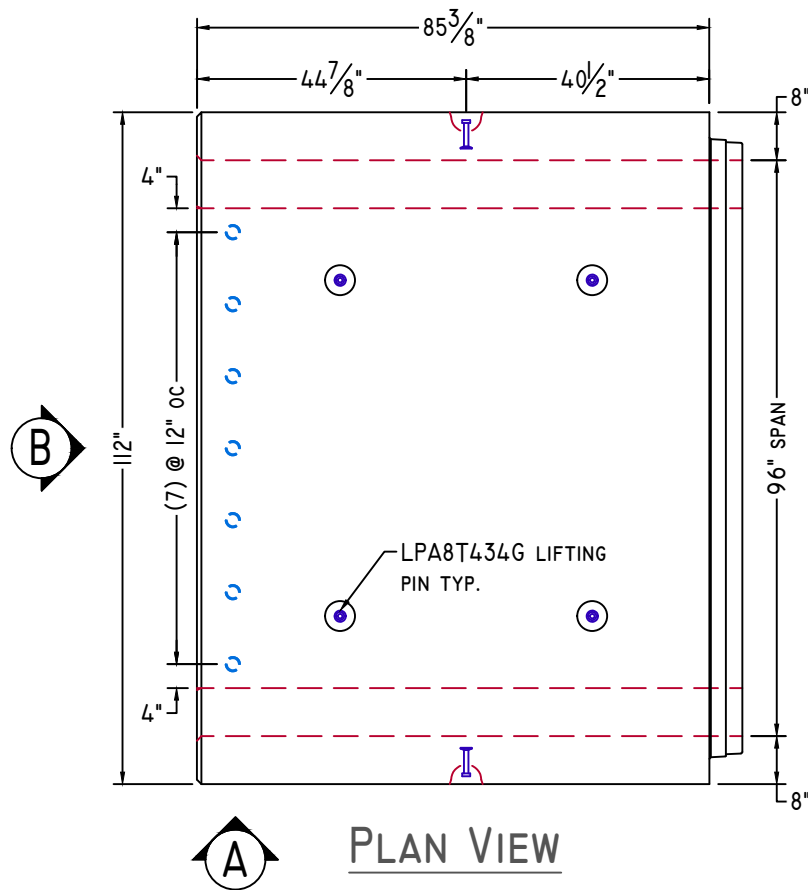
WWW.AMERICANCONCRETE.COM

## BILL OF MATERIALS

ITEM	QTY	DESCRIPTION	WEIGHT# EA
1	1	UPSTREAM END TOP	12,980
2	1	UPSTREAM END BOTTOM	13,140

### DESIGN NOTES:

1. **Concrete**
  - 1.1. COMP. STRENGTH MIN. 5,000PSI @ 28 DAYS
  - 1.2. AIR-ENTRAINMENT: 5.5% MIN - 7.5% MAX
2. **Structural Reinforcement:**
  - 2.1. BAR PER ASTM A615, GRADE 60
  - 2.2. WWF PER ASTM A1064, GRADE 75
  - 2.3. SUPPLEMENTAL REINFORCING AS SHOWN (WHEN REQUIRED.)
  - 2.4. DESIGNED FOR 125% HL-93 WHEEL LOAD RATING
  - 2.5. 2" CLR EXT., 1 1/2" CLR INT. UNLESS NOTED OTHERWISE
3. **Manufacturing / Installation:**
  - 3.1. JOINTS SEALED WITH BUTYL RUBBER SEALANT.
  - 3.2. ALL JOINTS FILLED W/ NON-SHRINK GROUT AFTER INSTALLATION.
4. **Soil / Fill Requirements:**
  - MINIMUM ALLOWABLE FILL: 4.50'
  - MAXIMUM ALLOWABLE FILL: 5.00'



NOTE: Some details not shown for clarity.  
SCALE: 3/8" = 1'-0" Unless noted otherwise.

STRUCTURE NAME:  
CULVERT 2: 8' x 8' x 93' (STA. 50+35)

JOB NAME:  
US ROUTE 1 (WIN 20421.10)

LOCATION:  
VAN BUREN, ME

CONTRACTOR:  
ME DOT

DRAWN BY: SSM  
DATE: 01/25/2023

REV.#: 0.00  
DATE: 01/25/2023

C2.1

# MID SECTION

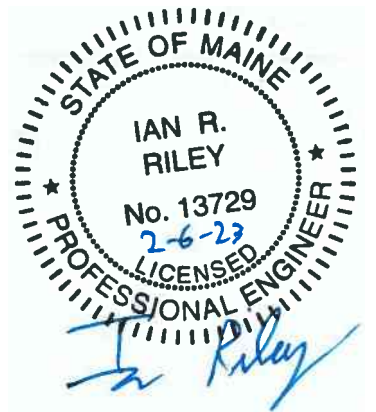


American Concrete Industries  
 1717 STILLWATER AVE. VEAZIE, ME. 04401  
 TEL: 207-947-8334  
 FAX: 207-947-3580  
 WWW.AMERICANCONCRETE.COM

## BILL OF MATERIALS

ITEM	QTY	DESCRIPTION	WEIGHT# EA
3	II	MID SECTION TOP	12,645
4	II	MID SECTION BOTTOM	12,820

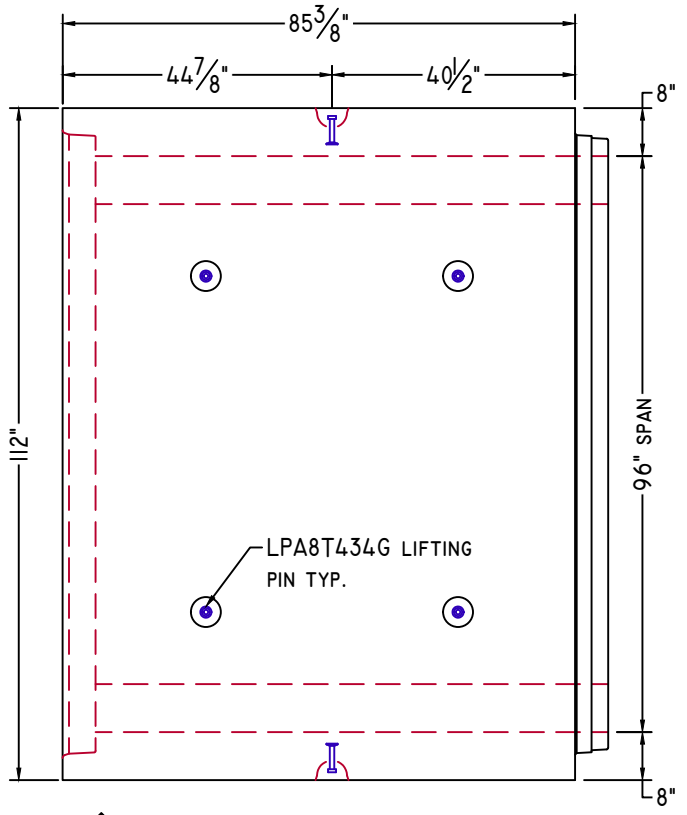
- DESIGN NOTES:
- Concrete**
    - 1.1. COMP. STRENGTH MIN. 5,000PSI @ 28 DAYS
    - 1.2. AIR-ENTRAINMENT: 5.5% MIN - 7.5% MAX
  - Structural Reinforcement:**
    - 2.1. BAR PER ASTM A615, GRADE 60
    - 2.2. WWF PER ASTM A1064, GRADE 75
    - 2.3. SUPPLEMENTAL REINFORCING AS SHOWN (WHEN REQUIRED.)
    - 2.4. DESIGNED FOR 125% HL-93 WHEEL LOAD RATING
    - 2.5. 2" CLR EXT., 1 1/2" CLR INT. UNLESS NOTED OTHERWISE
  - Manufacturing / Installation:**
    - 3.1. JOINTS SEALED WITH BUTYL RUBBER SEALANT.
    - 3.2. ALL JOINTS FILLED W/ NON-SHRINK GROUT AFTER INSTALLATION.
  - Soil / Fill Requirements:**
    - 4.1. MINIMUM ALLOWABLE FILL: 4.50'
    - 4.2. MAXIMUM ALLOWABLE FILL: 5.00'



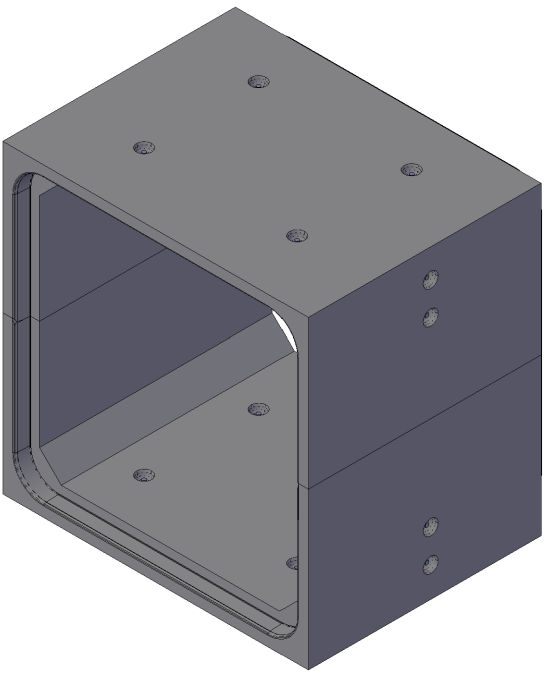
NOTE: Some details not shown for clarity.  
 SCALE: 3/8" = 1'-0" Unless noted otherwise.

STRUCTURE NAME:	CULVERT 2: 8' x 8' x 93' (STA. 50+35)
JOB NAME:	US ROUTE I (WIN 20421.10)
LOCATION:	VAN BUREN, ME
CONTRACTOR:	ME DOT

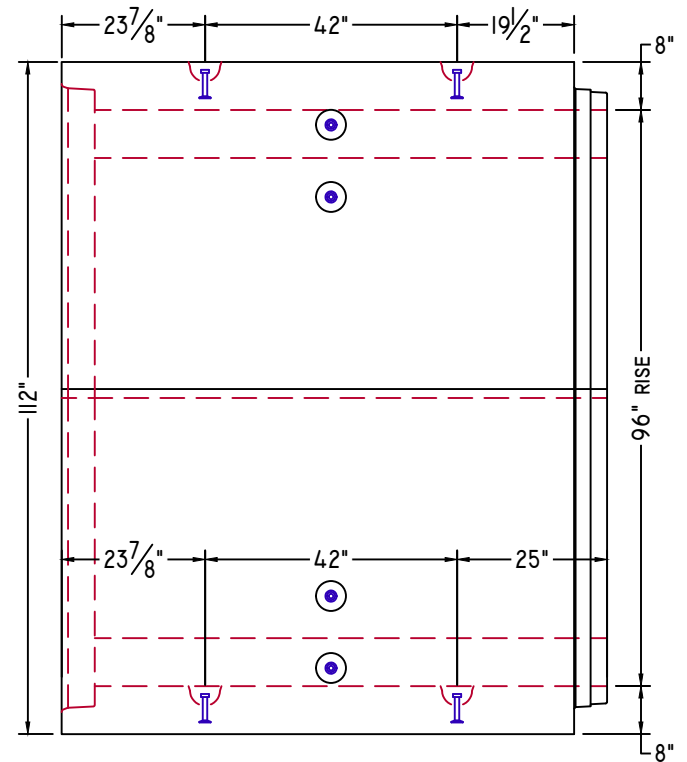
DRAWN BY:	DATE:	C2.2
SSM	01/25/2023	
REV.#:	DATE:	
0.00	01/25/2023	



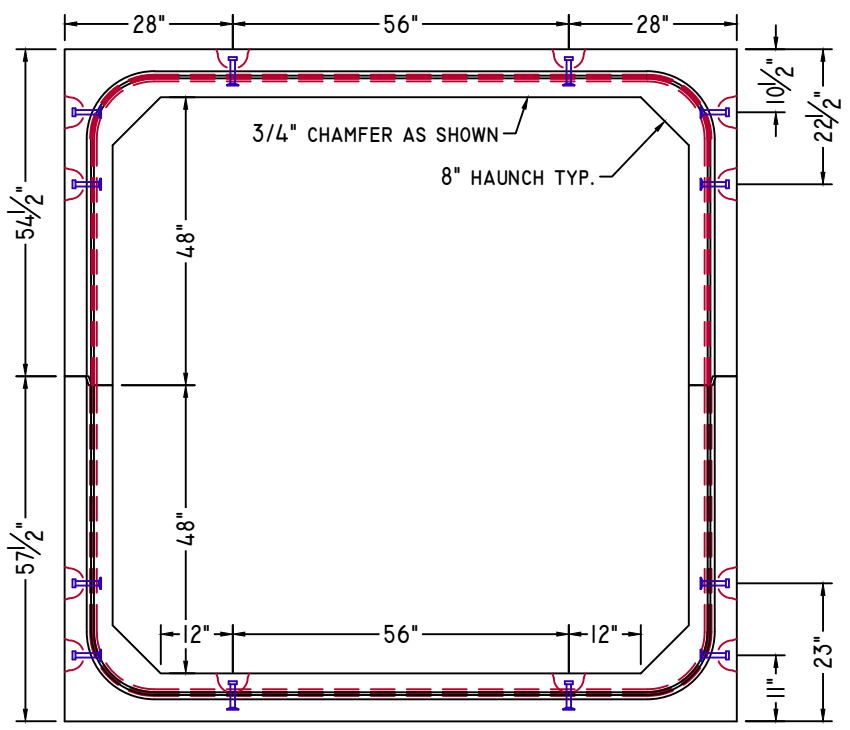
PLAN VIEW



ISOMETRIC VIEW  
NTS



ELEVATION-A



ELEVATION-B

# DOWNSTREAM END

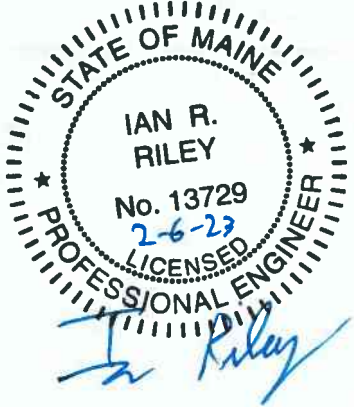


American Concrete Industries  
 1717 STILLWATER AVE. VEAZIE, ME. 04401  
 TEL: 207-947-8334  
 FAX: 207-947-3580  
 WWW.AMERICANCONCRETE.COM

### BILL OF MATERIALS

ITEM	QTY	DESCRIPTION	WEIGHT# EA
5	1	DOWNSTREAM END TOP	12,320
6	1	DOWNSTREAM END BOTTOM	12,485

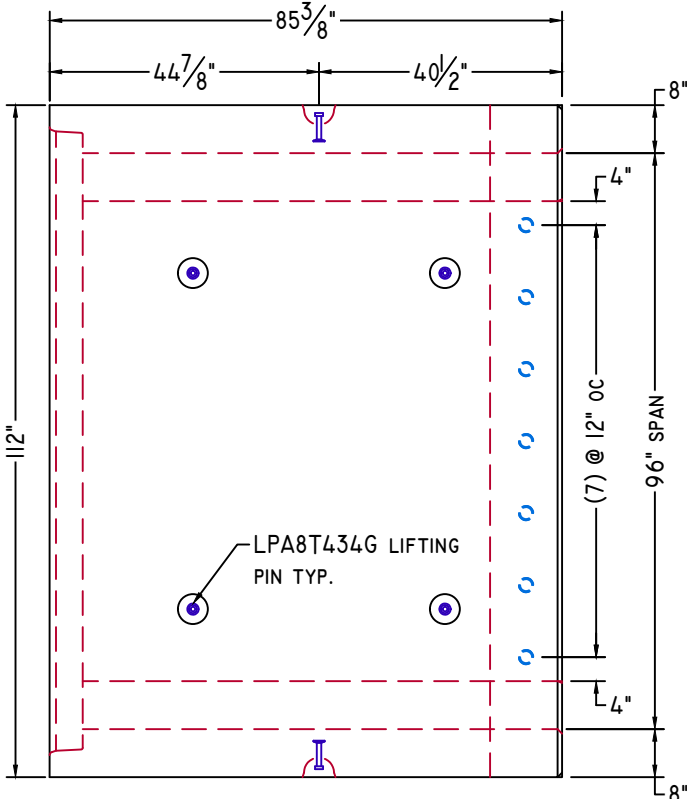
- DESIGN NOTES:
- Concrete**
    - 1.1. COMP. STRENGTH MIN. 5,000PSI @ 28 DAYS
    - 1.2. AIR-ENTRAINMENT: 5.5% MIN - 7.5% MAX
  - Structural Reinforcement:**
    - 2.1. BAR PER ASTM A615, GRADE 60
    - 2.2. WWF PER ASTM A1064, GRADE 75
    - 2.3. SUPPLEMENTAL REINFORCING AS SHOWN (WHEN REQUIRED.)
    - 2.4. DESIGNED FOR 125% HL-93 WHEEL LOAD RATING
    - 2.5. 2" CLR EXT., 1 1/2" CLR INT. UNLESS NOTED OTHERWISE
  - Manufacturing / Installation:**
    - 3.1. JOINTS SEALED WITH BUTYL RUBBER SEALANT.
    - 3.2. ALL JOINTS FILLED W/ NON-SHRINK GROUT AFTER INSTALLATION.
  - Soil / Fill Requirements:**
    - MINIMUM ALLOWABLE FILL: 4.50'
    - MAXIMUM ALLOWABLE FILL: 5.00'



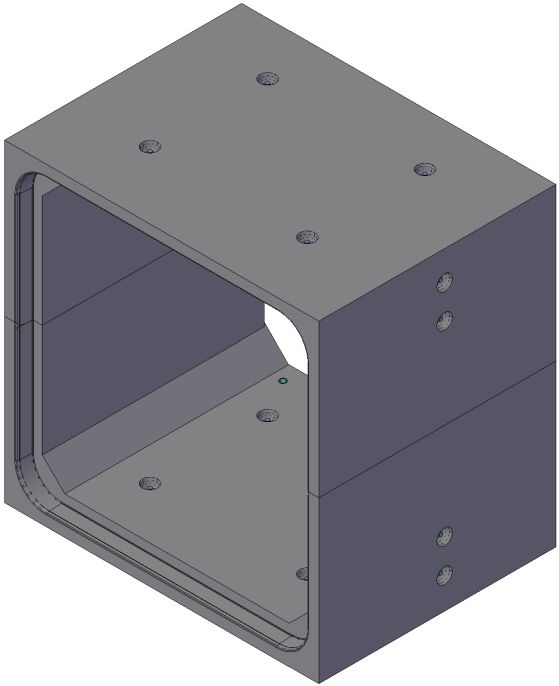
NOTE: Some details not shown for clarity.  
 SCALE: 3/8" = 1'-0" Unless noted otherwise.

STRUCTURE NAME:	CULVERT 2: 8' x 8' x 93' (STA. 50+35)
JOB NAME:	US ROUTE I (WIN 20421.10)
LOCATION:	VAN BUREN, ME
CONTRACTOR:	ME DOT

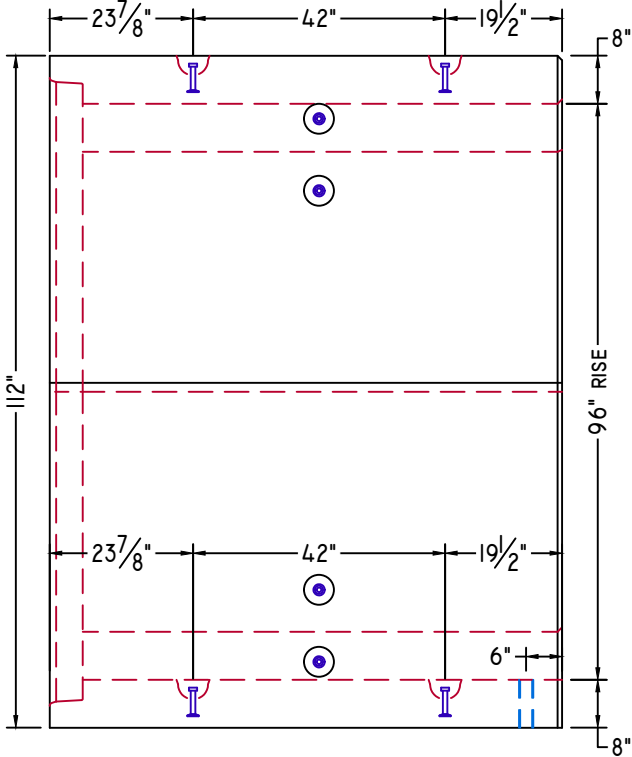
DRAWN BY:	DATE:	C2.3
SSM	01/25/2023	
REV.#:	DATE:	
0.00	01/25/2023	



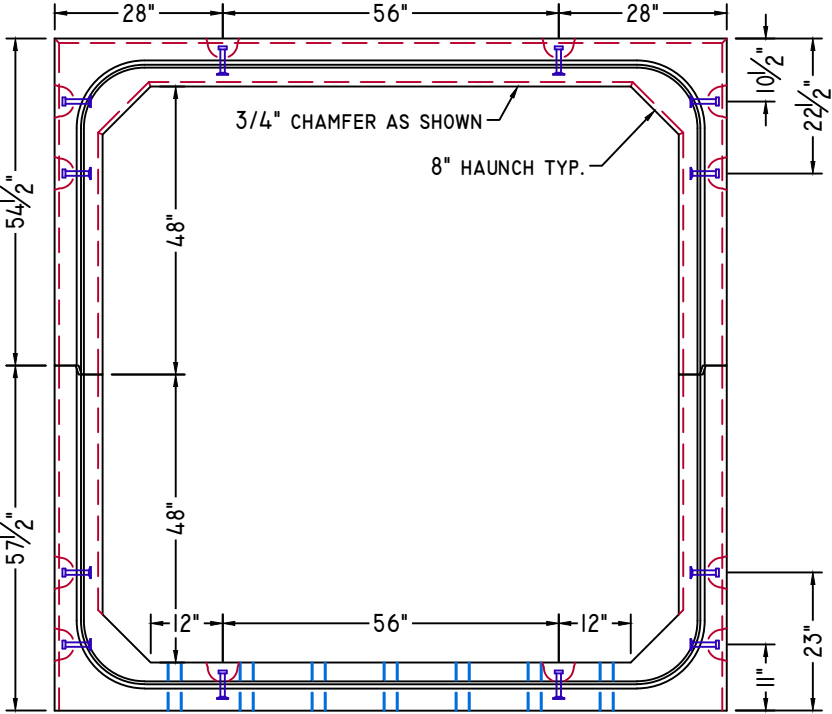
PLAN VIEW



ISOMETRIC VIEW  
NTS



ELEVATION-A



ELEVATION-B

# STANDARD DETAILS



American Concrete Industries

1717 STILLWATER AVE. VEAZIE, ME. 04401

TEL: 207-947-8334

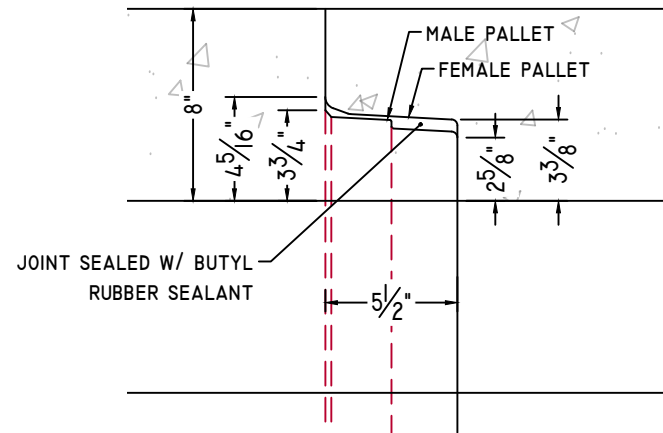
FAX: 207-947-3580

WWW.AMERICANCONCRETE.COM

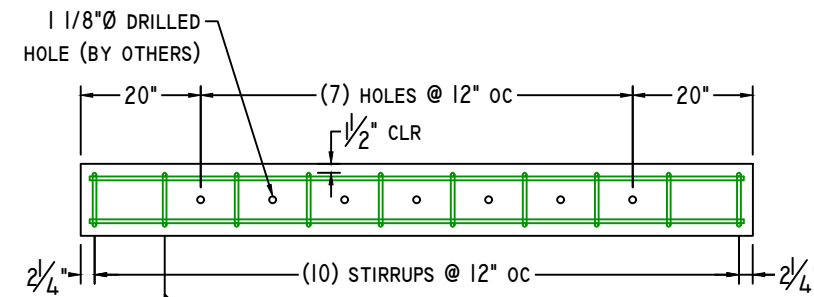
## BILL OF MATERIALS

ITEM	QTY	DESCRIPTION	WEIGHT# EA
------	-----	-------------	------------

INTENTIONALLY LEFT BLANK

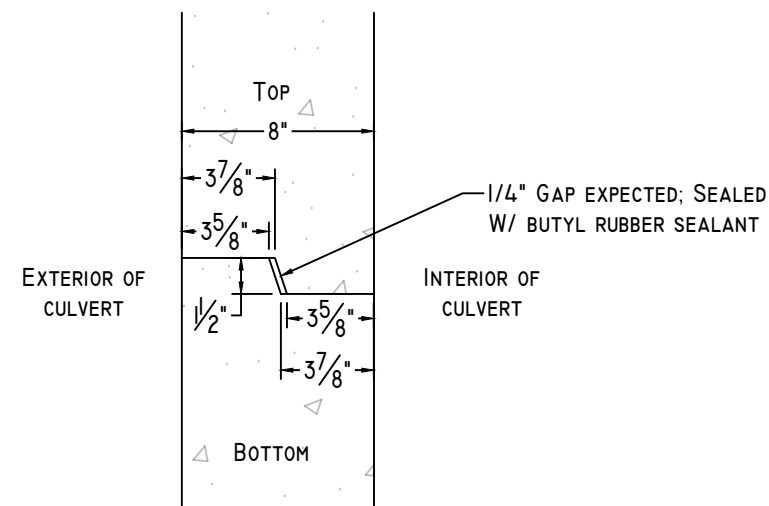


**CULVERT JOINT DETAIL**

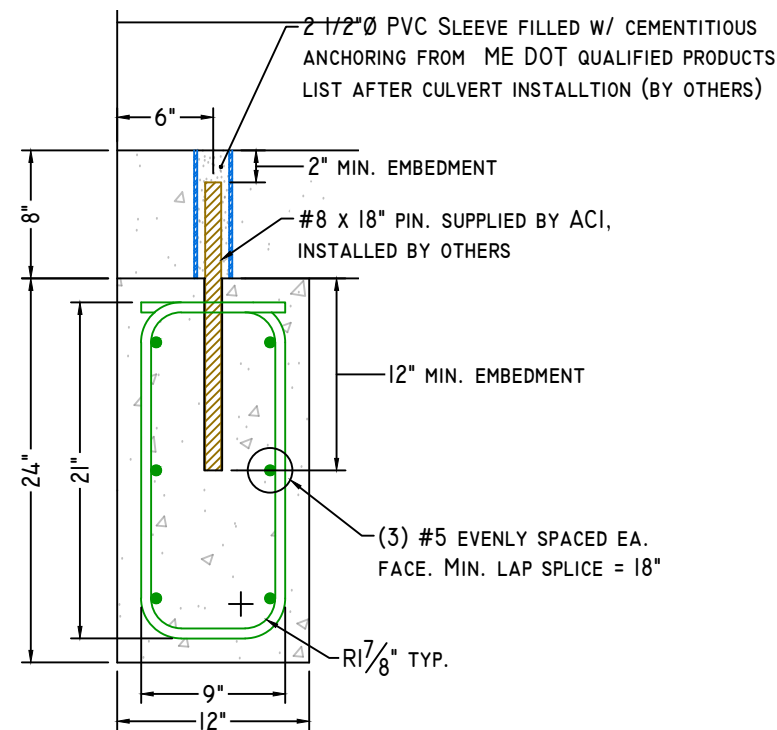


**TOEWALL DETAIL**

3/8" = 1'-0"

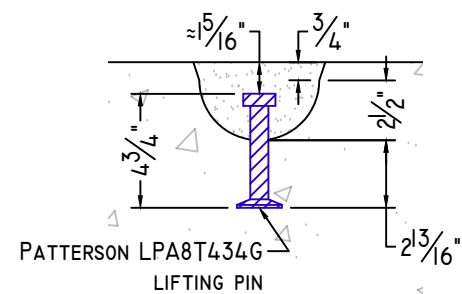


**CLAMSHELL JOINT DETAIL**

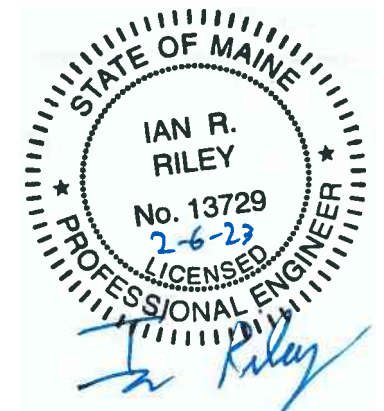


**SECTION-A**

1" = 1'-0"



**8T 4 3/4" LIFTING PIN DETAIL**



NOTE: Some details not shown for clarity.  
SCALE: 1 1/2" = 1'-0" Unless noted otherwise.

STRUCTURE NAME: CULVERT 2: 8' x 8' x 93' (STA. 50+35)	
JOB NAME: US ROUTE I (WIN 20421.10)	
LOCATION: VAN BUREN, ME	
CONTRACTOR: ME DOT	
DRAWN BY: SSM	DATE: 01/25/2023
REV.#: 0.00	DATE: 01/25/2023

D2.0

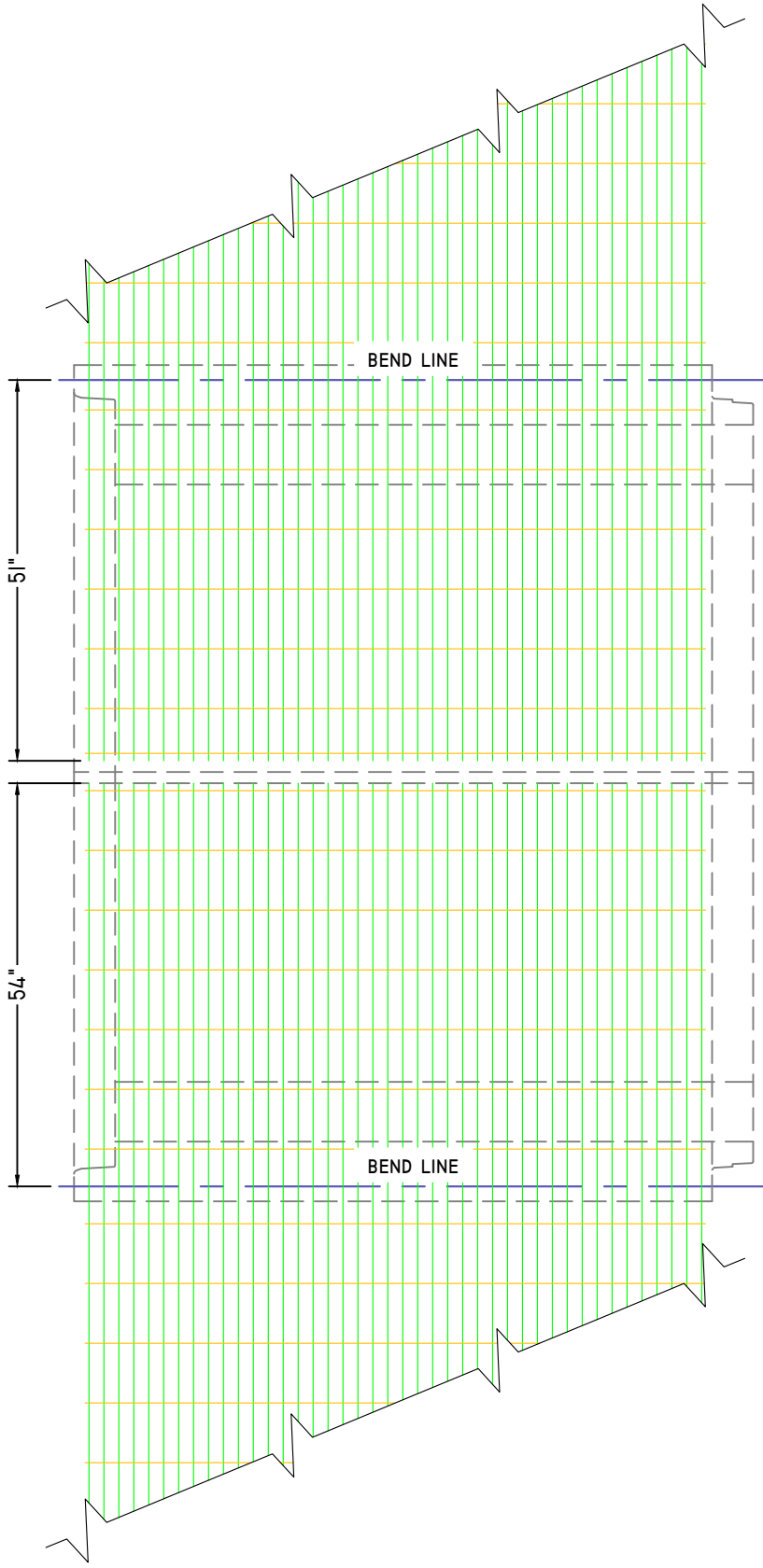
# WELDED WIRE DETAILS



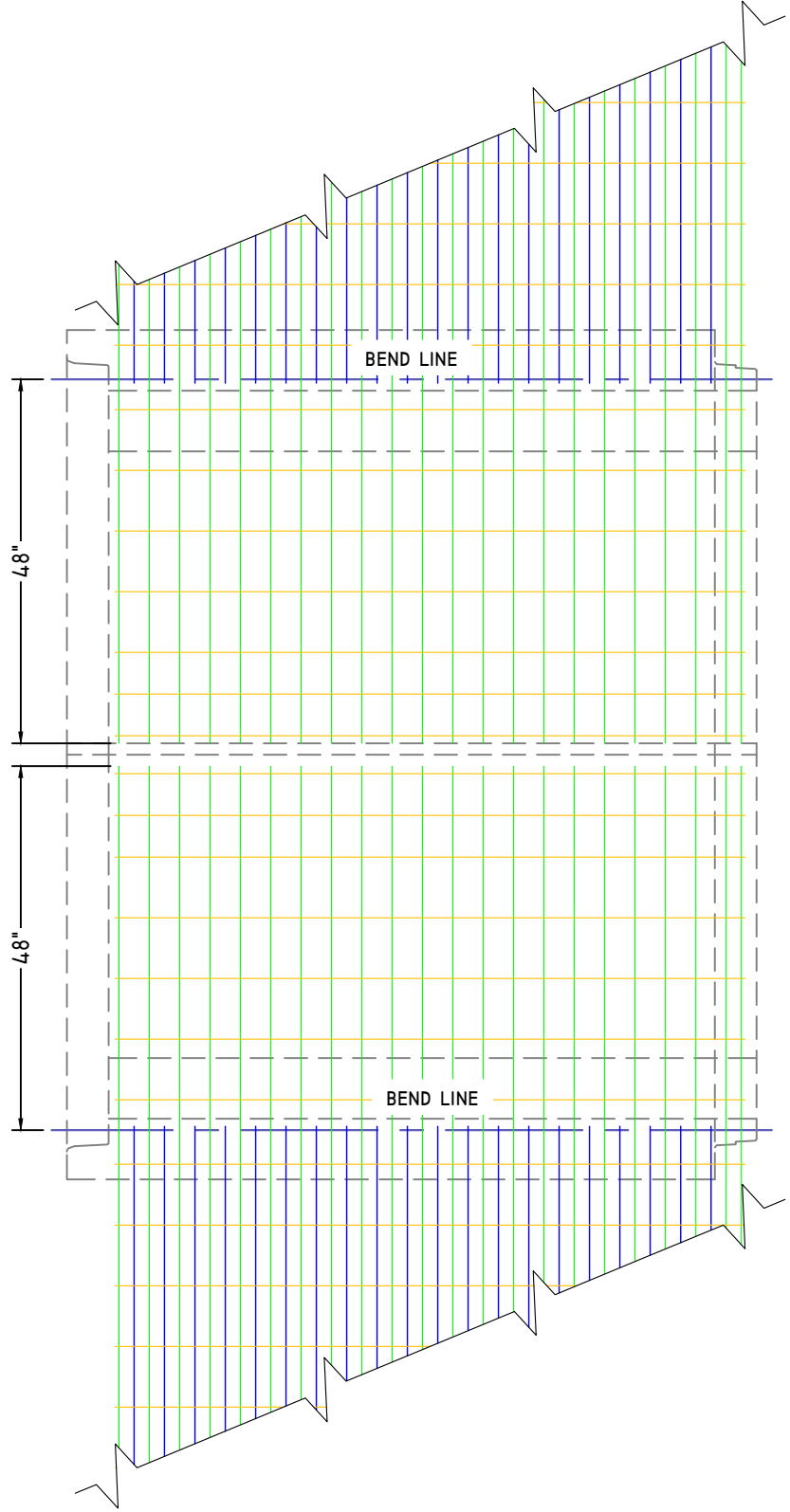
American Concrete Industries  
 1717 STILLWATER AVE. VEAZIE, ME. 04401  
 TEL: 207-947-8334  
 FAX: 207-947-3580  
 WWW.AMERICANCONCRETE.COM

## BILL OF MATERIALS

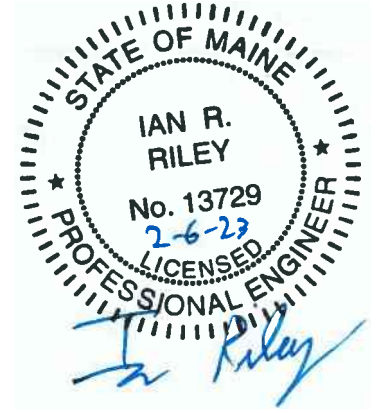
ITEM	QTY	DESCRIPTION	WEIGHT# EA
INTENTIONALLY LEFT BLANK			



TYPICAL EXTERIOR



TYPICAL INTERIOR



NOTE: Some details not shown for clarity.  
 SCALE: 1/2" = 1'-0" Unless noted otherwise.

STRUCTURE NAME:	CULVERT 2: 8' x 8' x 93' (STA. 50+35)
JOB NAME:	US ROUTE 1 (WIN 20421.10)
LOCATION:	VAN BUREN, ME
CONTRACTOR:	ME DOT

DRAWN BY:	DATE:
SSM	01/25/2023
REV.#:	DATE:
0.00	01/25/2023

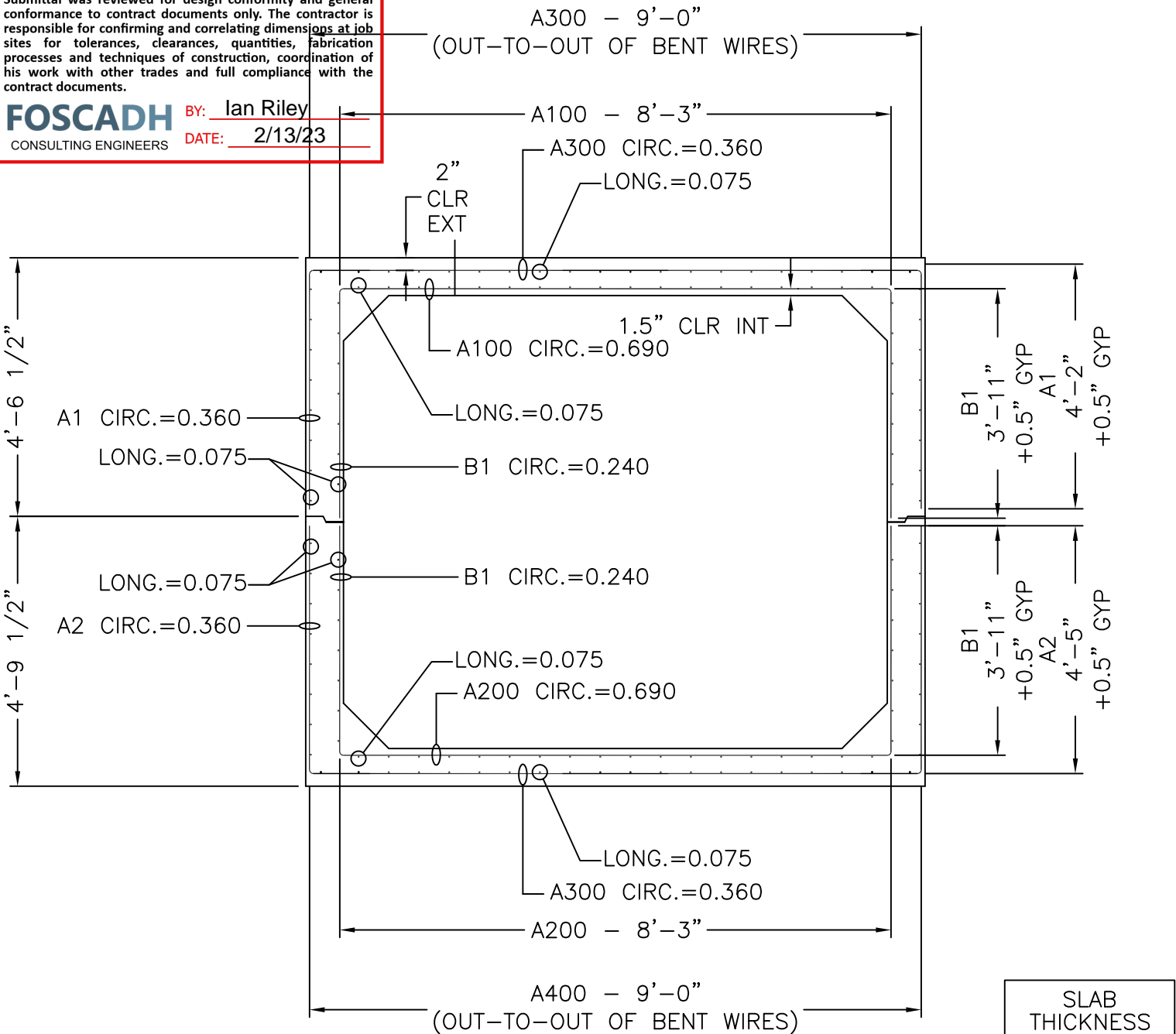
W2.0

**SHOP DRAWING/SUBMITTAL REVIEW**

- APPROVED       APPROVED WITH CHANGES NOTES  
 REVISE AND RESUBMIT       REJECTED: \_\_\_\_\_

Submittal was reviewed for design conformity and general performance to contract documents only. The contractor is responsible for confirming and correlating dimensions at job sites for tolerances, clearances, quantities, fabrication processes and techniques of construction, coordination of his work with other trades and full compliance with the contract documents.

**FOSCADH** BY: Ian Riley  
 CONSULTING ENGINEERS      DATE: 2/13/23



8' x 8' x 7'-1 3/8"

CROSS SECTION WITH AREAS OF STEEL

SLAB THICKNESS	
TOP	8"
BOTTOM	8"
WALLS	8"

MECHANICAL DIMENSIONS			
DIM. 'L'	=	N/A	
DIM. 'M'	=	N/A	
DIM. 'R'	=	N/A	
DIM. 'S'	=	N/A	

CAGE WEIGHT PER 7'-1 3/8" JOINT = 797.5 lbs

BOX SIZE: 8' X 8' X 7'-1 3/8"	ASTM: HL-93	TABLE: 125%	FILL: -
----------------------------------	----------------	----------------	------------



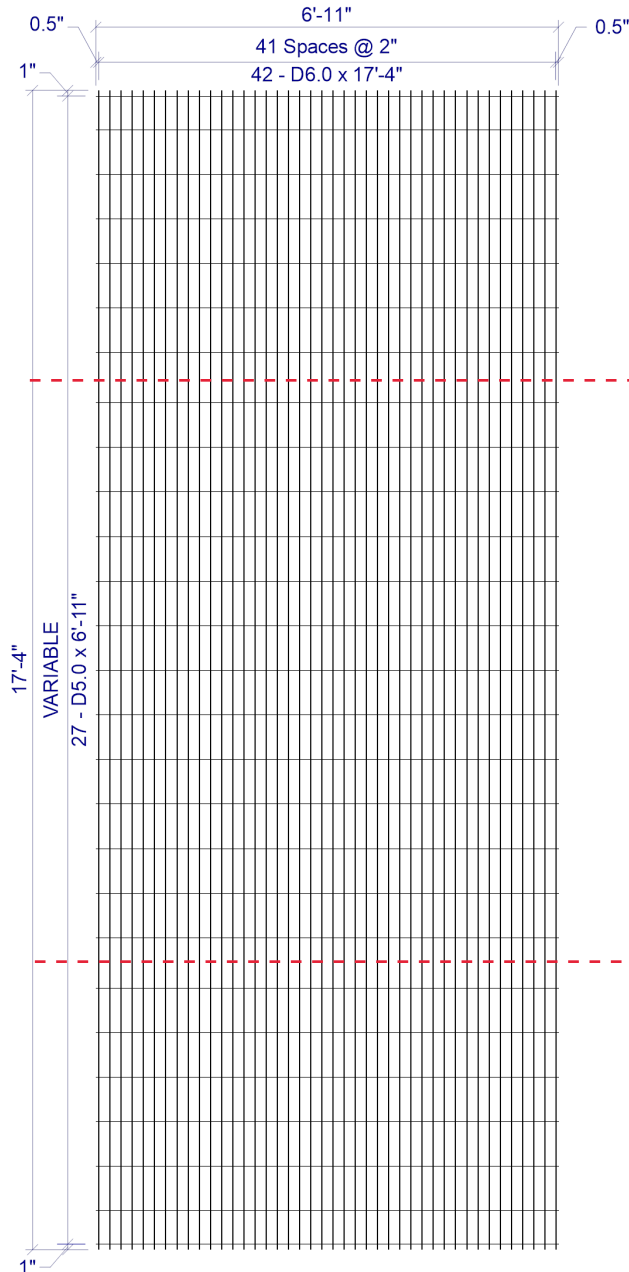
**Concrete Reinforcements, Inc.**  
 3830 Presidents Way  
 Jacksonville, FL 32220  
 PH. 904-520-7100      FAX. 904-520-7101

CUSTOMER: <b>AMERICAN CONCRETE</b>	DRAWN BY: <b>BWA</b>	REVISION: -	SHEET DESCRIPTION: <b>COVER</b>	
PROJECT: <b>8' X 8' X 7'-1 3/8"</b>	DATE: <b>2/3/2023</b>	REVISION DATE: -	FILE NAME: <b>F22-4379</b>	
	CHECKED BY: <b>BWA</b>	SCALE: <b>NTS</b>	PROJECT #: <b>F22-4379</b>	SHEET #: <b>1 OF 4</b>

# SHEET DESIGN



**Concrete Reinforcements, Inc.**  
 3830 Presidents Way • Jacksonville, FL 32220  
 Phone: 904-520-7100 • Fax: 904-520-7101



BEND LINE

BEND LINE

CUSTOMER American Concrete  
 PROJECT F22-4379 - Drawings - 8x8 Van Buren #2 - American - 1-23-2023  
 LOCATION Veazie, ME  
 DATE 01-23-2023 MARK NUMBER A1/A300 (-01)

L.W.SPAC 2"  
 C.W.SPAC VAR  
 L.W.1 SIZE D6.0  
 L.W.2 SIZE N/A  
 C.W.SIZE D5.0  
 WIDTH 6'-11"  
 LENGTH 17'-4"  
 OH.LEFT 0.5"  
 OH.RIGHT 0.5"  
 OH.TOP 1"  
 OH.BOTTOM 1"  
 YIELD 75,000psi  
 BENT -  
 CUT -  
 ROLL -

W I R E S	LINE WIRE 1	LINE WIRE 2	CROSS WIRE
	NO. PER SHEET	42	N/A
SIZE	D6.0	N/A	D5.0
LENGTH	17'-4"	-	6'-11"
W.T./SHEET			
SHEET W.T.	180.30#		
QUANTITY	13		
SUB TOTAL WEIGHT			
TOTAL WEIGHT			
S.F./SHEET			
LBS/CSF			
Ast/LF			
ST.DENSITY			

SPECIAL REMARKS:  
 BEND DIMS: SLAB=108", WALLS=50" (+0.5" GYP)

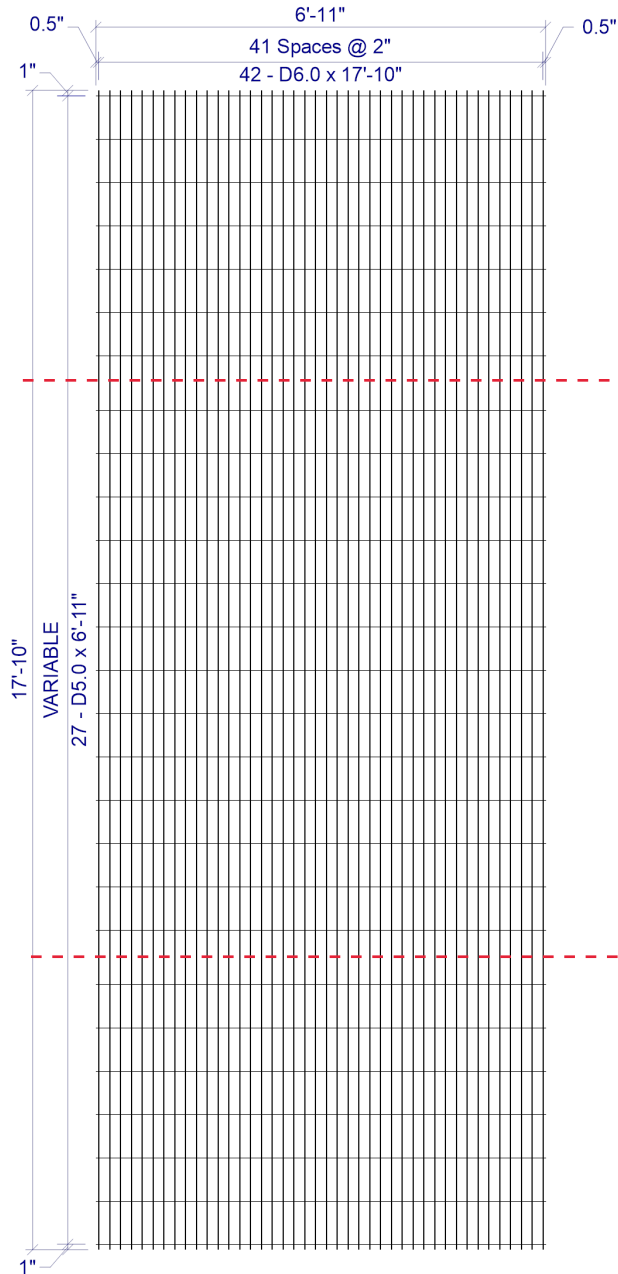
**2 x VAR D6.0 / D5.0 (GRADE 75) 82(+0.5, +0.5) x 17'-4" (1, 1)**  
 VAR = 1" OH, 1@6", 5@8", 1@9", 12@8", 1@9", 5@8", 1@6", 1" OH

APPROVED \_\_\_\_\_

# SHEET DESIGN



**Concrete Reinforcements, Inc.**  
 3830 Presidents Way • Jacksonville, FL 32220  
 Phone: 904-520-7100 • Fax: 904-520-7101



BEND LINE

BEND LINE

**2 x VAR D6.0 / D5.0 (GRADE 75) 82(+0.5, +0.5) x 17'-10" (1, 1)**  
 VAR = 1" OH, 6@8", 1@10", 12@8", 1@10", 6@8", 1" OH

CUSTOMER American Concrete  
 PROJECT F22-4379 - Drawings - 8x8 Van Buren #2 - American - 1-23-2023  
 LOCATION Veazie, ME  
 DATE 01-23-2023 MARK NUMBER A2/A400 (-02)

L.W.SPAC 2"  
 C.W.SPAC VAR  
 L.W.1 SIZE D6.0  
 L.W.2 SIZE N/A  
 C.W.SIZE D5.0  
 WIDTH 6'-11"  
 LENGTH 17'-10"  
 OH.LEFT 0.5"  
 OH.RIGHT 0.5"  
 OH.TOP 1"  
 OH.BOTTOM 1"  
 YIELD 75,000psi  
 BENT -  
 CUT -  
 ROLL -

W I R E S	LINE WIRE 1	LINE WIRE 2	CROSS WIRE
	NO. PER SHEET	42	N/A
SIZE	D6.0	N/A	D5.0
LENGTH	17'-10"	-	6'-11"
W.T./SHEET			
SHEET W.T.	184.60#		
QUANTITY	13		
SUB TOTAL WEIGHT			
TOTAL WEIGHT			
S.F./SHEET			
LBS/CSF			
Ast/LF			
ST.DENSITY			

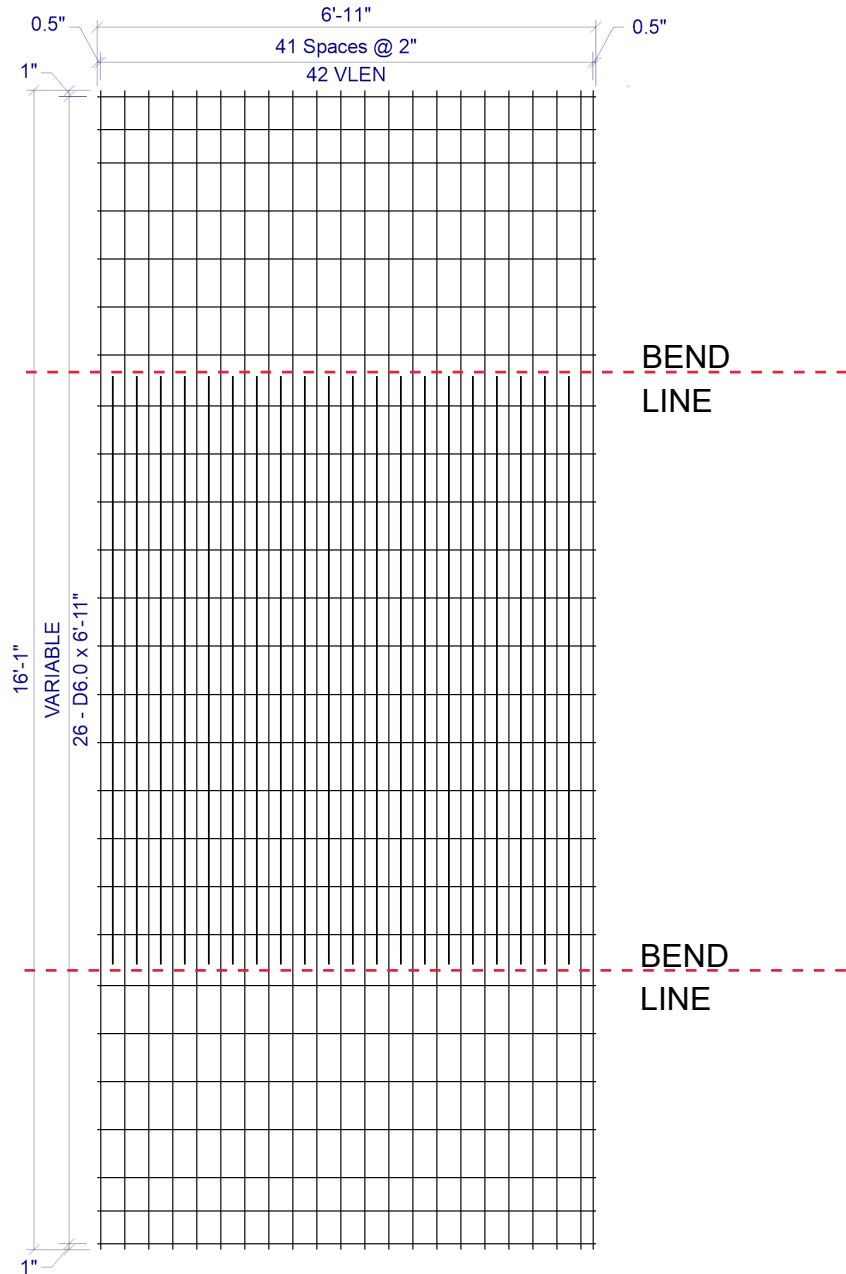
SPECIAL REMARKS:  
 BEND DIMS: SLAB=108", WALLS=53" (+0.5" GYP)

APPROVED \_\_\_\_\_

# SHEET DESIGN



**Concrete Reinforcements, Inc.**  
 3830 Presidents Way • Jacksonville, FL 32220  
 Phone: 904-520-7100 • Fax: 904-520-7101



CUSTOMER American Concrete  
 PROJECT F22-4379 - Drawings - 8x8 Van Buren #2 - American - 1-23-2023  
 LOCATION Veazie, ME  
 DATE 01-23-2023 MARK NUMBER B1/A100/A200 (-03)

L.W.SPACE 2"  
 C.W.SPACE VAR  
 L.W.1 SIZE D8.0  
 L.W.2 SIZE D15.0  
 C.W.SIZE D6.0  
 WIDTH 6'-11"  
 LENGTH 16'-1"  
 OH.LEFT 0.5"  
 OH.RIGHT 0.5"  
 OH.TOP 1"  
 OH.BOTTOM 1"  
 YIELD 75,000psi  
 BENT -  
 CUT -  
 ROLL -

W I R E S	LINE WIRE 1	LINE WIRE 2	CROSS WIRE
	NO. PER SHEET	22	20
SIZE	D8.0	D15.0	D6.0
LENGTH	16'-1"	8'-2"	6'-11"
W.T./SHEET			
SHEET W.T.	216.30#		
QUANTITY	26		
SUB TOTAL WEIGHT			
TOTAL WEIGHT			
S.F./SHEET			
LBS/CSF			
Ast/LF			
ST.DENSITY			

SPECIAL REMARKS:  
 BEND DIMS: SLAB=99", WALLS=47" (+0.5" GYP)

**2 x VAR D8.0 / D15.0 / D6.0 (GRADE 75) 82"(+0.5", +0.5") x VLEN(1", 1")**  
 VLEN = ALTERNATING LENGTH 8'-2" & 16'-1" WITH 16'-1" @ LHS & RHS  
 VAR = 1" OH, 2@5.5", 4@8", 1@8.5", 11@8", 1@8.5", 4@8", 2@5.5", 1" OH

APPROVED \_\_\_\_\_