

STANDARD LEASE APPLICATION: NON-DISCHARGE

1. APPLICANT CONTACT INFORMATION

Applicant	Goose Island Oysters LLC		
Contact Person	Angel Wilson		
Address	P.O. Box 10304		
City	Portland		
State, Zip	ME 04104		
County	Cumberland		
Telephone	207-415-9388		
Email	angel@runningtide.com		
Type of Application	<input checked="" type="checkbox"/> Draft Application [submitted before scoping session]		<input checked="" type="checkbox"/> Final Application [submitted after scoping session]
Dates	Pre-Application Meeting: 5/24/22	Draft Application Submitted: 6/21/2022	Scoping Session: 9/13/2022
Payment Type	Draft Application: <input type="checkbox"/> Check (included) <input type="checkbox"/> Credit Card		Final Application: <input type="checkbox"/> Check (included) <input checked="" type="checkbox"/> Credit Card

Note: The email address you list here will be the primary means by which we will contact you. Please provide an email address that is checked regularly. If you do not use email, please leave this blank.

2. PROPOSED LEASE SITE INFORMATION

Location of Proposed Lease Site	
Town	Harpswell
Waterbody	Middle Bay
General Description (e.g. south of B Island)	West of Upper Goose Island
Lease Information	
Total acreage requested (100-acre maximum)	10.4 acres
Lease term requested (20-year maximum)	20 Years
Type of culture (check all that apply)	<input type="checkbox"/> Bottom (no gear) <input checked="" type="checkbox"/> Suspended (gear in the water and/or on the bottom)
Is any portion of the proposed lease site above mean low water?	<input type="checkbox"/> Yes <input checked="" type="checkbox"/> No

Note: If you selected yes, you need to complete the steps outlined in the section titled: "19. Landowner/Municipal Permission Requirements".

3. GROWING AREA DESIGNATION

Directions: Information for growing area designations can be found here:

<https://www.maine.gov/dmr/shellfish-sanitation-management/closures/index.html>

Growing Area Designation (e.g. WL):	WJ
Growing Area Section (e.g. "A1"):	

Note: If you are proposing to grow molluscan shellfish in waters classified as anything other than open/approved, you will need to contact the Bureau of Public Health to discuss your plans at the following email: DMRPublicHealthDiv@maine.gov

4. SPECIES INFORMATION

A. Please complete the table below and add additional rows as needed.

Name of species to be cultivated (include both common and scientific names):	Name and address of the source of seed stock or juveniles	Maximum number (or biomass) of organisms you anticipate on the site at any given time
1. Sugar Kelp-Laminaria Saccharina Skinny kelp- Saccharina Latissima	Wild within Maine Waters	5,000 feet maximum of seeded line to include all kelp species listed.
2. Winged Kelp-Alaria esculenta Surf Clams-Spisula solidissima	Wild within Maine Waters	5,000,000
3. American oysters- Crassostea virginica	Running Tide P.O. Box 10304 Portland, ME 04101	5,000,000
4. Soft-shelled clams Mya arenia	Running Tide P.O. Box 10304 Portland, ME 04104	5,000,000
Hard Clams-		5,000,000
5. Mercenaria mercnaria 6.Sea scallops Placopecten magellanicus	Running Tide P.O. Box 10304 Portland, ME 04104 Wild Spat -Scallop	5,000,000

B. Do you intend to possess, transport, or sell whole or roe-on scallops? Yes No

If you answered "yes" please contact the Bureau of Public Health to discuss your plans at the following email: DMRPublicHealthDiv@maine.gov

Note: If you are proposing to grow molluscan shellfish, this application also serves as your written operational plan as required in the National Shellfish Sanitation Program (NSSP) Model Ordinance Chapter 2 and must be maintained in your files. If you wish to submit an operational plan separate from this application, please contact: DMRPublicHealthDiv@maine.gov

5. VICINITY MAP

Note: Please label as: ‘Vicinity Map’.

Directions: Using a NOAA Chart or USGS topographic map, show the area within a minimum of one-half mile of the proposed lease site.

The map needs to display the following:

- The waters, shore lands, and lines of mean high and mean low water within the general area of the lease
- An arrow indicating true north
- A scale bar
- The approximate lease boundaries

6. BOUNDARY DRAWING

Note: Please label as: ‘Boundary Drawing’.

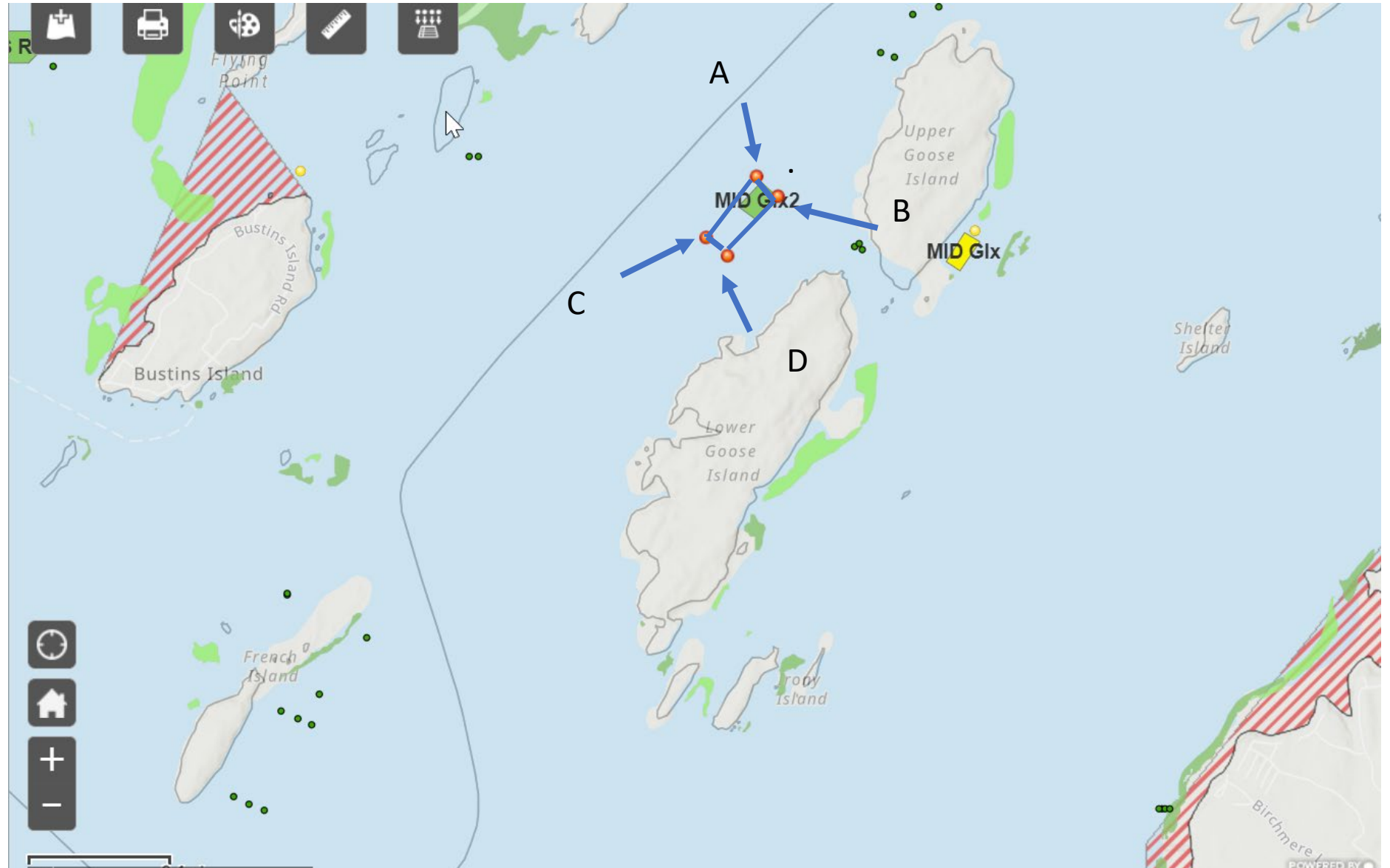
Directions: Depict the boundaries of the proposed lease site. Provide a drawing with all corners, directions, and distances labeled. Provide coordinates for each corner as follows:

- Coordinate Description
Provide geographic coordinates for each corner of the lease site in latitude and longitude as accurately as possible (e.g., to the nearest second or fraction of a second). Identify the datum from the map, chart, or GPS unit used to develop these coordinates. The datum will be shown on the map or chart you are using. The Coordinate Description may be provided separately from the Boundary Drawing.

Boundary Drawing

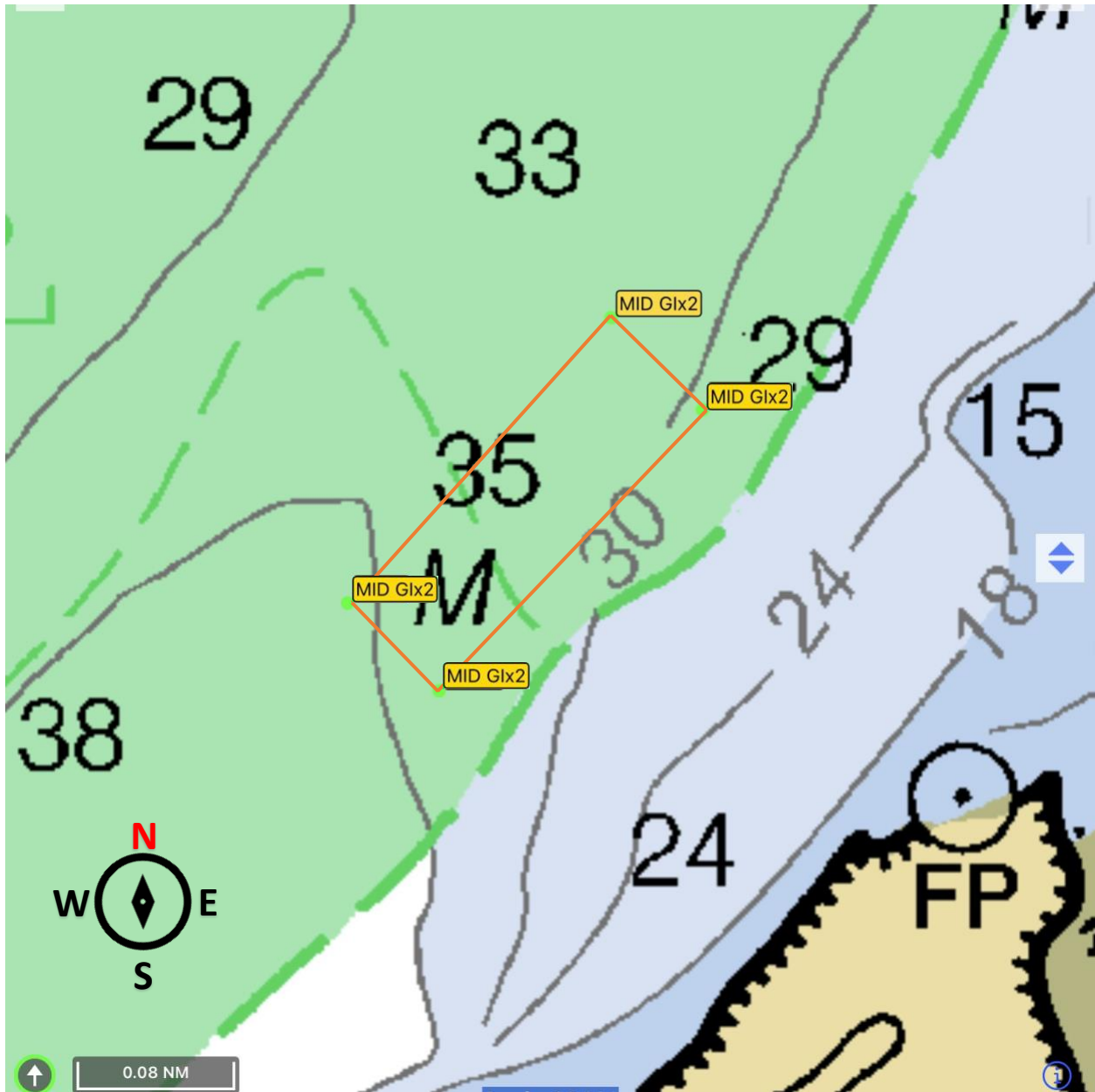
A: 43.80502 -70.0412
B: 43.80431 -70.0402
C: 43.80186 -70.0436
D: 43.80256 -70.0445

A to C=1249.88 ft.
A to B=369.59 ft.
B to D=1265.85 ft.
C to D=348.56 ft.



G.I. Vicinity Map

NOAA Chart 13290_1 Casco Bay



B. Maximum Structure and Mooring System Schematic

Directions: Include drawings of your maximum gear layout. Include units referenced (i.e. 10in, 10ft, etc.).

1. Overhead View. Please include the following and label as “Overhead View”:
 - Maximum layout of gear, including moorings.
 - Length and width of project.
 - Approximate spacing between gear.
 - Lease boundaries and the location of proposed corner markers and any additional gear markers that would be present.

2. Cross-Section View. Please include the following and label as “Cross-Section View”:
 - The sea bottom.
 - Profile of gear in cross-section as it will be deployed.
 - Label gear with dimensions and materials.
 - Show mooring gear with mooring type, scope, hardware, and line type and size.
 - Depth of gear in relation to the water’s surface at mean low water and mean high water (if applicable).

Note: Please include an additional Cross Section View, depicting the elements listed above, if there will be seasonal changes to gear layout (i.e. over wintering).

C. On-Site Support Structures

1. Describe structures such as barges, sheds, etc., to be located on-site. Provide a schematic and indicate the dimensions, including height above sea level, materials, etc.

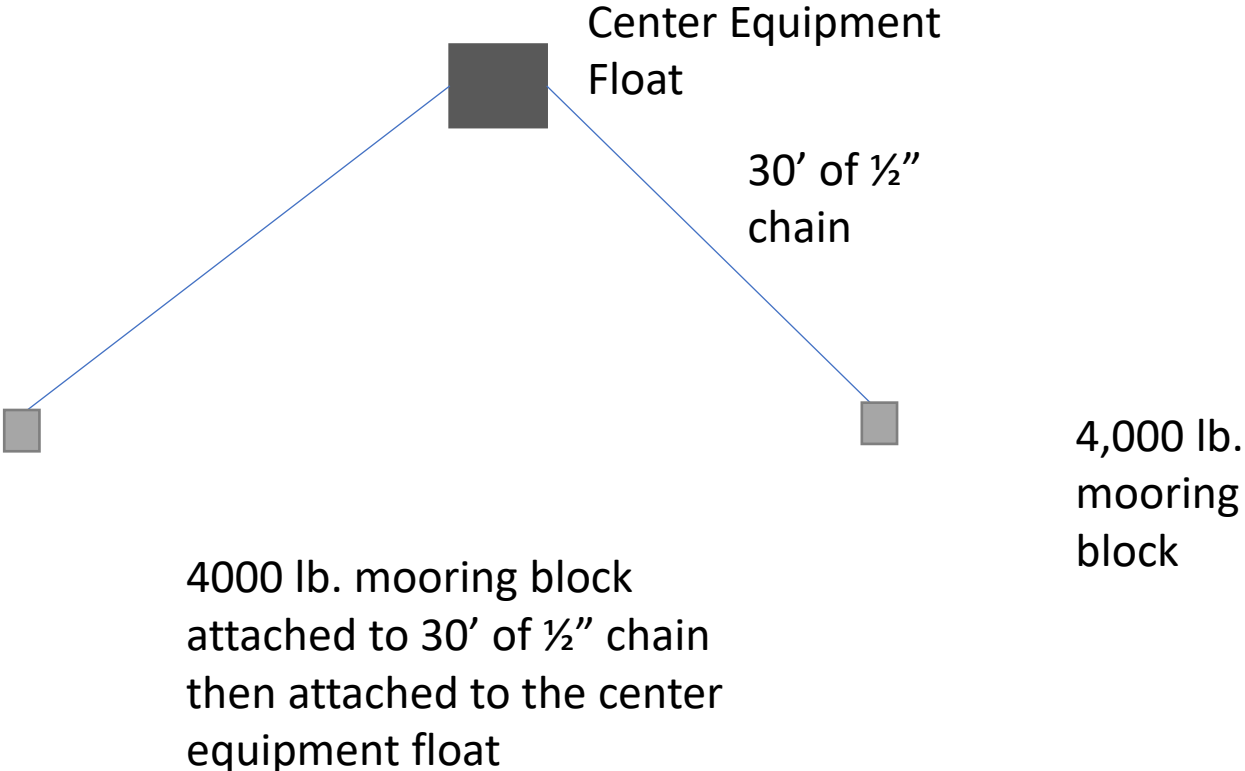
There will be an enclosed equipment float in the center of the site, schematic provided. It is 10' x 10' 1" and 13.5' tall, sitting approximately 7 feet above the water line. This is currently on the experimental lease site. Buoy is powered by a diesel Northern Lights generator and provides power to the reefs. Made primarily of steel. It holds 135 gallons of diesel fuel.

2. Describe the storage and use of oil, gasoline, or other hazardous materials on site. If petroleum products are to be stored on site, provide a spill prevention plan.

The diesel tank inside the center equipment float is fueled by one of our vessels when it goes on site. Refueled 2x per week on average. The diesel tanks for the generator that run the grading vessel will be kept inside of the vessel. Will be kept in closed sealed containers to eliminate potential spills. We will be using a dedicated bunkering system for refueling. The grading vessel will be filled with fuel before being moved onto the proposed site to eliminate the need for frequent refueling. That is the reasoning behind the

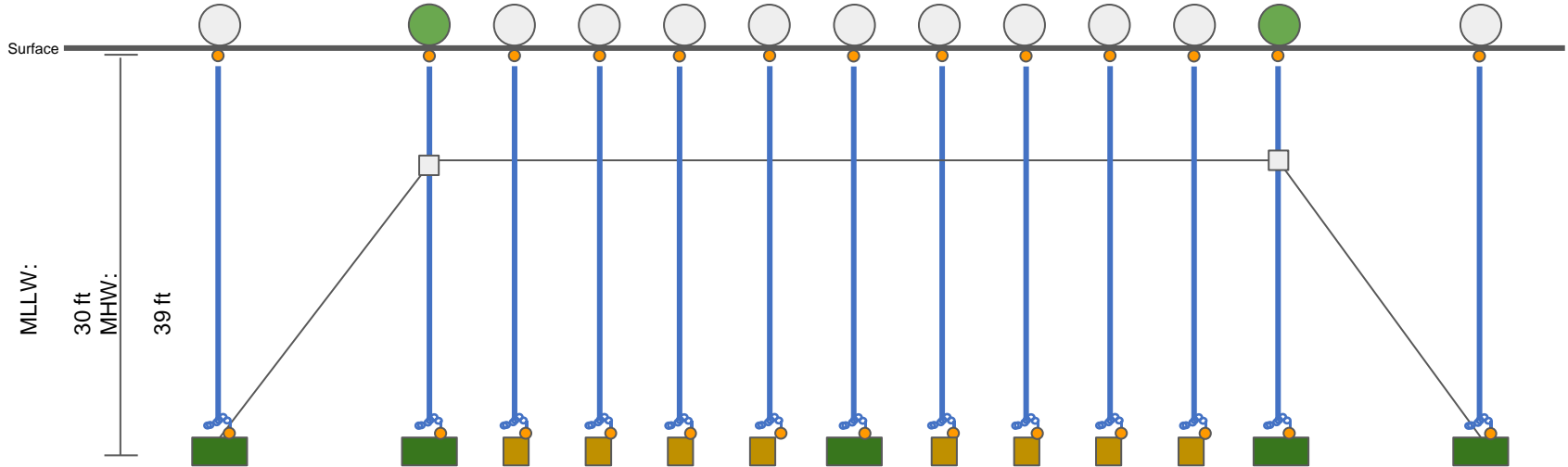
amount of fuel stored on site, in the grading vessel. Maximum amount ever on site is 635 gallons. The grading vessel holds a total of 500 gallons and the equipment buoy holds 135 gallons. Spill prevention plan is attached.

Cross Section View of Center Equipment float with mooring



Horizontal Kelp Farm Cross-Sectional View

Gear shows one horizontal kelp farm. Drawing depiction enhanced for easier viewing. Each anchor, both mushroom and mooring blocks will have 10' of standard Coast Guard chain from the anchor. The blue vertical lines shown are cotton line, $\frac{3}{8}$ " in thickness at 47' in length. The orange circles indicate swivels and easy break attachments. Horizontal lengths of cotton line at the same thickness vary and are indicated on the diagram. The two grey square represent gear to maintain tension horizontally across the line.



Anchor: 1200 lbs Mooring Block



Buoy: A1 polyform



Anchor: 50 lbs Mushroom



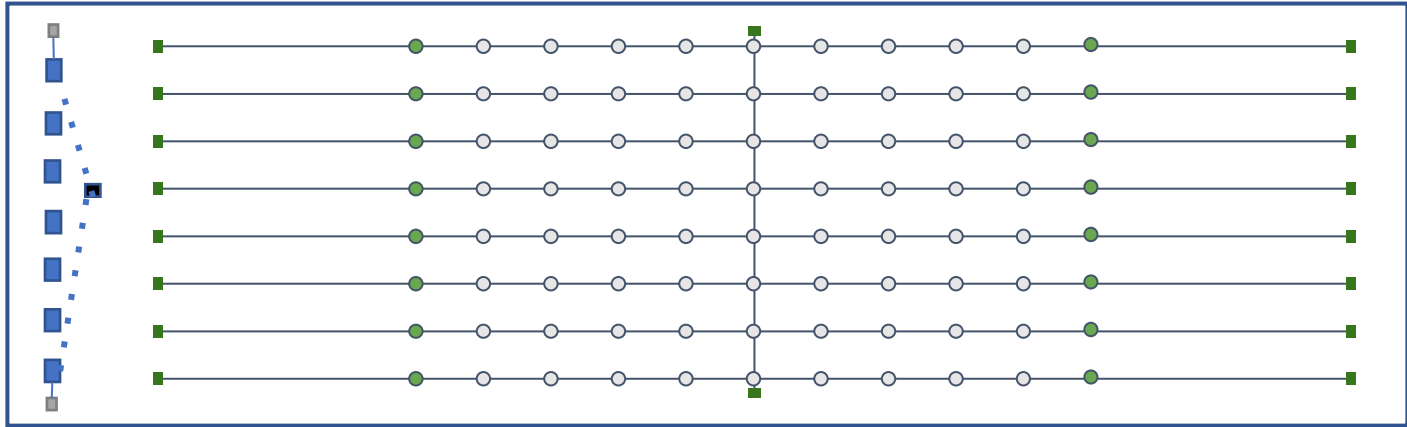
Buoy: A4 polyform

The horizontal line will be 7' from the surface of the water, 23' ft from the seafloor at MLW, and 32' from the seafloor at MHW. This line will be a cotton line at $\frac{3}{8}$ " thickness at 600' in length, seeded with macroalgae. The tension line, here presented as a diagonal line attached to the 1200 lb mooring anchors is 230' in length, and is a non-seeded extension of the main 600' kelp line. The entire gear arrangement takes 1060' from end to end.

OVERHEAD VIEW SHOWING SURFACE GEAR, MOORINGS, AND UMBILICALS




348.56 ft.

There will be a Nursery Grading Vessel (NGV) that straddles the upwellers. NGV is 18' x 45', detailed schematic attached.






369.6 ft.

1265.85 ft.

-  4000 lb. mooring block attached to 30' of ½" chain
-  Upwellers 38'L x 11' W x 6' D
-  Enclosed equipment float 10' L x 10.1W' x 13.5'D

There is a 5' space between each upweller where they are connected by a bridle. There is 35 feet on each end of the row of upwellers between the upweller and the lease boundary line.

The dashed line running from the center buoy to the row of upwellers are upweller umbilicals. They are run along the substrate. The umbilicals provide power to the upwellers from the enclosed equipment float in the center of the site. The umbilicals consist of three-phase wire that is sheathed in a liquid tight conduit to protect from chafing. The umbilicals rest on the ocean floor and rise up to the surface at the connection points (at upweller and at power buoy). They are not a hazard to recreational boats/ kayaks that may pass through the lease.

-  1200 lb. mooring block attached to 47' of ¾" of cotton line, attached to an A1 polyform buoy
-  A4 polyform buoy
-  A1 polyform buoy

Horizontal Lines: There is a 40' space separating each horizontal row, including the long side perimeter. There is a 50' space separating the horizontal rows from the short side perimeter. A 60' space exists between polyform buoy along the horizontal rows. A 230' space exists between A4 polymer buoys and the 1200 lb mooring. The vertical line running through the horizontal farms is to help stabilize the farms and prevent them from running into each other. The line is ¾" cotton line attached to an a 1200 mooring.

**OVERHEAD VIEW SHOWING SURFACE GEAR,
MOORINGS, AND UMBILICALS May through
October**

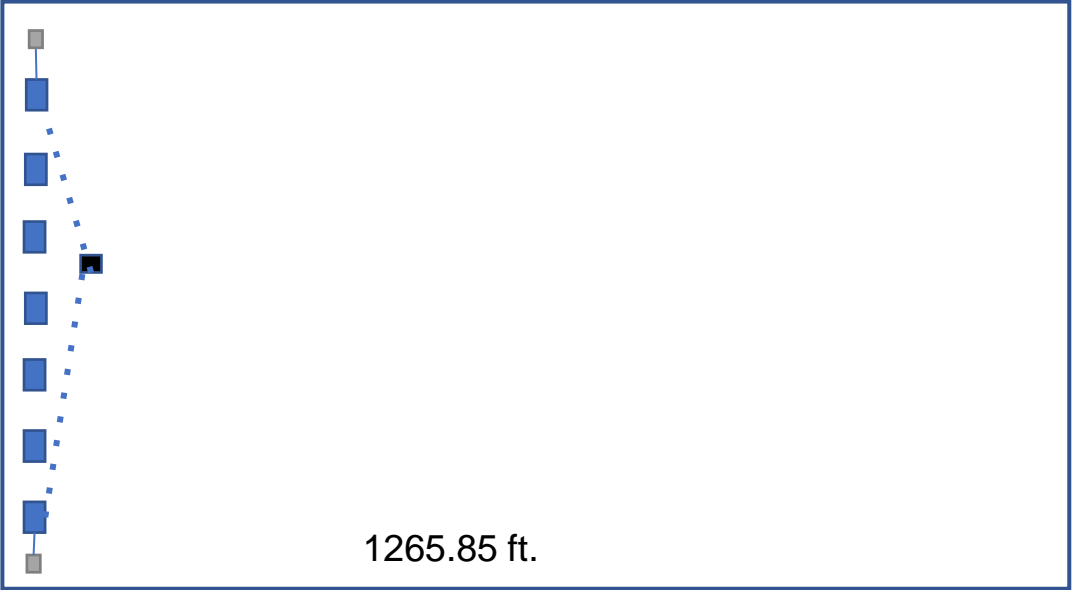
There will be a Nursery Grading Vessel(NGV) that straddles the upwellers NGV is 18' x 45', detailed schematic attached.

1249.88 ft.

348.56 ft.

369.59 ft.

1265.85 ft.



- 4000 lb. mooring block attached to 30' of ½" chain
- Upwellers 38'L x 11' W x 6' D
- Enclosed equipment float 10' L x 10.1W' x 13.5'D

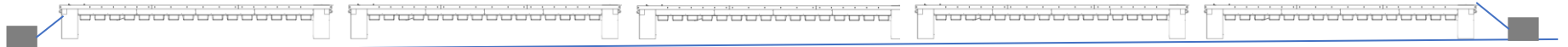
There is a 5' space between each upweller where they are connected by a bridle. There is 35 feet on each end of the row of upwellers between the upweller and the lease boundary line.

The dashed line running from the center buoy to the row of upwellers are upweller umbilicals. They are run along the substrate. The umbilicals provide power to the upwellers from the enclosed equipment float in the center of the site. The umbilicals consist of three-phase wire that is sheathed in a liquid tight conduit to protect from chafing. The umbilicals rest on the ocean floor and rise up to the surface at the connection points (at upweller and at power buoy). They are not a hazard to recreational boats/ kayaks that may pass through the lease.

Cross Section View of Upwellers over winter

Sea

Surface



Sea Bottom

■ Mooring Block

MHW 39'

MLW 30'

Cross Section View Upweller Gear

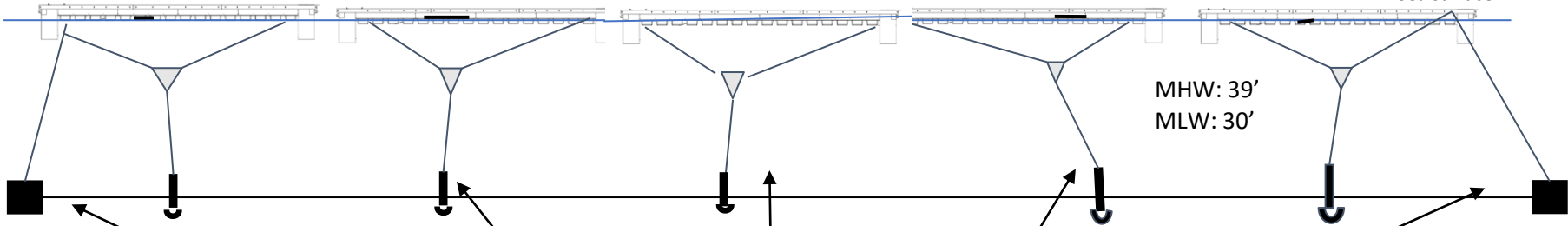
Gear shows row of 5 upwellers, there will be a total of 7 upwellers. Drawing depiction enhanced for easier viewing.

Each anchor, both mushroom and mooring blocks will have 10' of standard Coast Guard chain from the anchor and an additional 30' of ½" chain from the Coast Guard chain to the upwellers. Upwellers would be dropped to bottom in extreme weather events. They would be dropped directly in place to the bottom temporarily.

Aluminum Upwellers

Sea surface

MHW: 39'
MLW: 30'



100lb. Mushroom anchor w/ 10' coast guard chain, connected to ¾" shackle, then 30' of ½" chain, then 5/8" quick connect, then to bridles to each upweller

100lb Mushroom Anchors

4,000lb mooring blocks

There are two sets of the bridles to anchors each upweller, one shown as its a cross section side view, identical set up on each side of each upweller.

7. SITE DEVELOPMENT

Directions: If your operations require the use of cages, nets, ropes, trays, or any object (structure) other than the organism to be grown directly on the bottom or buoys to mark the corners of the lease site, you must submit gear drawings and maximum structure schematics (information below). This section is intended to provide accurate plans depicting the physical structures to be placed in the proposed area. All dimensions need to be labeled with the appropriate units (i.e. 10ft, 10in). If you are proposing a bottom lease (no gear), please skip to question “F. Marking”.

Note: You may embed the schematics within the document or attach them to the end of your application. If you attach the schematics, please label them according to the instructions provided below.

A. Gear Information

Directions: Include a drawing of an individual piece of gear for each of the gear type(s) you plan to use. Include units referenced (i.e. 10in, 10ft, etc.).

1. **Gear Drawing:** Please include the following for each gear type that will hold organisms to be cultured (e.g. polar circles, marine algae longlines, oyster cages) and label as “Gear Drawing”. This view must show the following:
 - Length, width, and height of each gear type.
2. **Gear Table:** List and describe each individual gear type that you will use in the table below. (e.g. polar circles, marine algae longline, oyster cages, moorings, mooring lines, buoys, etc.).

Specific Gear Type <i>(e.g. soft mesh bag)</i>	Dimensions <i>(e.g. 16"x20"x2")</i>	Time of year gear will be deployed <i>(e.g. Spring, Winter, etc.)</i>	Maximum amount of this gear type that will be deployed on the site <i>(i.e. 200 cages, 100 lantern nets, etc.)</i>	Species that will be grown using this gear type

Cotton lines will be monitored and replaced as needed for degradation, any issues with breakage will be handled and repaired immediately

7. SITE DEVELOPMENT

Directions: If your operations require the use of cages, nets, ropes, trays, or any object (structure) other than the organism to be grown directly on the bottom or buoys to mark the corners of the lease site, you must submit gear drawings and maximum structure schematics (information below). This section is intended to provide accurate plans depicting the physical structures to be placed in the proposed area. All dimensions need to be labeled with the appropriate units (i.e. 10ft, 10in). If you are proposing a bottom lease (no gear), please skip to question “F. Marking”.

Note: You may embed the schematics within the document or attach them to the end of your application. If you attach the schematics, please label them according to the instructions provided below.

A. Gear Information

Directions: Include a drawing of an individual piece of gear for each of the gear type(s) you plan to use. Include units referenced (i.e. 10in, 10ft, etc.).

1. **Gear Drawing:** Please include the following for each gear type that will hold organisms to be cultured (e.g. polar circles, marine algae longlines, oyster cages) and label as “Gear Drawing”. This view must show the following:
 - Length, width, and height of each gear type.
2. **Gear Table:** List and describe each individual gear type that you will use in the table below. (e.g. polar circles, marine algae longline, oyster cages, moorings, mooring lines, buoys, etc.).

Specific Gear Type <i>(e.g. soft mesh bag)</i>	Dimensions <i>(e.g. 16"x20"x2")</i>	Time of year gear will be deployed <i>(e.g. Spring, Winter, etc.)</i>	Maximum amount of this gear type that will be deployed on the site <i>(i.e. 200 cages, 100 lantern nets, etc.)</i>	Species that will be grown using this gear type
Upweller	38' x 11' x 6'	Year round	7	All shellfish species listed
Enclosed equip. float	10' x 10' 1" x 13.5'	Year round	1	All shellfish species listed
Hard plastic umbilical lines	170'-340'	Year round	2	All shellfish species listed
umbilical line	1" diameter			
Mushroom anchor	50 lb.	November 1 May 15	64	All kelp species listed

Year round

Coast Guard Chain 3/8" Year Round 130' total Kelp
Chain for equip. float 1/2" year round (2) 30' lengths shellfish

7. SITE DEVELOPMENT

Directions: If your operations require the use of cages, nets, ropes, trays, or any object (structure) other than the organism to be grown directly on the bottom or buoys to mark the corners of the lease site, you must submit gear drawings and maximum structure schematics (information below). This section is intended to provide accurate plans depicting the physical structures to be placed in the proposed area. All dimensions need to be labeled with the appropriate units (i.e. 10ft, 10in). If you are proposing a bottom lease (no gear), please skip to question “F. Marking”.

Note: You may embed the schematics within the document or attach them to the end of your application. If you attach the schematics, please label them according to the instructions provided below.

A. Gear Information

Directions: Include a drawing of an individual piece of gear for each of the gear type(s) you plan to use. Include units referenced (i.e. 10in, 10ft, etc.).

1. **Gear Drawing:** Please include the following for each gear type that will hold organisms to be cultured (e.g. polar circles, marine algae longlines, oyster cages) and label as “Gear Drawing”. This view must show the following:
 - Length, width, and height of each gear type.
2. **Gear Table:** List and describe each individual gear type that you will use in the table below. (e.g. polar circles, marine algae longline, oyster cages, moorings, mooring lines, buoys, etc.).

Specific Gear Type <i>(e.g. soft mesh bag)</i>	Dimensions <i>(e.g. 16"x20"x2")</i>	Time of year gear will be deployed <i>(e.g. Spring, Winter, etc.)</i>	Maximum amount of this gear type that will be deployed on the site <i>(i.e. 200 cages, 100 lantern nets, etc.)</i>	Species that will be grown using this gear type
Mushroom anchor	50 lb.	November 1-May 15	64	All kelp species listed
Polyform A1 buoys	11" x 15"	November 1-May 15	88	All kelp species listed
Polyform A4 buoys	20" x 26"	November 1-May 15	16	All kelp species listed
Cement mooring block	4000 lb.	year round	4	All shellfish species listed
Mushroom anchor	100 lb.	year round	14	All shellfish species listed

two gray squares in the cross section kelp view represent 25' of 3/8" poly line connected to a 1/2" shackle to provide tension and also connected at the anchor block

7. SITE DEVELOPMENT

Directions: If your operations require the use of cages, nets, ropes, trays, or any object (structure) other than the organism to be grown directly on the bottom or buoys to mark the corners of the lease site, you must submit gear drawings and maximum structure schematics (information below). This section is intended to provide accurate plans depicting the physical structures to be placed in the proposed area. All dimensions need to be labeled with the appropriate units (i.e. 10ft, 10in). If you are proposing a bottom lease (no gear), please skip to question “F. Marking”.

Note: You may embed the schematics within the document or attach them to the end of your application. If you attach the schematics, please label them according to the instructions provided below.

A. Gear Information

Directions: Include a drawing of an individual piece of gear for each of the gear type(s) you plan to use. Include units referenced (i.e. 10in, 10ft, etc.).

1. Gear Drawing: Please include the following for each gear type that will hold organisms to be cultured (e.g. polar circles, marine algae longlines, oyster cages) and label as “Gear Drawing”. This view must show the following:
 - Length, width, and height of each gear type.
2. Gear Table: List and describe each individual gear type that you will use in the table below. (e.g. polar circles, marine algae longline, oyster cages, moorings, mooring lines, buoys, etc.).

Specific Gear Type <i>(e.g. soft mesh bag)</i>	Dimensions <i>(e.g. 16"x20"x2")</i>	Time of year gear will be deployed <i>(e.g. Spring, Winter, etc.)</i>	Maximum amount of this gear type that will be deployed on the site <i>(i.e. 200 cages, 100 lantern nets, etc.)</i>	Species that will be grown using this gear type
coast guard Chain	1/2" x 30'	Year Round	18 lengths	All shellfish species listed
coast guard chain	1/2" x 10'	year round	18 lengths	All shellfish species listed
shackles	3/4"	Year round	14	All shellfish species listed
shackles	5/8"	year round	14	All shellfish species listed
bridle rope	3/4"poly nylon rope	year round	14 x 50' lengths	All shellfish species listed

Explanation of total kelp gear:

Length of lines:

104 vertical lines (13 per row) each at a length of 47 ft, made from cotton line, with a diameter of 3/8 inches. The dimensions of these lines are 47' x 3/8"

8 horizontal lines (1 per row) each at a length of 600 ft, made from cotton line, with a diameter of 3/8 inches. The dimensions of these lines are 600' x 3/8"

16 diagonal lines (2 per row) to attach the horizontal line to the anchor. These are 230 ft in length, cotton line, with a diameter of 3/8 inches. The dimensions of these lines are 230' x 3/8"

1 long horizontal line that helps stabilize all 8 rows, that is 350 ft, made from cotton line, with a diameter of 3/8 inches. The dimensions of these line are 350' x 3/8"

Total mooring gear as well:

There are 106 anchors in total. 42 of these are 1200 lb cement mooring blocks. 64 of these are 50 lb mushroom anchors.

The rough gear area is 1060 ft from end to end (horizontally) and 350 ft end to end (vertically).

D. Gear Color

Provide the color of the gear and structures proposed to be used at the lease site.
Aluminum upwellers and center buoy Aluminum is silver and not painted. Matte, not reflective. All marker buoys and any other floating buoys will be yellow

E. Equipment Layout

Provide schematic or photographic renderings of the generalized layout of the equipment as depicted from two vantage points on the water. Provide the locations of the two vantage points.

F. Marking

Will you be able to mark your site in accordance with DMR regulations, Chapter 2.80? In part, this requires marker buoys which clearly display the lease ID and the words SEA FARM to be located at each corner of the lease. <input checked="" type="checkbox"/> Yes <input type="checkbox"/> No If you answered no, explain why and suggest alternate markings.

Note: If a lease is granted, you will also be required to mark the site in accordance with appropriate US Coast Guard Regulations. If you have questions about US Coast Guard Regulations contact: 1st Coast Guard District, Aids to Navigation Office ((617)-223-3293).

7.E. Equipment Layout



7.E Equipment Layout



8. PRODUCTION ACTIVITIES

Directions: If you are cultivating more than one species, you will need to provide the following information for each species. Please attach additional pages if needed.

A. Please explain your proposed seeding activities. What months will seeding occur and how often will you be onsite to seed during this time.

For kelp species, seeding will occur starting November 1st annually. Expect to be on site 5 days per week for up to 2 weeks for kelp seeding and set up. With all shellfish species listed seeding will occur in May and June annually. We will be on site up to 5 days per week during seeding times, for up to 2-3 weeks.

B. Please explain your proposed tending/maintenance activities.

Maintenance for kelp includes checking anchors, disentangling lines, and monitoring growth of kelp. This will be the same for each kelp species we are proposing. Some kelp will be systematically removed from the lines for scientific study throughout the growing season, with the majority of the kelp being harvested in May. All shellfish species tending and maintenance to include cleaning and grading between May and October when shellfish seed and upwellers are present.

C. How frequently will you visit the site for routine tending/maintenance (i.e. flipping cages, etc.)?

For shellfish from April through October we expect to be on site up to 5 days per week for routine maintenance and tending when shellfish and upwellers are present on site. During winter months(November through May) for kelp growing season we will be at the site monthly or twice monthly (depending on the time of year; monthly to start, twice monthly come February) to the site to check gear and ensure everything is growing properly.

D. Describe the harvesting techniques you will use. If you plan on using a drag, please provide the dimensions.

We will be hand harvesting kelp lines. Divers use ascenders to cut the line and bring it up to the boat, and then we pull the anchor and chain. Shellfish will be harvested by hand from the upwellers.

E. How often will you be at the site during harvesting periods?

Up to 5 days per week for harvesting shellfish during summer months. All kelp species will be harvested no later than May 15th annually. Anticipate 5 days a week for kelp harvest for one to two weeks at harvest time.

F. Will gear be on the site year-round? Yes No

G. Describe any overwintering or “off season” plans for the site. For example, will you remove gear from the site and/or deploy gear in different areas within the proposed site? Please include where gear or product will be located if removed from the site.

All kelp gear will be removed no later than May 15th annually, with the exception of mushroom anchors which will remain in place year round. All gear removed will be stored at our facility in Portland. Shellfish upwellers will be sunk to the bottom in place during winter months. Mooring blocks and 100lb. mushroom anchors may remain year round on site.

H. Please provide details on any predator control techniques you plan to employ.

None planned.

I. Suspended culture gear can attract birds that roost on the gear and defecate, potentially creating a pollution source impacting shellfish held within the gear. In order to comply with the National Shellfish Sanitation Program (NSSP) Model Ordinance (MO), DMR is requiring that applications for the suspended culture of shellfish include a description of mitigation or deterrent measures to minimize the potential pollution impacts of birds at the proposed site. If appropriate, include sketches or photos that clearly depict those measures put into practice.

Examples may include:

- Submerging suspended gear and associated product at a depth sufficient to deter roosting for two weeks before harvest
- Attaching physical deterrents (i.e. zip ties) to gear
- The site is proposed for the culture of seed only
- The site is proposed for the culture of adductor-only scallops (i.e. no other shellfish species would be grown on the site)
- Proposed gear would always be suspended below the surface of the water at a depth sufficient to deter roosting (i.e. as is common for scallop lantern nets)

Bird deterrent:

Power buoy has zipties on arches to discourage the landing of sea birds

We will also be using a deterrent called a Coyote Decoy, it deters birds from a large distance around, it is a 3D build that makes it visible from all angles, it is 36L" x 12W" x 25H". There will be at least one on each row of upwellers, and will be moved frequently around the site.

We have used these before with great success.

9. NOISE AND LIGHT

Directions: If a question does not pertain to your proposed operations, please write “**not applicable**” or “N/A”.

A. What type of boats will be used on the site? When and how often will these vessels be on the site?

A range of vessels will bring crews out to the grading vessel, which is stored off site at a permitted mooring 1/4th of a mile from the lease site, on a daily basis. Currently we have a 50' aluminum work boat, powered by twin 250 hp outboard motors (Stored at a mooring at Paul's Marina in Brunswick). An 18' aluminum work boat, powered by and a 150 hp outboard motor, and an 18' fiberglass skiff powered by a 90 hp outboard motor. A schematic of the grading vessel is attached.

B. What type of powered equipment (e.g. generator, power washer, grading equipment, barges, etc.) will be used on the site? When and how often will the equipment be used?

Grading vessel fully encloses a built in generator, power washer, and grading equipment. The vessel is sound proofed to minimize noise. Custom built grading and washing equipment that is fully contained inside the grading vessel to be used up to 5 times a week during the growing season for shellfish species listed. Anticipate power washing up to 2 hours per day, sorting and grading done weekly, up to 3 hours once per week.

C. Specify how you intend to reduce noise levels from the boats and other powered equipment.

Sorting, power washing, and grading equipment is all contained within the soundproof vessel. Grading vessel is powered by 4 stroke outboards to reduce noise and increase efficiency. We utilize a Northern Lights model number M844LW3 / M844W3 sound shield. The generator is located inside the grading vessel walls, which are insulated. Wet exhaust system includes a two-stage muffler and a custom underwater exhaust box.

D. Provide the number, type (whether fixtures are shielded), wattage and location of lights, other than those used for navigation or marking, that will be used at the proposed lease site.

The center equipment buoy has 2 lights on it, shielded , 40 watt white lights on top of the buoy, the same gear set up we have been licensed for on the current lease since 2019 with no issues.

E. Indicate under what circumstances you might work at your site beyond daylight hours.

Severe weather or equipment malfunction. If working after dark we would be making any needed repairs on board the boat. The vessel's running lights would be on to show other vessels that we are in the area. Running lights are typically visible up to a mile, but do not illuminate the boat. On top of the pilot house of the boat we have a deck light that is 2,100 lumens. This light is angled downwards and used to illuminate the deck to create a safer work environment.

Additional LPAs held by company affiliates

DSOR119	David Soroka
DSRO219	David Soroka
DSOR319	David Soroka
DSOR419	David Soroka
NMER121	Nate Merrill
NMER221	Nate Merrill
NMER321	Nate Merrill
NMER421	Nate Merrill
MAND121	Matt Anderson
MAND221	Matt Anderson
MAND321	Matt Anderson
MAND421	Matt Anderson
ABAS522	Adam Baske
ABAS622	Adam Baske
ABAS722	Adam Baske
ABAS822	Adam Baske
FDON522	Finnian Donovan
FDON622	Finnian Donovan
FDON722	Finnian Donovan
FDON822	Finnian Donovan

10. CURRENT OPERATIONS

Directions: If a question does not pertain to your proposed operations, please write “**not applicable**” or “**N/A**”.

A. Describe your existing aquaculture operations, including the acronyms of all active leases and/or licenses.
MODL118, MODL218, MODL318, MODL418 LPAS MID GIx2-Goose Island LLC 3.28 acre experimental lease MID WCx-Wilson Cove LLC 3.2 acre experimental lease See additional page for all other LPAs that Goose Island LLC has an interest in.

B. What are your plans for any existing leases and/or Limited Purpose Aquaculture (LPA) licenses if the lease is granted? Will any existing leases and/or LPA licenses be relinquished if the lease is granted? If so, please indicate which ones.
MID GIx2- Goose Island LLC experimental would be relinquished upon approval of this standard lease, all others would remain the same.

11. ENVIRONMENTAL CHARACTERIZATION

Directions: Using your knowledge of the area, describe the environment of the proposed lease site. Be sure to include units of measurement in your answers (i.e. feet, cm/s).

A. What are the approximate depths at mean low water?
30 feet

B. What are the approximate depths at mean high water?
39 feet

C. Provide the approximate current speed and direction during the ebb and flow.
Ebb: SW 0.3 knot Flow: NE 0.3 knot

<p>D. The following questions (D.1 through D.6) may be answered in writing or by submitting a video. If you plan to submit a video, please contact the Department prior to video collection.</p>
<p>1. What are the bottom characteristics (mud, sand, gravel, rock, ledge or some mix, etc.)?</p>
<p>Rocky gravel mix</p>
<p>2. Describe the bottom topography (flat, steep rough, etc.).</p>
<p>Flat</p>
<p>3. Describe marine organisms by species or common names. Based on your personal observations or other sources of information, are these species abundant, common, or rare?</p>
<p>None observed during frequent dives since August of 2019.</p>
<p>4. Are there shellfish beds or fish migration routes in the surrounding area? If so, please describe.</p>
<p>None observed.</p>
<p>5. Describe the presence and extent of submerged aquatic vegetation, i.e. eelgrass, within the proposed lease area. Please include the date of this observation along with the method of observation. If submerged aquatic vegetation is observed, please also describe the abundance below and sketch the limits of the beds in the vicinity map.</p>
<p>There is no marine vegetation in the proximity of the site. Observed continually since July, 2018.</p>

6. Describe the general shoreline and upland characteristics (rocky shoreline, forested, residential, etc.)

There are a handful of camps along the west shore of Lower Goose and Upper Goose but it is mostly wooded.

E. Is your proposed lease located within a Maine Department of Inland Fisheries and Wildlife designated Essential Habitat?

Yes No

Note: The location of Essential Habitats in the State of Maine, along with information on how projects within these areas are reviewed, can be found here: <https://www.maine.gov/ifw/fish-wildlife/wildlife/endangered-threatened-species/essential-wildlife-habitat/index.html>

If a project is located within an Essential Habitat, applicants are strongly encouraged to contact the MDIFW Environmental Review Coordinator (John.Perry@maine.gov, phone: 207-287-5254) prior to application submission.

12. EXISTING USES

A. Describe the existing uses of the proposed area in questions A.1 through A.5 below. Please include the a) type b) time of year c) frequency and d) proximity to the lease site for each existing use.

1. Commercial Fishing

The area to the southwest of the proposed site towards French Island, more than 800 ft. from site, is used for lobster fishing during the peak summer months from June to August. During regular surveying of the site no fishing was observed in the location of the proposed site.

2. Recreational Fishing

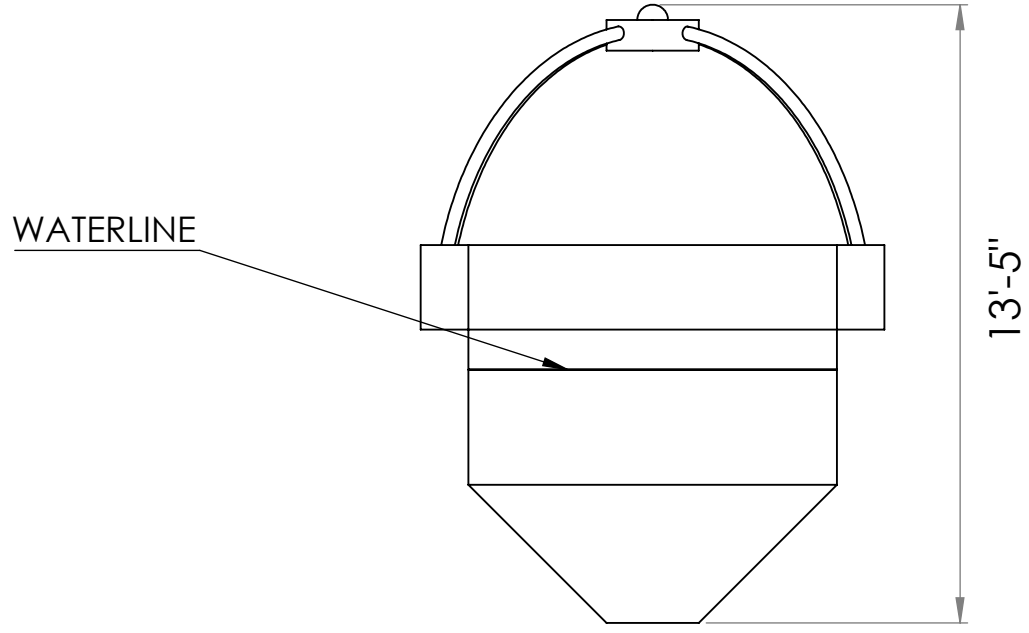
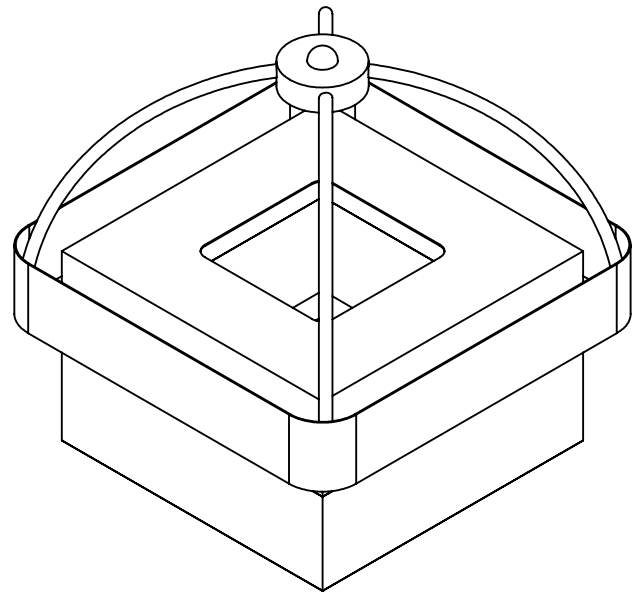
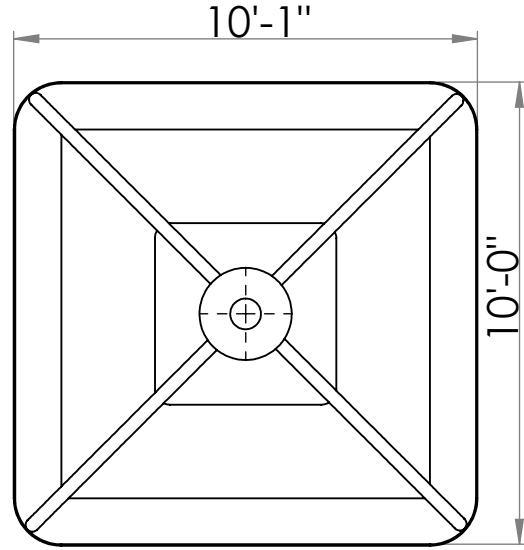
no recreational activity occurs on the proposed site. As observed regularly since 2019.

3. Boating Activities (please also include the distance to any navigable channel(s) from your proposed site at low water)
Boat traffic moves from north east to the south west from the tip of Mere Point towards Moshier Island. The bulk of this traffic moves along the opposite shoreline of the proposed site. This navigable channel between Petengill Island and the Goose Islands is 4,900 ft wide. The western most point of the proposed site is 1000' from this channel.
4. Ingress and egress (i.e. coming and going) of shorefront property owners within 1,000 feet of the proposal (e.g. docks, moorings, landing boats on shore, etc.)
There are no riparians within 1000' of the proposed site. No ingress/egress concerns.
5. Other uses (kayaking, swimming, etc.)
None observed.

B. Are there private docks, moorings, or other access points within 1,000 feet of the proposed lease? If yes, please include approximate distance from the proposed lease.
None.

C. Are there public beaches, parks, docking facilities or federally, state, or municipally conserved lands within 1,000 feet of the proposed lease site? If yes, please describe and include approximate distances from proposed lease.
None.

GEAR DRAWING



	NAME	DATE		
DRAWN	N.MERRILL	1/14/2019	TITLE: ENCLOSED EQUIPMENT FLOAT	
COMMENTS: DIMENSIONS ARE IN FEET			SIZE	DWG. NO.
			B	RTT-006
			REV	00
DO NOT SCALE DRAWING			SCALE: 1:50	SHEET 1 OF 1

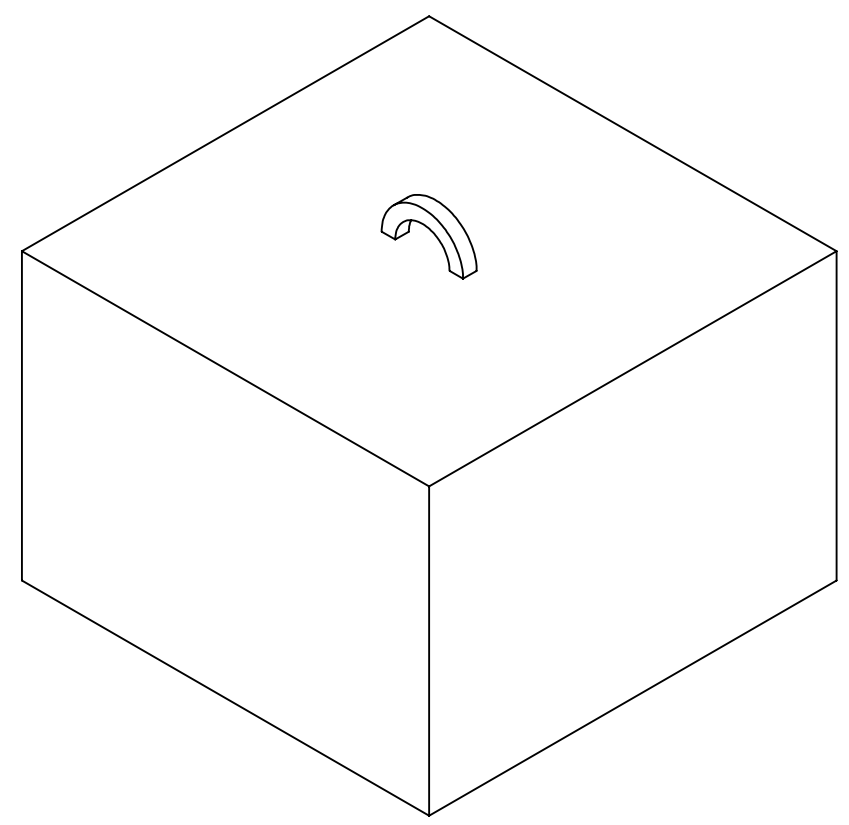
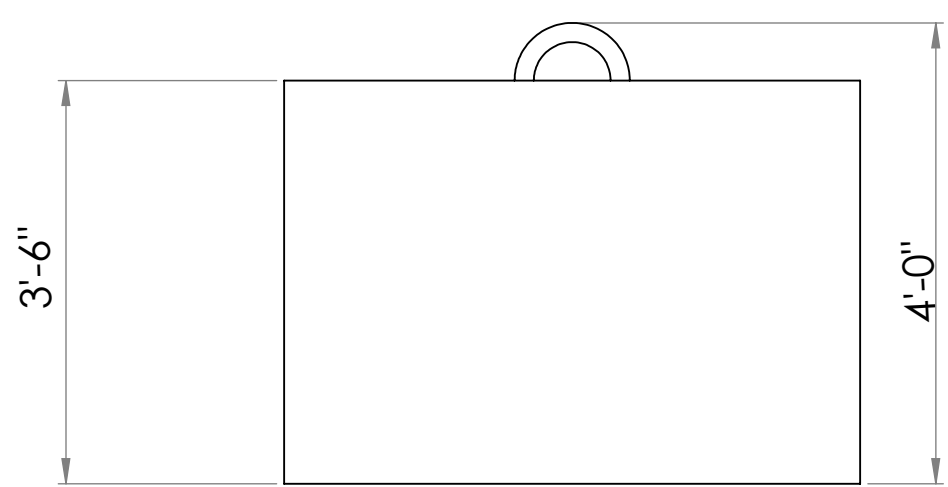
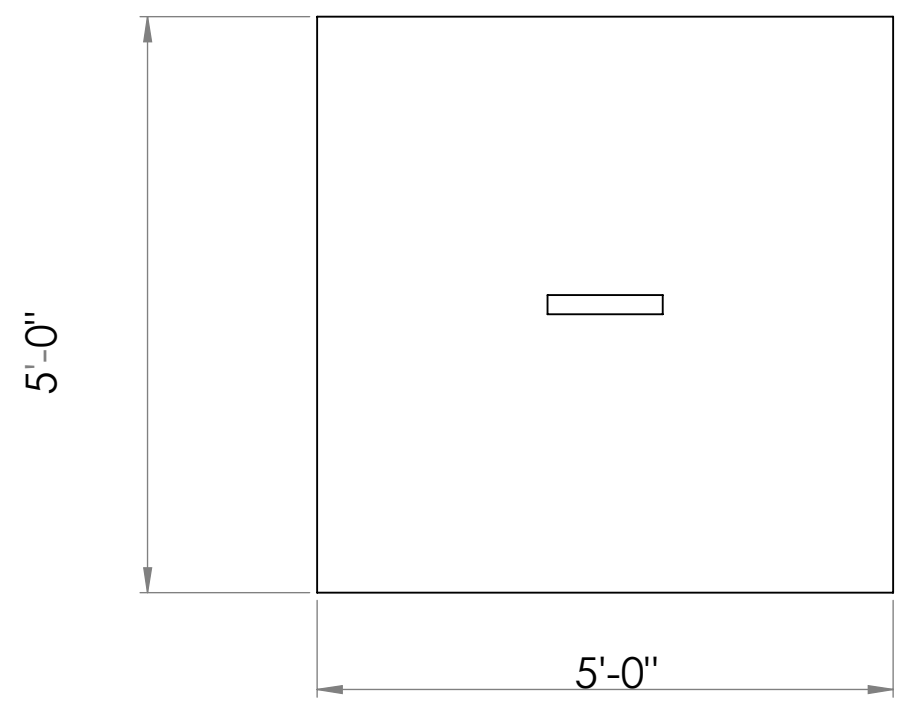
B

B

A

A

GEAR DRAWING



	NAME	DATE		
DRAWN	N. MERRILL	1/14/2019	TITLE: MOORING	
COMMENTS: DIMENSIONS ARE IN FEET			SIZE	DWG. NO.
			B	RTT-008
			REV	00
DO NOT SCALE DRAWING			SCALE: 1:20	SHEET 1 OF 1

B

B

A

A

D. Are there any Limited Purpose Aquaculture (LPA) licenses or aquaculture leases within 1,000 feet of your proposed lease site? If yes, please list their acronyms below.

Current and pending aquaculture leases and active LPA licenses may be found here:
<https://www.maine.gov/dmr/aquaculture/leases/index.html>

None.

13. EXCLUSIVE USE

If your lease is granted, what activities would you request be excluded from occurring within the boundaries of the lease site? In your answer please address applicable commercial and recreational fishing, boating activities, and other activities you listed in the 'Existing Uses' section of this application.

None

14. RIPARIAN LANDOWNERS AND SITE ACCESS

A. If your lease is within 1,000ft of shorefront land (**which extends to mean low water or 1,650 ft. from shore, whichever is less, according to NOAA charts**), the following supporting documents are required:

1. A labeled copy of a tax map(s) depicting the location of the proposed lease site and including the following elements:
 - Label the map “Tax Map: Town of (name of town).”
 - Legible scale
 - Tax lot numbers clearly displayed
 - The boundaries of the proposed lease
2. Please use the Riparian Landowner List (included on the next page) to list the name and address of every shorefront landowner within 1,000ft of the proposed lease site. Have the tax collector or clerk of the municipality certify the list. Refer to the riparian determination guidance document to ensure all riparian landowners are included:
<https://www.maine.gov/dmr/aquaculture/forms/documents/RiparianDetermination.pdf>

Note: When the application and riparian list are both ready to be submitted, you may choose to email a copy of the riparian list and proposed lease coordinates to DMRAquaculture@maine.gov for staff to verify that all required parcels are included on the list *before* having it certified by the municipality. DMR will not verify a riparian list multiple times, so please ensure there will be no additional changes to the application before emailing the riparian list for verification.

3. If any portion of the site is intertidal, you need to complete the steps outlined in the section titled: “19. Landowner/Municipal Permission Requirements”.

B. Will your access to the lease area be across riparian land?

Yes No

Note: If you selected yes, you will need to complete the landowner permission requirements included in “19. Landowner/Municipal Permission Requirements” of this application.

C. How will you access the proposed site?

By boat from public access points.

D. How will your proposed activities affect riparian ingress and egress?

They won't affect this in any way, as our proposed lease site is over 1000' from shore.

15. TECHNICAL CAPABILITY

Provide information regarding professional expertise. Attaching resume or documentation of practical experience necessary to accomplish the proposed project would satisfy this requirement.

See attached resume

16. FINANCIAL CAPABILITY

A. Financial Capability

Please provide documentation to show you have the financial resources to implement the proposal. For example, you may submit a letter from a financial institution or funding agency indicating that you have an account in good standing, or their willingness to commit funds.

Note: Any financial information you submit with your application is part of the public record. Please exercise discretion when submitting financial information.

See attached bank letter

B. Cost Estimates

Please provide cost estimates of the proposed aquaculture activities.

Rope= \$800.00 Buoy=\$1900.00 Mushroom Anchors= \$10,000.00 7 Upwellers= \$200,000 Mooring Gear= \$16,000
Center equipment buoy= \$10,000 Misc. \$5,000
Total: \$243,700

Nearly all of the equipment is already owned and some already on the site as it is now. Annual cost for personnel estimated at \$250k, estimated cost for operating expenses is \$50k, to include fuel, maintenance and repair of equipment.

17. ESCROW ACCOUNT OR PERFORMANCE BOND

Check the category that describes your operation:

Check Here	Lease Category	Amount of Required Escrow or Performance Bond
<input type="checkbox"/>	No gear/structure, no discharge	\$500.00
<input type="checkbox"/>	No gear/structure, discharge	\$500.00
<input type="checkbox"/>	≤ 400 square feet of gear/structure, no discharge	\$1,500.00
<input checked="" type="checkbox"/>	>400 square feet of gear/structure, no discharge	\$5,000.00*
<input type="checkbox"/>	Gear/Structure, discharge	\$25,000.00

*DMR may increase the bond/escrow requirements for leases with more than 2,000 square feet of structure.

I, (*printed name of applicant*) Matthew Odlin have read DMR Aquaculture Regulations Chapter 2.64(10) (D) and if this proposed lease is granted by DMR, I will either open an escrow account or obtain a performance bond, in the amount determined by the lease category.



Owner

11-10-2022

Applicant Signature

Date

Note: Add title if signing on behalf of a corporate applicant.

ADDITIONAL APPLICANTS: Each applicant must sign this section indicating that they will open an escrow account or obtain a performance bond. Use the space below for additional persons listed on the application. You may attach additional pages, if necessary.

I, (*printed name of applicant*) Matthew Odlin have read DMR Aquaculture Regulations Chapter 2.64(10) (D) and if this proposed lease is granted by DMR, I will either open an escrow account or obtain a performance bond, in the amount determined by the lease category.



11.10.2022

Applicant Signature

Date

Note: Add title if signing on behalf of a corporate applicant.

18. APPLICANT SIGNATURE PAGE

I hereby state that the information included in this application is true and correct. I have also read and understand the requirements of the Department’s rules governing aquaculture and the application instructions pertaining to the standard lease process.

Printed name: Matthew Odlin

Title (if corporate applicant): Owner

Signature:  Date: 11-10.2022

18 U.S.C. Section 1001 provides that: Whoever, in any manner within the jurisdiction of any department or agency of the United States knowingly and willfully falsifies, conceals, or covers up any trick, scheme, or disguises a material fact or makes any false, fictitious or fraudulent statements or representations or makes or uses any false writing or document knowing same to contain any false, fictitious or fraudulent statements or entry, shall be fined not more than \$10,000 or imprisoned not more than five years or both.

Note:

- All applicants must sign and date this page. Please use the space below, if additional signatures are required.
- Corporate applicants, please be sure to include the title(s) (i.e. President, Treasurer, etc.) of the individual(s) signing on the company’s behalf.

Additional Applicant:

Printed name: _____

Title (if corporate applicant): _____

Signature: _____ Date: _____

19. LANDOWNER/MUNCIPAL PERMISSION REQUIREMENTS (if applicable)

Directions: If any portion of the site is intertidal, you need to complete the steps outlined below.

Step I: Obtain written permission from all intertidal landowners.

Pursuant to DMR Regulations Chapter 2.10(3)(G) the Department requires *written permission of every owner of intertidal land in, on, or over which the activity will occur*. It is your responsibility to obtain written permission and include it with your application materials. Please note that the Department does not provide forms for landowner permission.

Step II: Determine if the municipality where your site is located has a shellfish conservation program.

Pursuant to 12 MRSA §6072(3) *In any municipality with a shellfish conservation program under section 6671, the Commissioner may not lease areas in the **intertidal zone** within the municipality without the consent of the municipal officers.*

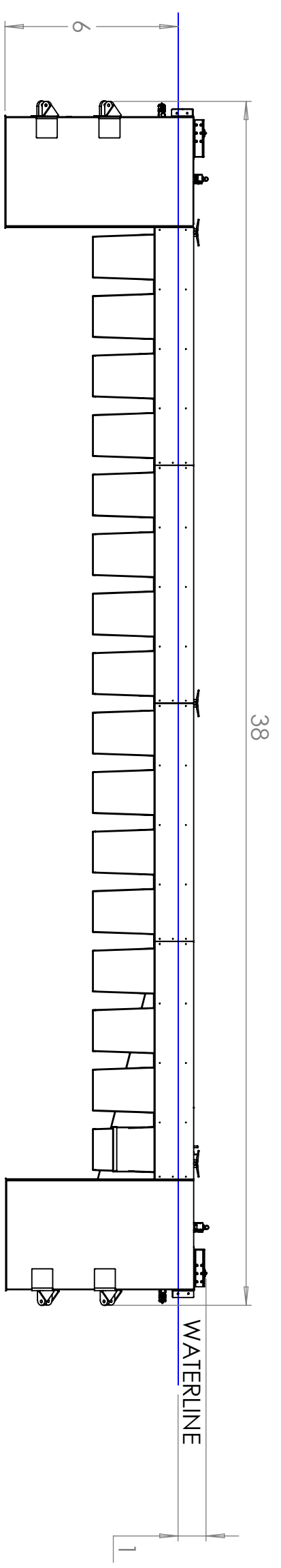
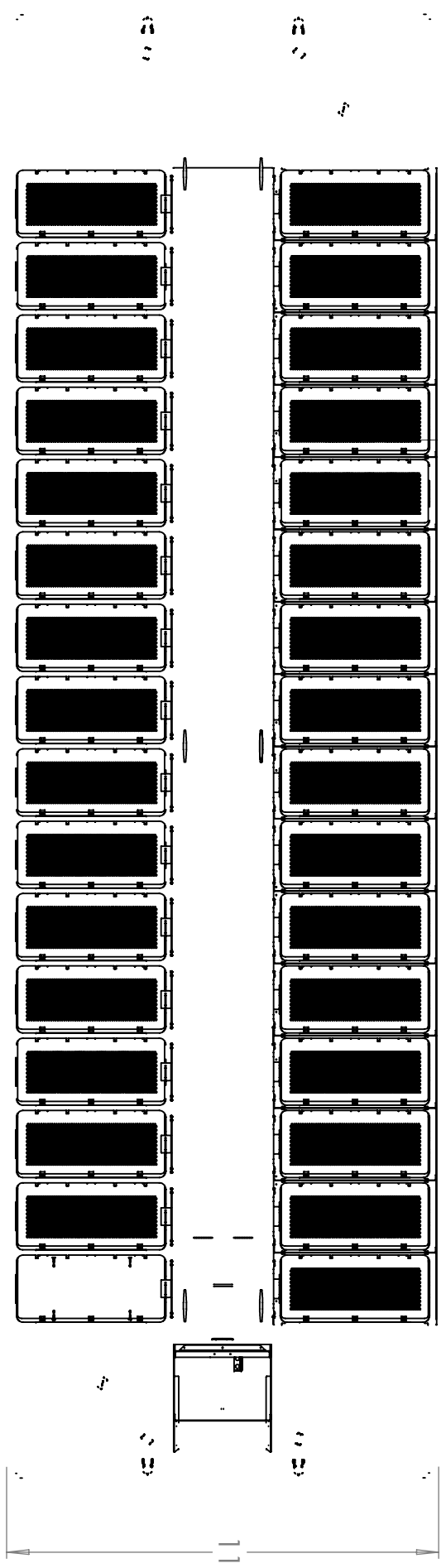
If the municipality where the proposed lease site is located has a shellfish conservation program, it is your responsibility to obtain consent for the proposed lease site from the municipal officers (i.e. the selectmen or councilors of the town, or the mayor and aldermen or councilors of a city.) Consent means a majority vote of the municipal officers as recorded in a public meeting.

It is your responsibility to contact the municipality and determine if they have a shellfish conservation program. Best practices would include discussing your plans with shellfish committee members, but only the consent of municipal officers is required.

Does the municipality, where the proposed site is located, have a shellfish conservation program? Yes No

If you answered yes, please attach documentation from a public meeting demonstrating that a majority of municipal officers have consented to your proposal.

UPWELLER DIMENSIONS (V5)



DIMENSIONS ARE IN FEET

This is a depiction of one upweller

Spill Prevention Control and Countermeasures

1. SPCC equipment maintained on site:

50' feet of oil absorbent boom will be maintained on the service vessel, and on the float. This will be enough to ring the float or the vessel or both with the absorbent boom.

We will also have at least 20 absorbent pads in the float, for any spills inside of the float.

2. Spill prevention:

Fueling activities will be conducted with two crew members present.

Fuel will be transferred from fuel tank on vessel onto float with a pump and hose. Hose nozzle will be brought inside the main access hatch on the top of the buoy. Fuel fill nozzle and fuel vent are inside the float. The float is separately vented to the atmosphere. Should there be a spill while fueling, it will happen inside the buoy. There is a sealed floor above the fuel tank that collects condensation from the walls or vents and is pumped off. The fuel bilge is below this level and has a separate pump.

During pumping procedures, one crew member climbs inside the buoy, where they have control over the pumping nozzle. The second crew member is onboard the service vessel, monitoring the fuel tank, and with ready access to absorbent pads, and the absorbent boom.

The pump is turned on by the crewmember inside the the buoy. The crewmember can monitor the manual fuel gauge inside the buoy, and shut off the fuel fill when the tank is 50% full.

3. Spill containment:

Diesel will be stored inside three layers of containment: a stainless-steel fuel tank fabricated by a highly experienced and certified marine welder, a containment layer of hydraulic cement, and a 3/8" thick steel hull. Should a spill occur, these three barriers will prevent the diesel from entering the water.

Additionally, there is a containment coaming around the fuel fill and vent, which prevents any small fuel leaking during fueling or venting from flowing into the water bilge.

4. Spill cleanup

Should a spill occur during fueling, the crewmember inside the buoy will immediately stop the fuel pump. Then all bilge pumps will be shut from an emergency shutoff switch inside the buoy. The crew member on the service vessel will circle the buoy with the absorbent boom, and immediately push absorbent pads into the bilge pump discharges. The fuel spilled inside the buoy will be pumped out with an auxiliary fuel pump onboard the service vessel into an appropriate tank for waste oil. The remaining fuel inside the buoy will be cleaned up with a vacuum and wiped up with the absorbent pads.

Should the spill spread, the fueling team will circle the buoy and service vessel with the absorbent boom and call appropriate authorities for assistance.

MARTY ODLIN
marty@runningtide.com

EDUCATION:

Dartmouth College, Hanover NH
B.A. Engineering June 2005

WORK:

Running Tide, Portland ME May 2017 – Present
CEO

- Oversee shellfish and kelp farming operations
-

Atlantic Trawlers Fishing Co., Portland ME Dec 2011 – 2018
Operations Manager

- Deployed over 1000 offshore trawler trips
 - Manage seafood harvest and sales
 - Navigate relevant state and federal laws and requirements for seafood harvesting
-

Education Center for Sustainable Engineering
Columbia University, New York NY June 2008-2011

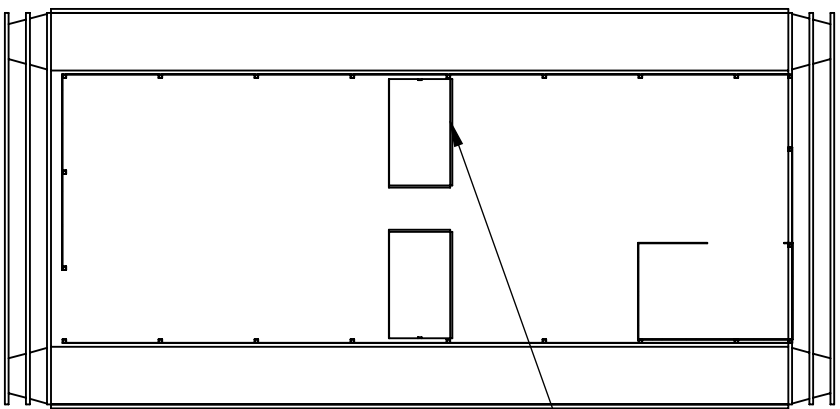
Assistant Director

- Manage research projects in green roofs, solar thermal engineering, energy efficiency, and incorporate research into high school and college curricula
 - Advisor to Engineers Without Borders
 - Develop and fabricate novel experimental equipment for solar tracking, boundary layer CO₂ flux measurement and wide variability water flow measurements for green roof runoff surveys
-

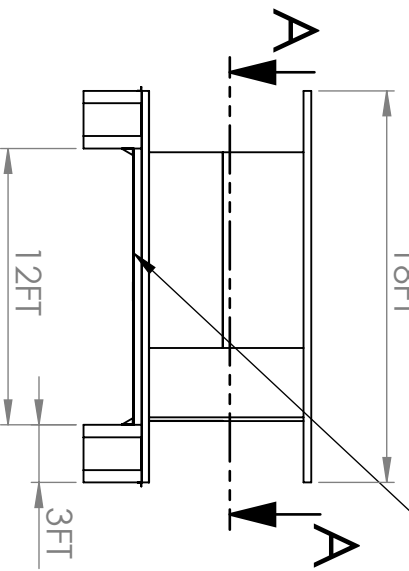
K2 Sports, Seattle October 2006 - May 2008
Design and Development Engineer

- Managed numerous consumer product design projects from conception and prototype to production
 - Worked on development projects in factories and development centers in Germany, South Korea and across Southern China
 - Experience in factory retooling, assembly line layout, cost accounting and lab and field testing of products
-

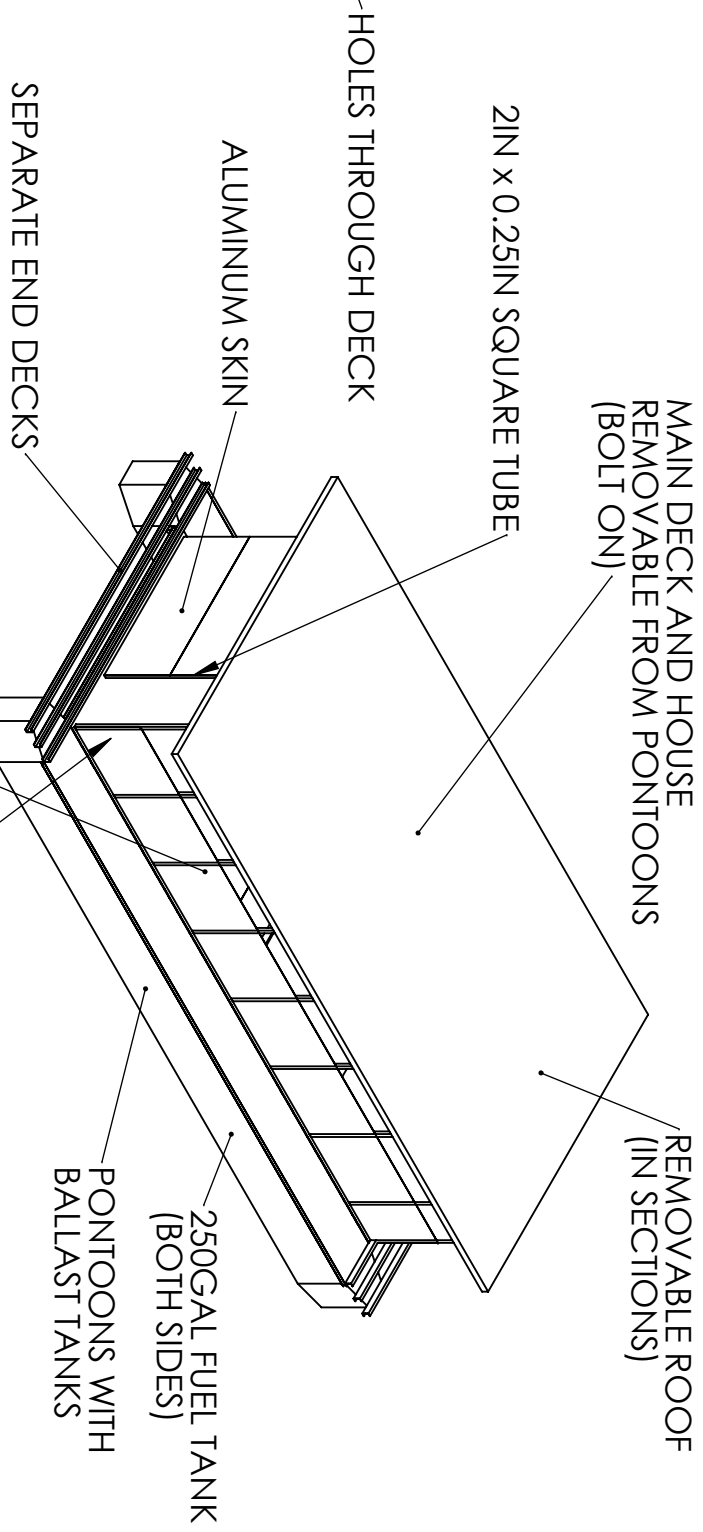
45FT RUNNING TIDE NURSERY GRADING VESSEL



SECTION A-A



4 X 2 X 3/16 CHANNEL
16" CENTERS



MAIN DECK AND HOUSE
REMOVABLE FROM PONTOONS
(BOLT ON)

REMOVABLE ROOF
(IN SECTIONS)

2IN X 0.25IN SQUARE TUBE

HOLES THROUGH DECK

ALUMINUM SKIN

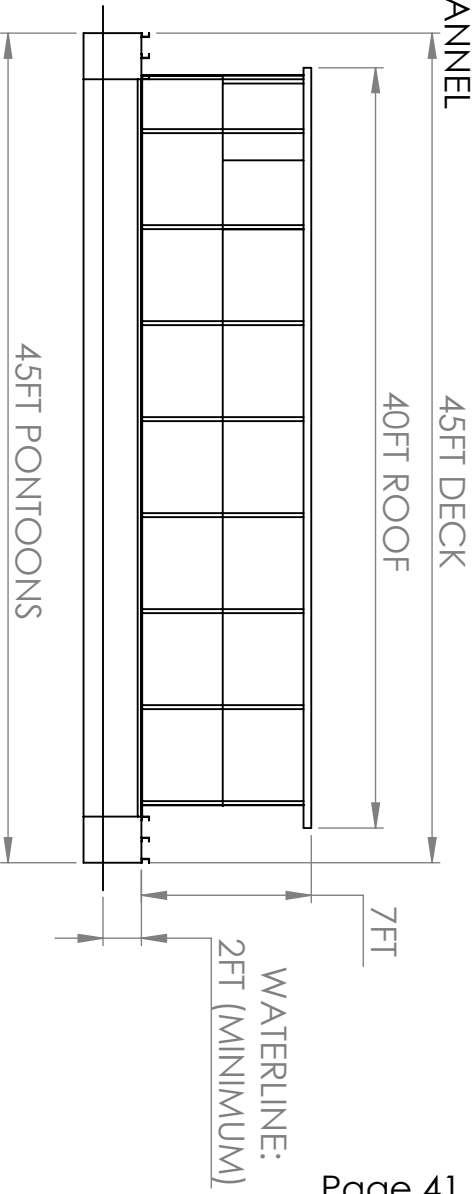
SEPARATE END DECKS

SKIP SKIN THIS BAY
AND OPPOSITE END
(MIRRORED)

CHECKER FLOOR 3/16IN X 4FT SECTIONS

250GAL FUEL TANK
(BOTH SIDES)

PONTOONS WITH
BALLAST TANKS



45FT DECK

40FT ROOF

7FT

WATERLINE:
2FT (MINIMUM)

45FT PONTOONS

DIMENSIONS IN FEET

MAINE
LIMITED LIABILITY COMPANY

STATE OF MAINE

CERTIFICATE OF FORMATION

Filing Fee \$175.00

File No. 20193659DC Pages 2
Fee Paid \$ 175
DCN 2190073600114 DLLC
-----FILED-----
01/07/2019



Deputy Secretary of State

A True Copy When Attested By Signature

Deputy Secretary of State

Pursuant to 31 MRSA §1531, the undersigned executes and delivers the following Certificate of Formation:

FIRST: The name of the limited liability company is:

Goose Island Oysters, LLC

(A limited liability company name must contain the words "limited liability company" or "limited company" or the abbreviation "L.L.C.," "LLC," "L.C." or "LC" or, in the case of a low-profit limited liability company, "L3C" or "l3c" -- see 31 MRSA 1508.)

SECOND: Filing Date: (select one)

Date of this filing; or

Later effective date (specified here): _____

THIRD: Designation as a low profit LLC (Check only if applicable):

This is a low-profit limited liability company pursuant to 31 MRSA §1611 meeting all qualifications set forth here:

- A. The company intends to qualify as a low-profit limited liability company;
- B. The company must at all times significantly further the accomplishment of one or more of the charitable or educational purposes within the meaning of Section 170(c)(2)(B) of the Internal Revenue Code of 1986, as it may be amended, revised or succeeded, and must list the specific charitable or educational purposes the company will further;
- C. No significant purpose of the company is the production of income or the appreciation of property. The fact that a person produces significant income or capital appreciation is not, in the absence of other factors, conclusive evidence of a significant purpose involving the production of income or the appreciation of property; and
- D. No purpose of the company is to accomplish one or more political or legislative purpose within the meaning of Section 170(c)(2)(D) of the Internal Revenue Code of 1986, or its successor.

FOURTH: Designation as a professional LLC (Check only if applicable):

This is a professional limited liability company* formed pursuant to 13 MRSA Chapter 22-A to provide the following professional services:

(Type of professional services)

FIFTH: The Registered Agent is at: (select **either** a Commercial or Noncommercial Registered Agent)

Commercial Registered Agent

CRA Public Number: _____

(Name of commercial registered agent)

Noncommercial Registered Agent

David E. Schneider, Esq.

(Name of noncommercial registered agent)

100 Middle Street, Portland, ME 04101

(physical location, not P.O. Box – street, city, state and zip code)

PO Box 9729, Portland, ME 04104-5029

(mailing address if different from above)

SIXTH: Pursuant to 5 MRSA §105.2, the registered agent listed above has consented to serve as the registered agent for this limited liability company.

SEVENTH: Other matters the members determine to include are set forth in the attached Exhibit _____, and made a part hereof.

****Authorized person(s)**

Dated January 4, 2018



(Signature of authorized person)

David E. Schneider, Esq., Organizer

(Type or print name of authorized person)

(Signature of authorized person)

(Type or print name of authorized person)

***Examples of professional service limited liability companies are accountants, attorneys, chiropractors, dentists, registered nurses and veterinarians. (This is not an inclusive list – see 13 MRSA §723.7)**

****Pursuant to 31 MRSA §1676.1.A, Certificate of Formation MUST be signed by at least one authorized person.**

The execution of this certificate constitutes an oath or affirmation under the penalties of false swearing under 17-A MRSA §453.

Please remit your payment made payable to the Maine Secretary of State.

Submit completed form to:

**Secretary of State
Division of Corporations, UCC and Commissions
101 State House Station
Augusta, ME 04333-0101
Telephone Inquiries: (207) 624-7752**

Email Inquiries: CEC.Corporations@Maine.gov



MAINE DEPARTMENT OF MARINE RESOURCES

Aquaculture Division, 21 State House Station, Augusta, ME 04333-0021 (207) 624-6567

**CORPORATE APPLICANT FORM
For Standard and Experimental Aquaculture Lease Applications**

Corporations or partnerships that apply for aquaculture leases in the State of Maine must complete this form. Corporations must submit information as requested under A. Corporate Applicant. Partnerships must submit information as requested under B. Partnership Applicant.

A. Corporate Applicant

Note: You must attach a copy of the Articles of Incorporation (Inc.) or Certificate of Formation (LLC) to your application.

1. Name of Corporation: ___Goose Island Oysters LLC
2. Date of incorporation: _January 7, 2019_ State of incorporation: _Maine_
3. List the names, addresses, and titles of all officers:

Name	Address	Title
Matthew Odlin	P.O. Box 10304 Portland, ME	Owner

Please use additional sheets if necessary and attach to the application.

4. List the names and addresses of all directors/members:

Name	Address
Matthew Odlin	P.O. Box 10304 Portland ME

Please use additional sheets if necessary and attach to the application.

5. Has the corporation, or any stockholder, director, or officer applied for an aquaculture lease for Maine lands in the past? Yes No

1. Restorative Aquaculture- Experimental lease application pending- Deemed complete by DMR, 2. Restorative Aquaculture-Standard lease application pending, deemed complete by DMR. 3. Goose Island LLC MID GIx2- Active experimental lease, 4. Wilson Cove LLC-MID WCx-active experimental lease, and pending standard lease application.

6. List the names and addresses of all stockholders who own or control at least 5% of the outstanding stock and the percentage of outstanding stock currently owned or controlled by each stockholder.

Name	Address	Percentage of Owned Stock
Matthew Odlin	P.O. Box 10304 Portland, ME	100%

Please use additional sheets if necessary and attach to the application.

7. List the names and addresses of stockholders, directors, or officers owning an interest, either directly or beneficially, in any other Maine aquaculture leases, as well as the quantity of acreage from existing aquaculture leases attributed to each such person based on the percentage of owned stock listed in question 6. If none, write, "None."

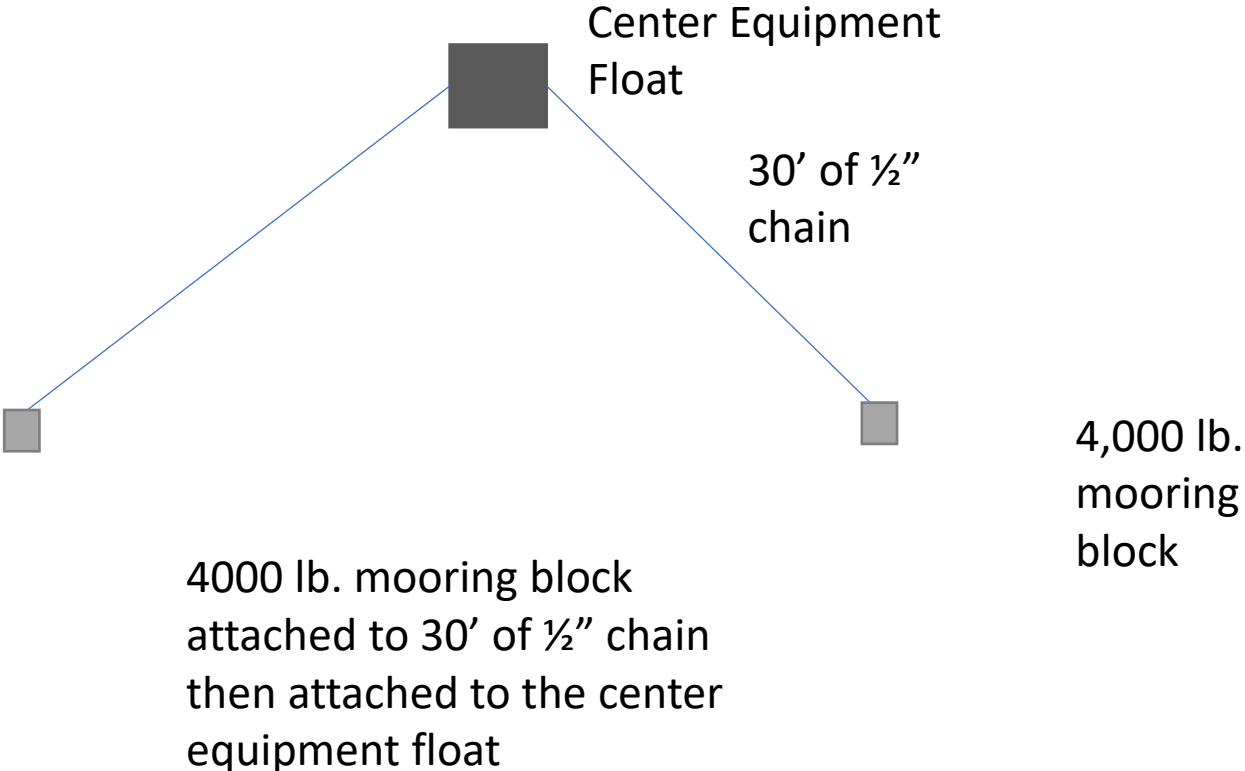
Name	Address	Lease Acronym	Acreage
Matthew Odlin	P.O. Box 10304 Portland, ME	MID GIx2	3.28 acres
Matthew Odlin	P.O. Box 10304 Portland, ME	MID WCx	3.2 acres

Please use additional sheets if necessary and attach to the application.

8. Has the corporation or any officer, director, member, or shareholder listed in item 5 above ever been arrested, indicted, convicted of, or adjudicated to be responsible for any violation of any marine resources or environmental protection law, whether state or federal?

Yes No

Cross Section View of Center Equipment float with mooring



Find address or place

1249.88 ft.

369.59 feet

MID Glx2

1265.85 feet

348.56 feet

Upper Goose Island

Measurement

Acres

Measurement Result

10.4 Acres

Clear

Press CTRL to enable snapping

POWERED BY esri

-70.038274 43.802695 Degrees

ESRI, SA, NGA, USGS, FEMA | Esri Community Maps Contributors

- Coordinates:
- 43.802698 -70.044199
- 43.801982 -70.043169
- 43.804305 -70.040208
- 43.805018 -70.041238

B. Maximum Structure and Mooring System Schematic

Directions: Include drawings of your maximum gear layout. Include units referenced (i.e. 10in, 10ft, etc.).

1. Overhead View. Please include the following and label as “Overhead View”:
 - Maximum layout of gear, including moorings.
 - Length and width of project.
 - Approximate spacing between gear.
 - Lease boundaries and the location of proposed corner markers and any additional gear markers that would be present.
2. Cross-Section View. Please include the following and label as “Cross-Section View”:
 - The sea bottom.
 - Profile of gear in cross-section as it will be deployed.
 - Label gear with dimensions and materials.
 - Show mooring gear with mooring type, scope, hardware, and line type and size.
 - Depth of gear in relation to the water’s surface at mean low water and mean high water (if applicable).

Note: Please include an additional Cross Section View, depicting the elements listed below, if there will be seasonal changes to gear layout (i.e. over wintering).



November 16, 2022

To Whom It May Concern:

This letter is to inform you that Matthew Odlin, Rick Caron and Justine Simon, from Goose Island Oysters, LLC, have a business checking account with Middlesex Federal Savings, the affiliated bank of Novo. Information regarding the account is as follows:

- Account title: Goose Island Oysters, LLC
- Authorized signers: Matthew Odlin, Rick Caron, Justine Simon
- Routing #: 211370150
- Account #: 100761536
- Business address: 2 Portland Fish Pier, Portland, ME - 04101
- Account opened: May 17, 2022

Please note that as of the date of this letter, this account is in good standing. Also, please note we are unable to change the format of our bank letters.

If you have any further questions, please do not hesitate to email me at edite@novo.co

Regards,

A handwritten signature in blue ink that reads "Edite Bettencourt".

Edite Bettencourt
Business Banking Manager
Middlesex Federal Savings, F.A.
Team Novo

CONFIDENTIALITY NOTICE: This communication is intended only for the use of the individual or entity to which it is addressed and contains or may contain information that is privileged, confidential or exempt from disclosure under applicable law. If the reader of this communication is not the intended recipient, you are hereby notified that any dissemination, distribution, or copying of this communication is strictly prohibited. If you have received this communication in error, please disregard and destroy this communication and do not disseminate or retain any copy of this communication.