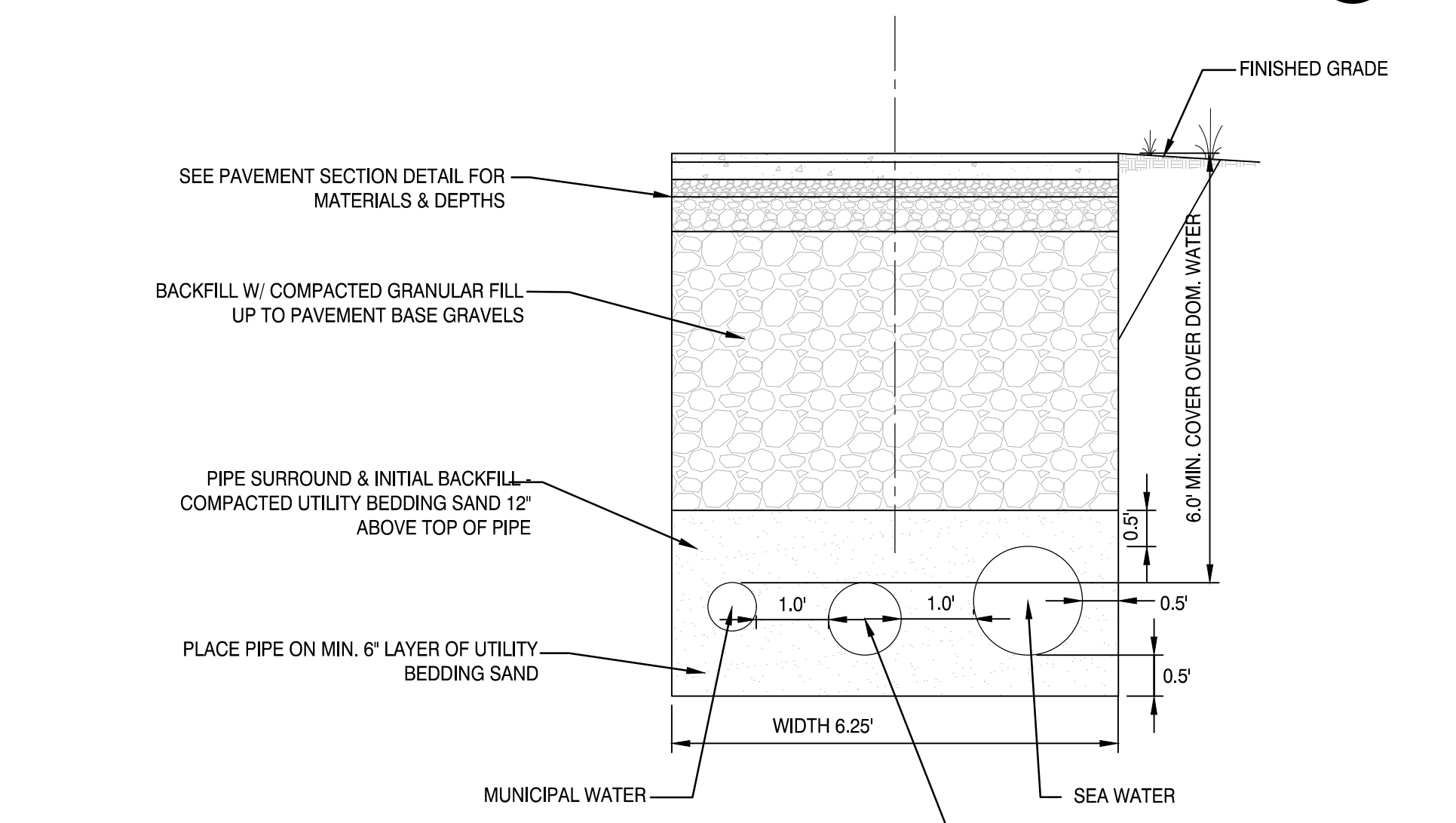
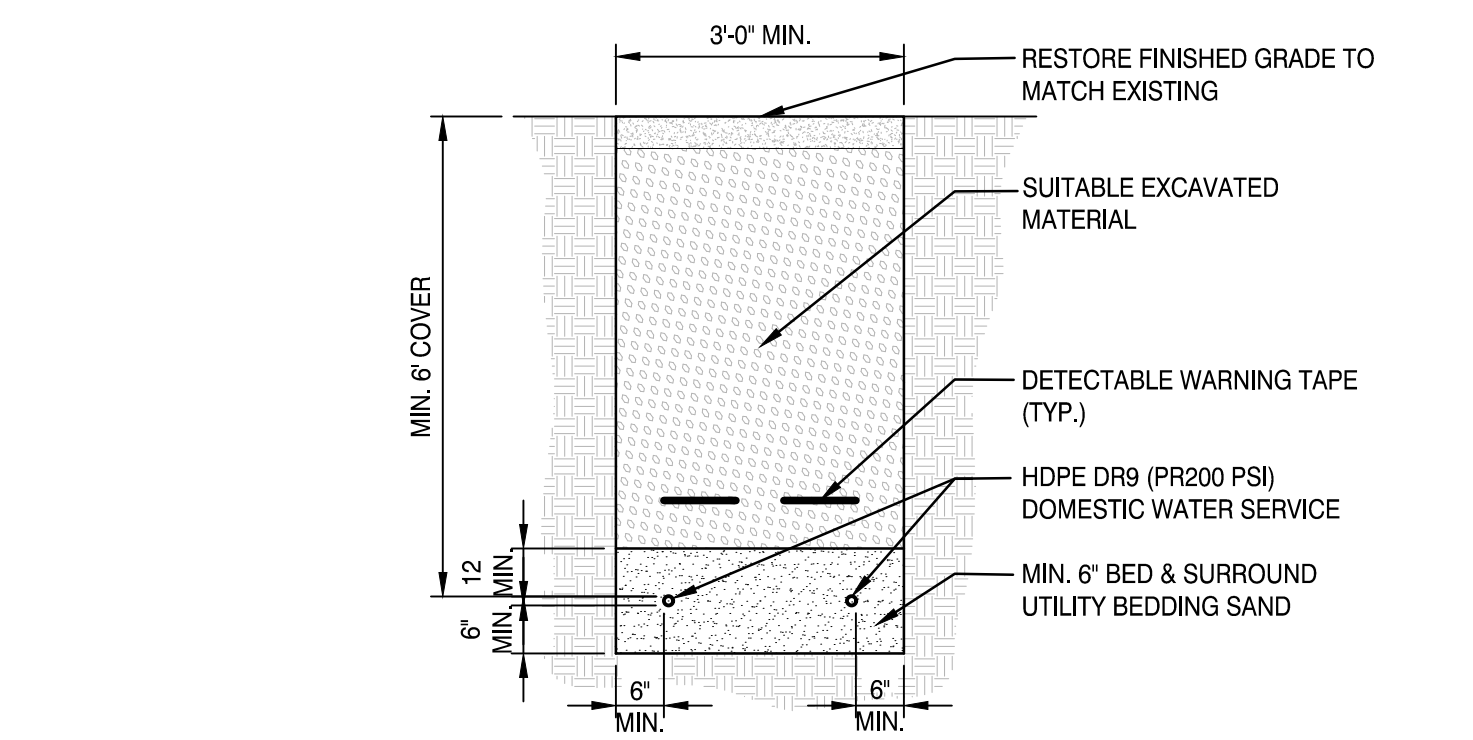


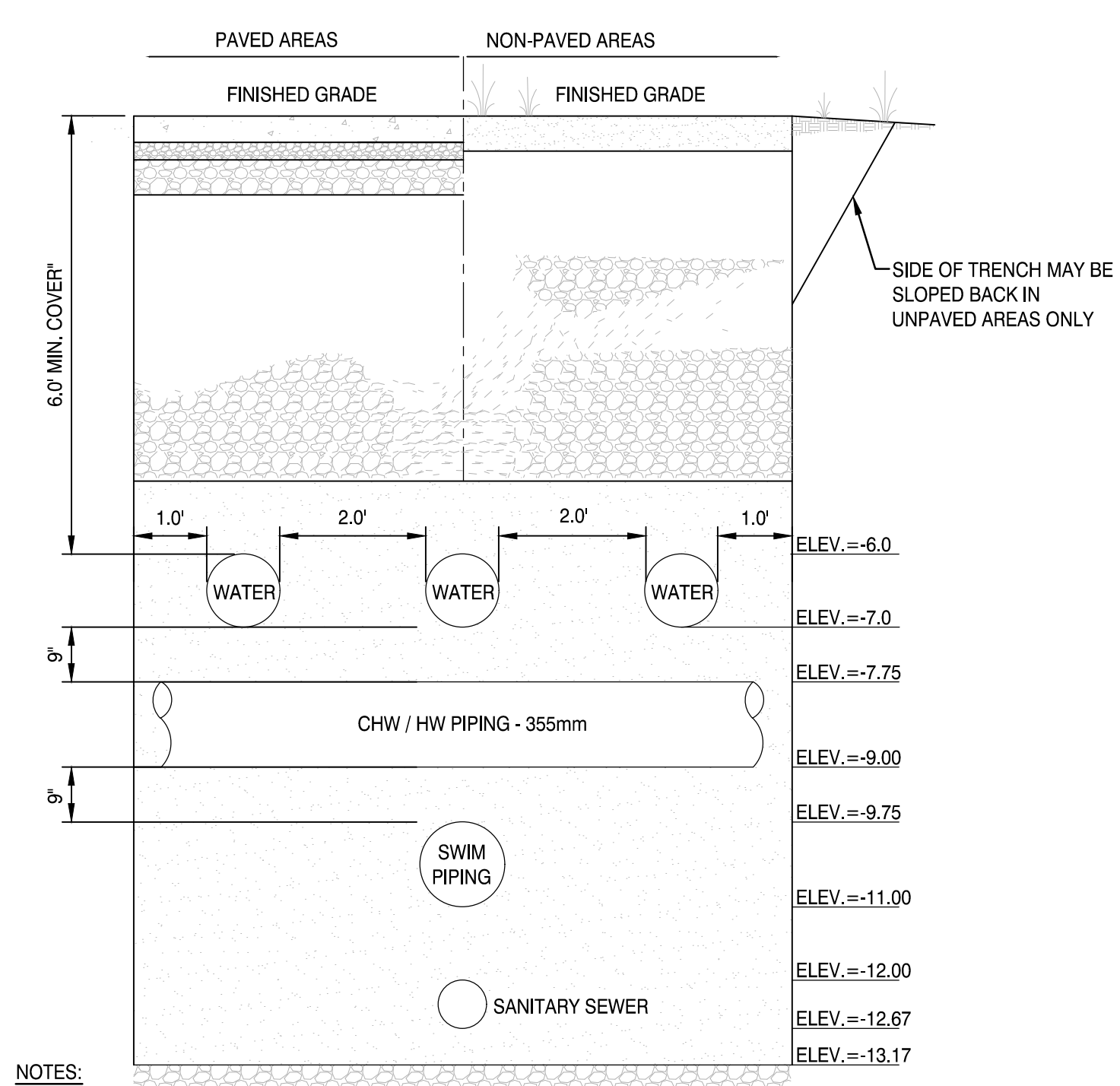
COMBINED WATER PIPE TRENCH (E9)
NOT TO SCALE



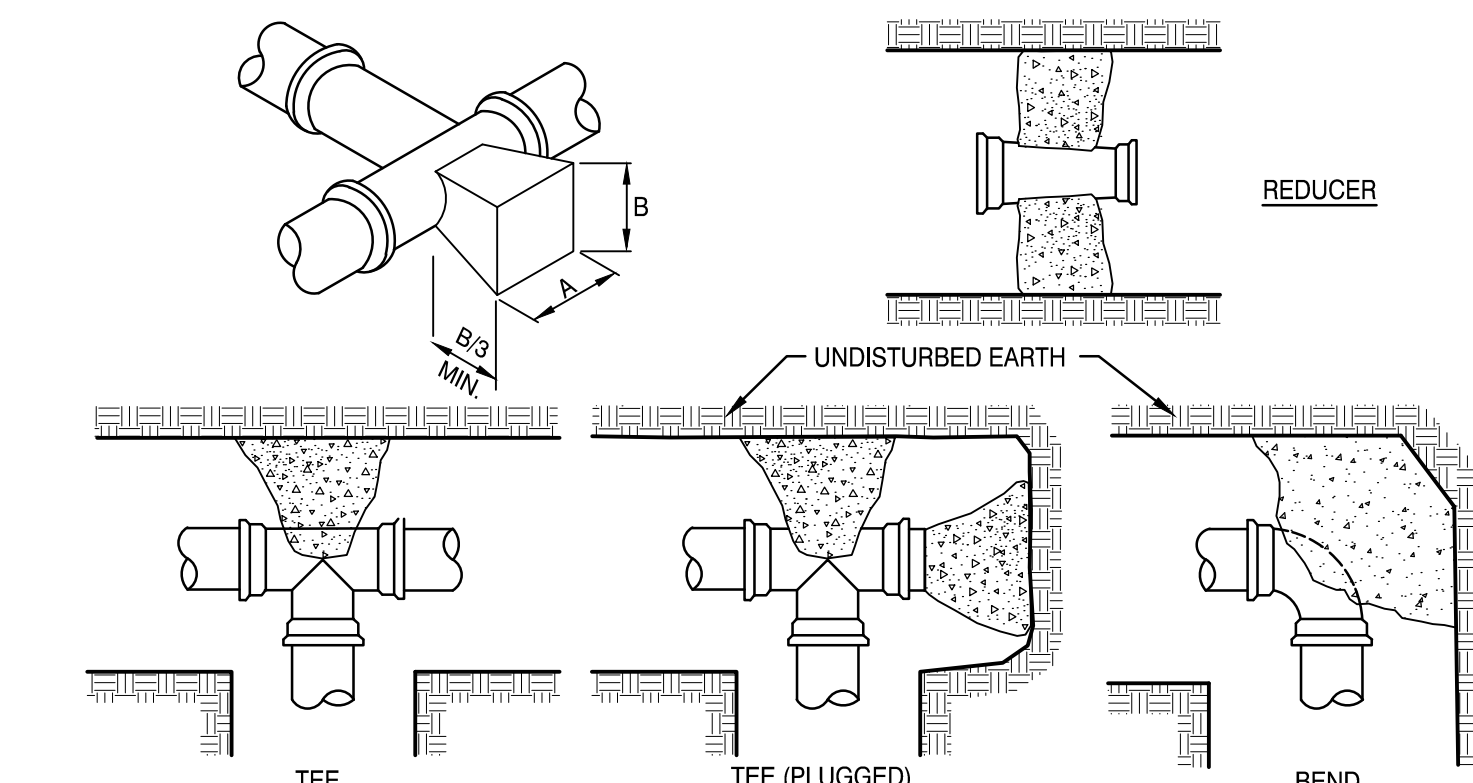
COMBINED WATER PIPE TRENCH (A9)
NOT TO SCALE



WATER SERVICE TRENCH (J4)
NOT TO SCALE



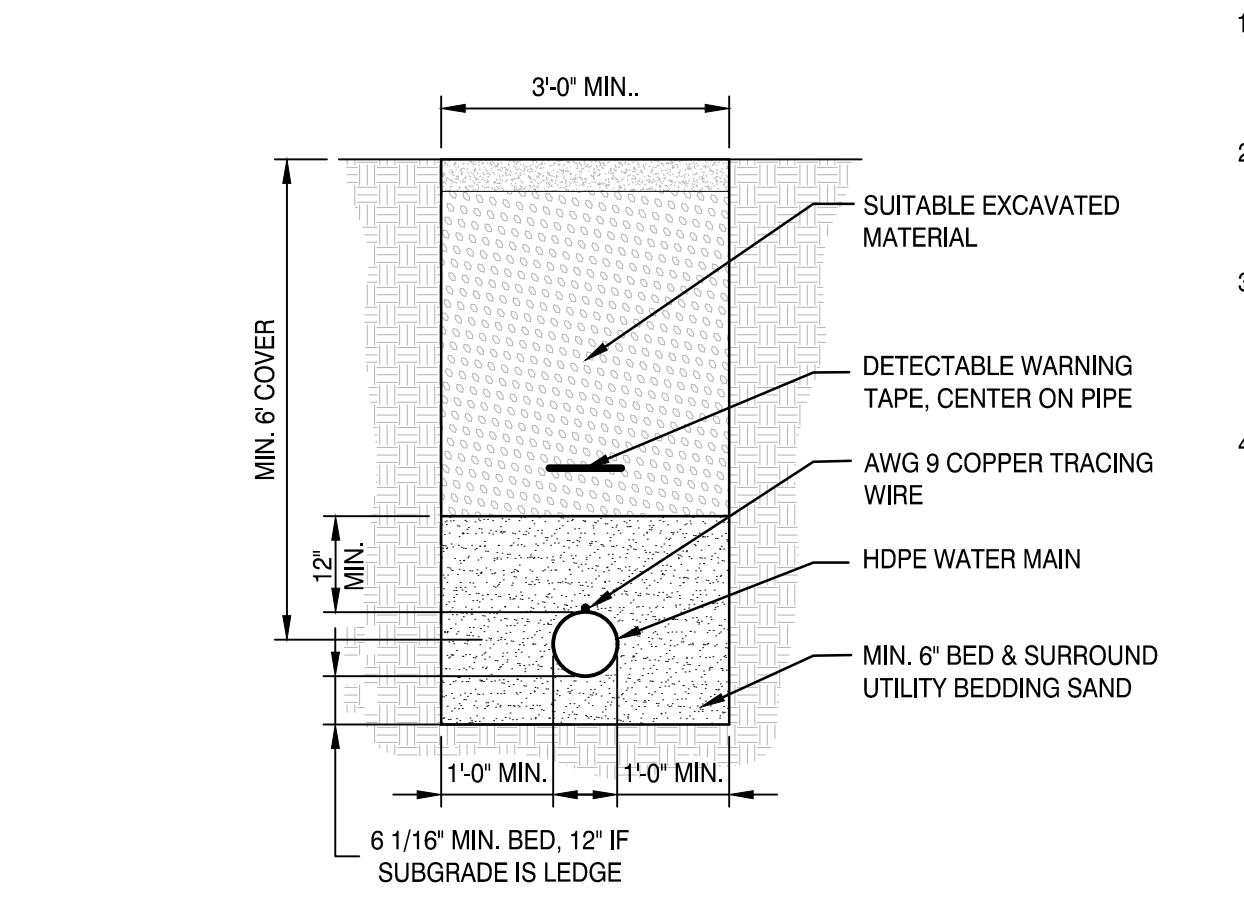
TYPICAL UTILITY COORDINATION DETAIL (E4)
NOT TO SCALE



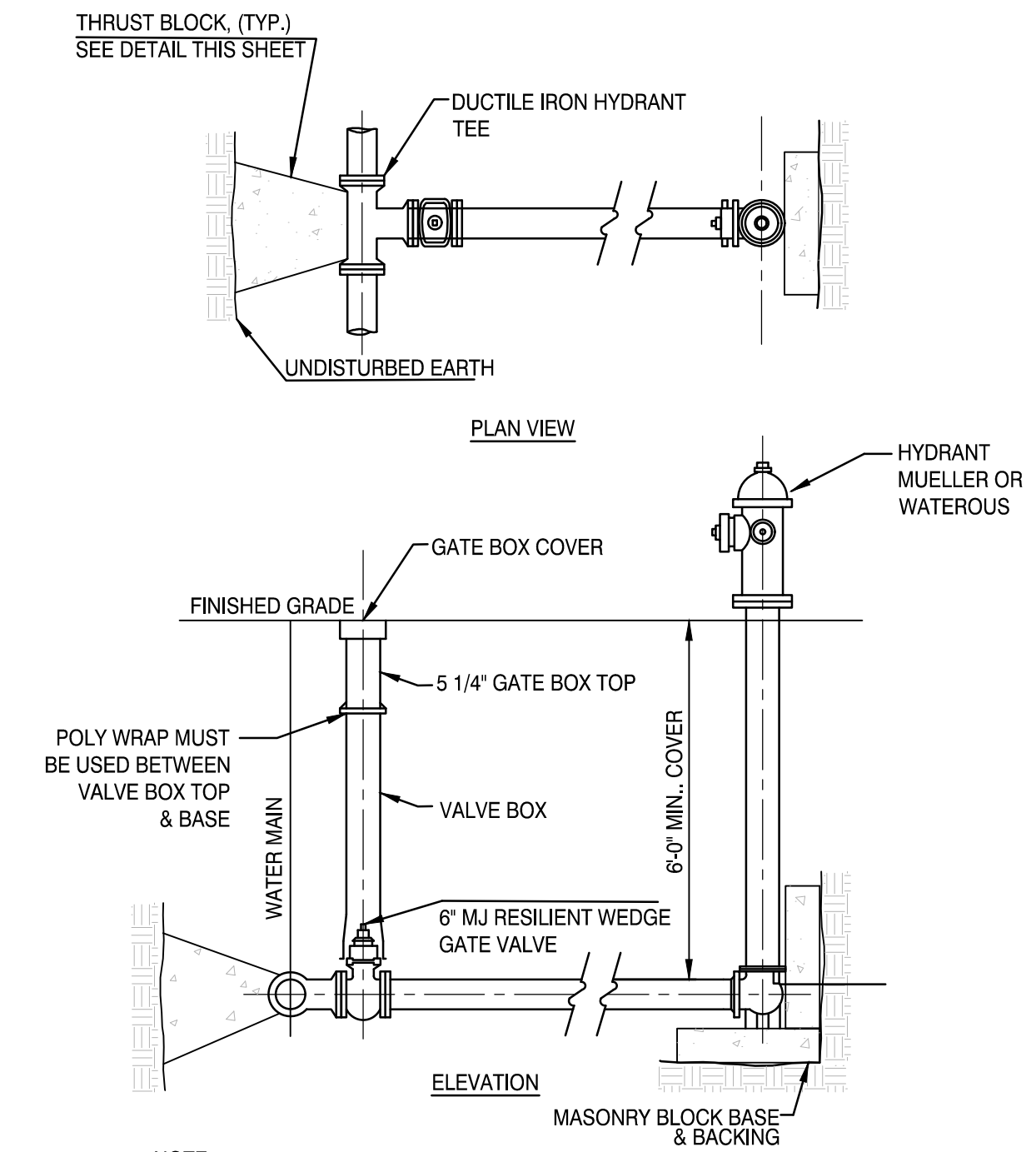
FITTING SIZES	TEES & PLUGS				90° BEND		45° BEND & WYE		REDUCER, 11 1/4" & 22 1/2" BENDS	
	A	B	A	B	A	B	A	B	A	B
6"	2'-0"	1'-11"	2'-5"	2'-2"	1'-10"	1'-7"	1'-9"	0'-10"		
8"	2'-8"	2'-6"	3'-2"	3'-0"	2'-5"	2'-1"	1'-9"	1'-6"		
12"	4'-0"	3'-10"	4'-8"	4'-8"	3'-8"	3'-3"	2'-7"	2'-3"		

- DIMENSIONS ARE BASED ON 150 PSI WATER PRESSURE AND 2000 PSF SOIL BEARING CAPACITY.
- ALL THRUST BLOCKS SHALL BE CAST USING PLYWOOD FORMS SUCH THAT NO MJ FITTINGS ARE COVERED.
- WEDGE ACTION MJ RETAINER GLANDS TO BE USED AT ALL FITTINGS IN CONJUNCTION WITH THRUST BLOCKS.

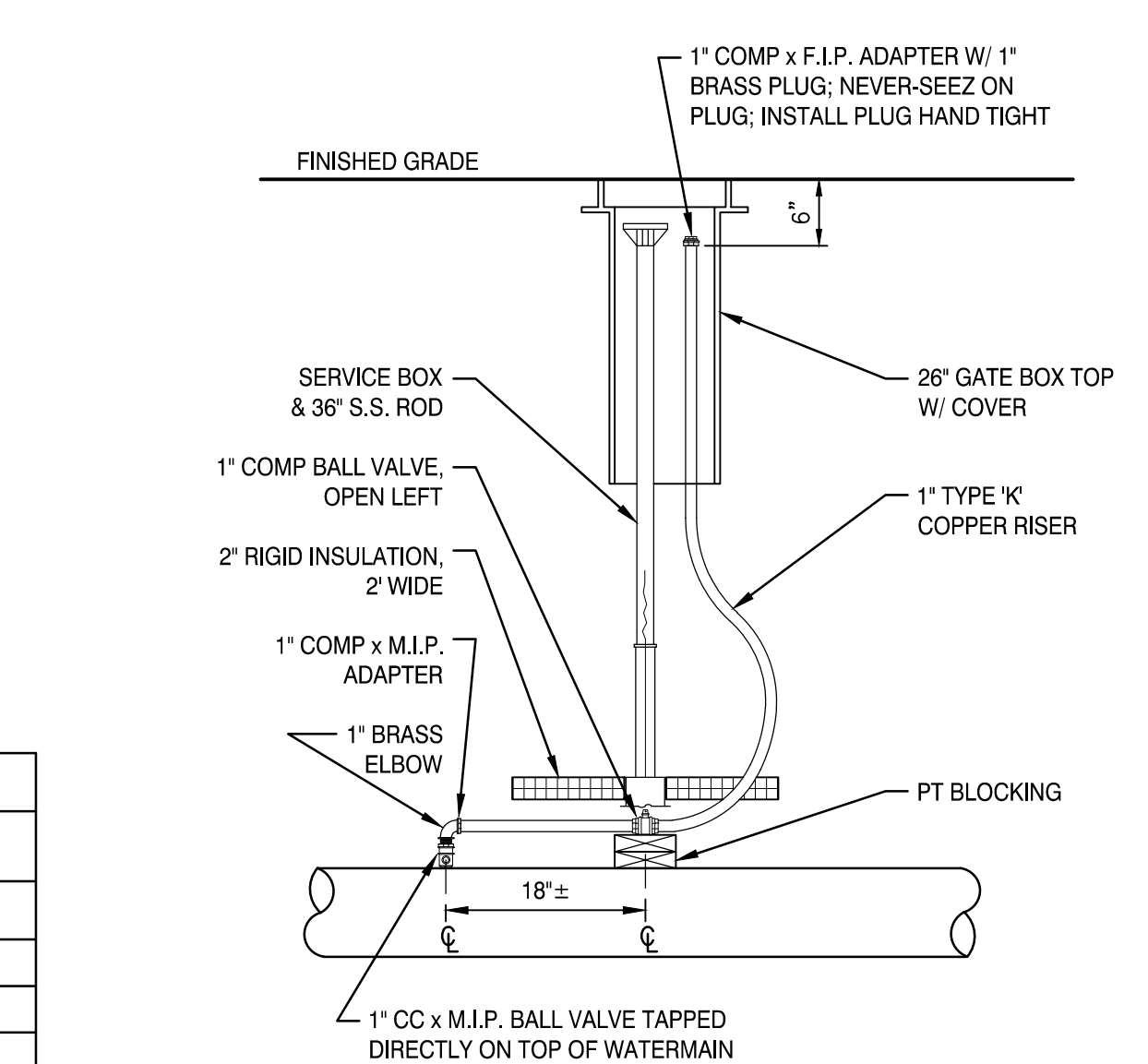
WATER MAIN THRUST BLOCKS (A4)
NOT TO SCALE



WATER MAIN TRENCH (J1)
NOT TO SCALE



FIRE HYDRANT (E1)
NOT TO SCALE



AIR RELEASE VALVE (A1)
NOT TO SCALE

- WATER SERVICE NOTES:**
- ALL HDPE WATER MAIN PIPING SHALL MEET AWWA C906. DETECTABLE WARNING TAPE SHALL BE INSTALLED ALONG TOP ALL PLASTIC PIPING.
 - ALL FITTINGS SHALL MEET AWWA C110. AND SHALL BE CEMENT LINED IN ACCORDANCE WITH AWWA C104. WITH A MINIMUM PRESSURE RATING OF 250PSI.
 - GATE VALVES SHALL BE IRON BODY BRONZE MOUNTED RESILINET SEAT, NON-RISING STEM IN ACCORDANCE WITH AWWA C509. VALVES SHALL OPEN LEFT AND SHALL BE MUELLER A2370-20 OR EQUAL.
 - HYDRANT BRANCHES SHALL BE CONSTRUCTED USING CLASS 52 DUCTILE IRON TO AWWA C-151/A21.51.96. JOINTS TO AWWA C-111.

REV	DESCRIPTION	DATE

ISSUED FOR PERMIT

CURRENT ISSUE STATUS:

TRUE NORTH:

SMRT Architects and Engineers
144 Fore Street/P.O. BOX 618
Portland, Maine 04104
1.877.700.7678
www.smrinc.com

ARCHITECTURE | ENGINEERING | PLANNING | INTERIORS | ENERGY

RANSOM Consulting Engineers and Scientists
Ransom Consulting Engineers and Scientists
400 Commercial Street, Suite 400
Portland, Maine 04101

NORDIC AQUAFARMS
285 NORTHPORT AVENUE
BELFAST, MAINE

WATER UTILITY DETAILS

SHEET TITLE:

0 1/2" 1" 2" 3"

SCALE: AS SHOWN

PROJECT MANAGER: ADB PROJECT NO: 18076

A/E OF RECORD: ADJ

JOB CAPTAIN: SP

DRAWN BY: WSM

SMRT FILE: CU502-18076 SHEET No. CU502

NOT FOR CONSTRUCTION