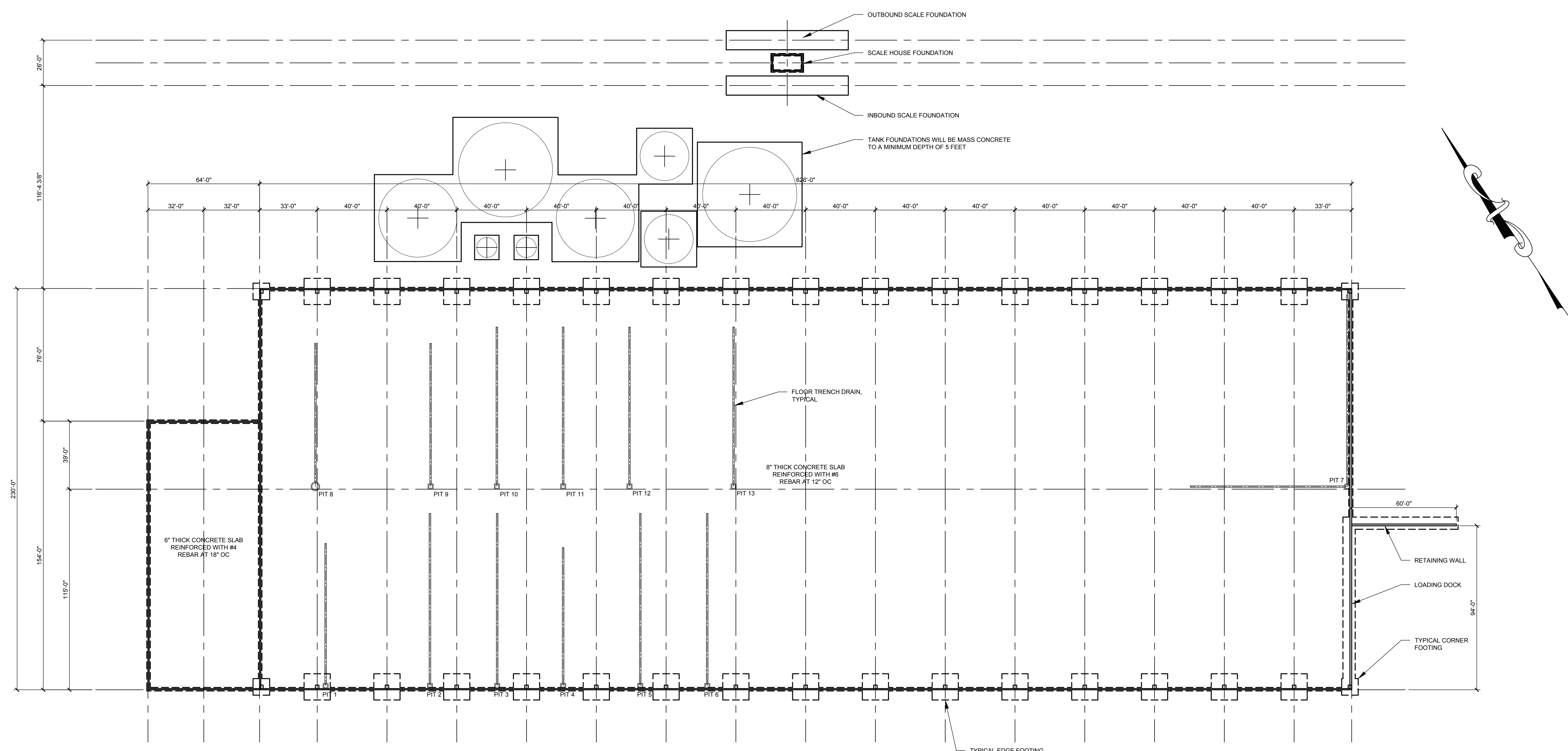


P:\11305\FIBERIGHT\001-SOLID WASTE FACILITY\SP15-CAD_DRAWINGS\STRUCTURAL\11305-01-FOUNDATION.DWG 12/10/15 3:22 PM



FOUNDATION PLAN
SCALE: 1/32" = 1'-0"

CES INC
Engineers • Environmental Scientists • Surveyors

Warrenville
44 Main Street
Warrenville, ME
T. 207-680-2202
F. 207-680-2204

Presque Isle
549 Main Street
Presque Isle, ME
T. 207-756-8412
F. 207-756-8414

Bar Harbor
Bar Harbor Hwy 102
64 Doble Street
PO Box 487
Bar Harbor, ME
T. 207-256-5370
F. 207-256-5388

Brewer
465 South Main Street
Brewer, ME
T. 207-689-4824
F. 207-689-4881

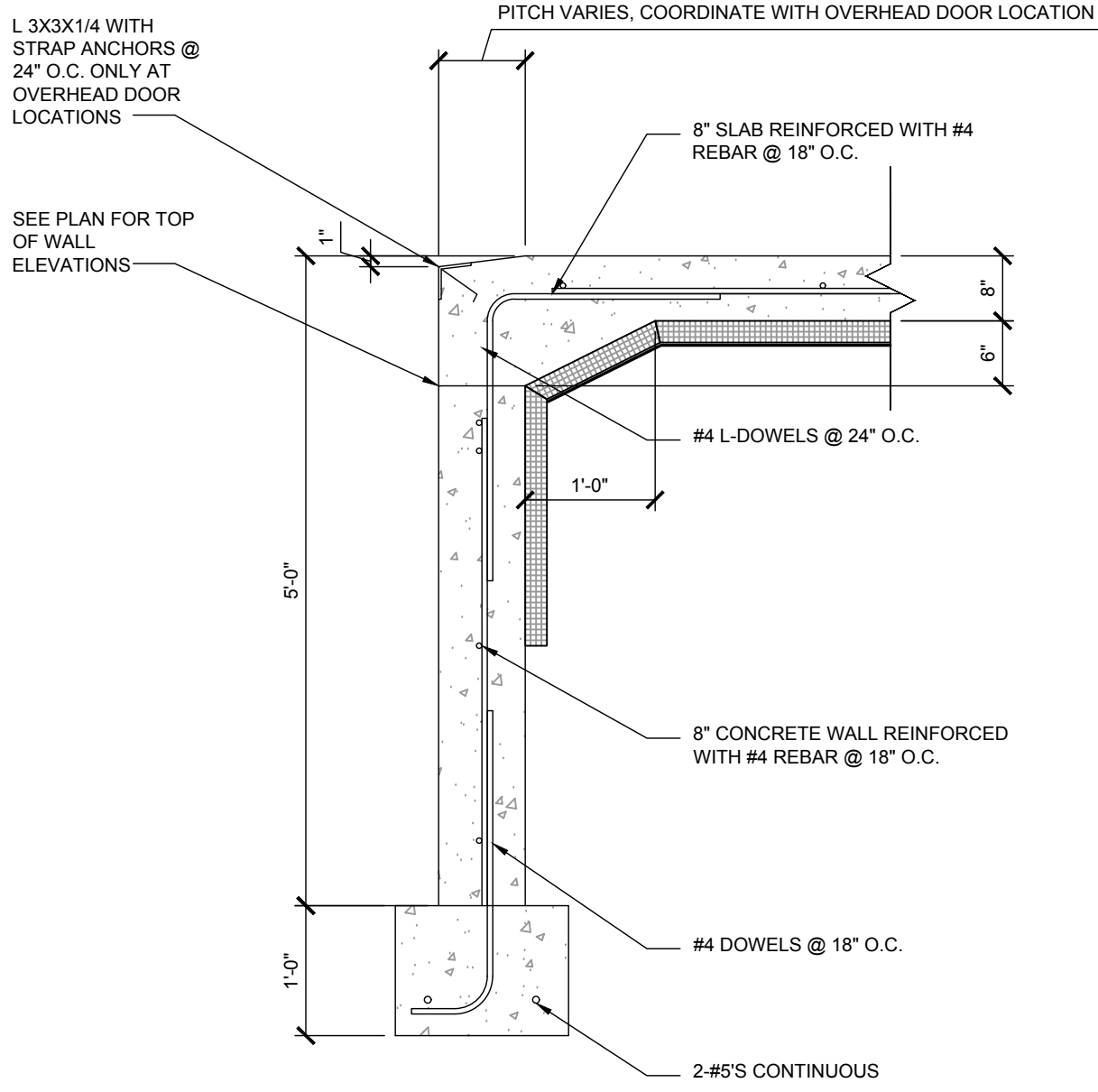
PROJECT TITLE
**MRC / FIBERIGHT WASTE PROCESSING FACILITY
HAMPDEN, MAINE**

SHEET TITLE
PRELIMINARY FOUNDATION PLAN

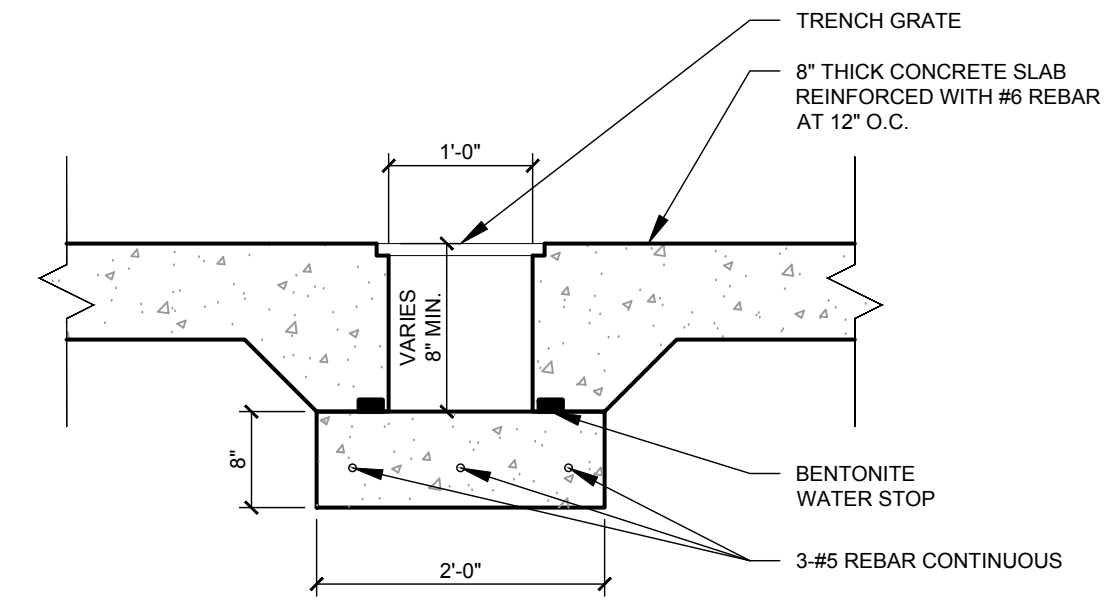
REV	DESCRIPTION	DATE	DRAWN BY	CHECKED BY

PRELIMINARY

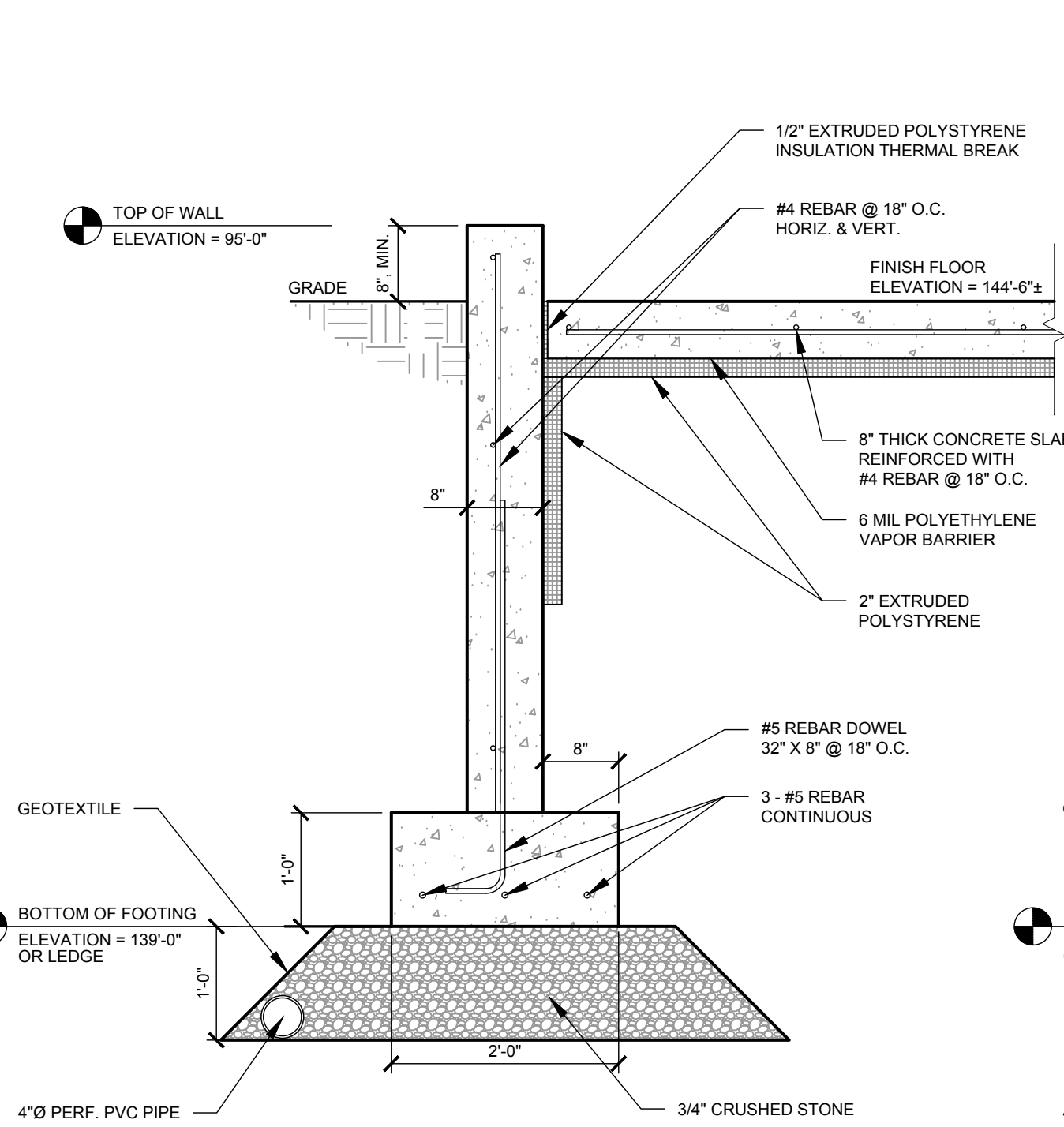
SCALE: AS INDICATED
DATE: 11/13/2015
DESIGNED BY: CWS
CHECKED BY: CWS
APPROVED BY: CWS
JOB NUMBER: 11293.001
DRAWING NUMBER: **S101**



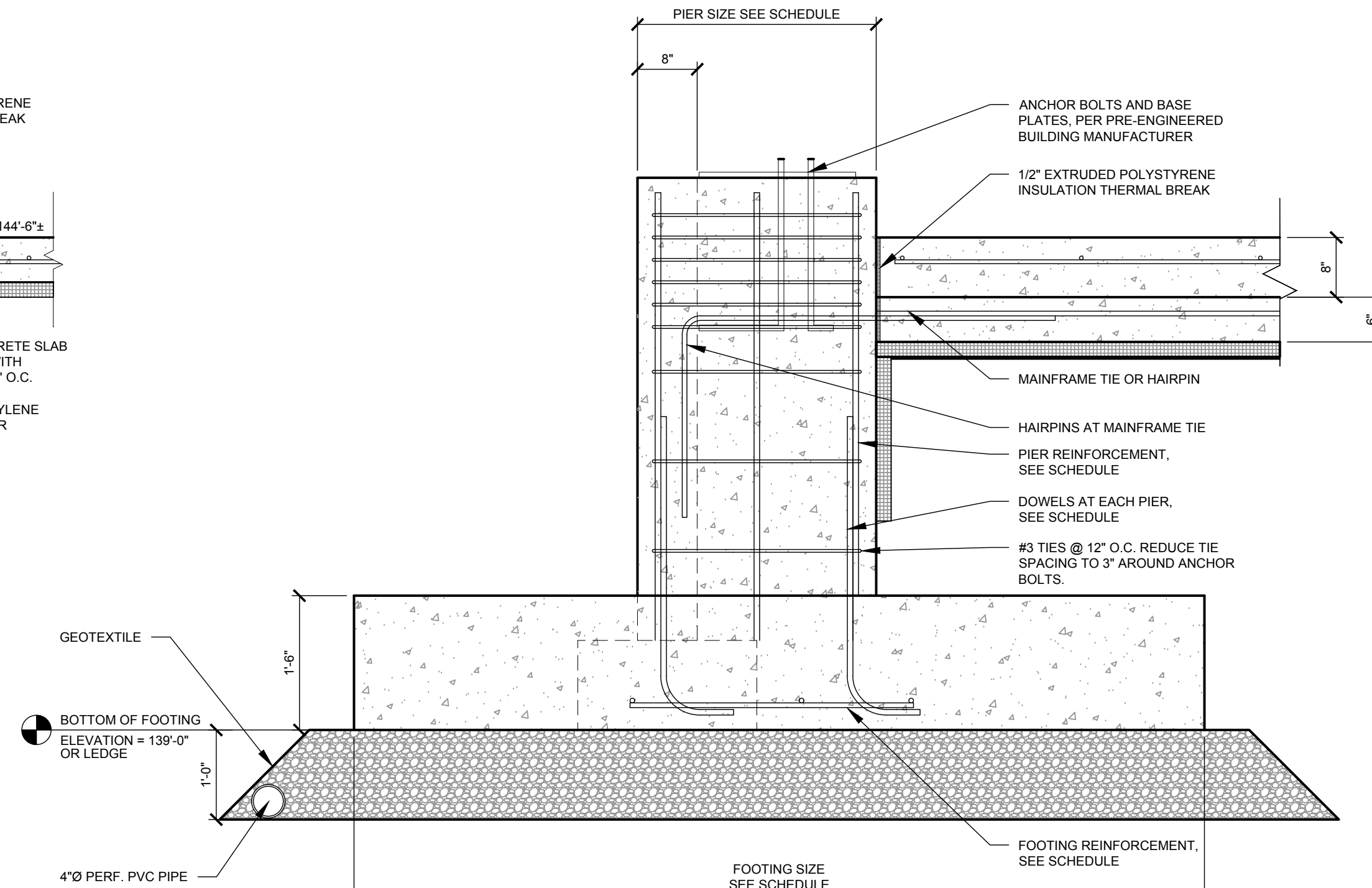
FOUNDATION WALL SECTION AT DOORS
SCALE: 3/4" = 1'-0"



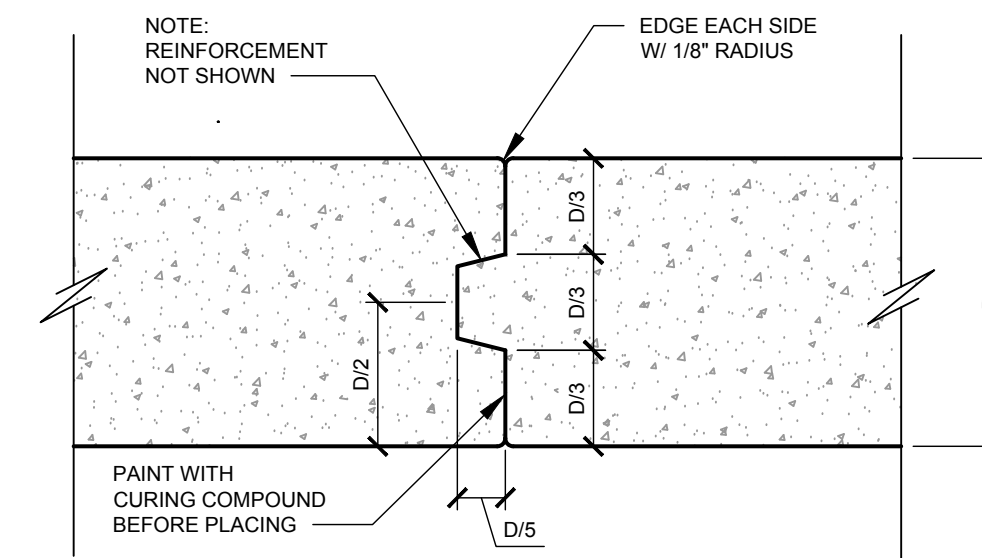
TRENCH DRAIN DETAIL
SCALE: 3/4" = 1'-0"



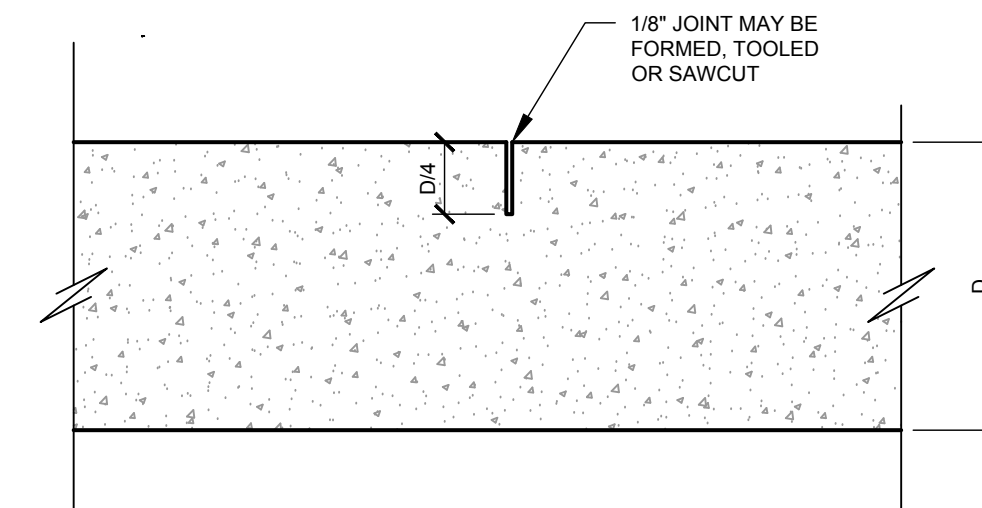
TYPICAL FOUNDATION WALL SECTION
SCALE: 3/4" = 1'-0"



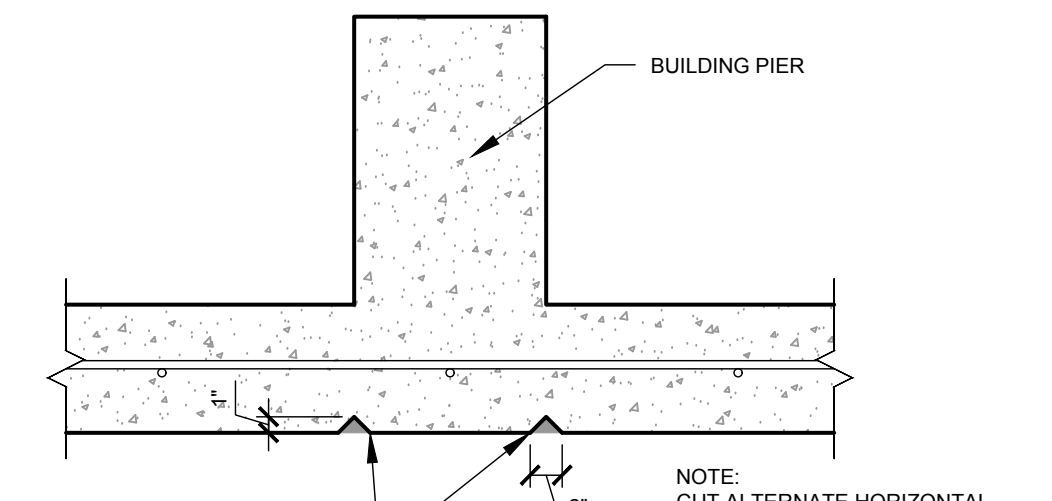
TYPICAL PIER AND FOOTING DETAIL
SCALE: 3/4" = 1'-0"



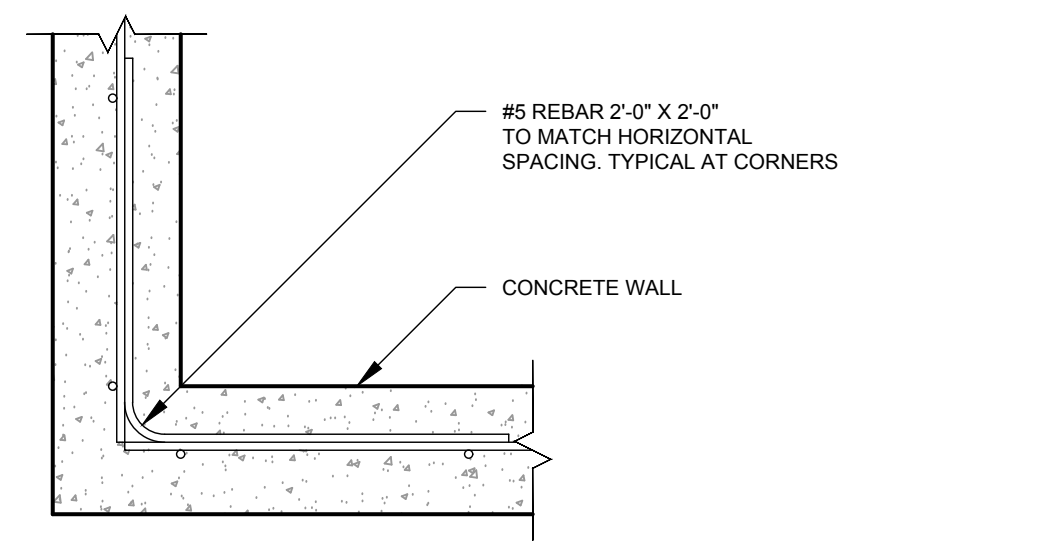
CONSTRUCTION JOINT DETAIL
NOT TO SCALE



CONTROL JOINT DETAIL
NOT TO SCALE



TYPICAL CONTROL JOINT DETAIL
SCALE: 1" = 1'-0"



TYPICAL WALL CORNER DETAIL
SCALE: 1" = 1'-0"

FOUNDATION GENERAL NOTES:

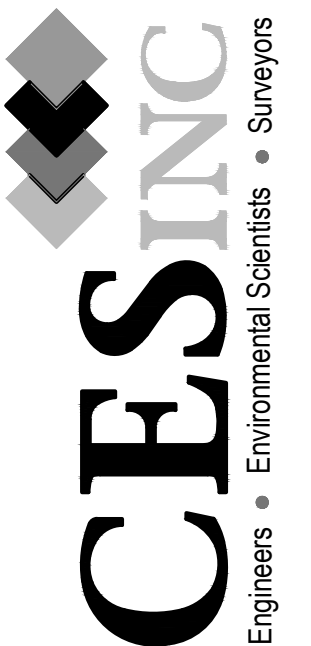
- FOUNDATION DESIGN BASED ON AN ALLOWABLE BEARING CAPACITY OF 3,500 PSF AS RECOMMENDED IN "EXPLORATIONS AND GEOTECHNICAL SERVICES" REPORT PREPARED BY S.W. COLE ENGINEERING, INC. ON AUGUST 17, 2015, AND PRELIMINARY BUILDING REACTIONS CALCULATED IN-HOUSE. FOUNDATION PLAN AND DETAILS TO BE UPDATED WHEN PRE-ENGINEERED METAL BUILDING PACKAGE IS COMPLETED.
- FOUNDATION SUBGRADE AND BACKFILL SHALL BE PREPARED AND INSTALLED IN ACCORDANCE WITH REPORT PREPARED BY S.W. COLE ENGINEERING, INC.
- FROST DEPTH IS ASSUMED TO BE 5 FEET 0 INCHES BELOW GRADE.
- ALL 1" ANCHOR BOLTS TO BE 15" LONG WITH 3 1/2" HOOK, 3" THREAD, AND 3" PROJECTION. ALL 3/4" ANCHOR BOLTS TO BE 9" LONG WITH 3" HOOK, 3" THREAD, AND 3" PROJECTION.
- ALL SPLICES FOR THE MAIN FRAME TIES TO BE WELDED.
- FOUNDATION DRAIN SYSTEM
 - PIPE MATERIAL PER MDOT SECTION 706.06
 - CRUSHED STONE PER MDOT TYPE C
 - GEOTEXTILE FABRIC PER MDOT SECTION 722.02
- JOINT SEALANT
 - POLYURETHANE, ASTM C920
 - GRADE P, CLASS 2S
 - SINGLE COMPONENT
- COORDINATE WITH OWNER FOR ANY REQUIRED BONDOUTS IN FOUNDATION FOR OTHER TRADES.

Walpole
44 Main Street
Walpole, ME
T. 207-680-2202
F. 207-680-2204

Presque Isle
549 Main Street
Presque Isle, ME
T. 207-756-8412
F. 207-756-8414

Brewer
465 South Main Street
Brewer, ME
T. 207-589-4824
F. 207-589-4821

Bar Harbor
611 DeLisle Street
PO Box 487
Bar Harbor, ME
T. 207-256-5370
F. 207-256-5387



PROJECT TITLE
**MRC / FIBERIGHT WASTE PROCESSING FACILITY
HAMPDEN, MAINE**

SHEET TITLE
PRELIMINARY FOUNDATION DETAILS

REV	DESCRIPTION	DATE	DRAWN BY	CHECKED BY

PRELIMINARY

SCALE: AS INDICATED
DATE: 11/13/2015
DRAWN BY: CWS
DESIGNED BY: CWS
JOB NUMBER: 11293.001
DRAWING NUMBER:

P:\11293\FIBERIGHT\001-SOLID WASTE FACILITY\CAD\DRAWINGS\STRUCTURAL\11293-001-FOUNDATION.DWG, 12/10/15 3:22 PM