

Fiberight
 FIBERIGHT LLC
 3rd Street
 Hampden, MAINE

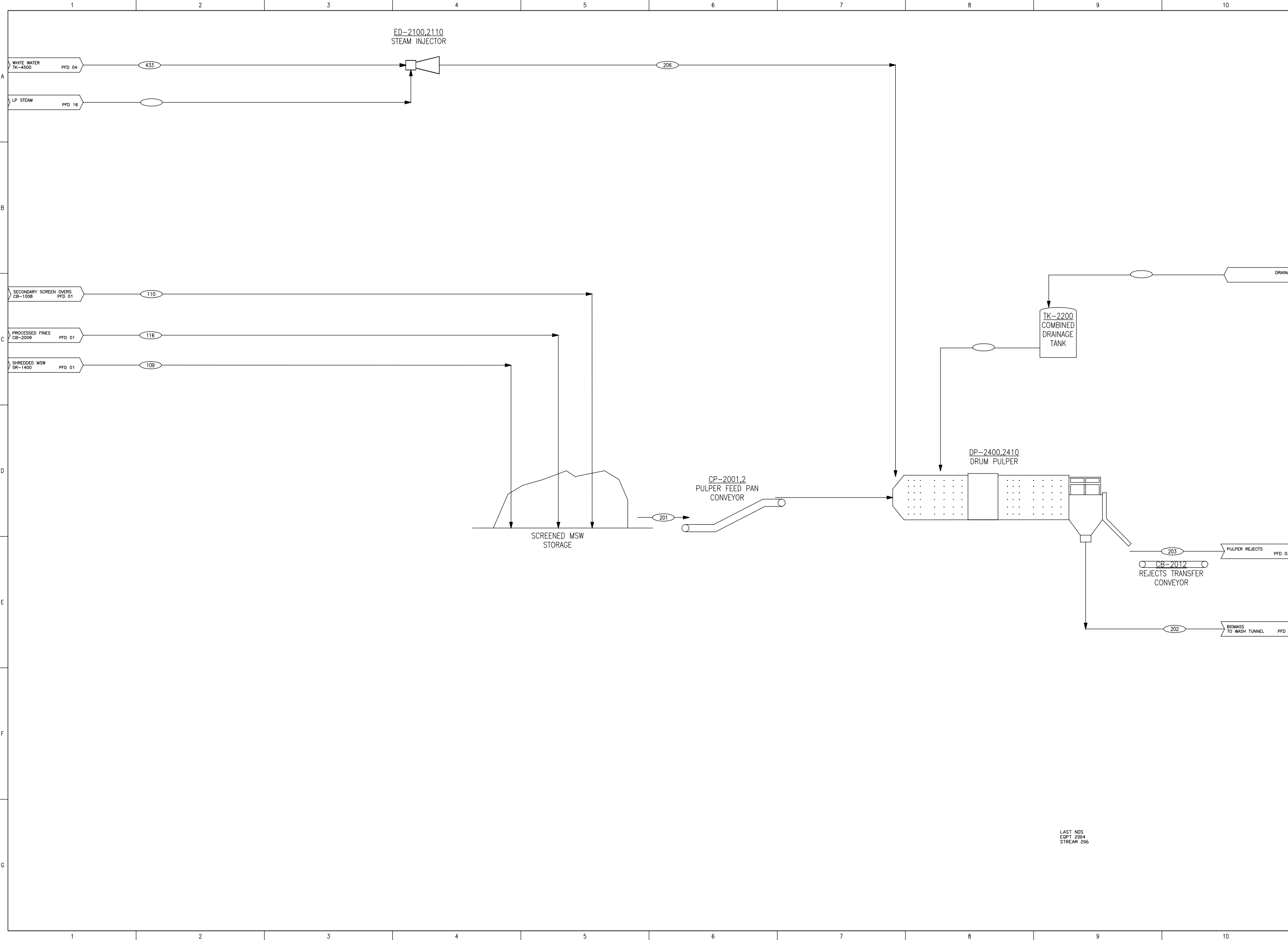
© Fiberight
 2015
 All Rights Reserved

REV	DATE	DESCRIPTION	DRAWN	REVIEW	APPROV

PROJECT NO: 1501
 DESIGNED BY:
 DRAWN BY: AKO
 REVIEWED BY:
 PLOT SCALE: N/A
 PLOT DATE: 09DEC15

PRIMARY SORTING
 PROCESS FLOW
 DIAGRAM

PFD-01



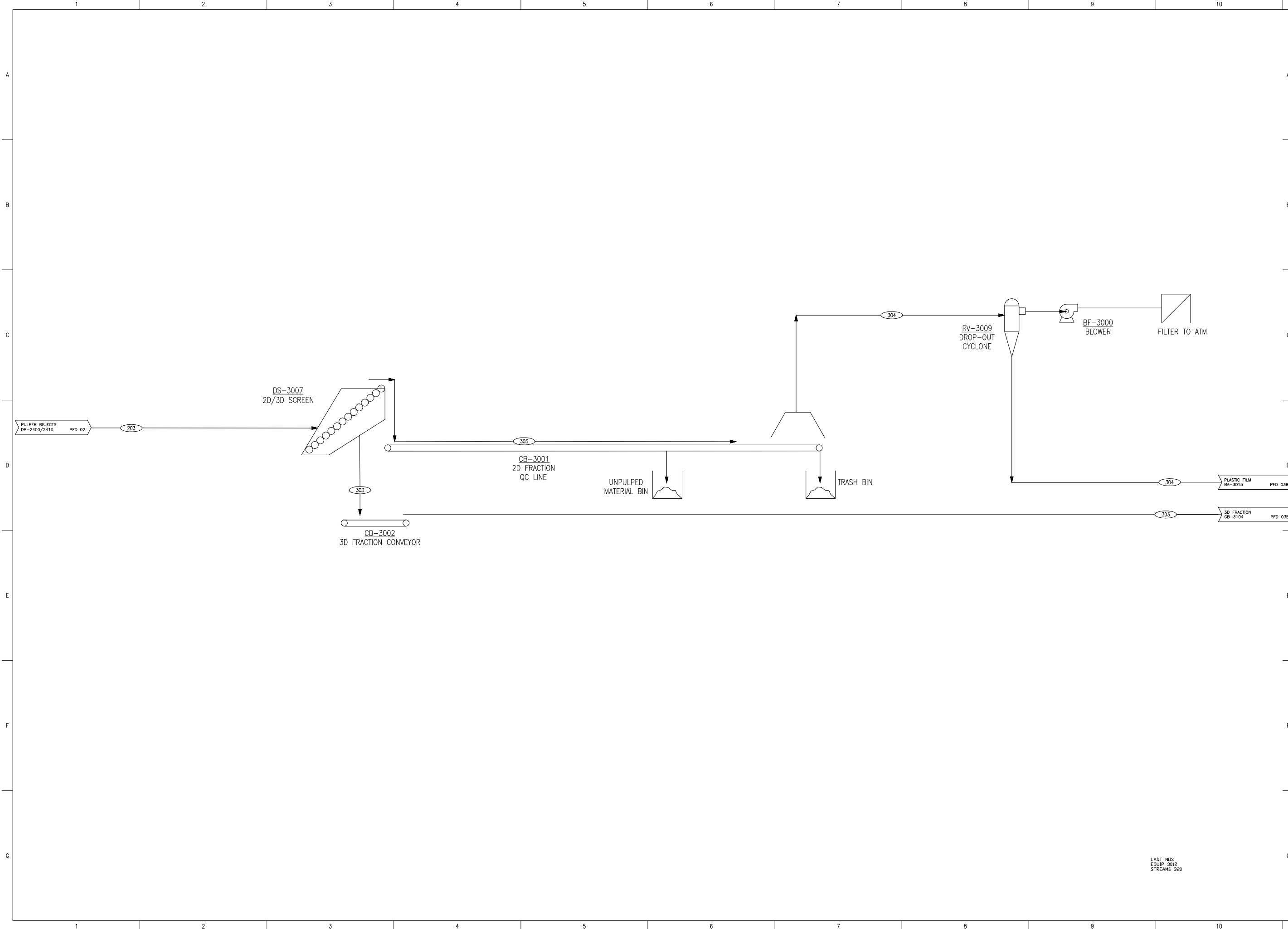
© Fiberight
 2015
 All Rights Reserved

REV	DATE	DESCRIPTION	DRAWN	REVIEW	APPROV

PROJECT NO: 1501
 DESIGNED BY:
 DRAWN BY: AKO
 REVIEWED BY:
 PLOT SCALE: N/A
 PLOT DATE: 09DEC15

PULPING
 PROCESS FLOW
 DIAGRAM

PFD-02

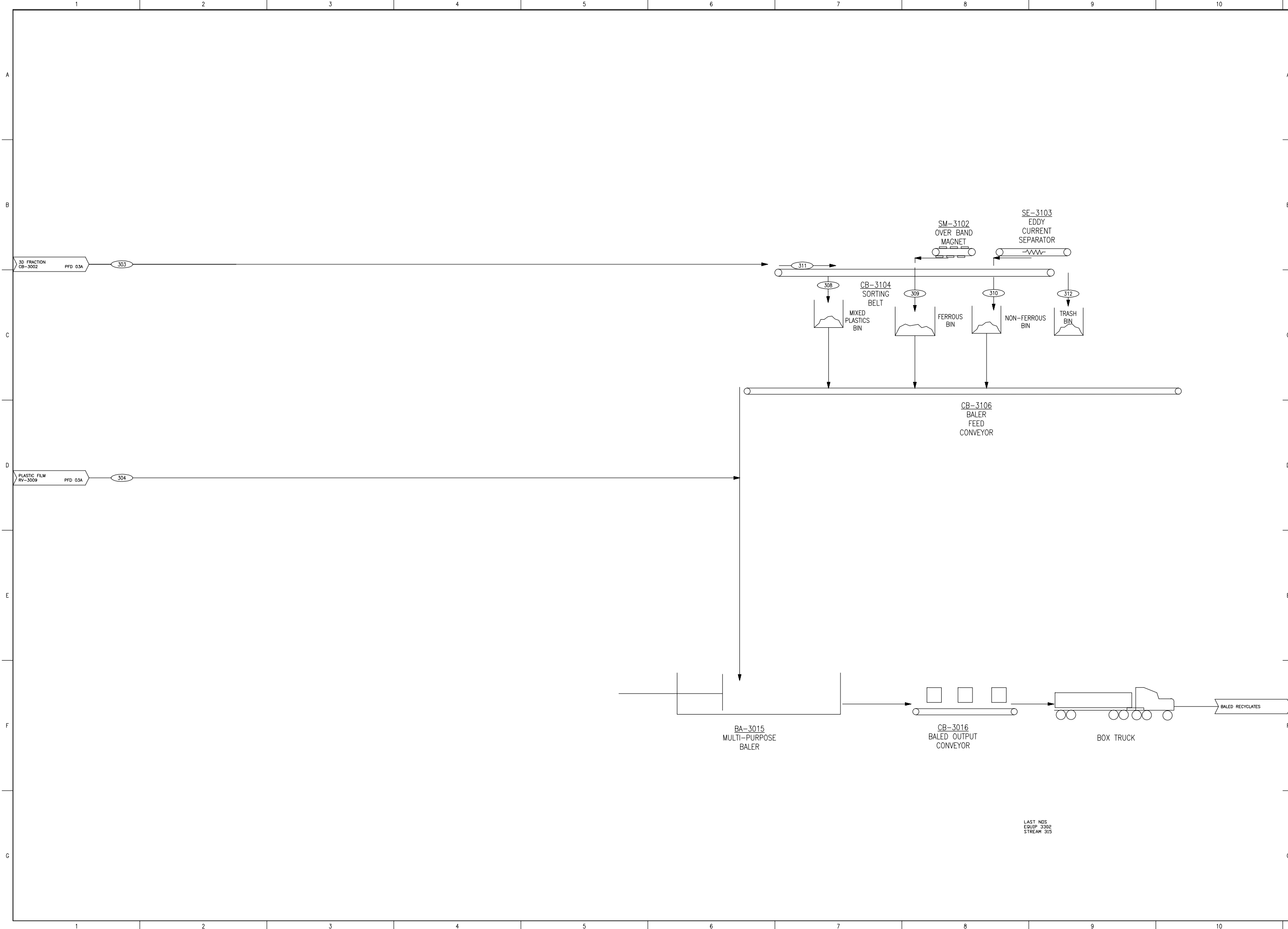


REV	DATE	DESCRIPTION	DRAWN	REVIEW	APPROV

PROJECT NO: 1501
 DESIGNED BY:
 DRAWN BY: AKO
 REVIEWED BY:
 PLOT SCALE: N/A
 PLOT DATE: 09DEC15

SECONDARY
 SORTING PART A
 PROCESS FLOW
 DIAGRAM

LAST NDS
 EQUIP 3012
 STREAMS 320



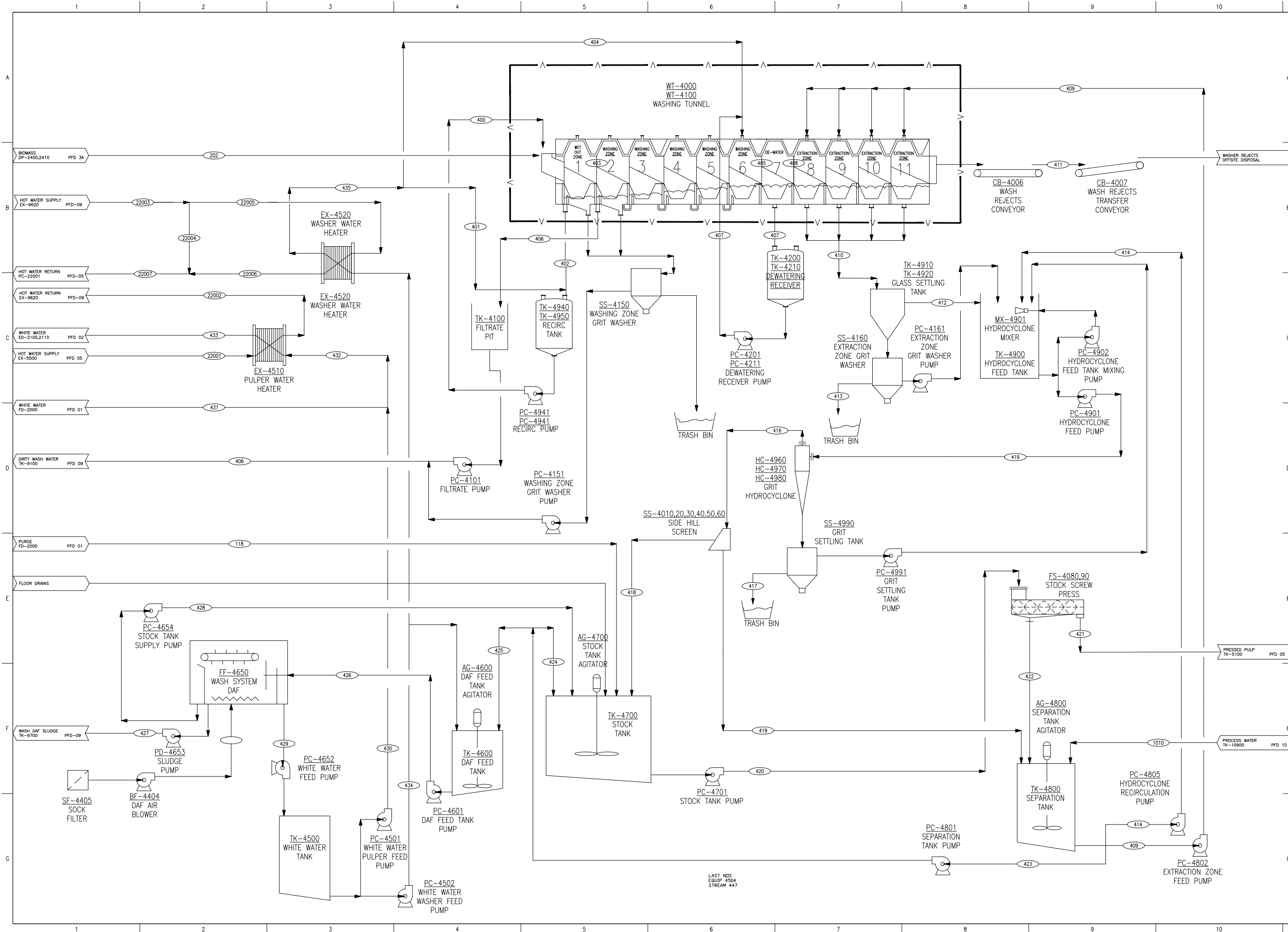
© Fiberight
 2015
 All Rights Reserved

REV	DATE	DESCRIPTION	IN DEVELOPMENT	NOT FOR ISSUE	DRAWN	REVIEW	APPROV

PROJECT NO: 1501
 DESIGNED BY:
 DRAWN BY: AKO
 REVIEWED BY:
 PLOT SCALE: N/A
 PLOT DATE: 09DEC15

SECONDARY
 SORTING PART B
 PROCESS FLOW
 DIAGRAM

PFD-03B



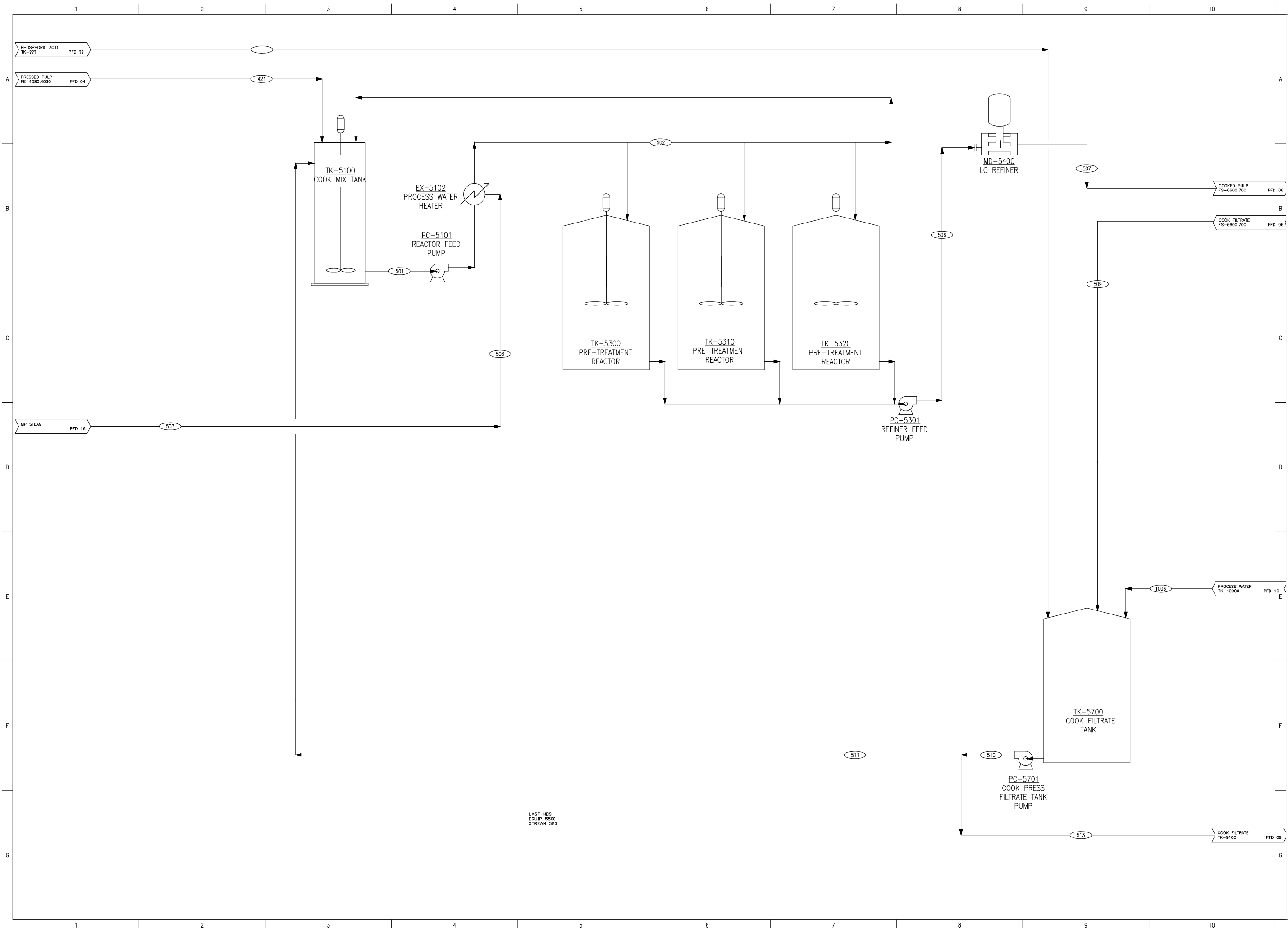
© Fiberight
 2015
 All Rights Reserved

REV	DATE	DESCRIPTION	DRAWN	REVIEW	APPROV

PROJECT NO: 1501
 DESIGNED BY: AKO
 DRAWN BY: AKO
 REVIEWED BY:
 PLOT SCALE: N/A
 PLOT DATE: 09DEC15

WASHING PROCESS FLOW DIAGRAM

PFD-04



Fiberight
 FIBERIGHT LLC
 3rd Street
 Hampden, MAINE

© Fiberight
 2015
 All Rights Reserved

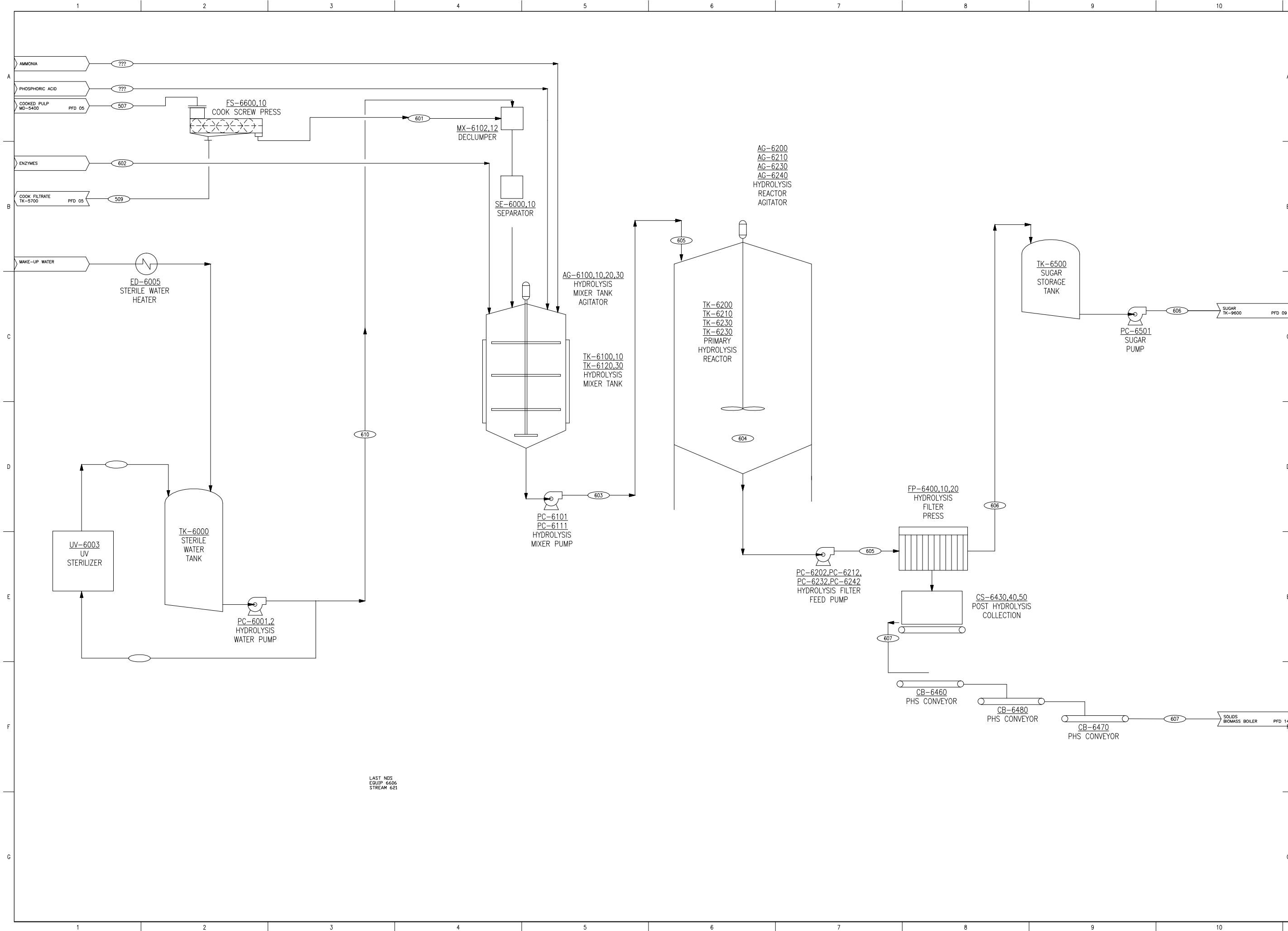
REV	DATE	DESCRIPTION	IN DEVELOPMENT	NOT FOR ISSUE	DRAWN	REVIEW	APPROV

PROJECT NO: 1501
 DESIGNED BY:
 DRAWN BY: AKO
 REVIEWED BY:

PLOT SCALE: N/A
 PLOT DATE: 09DEC15

PRE-TREATMENT
 PROCESS FLOW
 DIAGRAM

PFD-05



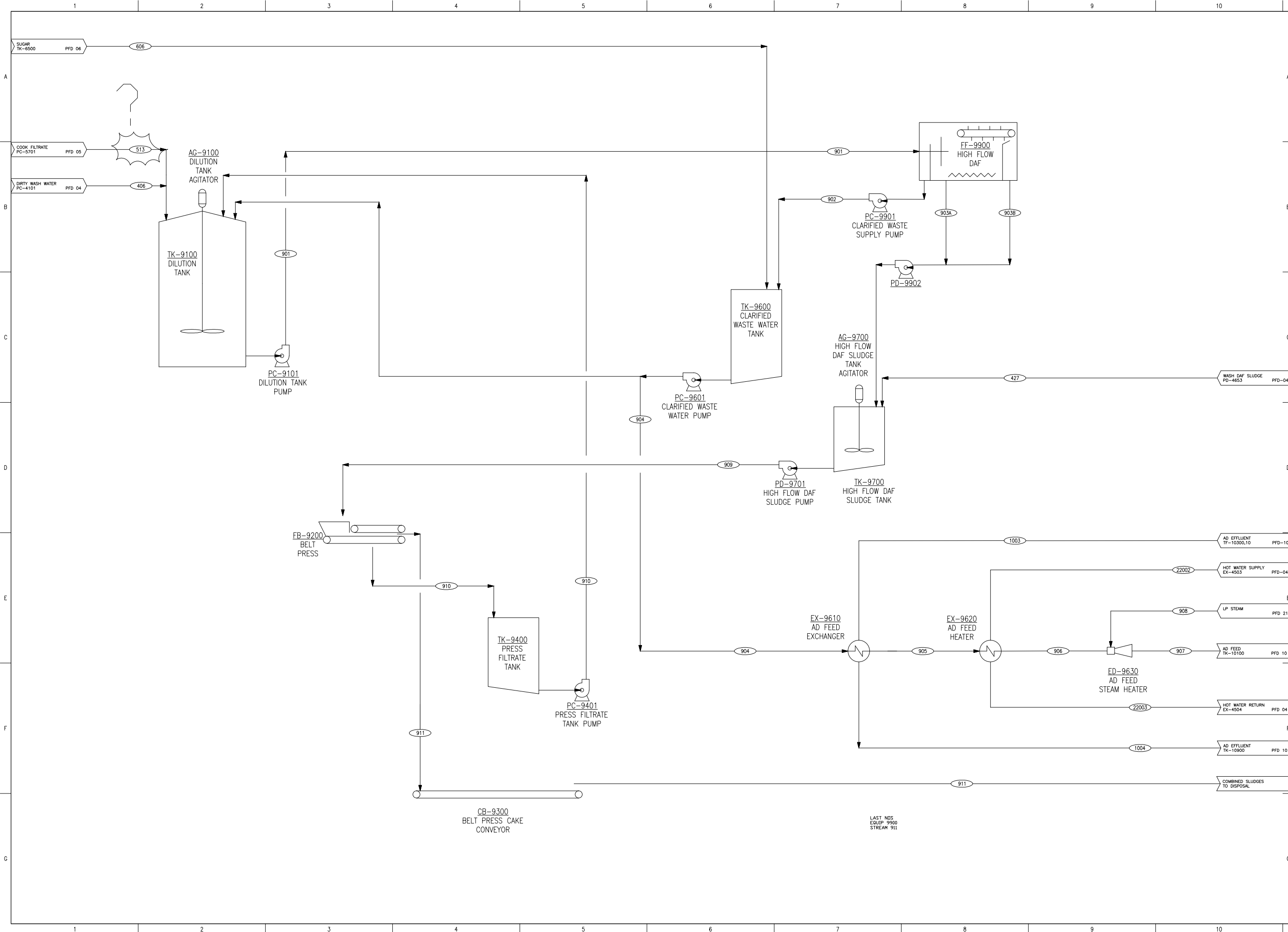
LAST MD5 EQUIP 6606 STREAM 621

© Fiberight
 2015
 All Rights Reserved

REV	DATE	DESCRIPTION

PROJECT NO: 1501
 DESIGNED BY:
 DRAWN BY: AKO
 REVIEWED BY:
 PLOT SCALE: N/A
 PLOT DATE: 09DEC15

HYDROLYSIS PROCESS FLOW DIAGRAM

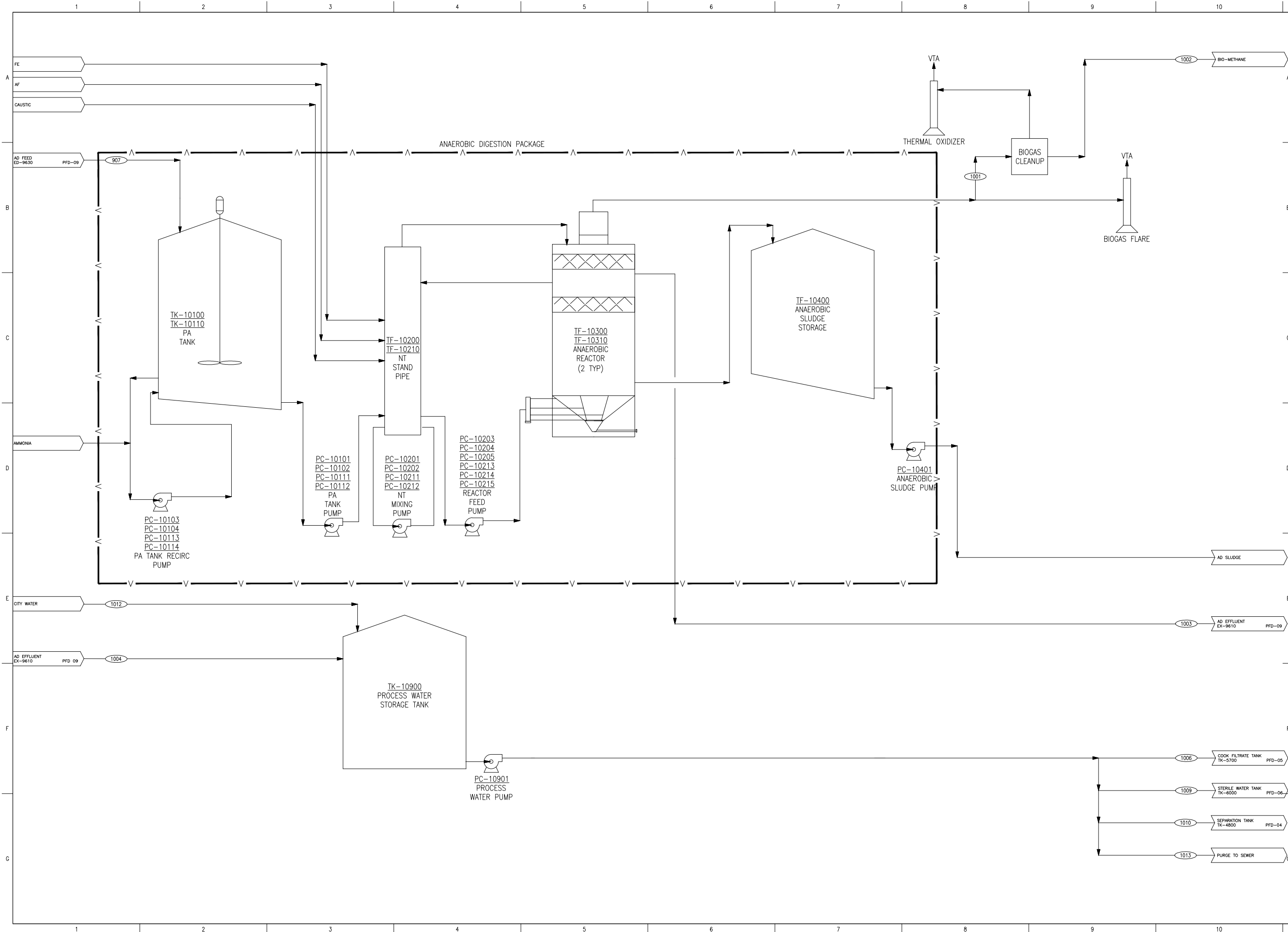


© Fiberight
 2015
 All Rights Reserved

REV	DATE	DESCRIPTION	DRAWN	REVIEW	APPROV

PROJECT NO: 1501
 DESIGNED BY: AKO
 DRAWN BY: AKO
 REVIEWED BY:
 PLOT SCALE: N/A
 PLOT DATE: 09DEC15

AD FEED PREP
 PROCESS FLOW
 DIAGRAM



Fiberight
 FIBERIGHT LLC
 3rd Street
 Hampden, MAINE

© Fiberight
 2015
 All Rights Reserved

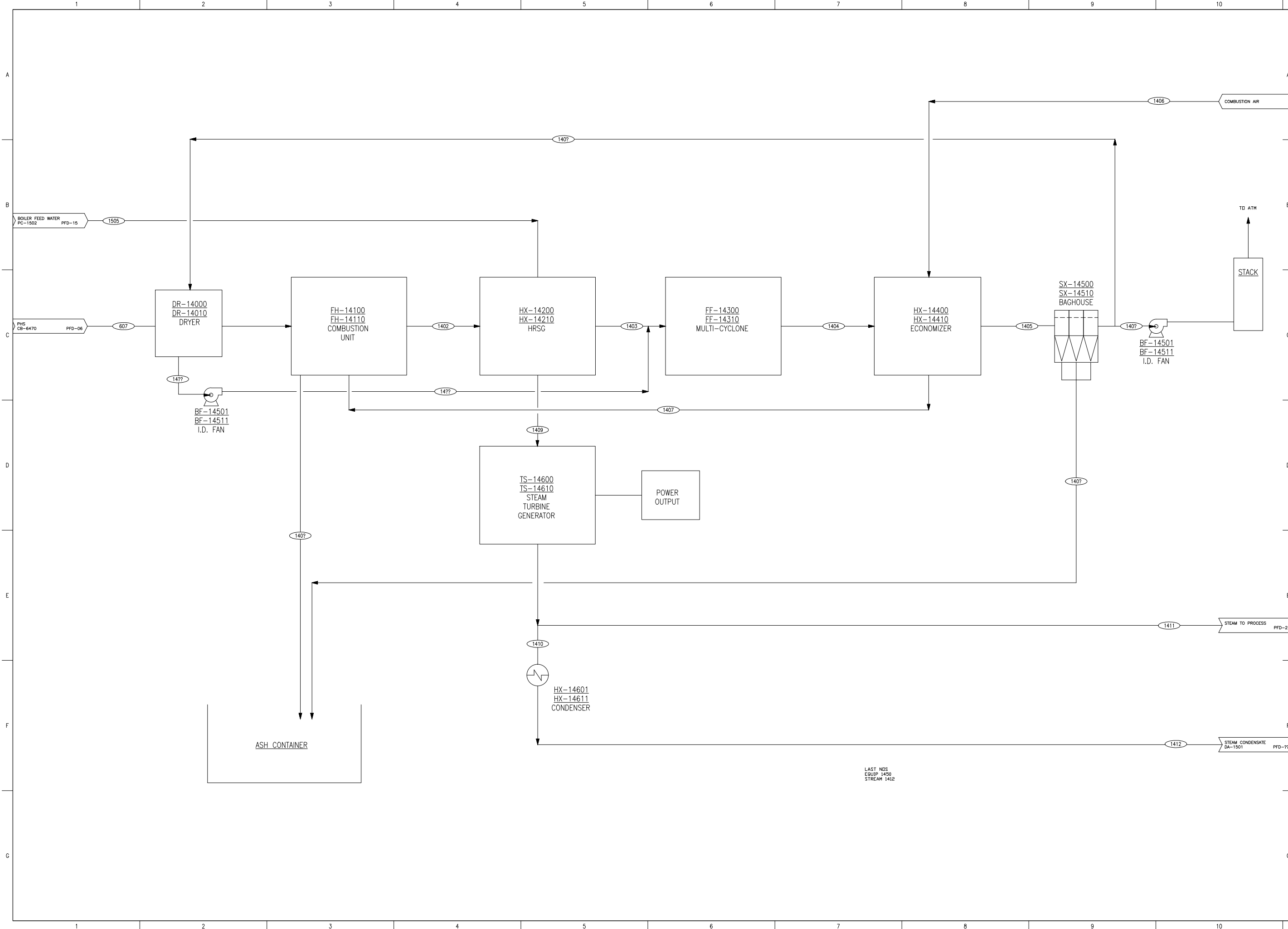
REV	DATE	DESCRIPTION	APPROVED
A		PRELIMINARY	

PROJECT NO: 1501
 DESIGNED BY: AKO
 DRAWN BY: AKO
 REVIEWED BY: PMS
 PLOT SCALE: 1:1
 PLOT DATE: 09DEC15

ANAEROBIC DIGESTION PROCESS FLOW DIAGRAM

PFD-10

FILE NAME: E:\Hampden, MAINE PFD.dwg



Fiberight
 FIBERIGHT LLC
 3rd Street
 Hampden, MAINE

© Fiberight 2015
 All Rights Reserved

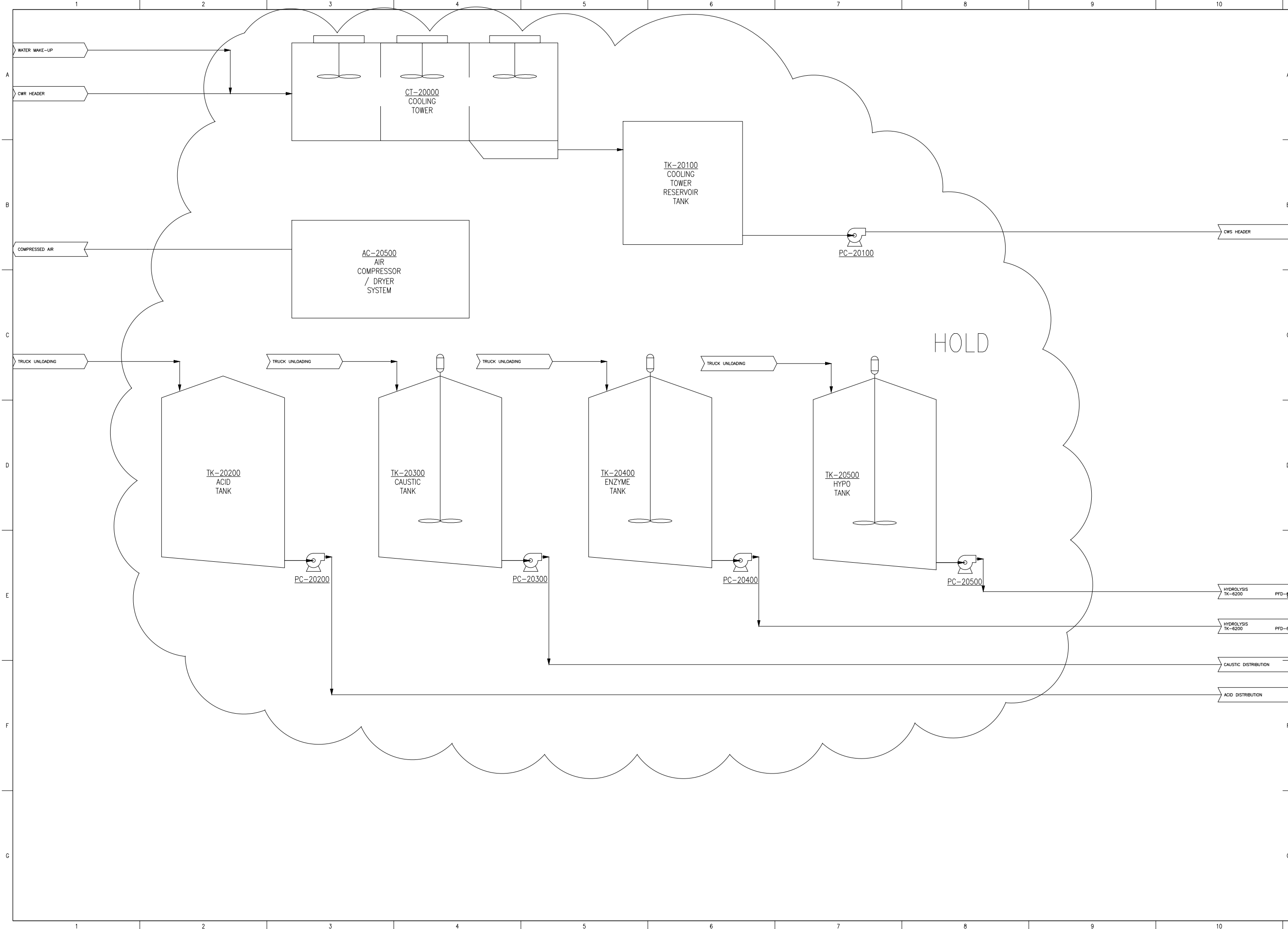
REV	DATE	DESCRIPTION	DRAWN	REVIEW	APPROV

PROJECT NO: 1501
 DESIGNED BY:
 DRAWN BY: AKO
 REVIEWED BY:
 PLOT SCALE: N/A
 PLOT DATE: 09DEC15

ENERGY GENERATION PROCESS FLOW DIAGRAM

PFD-14

FILE NAME: E:\Hampden, MAINE PFD.dwg
 ©2013 FIBERIGHT



© Fiberight
 2015
 All Rights Reserved

REV	DATE	DESCRIPTION	PRELIMINARY	DRAWN	REVIEW	APPR	APPR
A							

PROJECT NO: 1501
 DESIGNED BY:
 DRAWN BY: AKO
 REVIEWED BY:
 PLOT SCALE: 1:1
 PLOT DATE: 09DEC15

UTILITIES / BULK
 STORAGE
 PROCESS FLOW
 DIAGRAM

PFD-20