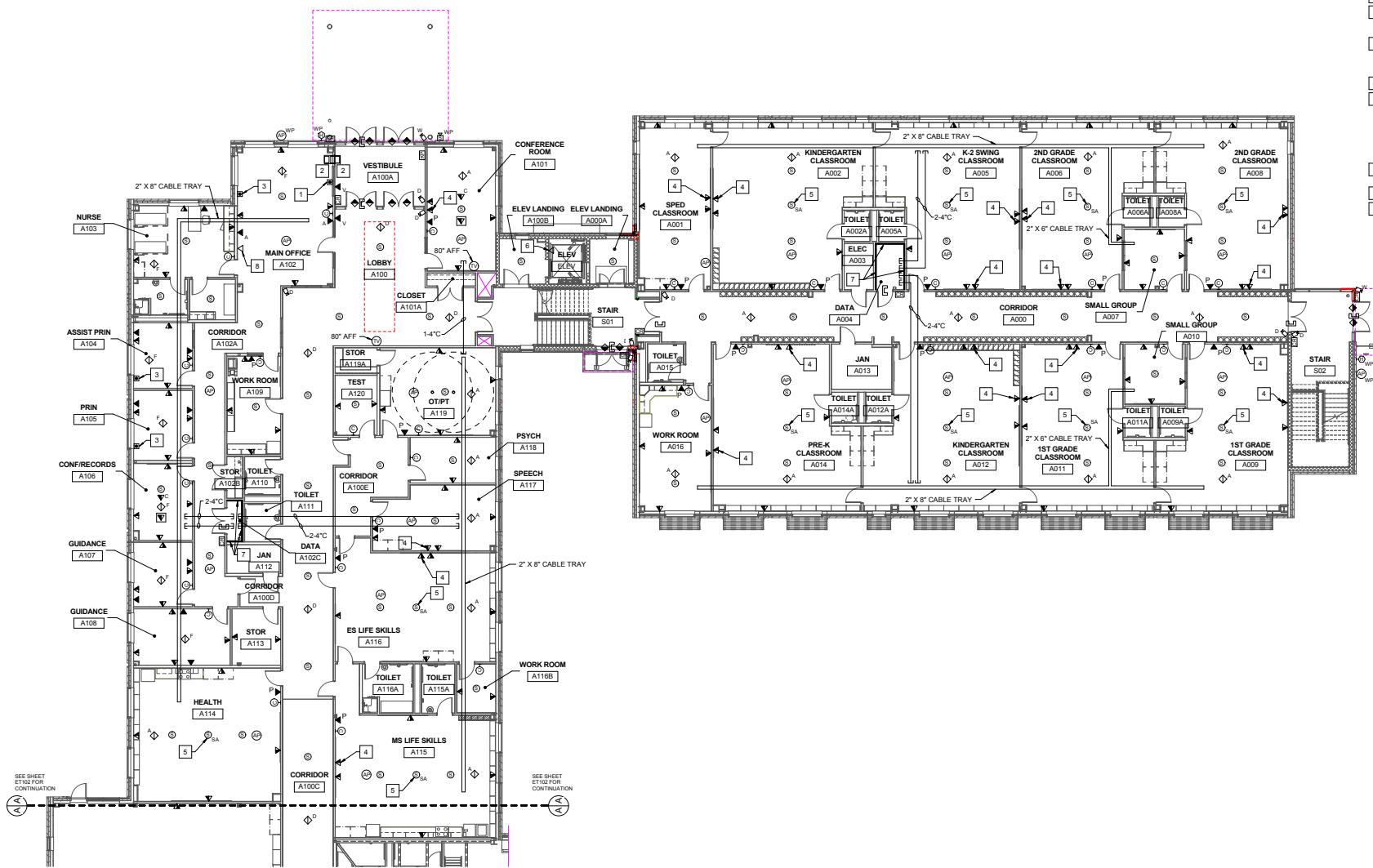
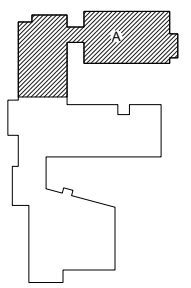


DRAWING KEYNOTES

- 1 PUSH BUTTON FOR FRONT DOOR RELEASE.
- 2 PROVIDE AN AIPHONE LEM AUDIO HANDS FREE LOCAL INTERCOM SYSTEM BETWEEN VESTIBULE AND MAIN OFFICE.
- 3 PUSH BUTTON FOR LOCKDOWN. INTERFACE WITH FIRE ALARM SYSTEM. TO RELEASE MAGNETIC DOOR HOLDERS. FIELD VERIFY LOCATION WITH OWNER AND ARCHITECT PRIOR TO ROUGH-IN.
- 4 CENTER ABOVE WHITEBOARD/SMARTBOARD.
- 5 PROVIDE LIGHTSPEED TOPCAT SOUND AMPLIFICATION SYSTEM OR EQUIVALENT. SYSTEM SHALL INCLUDE TOPCAT IN CEILING AMPLIFIER/SPEAKER ASSEMBLY, ONE (1) FLEX MIKE, ONE (1) SHARE MIKE, ONE (1) PAGE FIRST SENSOR, AND ONE (1) MEDIA CONNECTOR. CONNECT PAGE FIRST SENSOR TO INTERCOM SPEAKERS.
- 6 PROVIDE A DEDICATED ANALOG PHONE LINE FOR ELEVATOR.
- 7 BACKBOARDS (TYP).
- 8 PROVIDE DEDICATED ANALOG PHONE LINE. COORDINATE LOCATION WITH OWNER.



1 FIRST FLOOR TECHNOLOGY PART PLAN WING A
 ET101 SCALE: 1/8" = 1'-0"

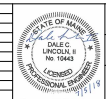


GRAPHIC SCALE



CHECK GRAPHIC SCALE BEFORE USING

KEYPLAN
 NOT TO SCALE PLAN NORTH

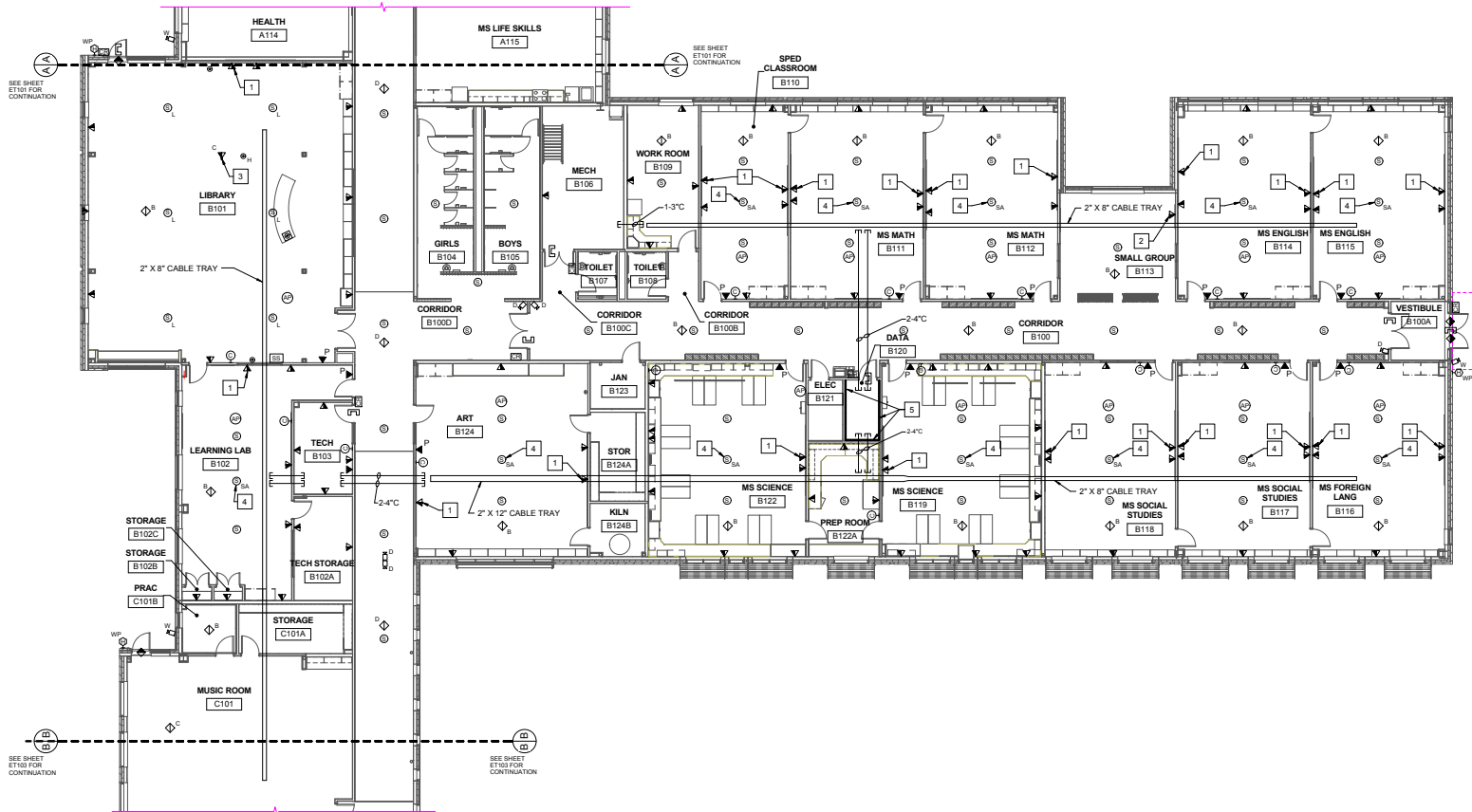


STATE OF MAINE PUBLIC SCHOOL PROJECT
 MONMOUTH ELEMENTARY / MIDDLE SCHOOL - RSU 2
 MONMOUTH, ME
 FIRST FLOOR TECHNOLOGY PART PLAN WING A

NO.	DATE	DESCRIPTION	BY	CHECK BY

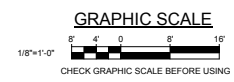
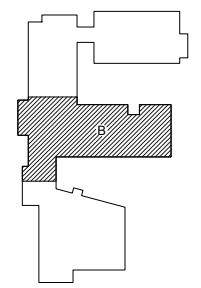
DRAWN BY: EPD
 CHECK BY: DCL
 NO. REVISIONS
 READY FOR CONSTRUCTION DATE: 07/05/18

OAK POINT ARCHITECTS
 ET101
 264 of 275



- DRAWING KEYNOTES**
- 1 CENTER ABOVE WHITEBOARD/SMARTBOARD.
 - 2 FOR PRINTER.
 - 3 FOR PROJECTOR.
 - 4 PROVIDE LIGHTSPEED TOPCAT SOUND AMPLIFICATION SYSTEM OR EQUIVALENT. SYSTEM SHALL INCLUDE TOPCAT IN-CEILING AMPLIFIER/SPEAKER ASSEMBLY, ONE (1) FLEX MIKE, ONE (1) SHARE MIKE, ONE (1) PAGE FIRST SENSOR, AND ONE (1) MEDIA CONNECTOR. CONNECT PAGE FIRST SENSOR TO INTERCOM SPEAKERS.
 - 5 BACKBOARDS (TYP).

1 FIRST FLOOR TECHNOLOGY PART PLAN WING B
 ET102 SCALE: 1/8" = 1'-0"



NO.	DATE	DESCRIPTION	BY	CHECK BY

KEYPLAN
 NOT TO SCALE

STATE OF MAINE
 PUBLIC SCHOOL PROJECT

MONMOUTH ELEMENTARY / MIDDLE SCHOOL - RSU 2
 MONMOUTH, ME

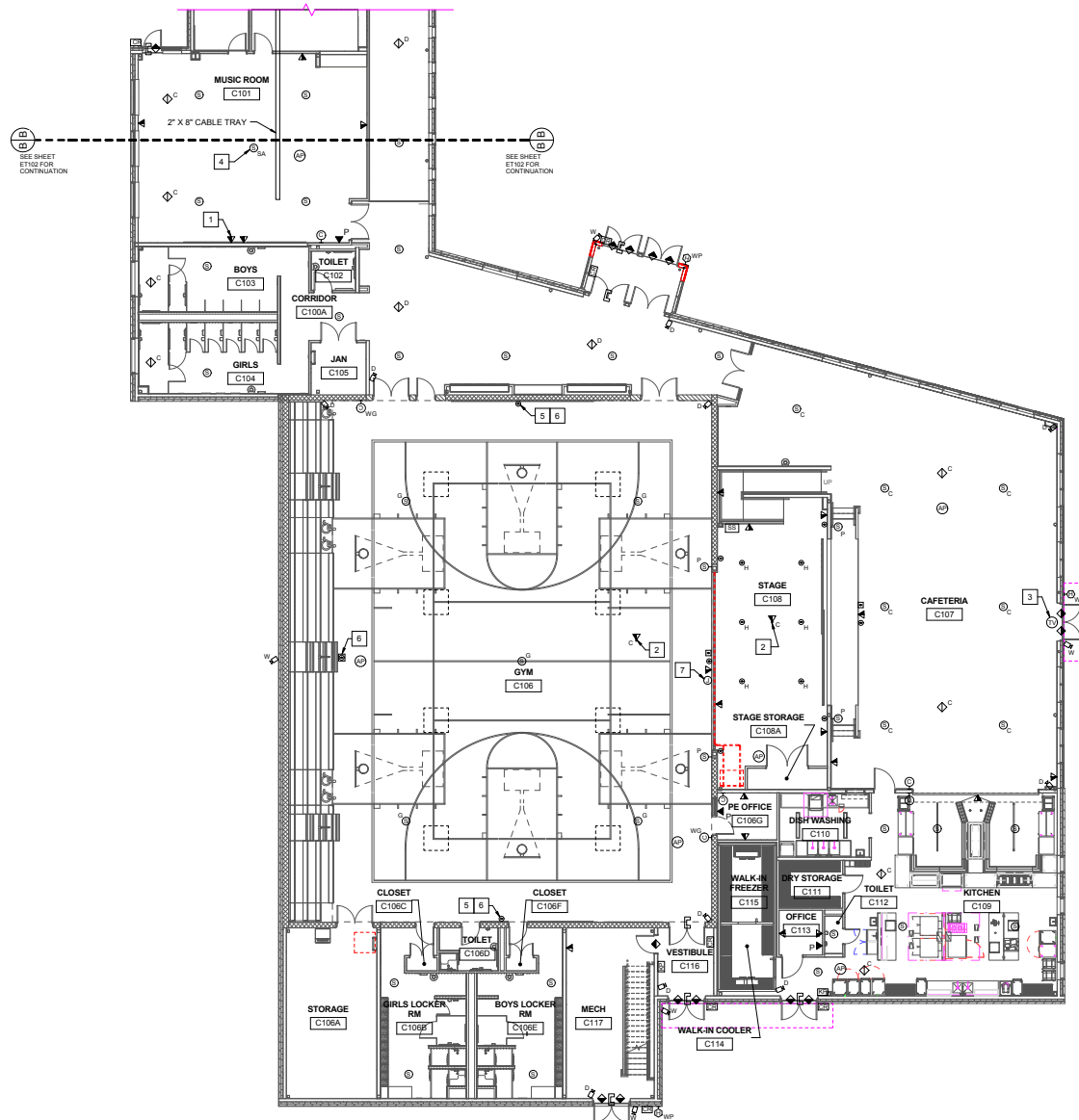
FIRST FLOOR TECHNOLOGY PART PLAN
 WING B

OAK POINT ARCHITECTS
 ET102

DATE: 07/05/18

265 of 275

© 2018 OAK POINT ARCHITECTS, INC. ALL RIGHTS RESERVED. THIS DRAWING IS THE PROPERTY OF OAK POINT ARCHITECTS, INC. AND IS NOT TO BE REPRODUCED OR TRANSMITTED IN ANY FORM OR BY ANY MEANS, ELECTRONIC OR MECHANICAL, WITHOUT PERMISSION IN WRITING FROM OAK POINT ARCHITECTS, INC.



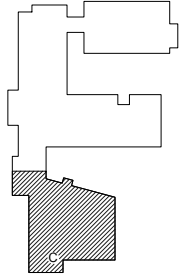
DRAWING KEYNOTES

- 1 CENTER ABOVE WHITEBOARD/SMARTBOARD.
- 2 FOR PROJECTORS, COORDINATE LOCATIONS IN THE FIELD.
- 3 MOUNT ABOVE DOOR, 96" AFF.
- 4 PROVIDE LIGHTSPEED TOPCAT SOUND AMPLIFICATION SYSTEM OR EQUIVALENT. SYSTEM SHALL INCLUDE TOPCAT IN-CEILING AMPLIFIER/SPEAKER ASSEMBLY, ONE (1) FLEX MIKE, ONE (1) SHAKE MIKE, ONE (1) PAGE FIRST SENSOR, AND ONE (1) MEDIA CONNECTOR. CONNECT PAGE FIRST SENSOR TO INTERCOM SPEAKERS.
- 5 OUTLET SHALL BE MOUNTED 18" AFF.
- 6 PROVIDE CABLE AND CONDUIT AND CONNECT TO SOUND SYSTEM RACK.
- 7 PROVIDE 4"x4" JUNCTION BOX 18" AFF. PROVIDE 1" CONDUIT FROM JUNCTION BOX TO SCOREBOARD FOR SCOREBOARD CONTROL WIRING.

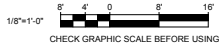
SEE SHEET ET102 FOR CONTINUATION

SEE SHEET ET102 FOR CONTINUATION

1 FIRST FLOOR TECHNOLOGY PART PLAN WING C
ET103 SCALE: 1/8"=1'-0"



GRAPHIC SCALE



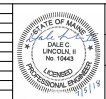
CHECK GRAPHIC SCALE BEFORE USING



KEYPLAN
NOT TO SCALE

**STATE OF MAINE
PUBLIC SCHOOL PROJECT**
MONMOUTH ELEMENTARY / MIDDLE SCHOOL - RSU 2
MONMOUTH, ME

FIRST FLOOR TECHNOLOGY PART PLAN
WING C



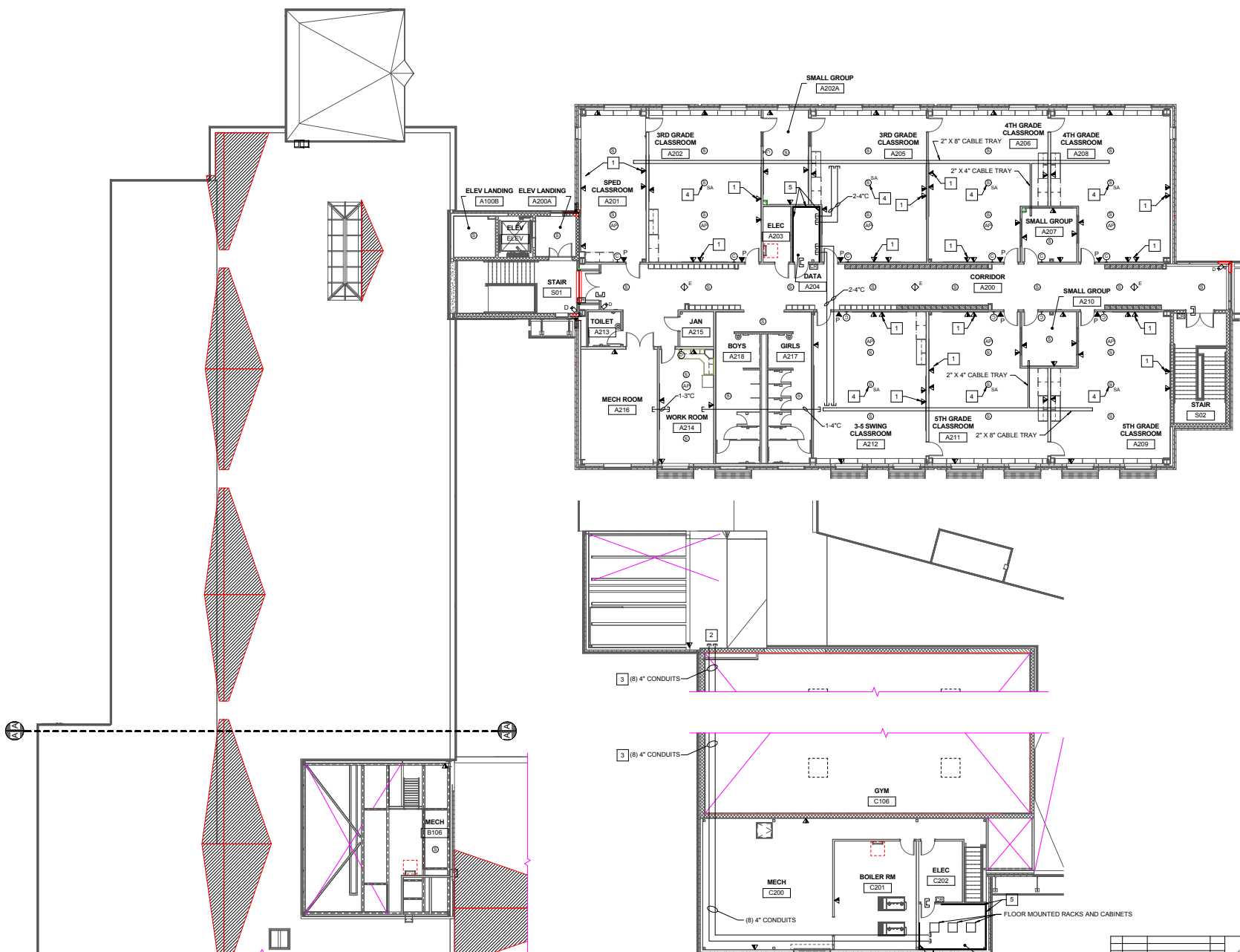
NO.	DATE	DESCRIPTION	BY	CHECK BY

DRAWN BY: EPD
BY: DCL
NO. 07/05/18
DATE 07/05/18

OAK POINT ARCHITECTS ET103
201 Main Street, Monmouth, ME 04259
207.866.6600

DRAWING KEYNOTES

- 1 CENTER ABOVE WHITEBOARDS/SMARTBOARD.
- 2 CONDUITS TO DATA ROOMS. REFER TO DETAIL 1(ET50).
- 3 RUN IN SOFFIT ABOVE BLEACHERS.
- 4 PROVIDE LIGHTSPEED TOPCAT SOUND AMPLIFICATION SYSTEM OR EQUIVALENT. SYSTEM SHALL INCLUDE TOPCAT IN-CEILING AMPLIFIER/SPEAKER ASSEMBLY, ONE (1) FLEX MIKE, ONE (1) SHARE MIKE, ONE (1) PAGE FIRST SENSOR, AND ONE (1) MEDIA CONNECTOR. CONNECT PAGE FIRST SENSOR TO INTERCOM SPEAKERS.
- 5 BACKBOARDS (TYP).



1 SECOND FLOOR TECHNOLOGY PART PLAN WING A
ET104 SCALE: 1/8" = 1'-0"

2 SECOND FLOOR TECHNOLOGY PART PLAN WING C
ET104 SCALE: 1/8" = 1'-0"



NO.		DATE	BY	CHKD BY	REVISIONS

STATE OF MAINE
MONMOUTH ELEMENTARY / MIDDLE SCHOOL - RSU 2
MONMOUTH, ME

SECOND FLOOR TECHNOLOGY PART
PLANS WINGS A, B, AND C

OAK POINT ARCHITECTS ET104

DATE: 07/05/18

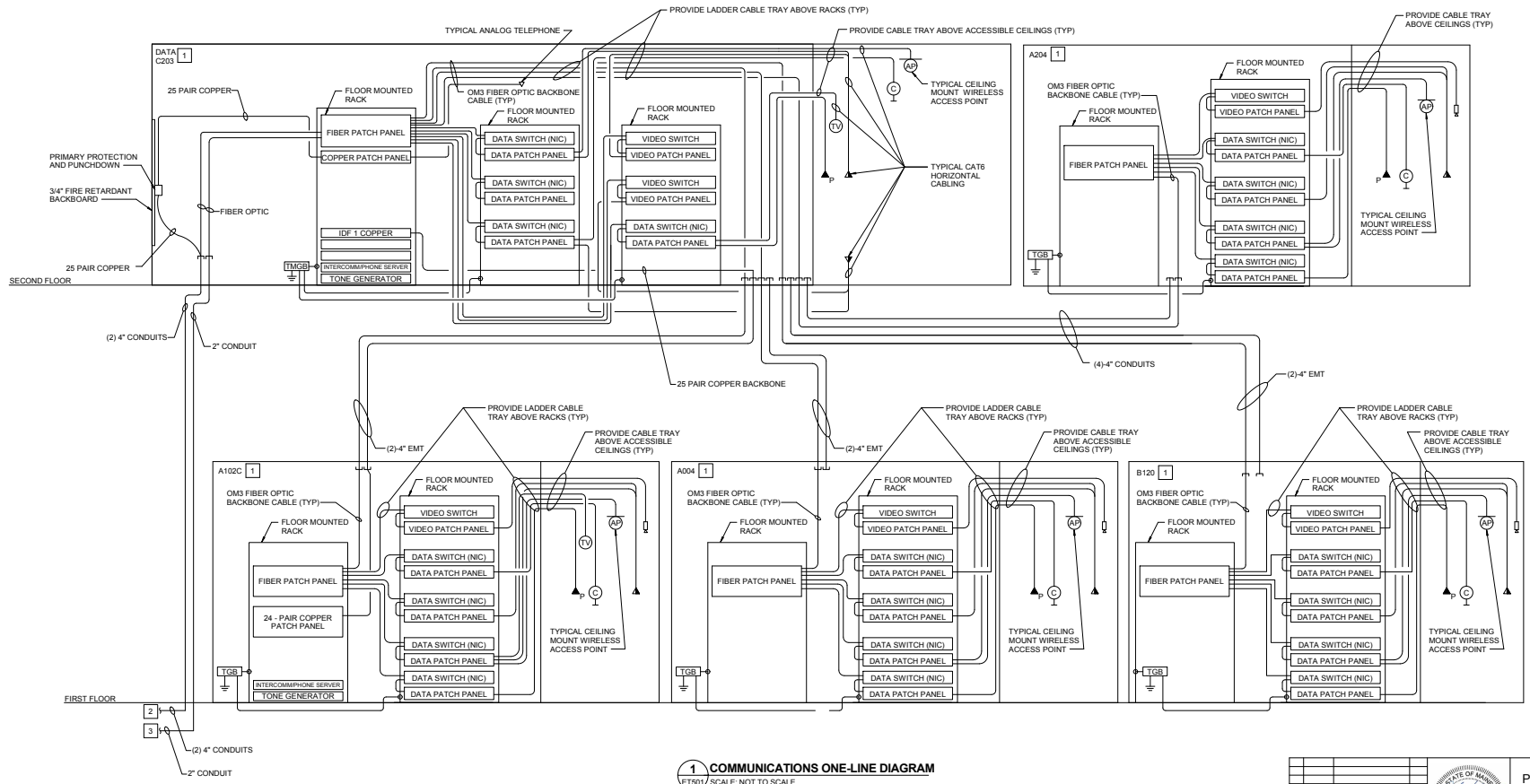
267 of 275

DRAWING NOTES

1. PROVIDE CABLE TRAYS ABOVE ACCESSIBLE CEILINGS. PROVIDE CONDUIT AND J-HOOKS FROM TELECOMMUNICATIONS OUTLETS TO CABLE TRAYS. REFER TO DETAIL 4ET502.
2. DATA SWITCHES SHOWN IN RACKS ARE NOT IN CONTRACT (NIC).

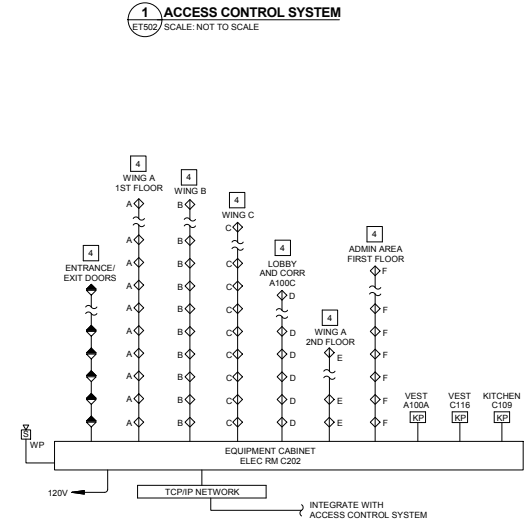
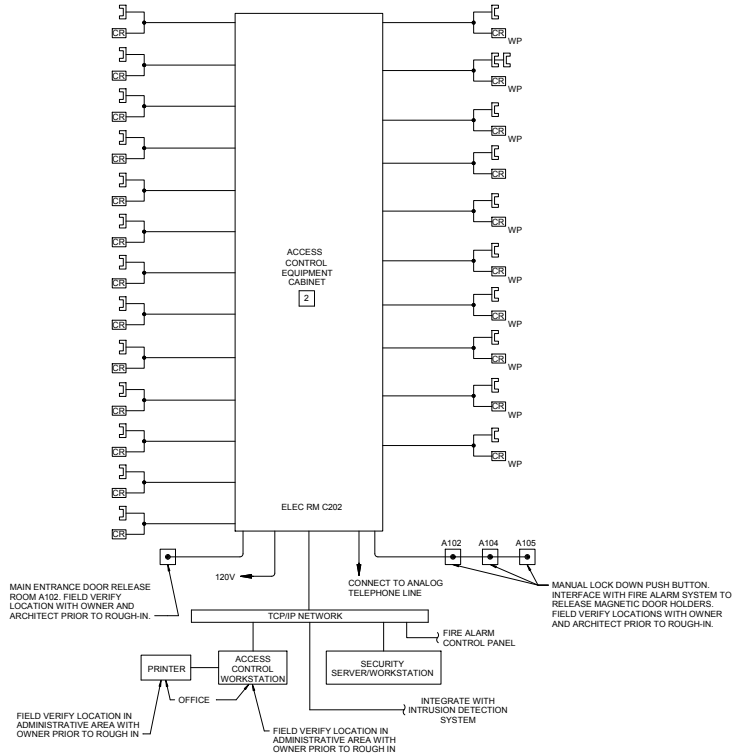
DRAWING KEYNOTES

- 1 PROVIDE QUANTITY OF CABINETS AND PATCH PANELS PER THE QUANTITY OF JACKS SHOWN ON THE PLANS PLUS 25% SPARE CAPACITY.
- 2 TO UTILITY POLE. REFER TO DRAWING CU102 FOR CONTINUATION.
- 3 PROVIDE FIBER OPTIC CABLE TO MONMOUTH ACADEMY BUILDING. REFER TO CU102 FOR CONTINUATION.

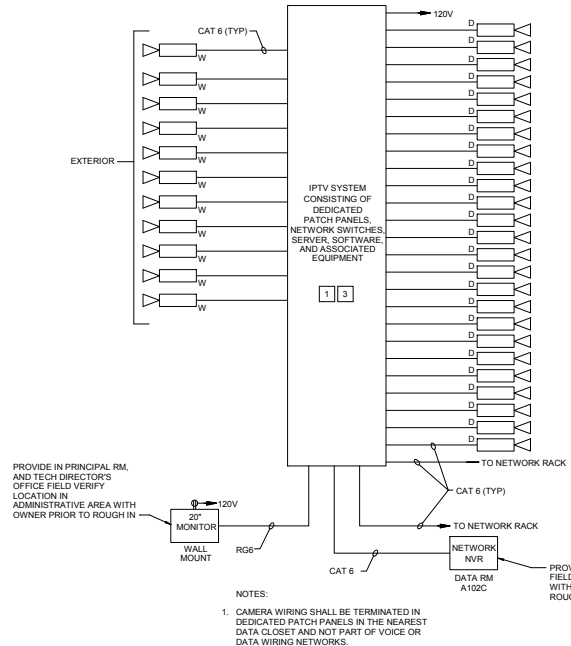
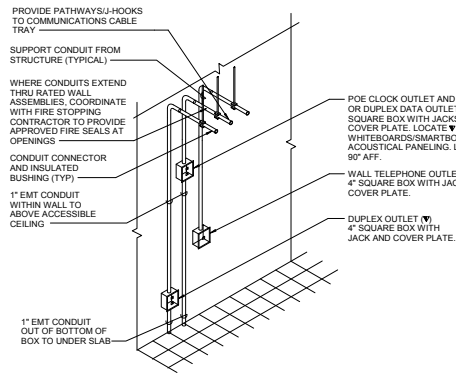


1 COMMUNICATIONS ONE-LINE DIAGRAM
 ET501 SCALE: NOT TO SCALE

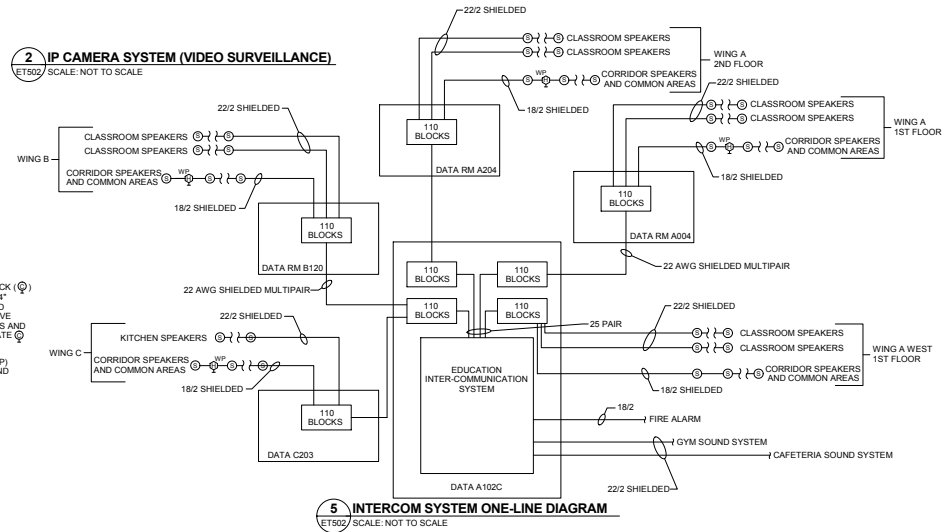
STATE OF MAINE PUBLIC SCHOOL PROJECT			
MONMOUTH ELEMENTARY / MIDDLE SCHOOL - RSU 2 MONMOUTH, ME			
TECHNOLOGY DETAILS			
DRAWN BY: SPD		CHECKED BY: DCL	
DATE: 07/05/18		DATE: 07/05/18	
READY FOR CONSTRUCTION			



4 TYPICAL TELECOMMUNICATIONS PATHWAY DETAIL
 ET502 SCALE: NOT TO SCALE



5 INTERCOM SYSTEM ONE-LINE DIAGRAM
 ET502 SCALE: NOT TO SCALE



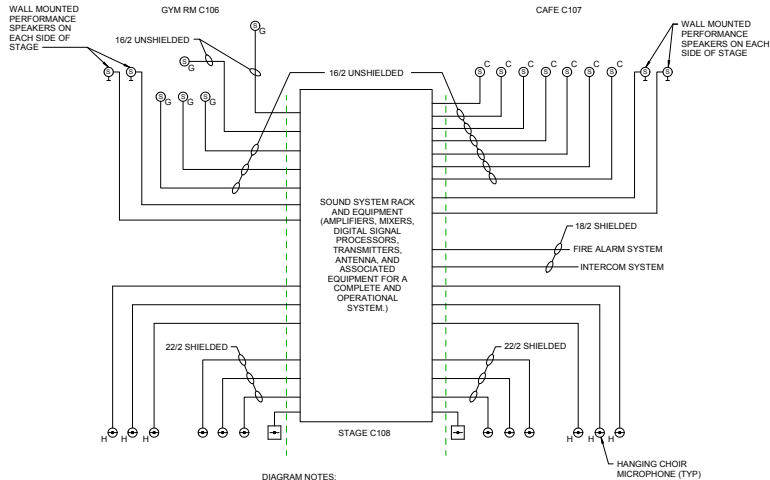
DRAWING NOTES

1. THESE DRAWINGS ARE A GENERAL SYSTEM OVERVIEW INTENDED TO CONVEY DESIGN INTENT. SUBSEQUENTLY, NOT ALL HARDWARE IS SHOWN IN THE DIAGRAM. THE INSTALLED SYSTEM SHALL ADHERE TO PROPOSED MANUFACTURER'S SYSTEM REQUIREMENTS AND SPECIFICATIONS.
2. REFER TO POWER PLANS FOR LOCATIONS OF POWER ASSIST DOOR OPERATORS AND 120V LOCK POWER.
3. UNDER SLAB CONDUITS SHALL BE ROUTED IN A MANNER TO ENSURE THE LEAST NUMBER OF CONDUIT BENDS POSSIBLE.

DRAWING KEYNOTES

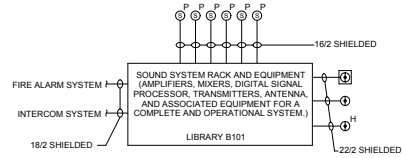
- 1 INTEGRATE VIDEO SURVEILLANCE SYSTEM WITH ACCESS CONTROL SYSTEM.
- 2 PROVIDE QUANTITY OF KEYPADS/CARD READERS AND ELECTRIC LOCKS/DOOR STRIKES AS SHOWN ON THE PLANS.
- 3 PROVIDE QUANTITY OF CAMERAS AS SHOWN ON THE PLANS.
- 4 PROVIDE QUANTITY AS SHOWN ON PLANS.

STATE OF MAINE PUBLIC SCHOOL PROJECT		MONMOUTH ELEMENTARY / MIDDLE SCHOOL - RSU 2 MONMOUTH, ME	
DATE: UNCLAS. No. 1544 EXPIRES: ANNUAL REVIEW		TECHNOLOGY DETAILS	
DRAWN BY: BPD			
CHECK BY: DCL			
NO. DATE DESCRIPTION BY CHECK BY			
REVISIONS NO.			
READY FOR CONSTRUCTION		DATE: 07/05/18	



- DIAGRAM NOTES:**
1. PROVIDE CONDUIT FOR CABLES. SIZE PER NEC. MINIMUM SIZE SHALL BE 1/2"
 2. PROVIDE SEPARATE SOUND SYSTEMS FOR GYM AND CAFETERIA.

1 GYM/CAFETERIA SOUND SYSTEM ONE-LINE DIAGRAM
ET503 SCALE: NOT TO SCALE



- DIAGRAM NOTE:**
1. PROVIDE CONDUIT FOR CABLES. SIZE PER NEC. MINIMUM CONDUIT SIZE SHALL BE 3/4"

2 LIBRARY SOUND SYSTEM ONE-LINE DIAGRAM
ET503 SCALE: NOT TO SCALE

STATE OF MAINE PUBLIC SCHOOL PROJECT			PROJECT NO. ET503		
LOCATION: MONMOUTH, ME TITLE: TECHNOLOGY DETAILS					
NO.	DATE	DESCRIPTION	BY	CHECK BY	DCL
READY FOR CONSTRUCTION		DATE	07/05/18	270 of 275	