

# CONSTRUCTION DRAWINGS

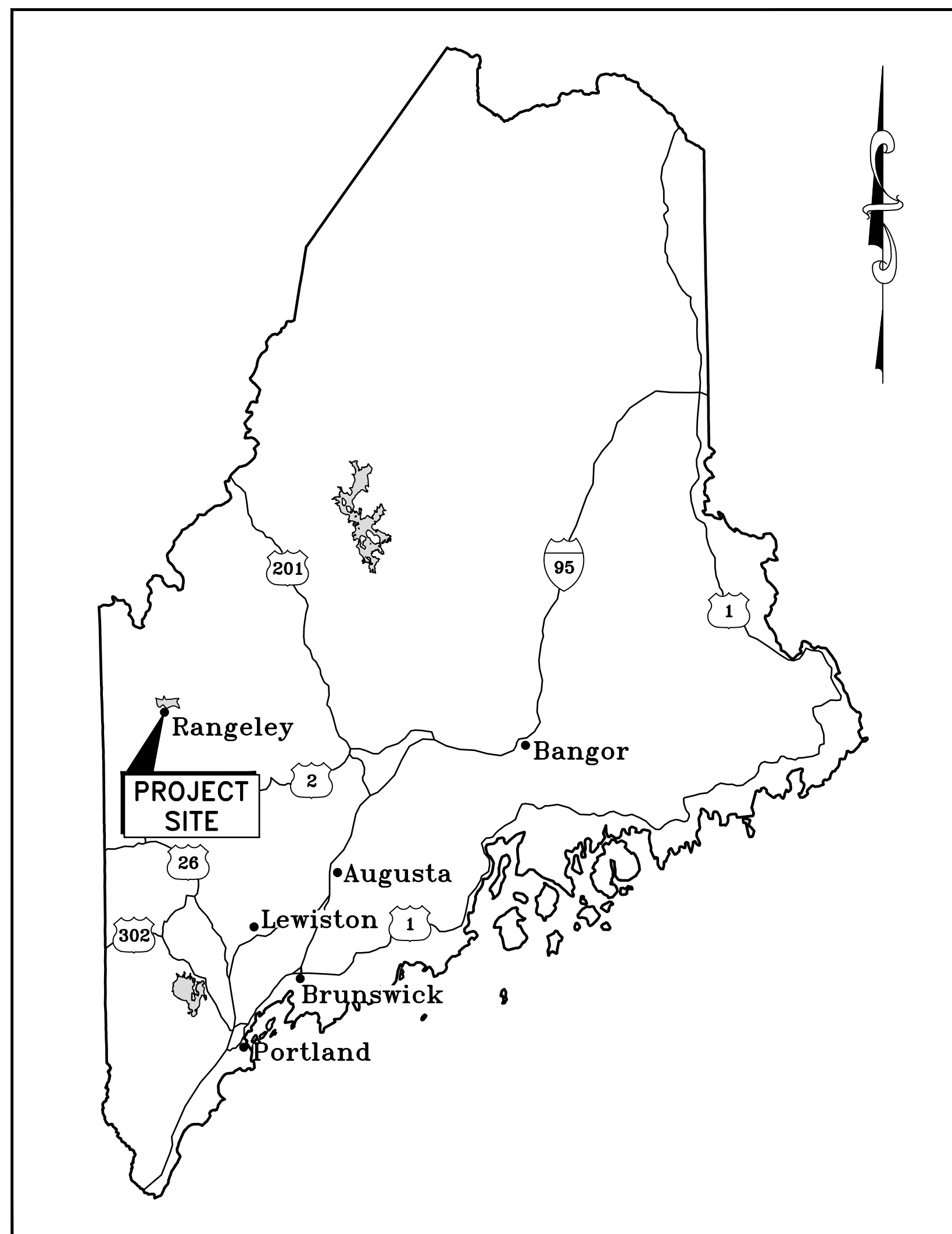
BGS NO. 3899

## FLOAT REPLACEMENT - PHASE 1 RANGELEY LAKE STATE PARK RANGELEY, MAINE

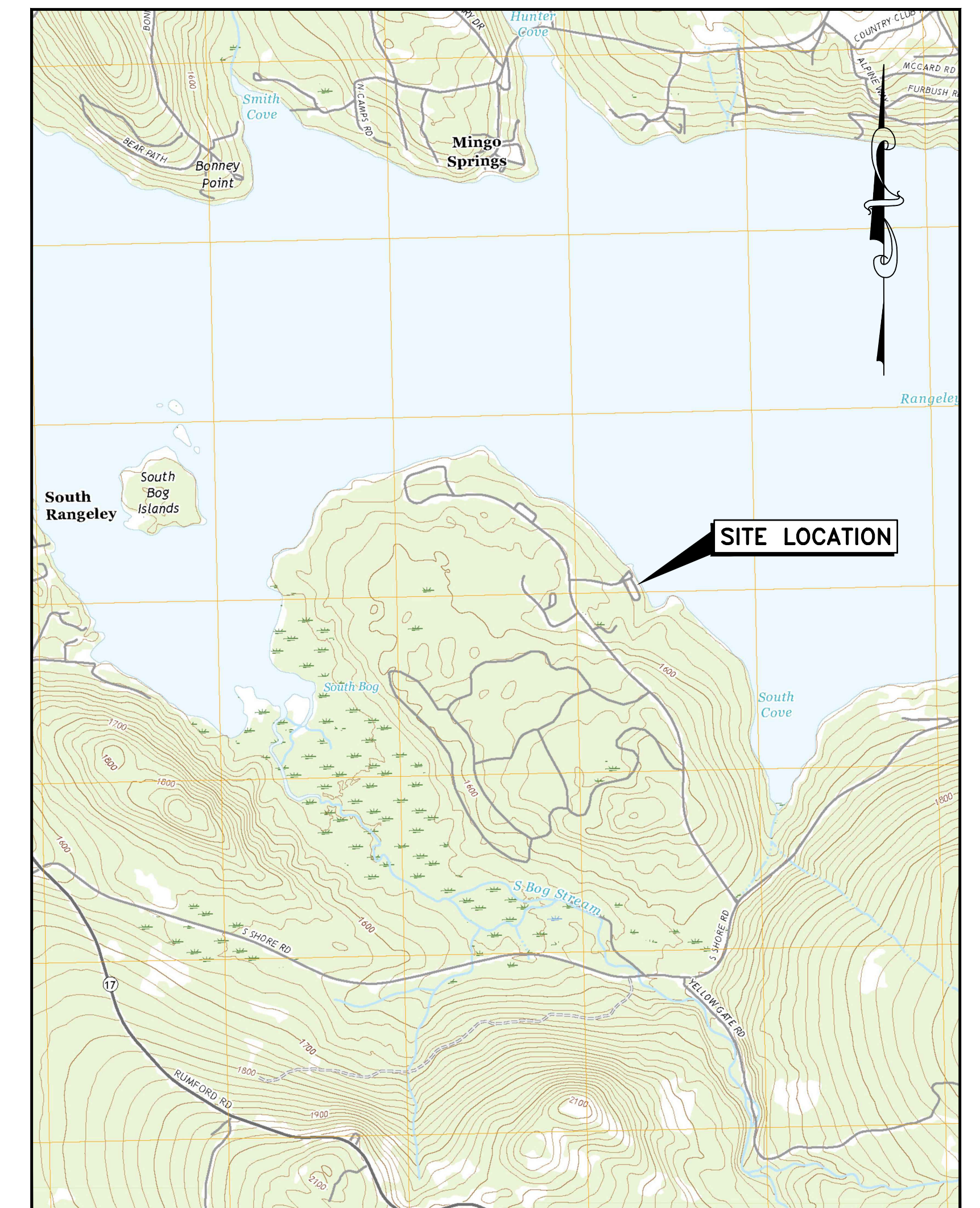
PINE TREE ENGINEERING, INC.  
53 Front Street  
Bath, Maine 04530

### DRAWING INDEX

- |   |                            |
|---|----------------------------|
| 1 | COVER SHEET                |
| 2 | PROPOSED FLOAT SYSTEM PLAN |
| 3 | DETAILS                    |



**AREA MAP**  
SCALE: 1"=33± MILES

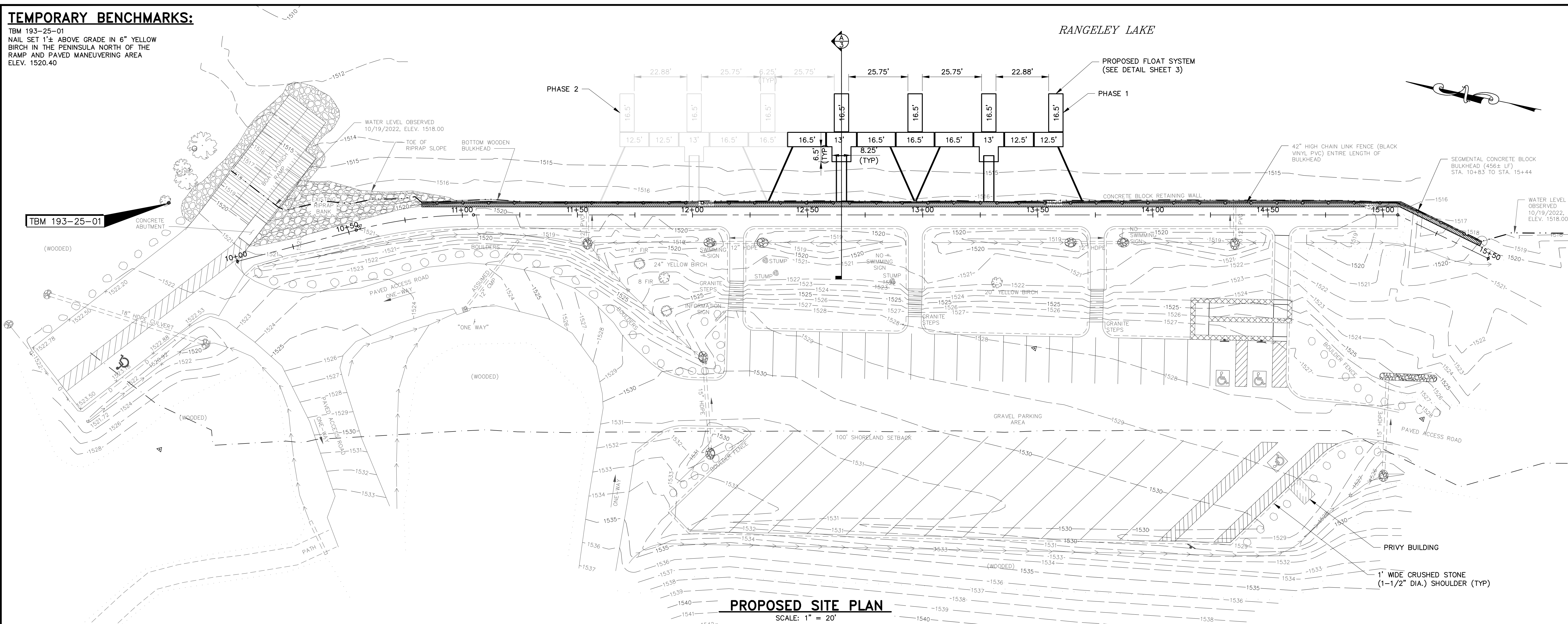


**LOCATION MAP**  
SCALE: 1"=2,000±

**TEMPORARY BENCHMARKS:**

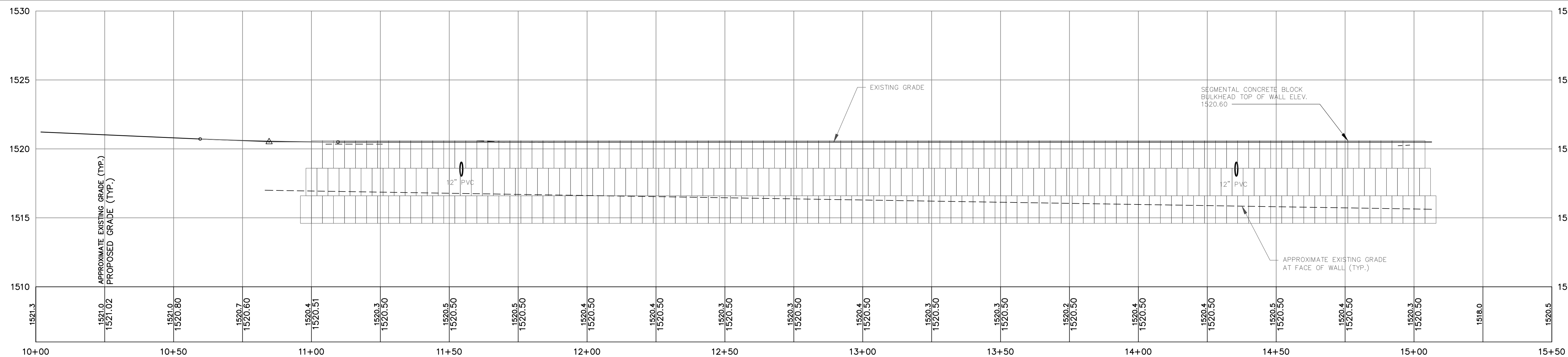
TBM 193-25-01  
 NAIL SET 1'± ABOVE GRADE IN 6" YELLOW BIRCH IN THE PENINSULA NORTH OF THE RAMP AND PAVED MANEUVERING AREA ELEV. 1520.40

TBM 193-25-01



**PROPOSED SITE PLAN**

SCALE: 1" = 20'



**WATERFRONT WALKWAY PROFILE**

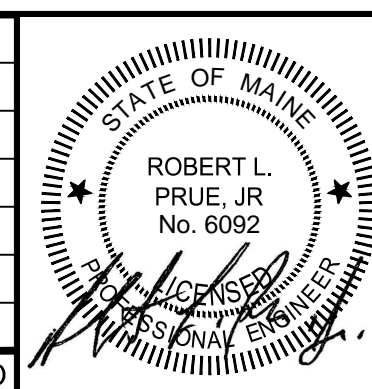
SCALE: 1" = 20' HORIZ., 1" = 4' VERT.

**GRAPHIC SCALE**



( IN FEET )

REV	DATE	STATUS	BY	CHKD	APPD
1	4/9/2026	RE-BID FOR PHASE 1 ONLY	JET	RLP	RLP
0	3/5/2026	ISSUED FOR BIDDING	JET	RLP	RLP



DESIGNED BY: RLP  
 DRAWN BY: JET  
 CHECKED BY: RLP  
 APPROVED BY: RLP  
 DATE: 3/5/2026

**PINE TREE ENGINEERING**



53 Front Street  
 Bath, Maine 04530  
 Tel: (207) 443-1508  
 Fax: (207) 442-7029

Civil/Environmental Engineering • Surveying

CLIENT

MDACF, BUREAU OF PARKS & LANDS  
 22 STATE HOUSE STATION  
 AUGUSTA, MAINE

PROJECT

FLOAT REPLACEMENT – PHASE 1  
 RANGELEY LAKE STATE PARK

TITLE

PROPOSED FLOAT SYSTEM PLAN

SCALE

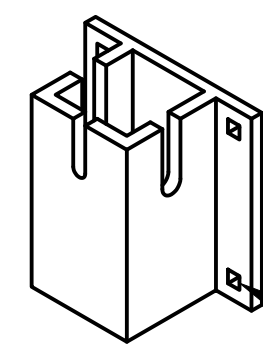
AS SHOWN

PROJECT NO. 22012.01

DRAWING NO. 22012.01 site

SHT. 2 of 3

REV. 1



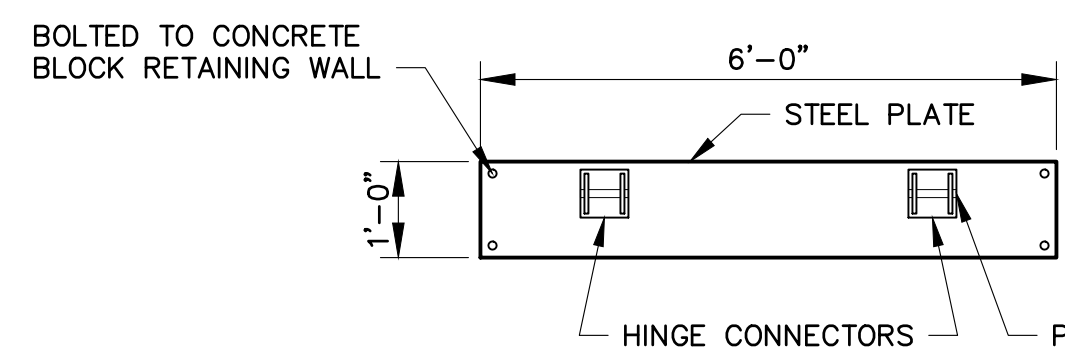
CARRIAGE BOLTS

**NOTES:**

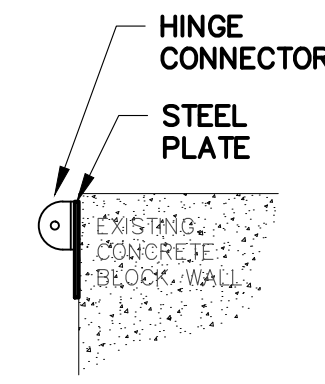
- COMMERCIAL-GRADE 1/4" STEEL
- HOT-DIPPED GALVANIZED
- INSTALL USING 1/2" CARRIAGE BOLTS

**CHAIN RETAINER DETAIL**

SCALE: 3" = 1'-0"



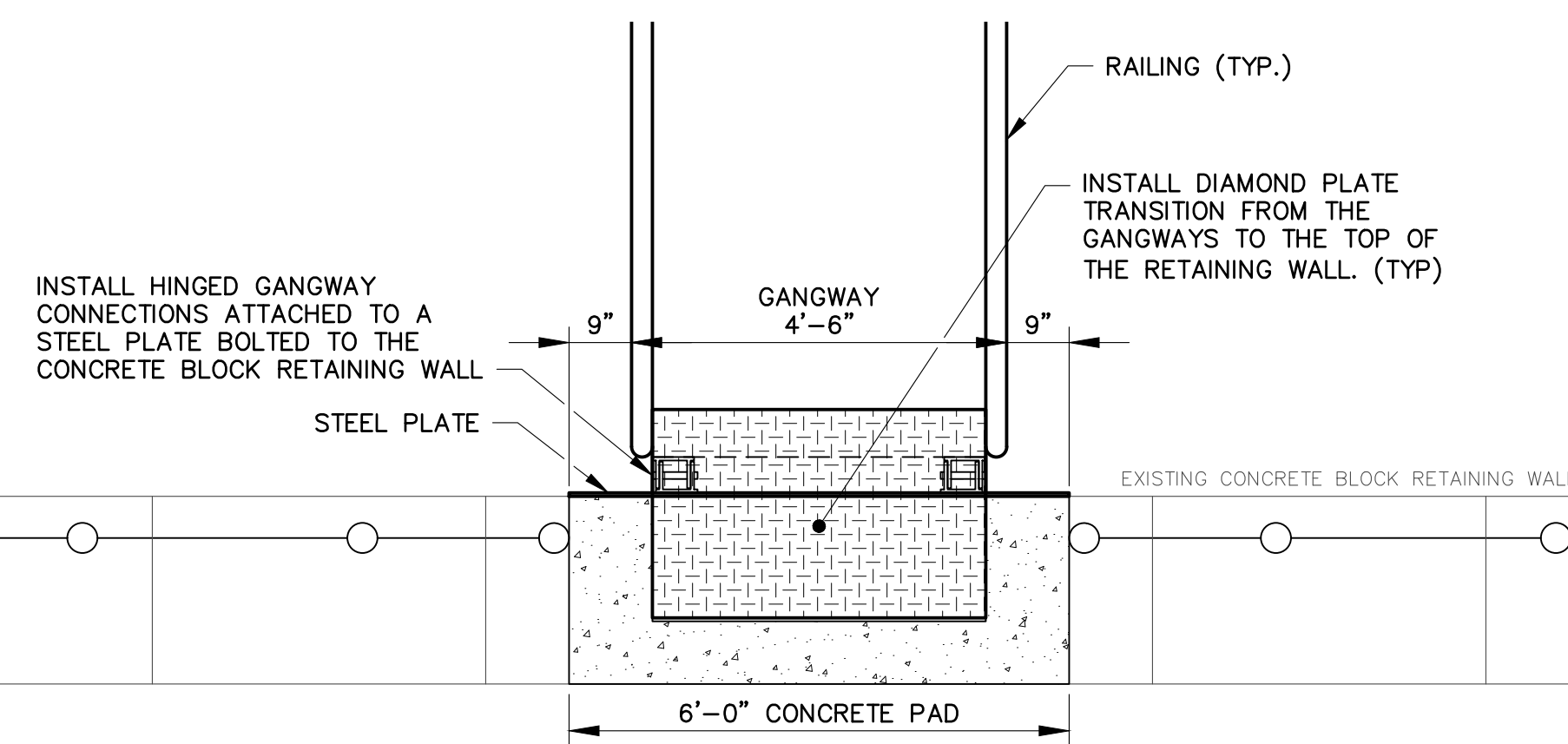
END VIEW



SIDE VIEW

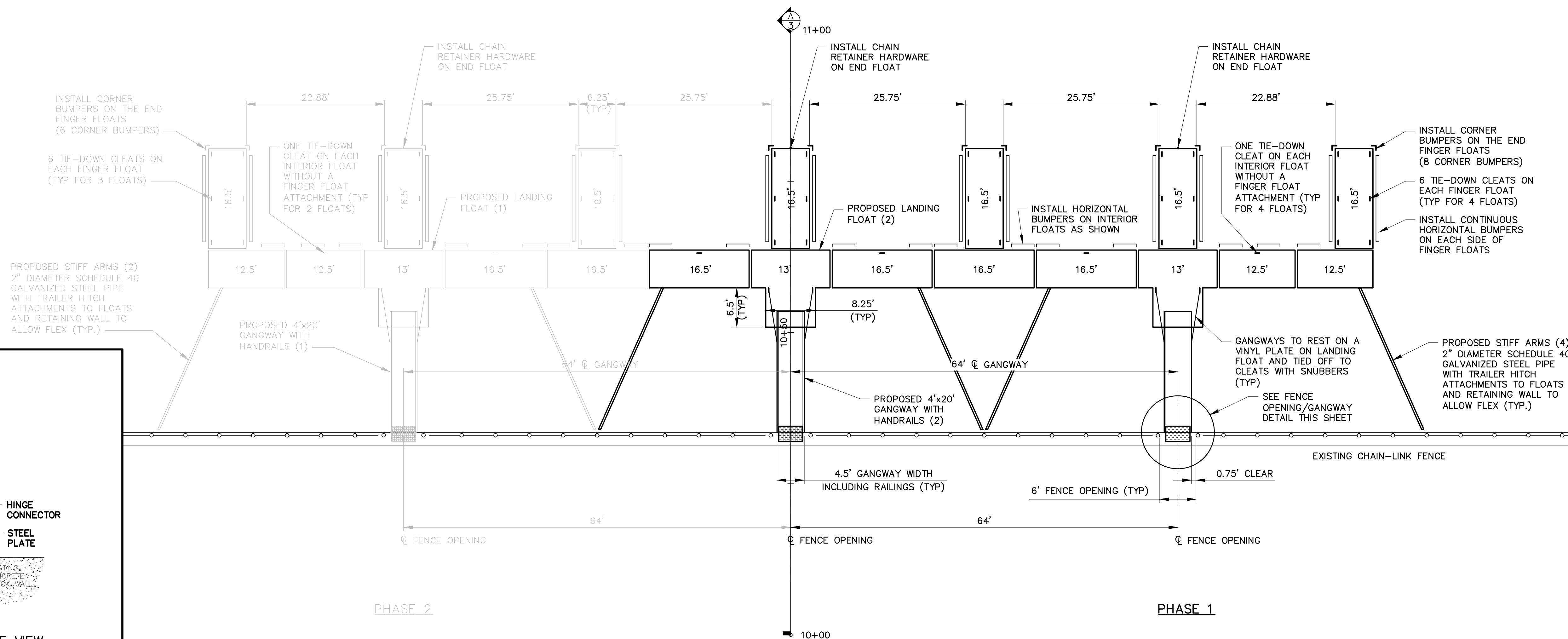
**STEEL PLATE GANGWAY HINGE CONNECTION**

SCALE: 1/2" = 1'-0"



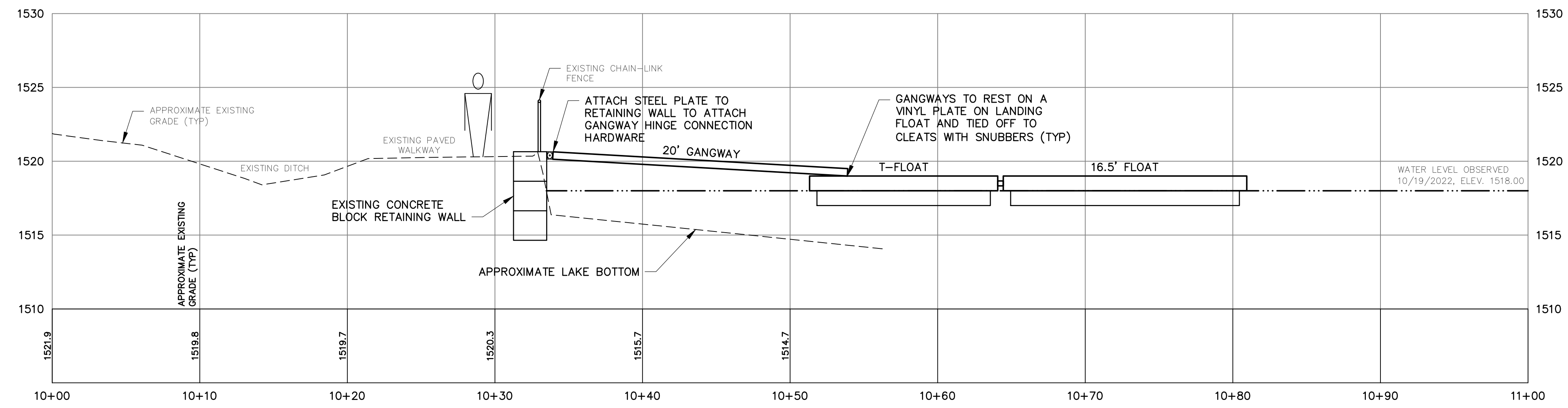
**FENCE OPENING/GANGWAY DETAIL**

SCALE: 1/2" = 1'-0"



**PERFORATED DECKING FRAME FLOAT LAYOUT**

SCALE: 1" = 10'

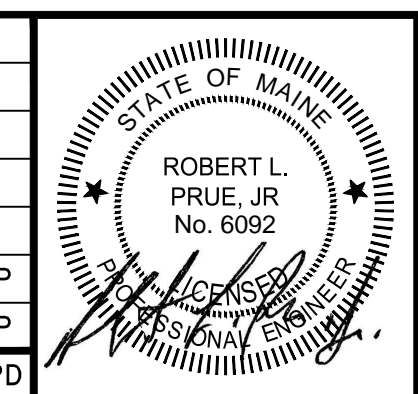


**SECTION A**

SCALE: 1" = 5'

G:\Projects\2022\22012.01\22012.01\_Details.dwg 04/09/26 1:32pm

REV	DATE	STATUS	BY	CHKD	APPD
1	4/9/2026	RE-BID FOR PHASE 1 ONLY	JET	RLP	RLP
0	3/5/2026	ISSUED FOR BIDDING	JET	RLP	RLP



DESIGNED BY:	RLP
DRAWN BY:	JET
CHECKED BY:	RLP
APPROVED BY:	RLP
DATE:	3/5/2026

**PINE TREE ENGINEERING**  
 Civil/Environmental Engineering + Surveying  
 53 Front Street  
 Bath, Maine 04530  
 Tel: (207) 443-1508  
 Fax: (207) 442-7029

CLIENT  
**MDACF, BUREAU OF PARKS & LANDS**  
 22 STATE HOUSE STATION  
 AUGUSTA, MAINE

PROJECT  
**FLOAT REPLACEMENT - PHASE 1**  
**RANGELEY LAKE STATE PARK**  
 TITLE  
**DETAILS**

SCALE	AS SHOWN
PROJECT NO.	22012.01
DRAWING NO.	22012.01 Details
SHT.	3 of 3
REV.	1