

**DOLBY LANDFILL PHASE 2 AND PHASE 3 COVER UPGRADE
MAINE BUREAU OF GENERAL SERVICES**

**ADDENDUM NO. 5
January 24, 2022**

Distribution:

Addendum No. 5 is stored on the Maine Bureau of General Services website for the Dolby Landfill Phase 2 and Phase 3 Cover Upgrade.

To All Contractors:

Please acknowledge receipt of this Addendum by inserting its number and date in the bid form. Failure to acknowledge the Addendum may subject the bidder to disqualification. This Addendum forms part of the Contract Documents and modifies them as follows:

1. Dolby Phase 2 and Phase 3 Cover Upgrade Bid Extension

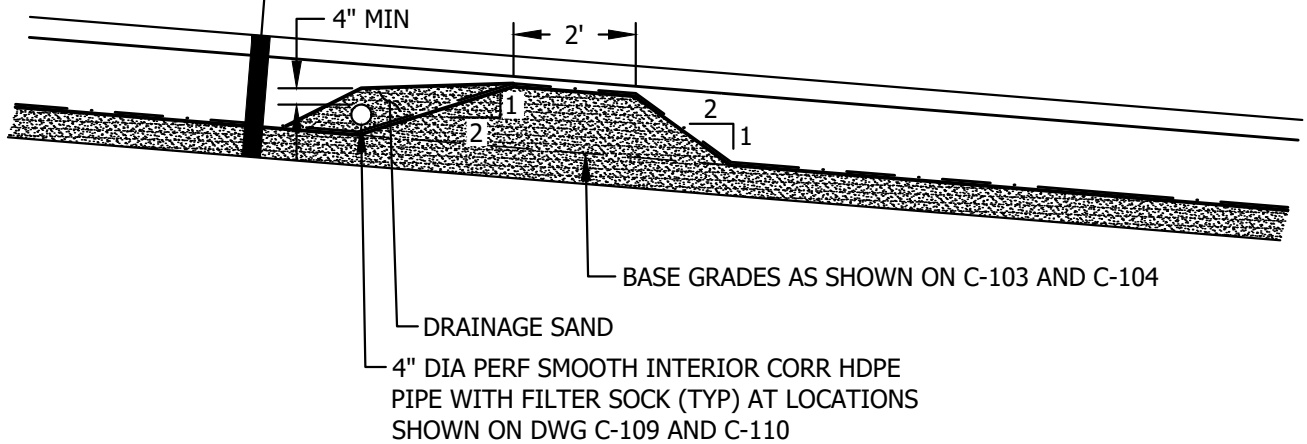
The bid due date for the Dolby Phase 2 and Phase 3 Cover Upgrade will be extended an additional week to Thursday, February 3, 2022 at 2:00 PM. This extension is due to a delay in the Maine Department of Labor issuing the 2022 wage rate schedule.

2. Clarification - Intermediate Underdrain Detail C-300

See Figure 1 for updated intermediate underdrain detail. This detail will replace the intermediate underdrain detail on sheet C-300. The detail has been updated to clarify that the downslope berm adjacent to the drainage pipe shall be constructed of drainage sand.

If you have any questions or comments regarding this Addendum, or the Contract Scope of Work for the Dolby Phase 2 and Phase 3 Cover Upgrade, please contact Nick Thompson of Sevee & Maher Engineers, Inc. 207.829.5016, DoblyPhase2@smemaine.com.

FINAL COVER SYSTEM (TYP)
SEE DETAIL THIS DWG



NOTE:
BERM FOR INTERMEDIATE UNDERDRAIN SHALL BE CONSTRUCTED WITH DRAINAGE SAND.

INTERMEDIATE UNDERDRAIN

NTS

FIGURE 1
INTERMEDIATE UNDERDRAIN DETAIL
DOLBY LANDFILL COVER UPGRADE
PHASES 2 AND 3
EAST MILLINOCKET, MAINE

SME 
SEVEE & MAHER
ENGINEERS