

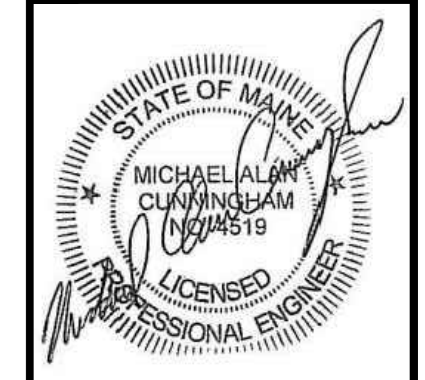
- SHEET NOTES:
- SEE GENERAL NOTES ON SO.1 FOR ADDITIONAL INFORMATION AND REQUIREMENTS.
 - EXISTING DUCTWORK CONFLICTS WITH NEW STEEL BEAM TO BE INSTALLED BELOW EXISTING FURLIN. G.C. SHALL BE RESPONSIBLE FOR RELOCATING OR REROUTING THE EXISTING DUCTWORK TO FACILITATE THE INSTALLATION OF THE STEEL BEAM.
 - G.C. SHALL BE RESPONSIBLE FOR TEMPORARILY SHORING THE EXISTING STRUCTURE TO CUT EXISTING WOOD COLUMN AND INSTALLING THE STEEL BEAM BELOW THE EXISTING FURLIN. SEE SECTION 7 ON SS.1 FOR ADDITIONAL INFORMATION (TYPICAL 4 LOCATIONS)
 - PROVIDE NEW SOFFIT AT NEW STEEL BEAM. MODIFY EXISTING SUSPENDED CEILING TILES AS REQUIRED. SEE GENERAL NOTES FOR ADDITIONAL INFORMATION & REQUIREMENTS.

NO.	DATE	REVISION
1	3-24-21	APPENDUM #1
2	3-30-21	APPENDUM #2

DRAWN BY: SAM
 CHECKED BY: MAC
 ISSUE DATE: 3-10-21
 PROJ. NO.: 2020-018

MMA Leavitt Hall / Delano Auditorium
Structural Improvements and Reroofing
 Castine, Maine BGS PROJECT # 3254

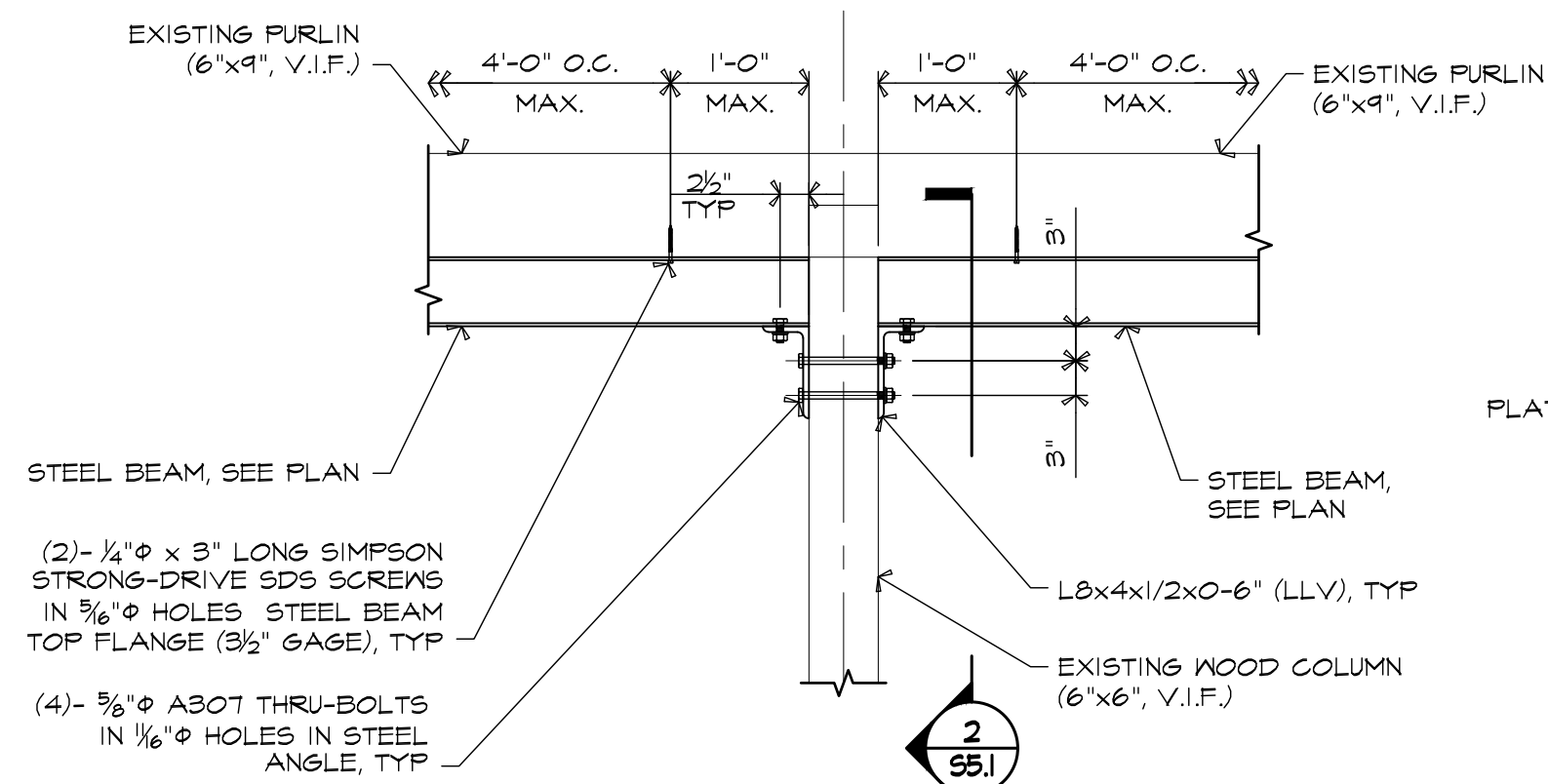
EXISTING HIGH ROOF FRAMING PLAN



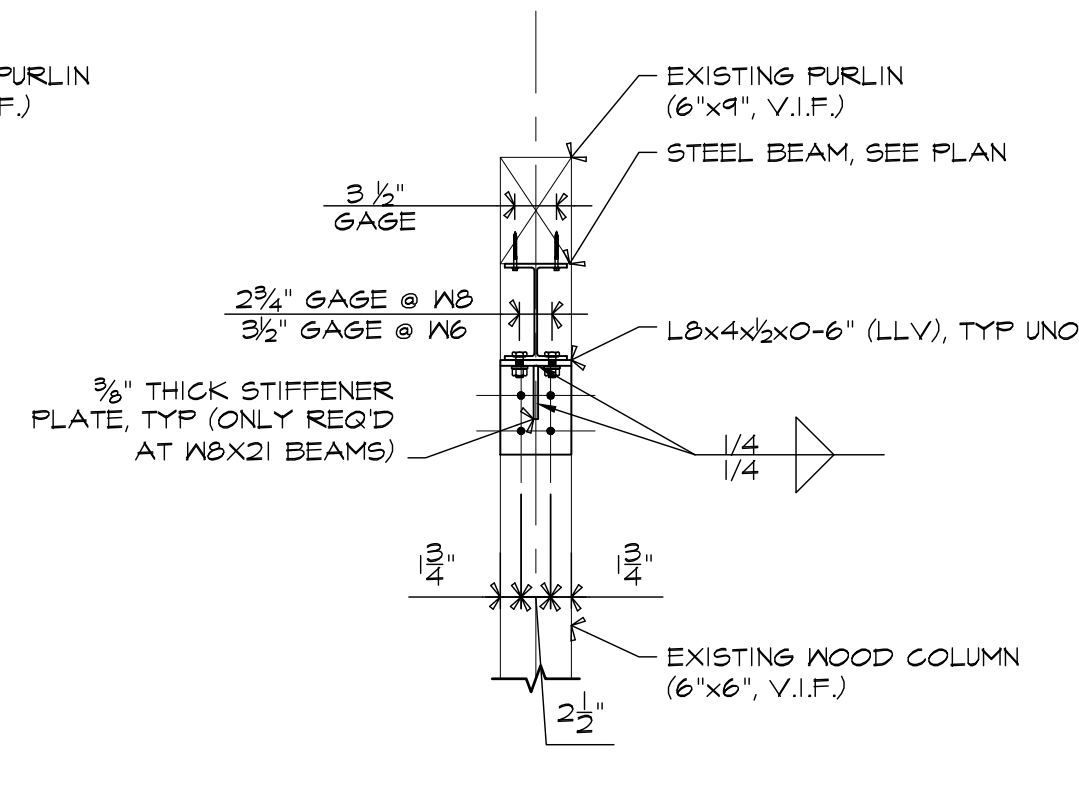
Lincoln / Haney
 Engineering Associates, Inc.
 14 Maine Street, Suite 306A
 Brunswick, Maine 04011
 Phone: 207-729-1061 Fax: 207-729-2941

S1.1

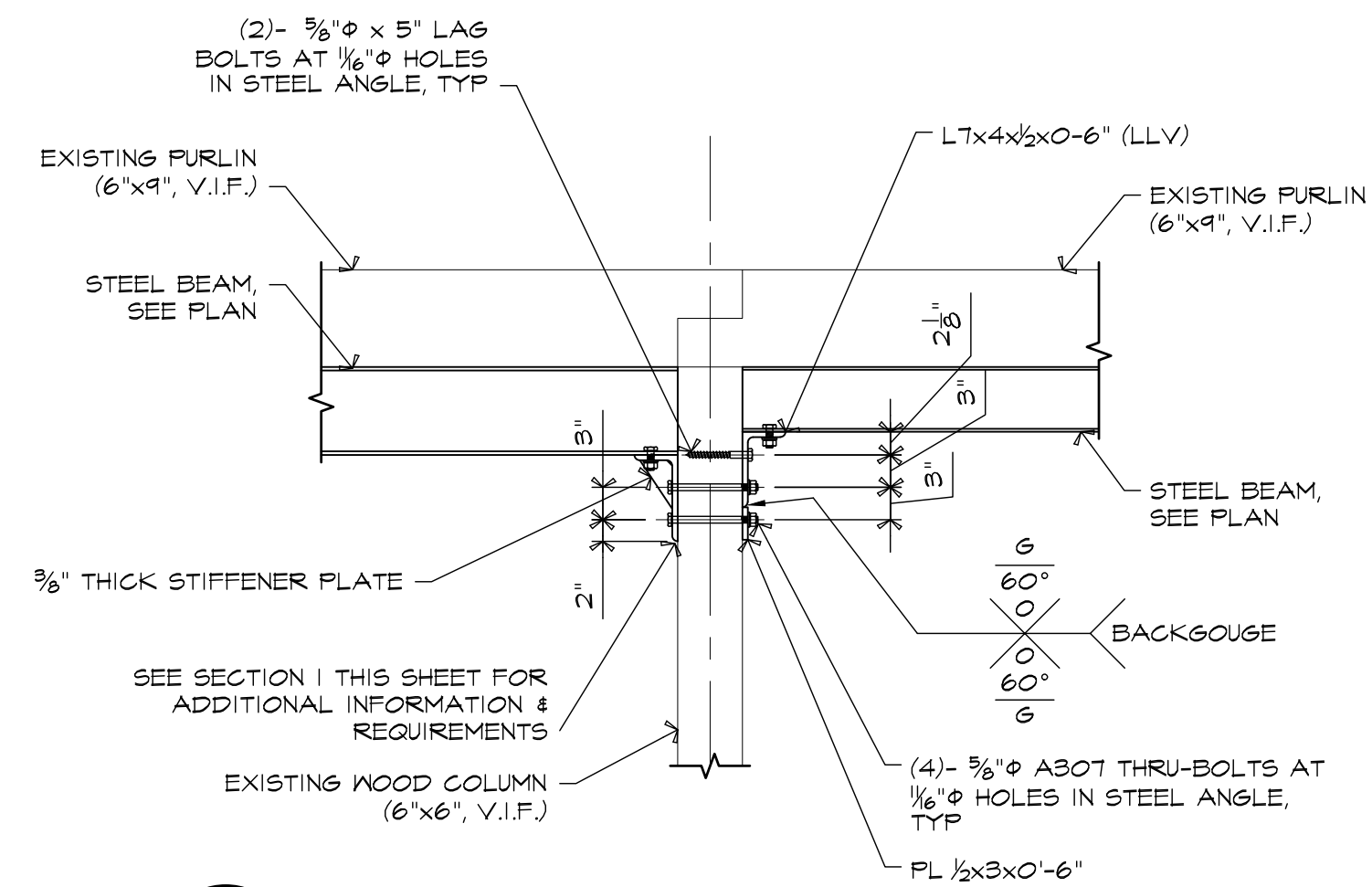
EXISTING HIGH ROOF FRAMING PLAN
1/8"=1'-0"



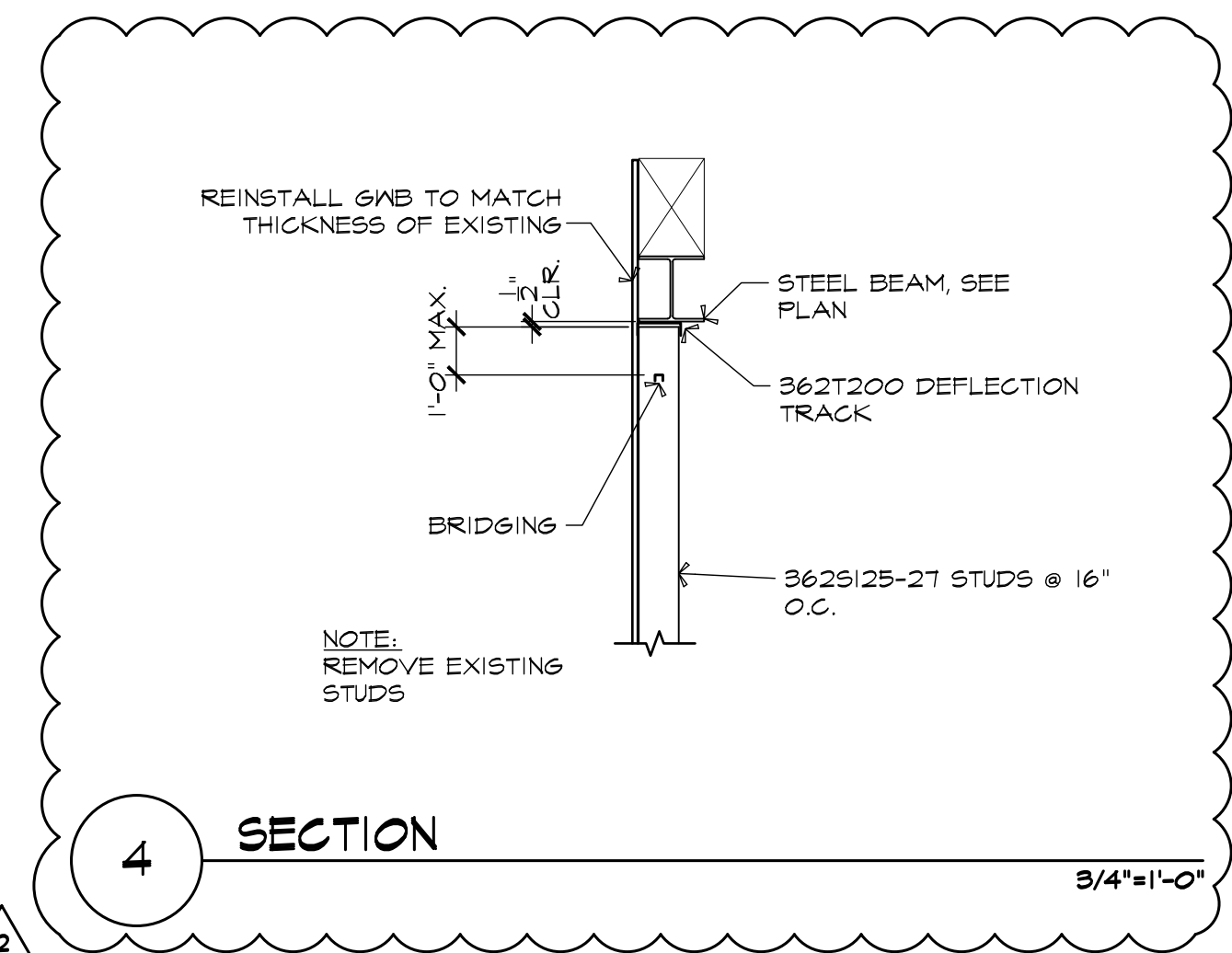
1 TYPICAL SECTION AT W6 SUPPORT
3/4"=1'-0"



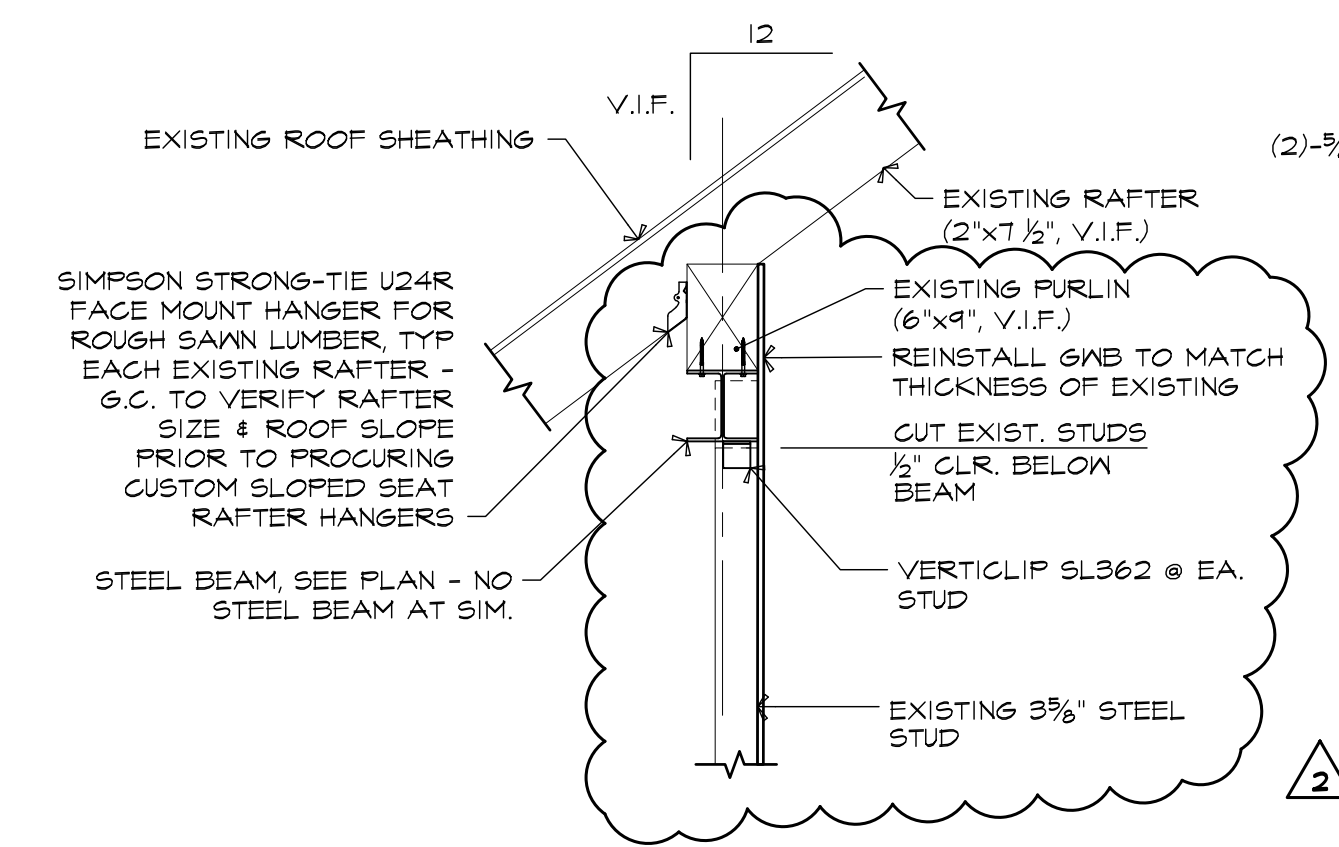
2 SECTION
3/4"=1'-0"



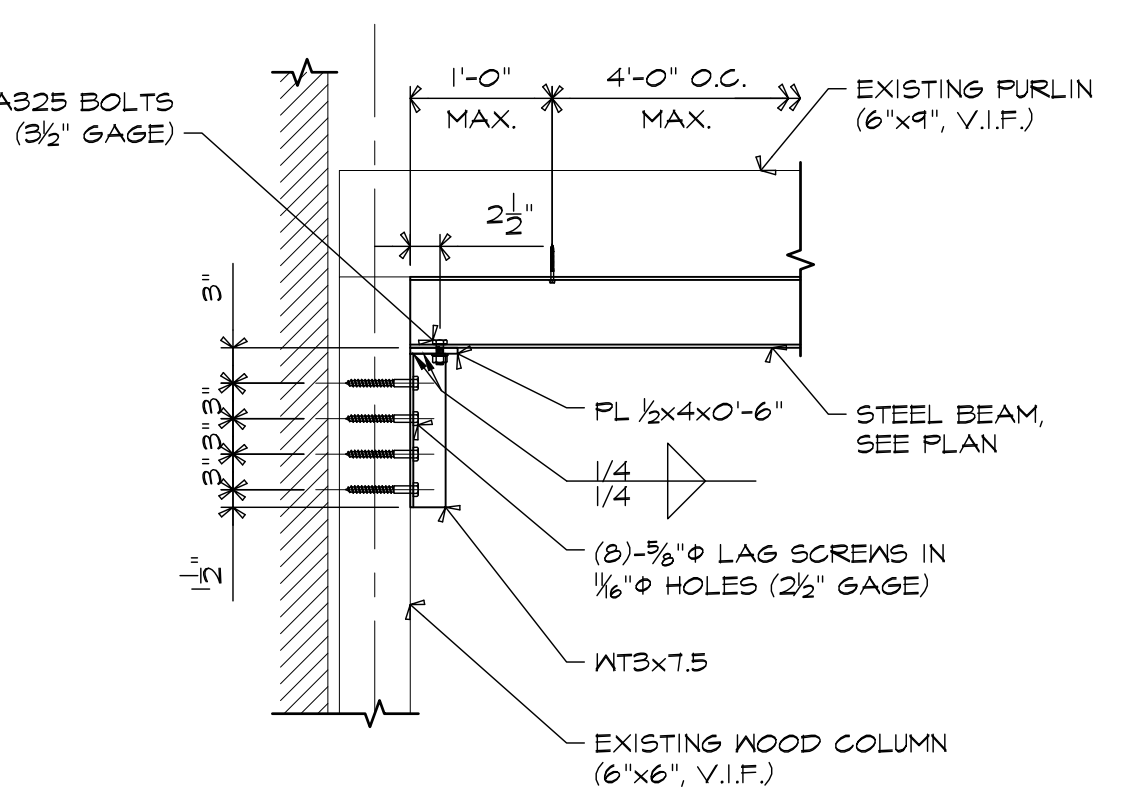
3 SECTION
3/4"=1'-0"



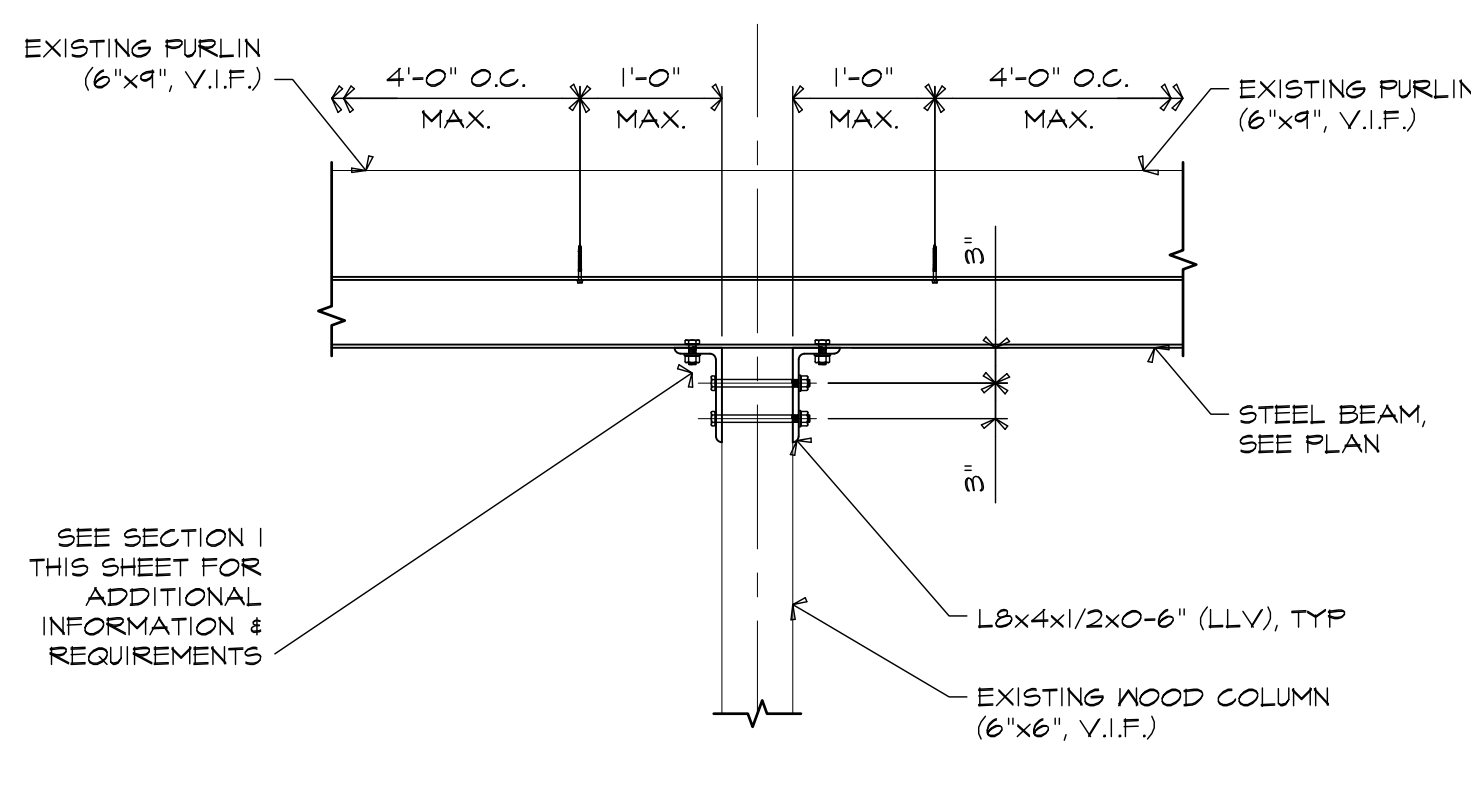
4 SECTION
3/4"=1'-0"



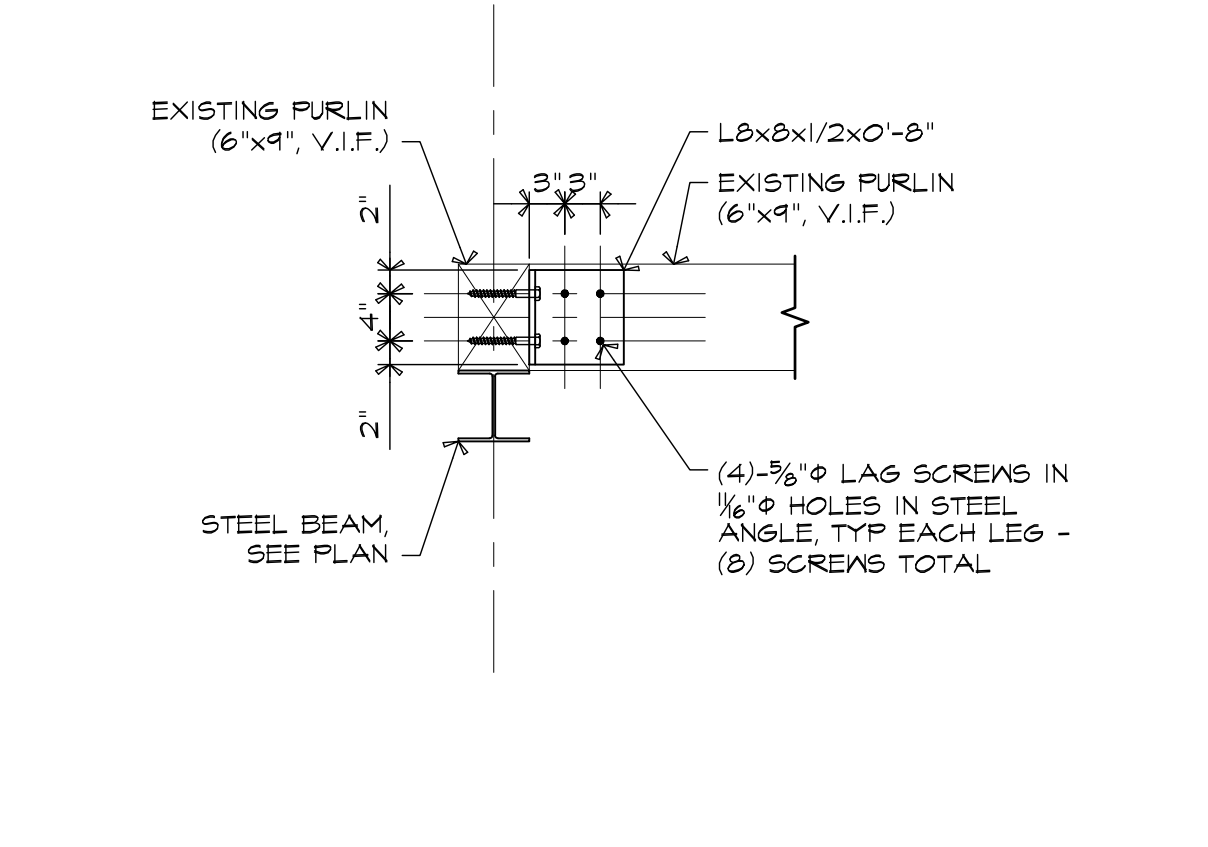
5 TYPICAL SECTION AT RAFTER SUPPORT
3/4"=1'-0"



6 SECTION
3/4"=1'-0"



7 SECTION
3/4"=1'-0"



8 SECTION
3/4"=1'-0"

DRAWN BY SAM	CHECKED BY MAC	ISSUE DATE 3-10-21	PROJECT NO. 2020-018	REVISION
				APPENDUM #1
MMA Leavitt Hall / Delano Auditorium Structural Improvements and Reroofing Castine, Maine BGS PROJECT # 3254				DATE 3-24-21
SECTIONS AND DETAILS				APPENDUM #2
Lincoln / Haney Engineering Associates, Inc. 14 Maine Street, Suite 306A Brunswick, Maine 04011 Phone: 207-729-1061 Fax: 207-729-2941				NO. 2
S5.1				