

Addendum Transmittal

PROJECT	Downeast Correctional Facility 19176	DATE SENT	8/28/2020
SUBJECT	ADDENDUM 2-DCF Men's Reentry	ADDENDUM ID	ADD-02-DCF MRC
		TRANSMITTAL ID	00049
PURPOSE	For Bid	VIA	Info Exchange

FROM

NAME	COMPANY	EMAIL	PHONE
Document Control	SMRT	DocCtrl@smrtinc.com	

TO

NAME	COMPANY	EMAIL	PHONE

The specifications and drawings are amended herein. These items replace original items previously issued or are to be added to the Bidding and Construction Documents as indicated.

Bidders are required to acknowledge receipt of this addendum on the BID FORM in the space provided. Failure to acknowledge all addenda may cause the bid to be considered not responsive to the invitation, which would require rejection of the Bid.

The Contract Documents for solicitation of Bids for the construction are hereby changed as follows:

DESCRIPTION: Please find attached Addendum #2. This addendum forms a part of the bidding and contract documents and contains additional Security drawings.

All bidder request for information must be received by August 31, 2020 by 4pm. All questions will be answered in Addendum #3.

REMARKS: **Created by: Shantall Moniz-Vargas**
Description:

Please find attached Addendum #2. This addendum forms a part of the bidding and contract documents and contains additional Security drawings.

All bidder request for information must be received by August 31, 2020 by 4pm. All questions will be answered in Addendum #3.

Addendum Transmittal

DATE: 8/28/2020

ID: 00049

DESCRIPTION OF CONTENTS

QTY	DATED	TITLE	NUMBER	SCALE	SIZE	NOTES
1	8/28/2020	19176-01_ADD02_200828.pdf				
1	8/27/2020	TY104-19176.pdf				
1	8/27/2020	TY651-19176.pdf				

Addendum 02

SMRT Architects and Engineers

877.700.7678

smrtinc.com

To	David Schoenherr	Date	August 28, 2020
For	Downeast Correctional Facility – Men's Reentry Center	Project No.	19176-01

This addendum forms a part of the bidding and contract documents.

Bidders are required to acknowledge receipt of this addendum on their proposal. Failure to acknowledge all addenda may cause the bid to be considered not responsive to the invitation, which may require rejection of the bid.

PART I – QUESTIONS/ANSWERS/INFORMATION RELATING THE PROJECT:

These items provide supplemental information to the Contract Drawings and Specifications without modification.

Part I-A – Attachments

Bidders Attendee List (200824-Bidders List.pdf)

Part I-B – Bidder Questions/Clarifications:

BIDDER QUESTIONS	
Q1.	None
Q2.	

CLARIFICATIONS TO BIDDERS	
C1.	None
C2.	

PART II - MODIFICATIONS TO DRAWINGS AND MATERIAL SPECIFICATIONS:

Part II-A – Attachments.

The following items are attached to and are part of this Addendum. These items replace original items previously issued or are to be added to the Bidding and Construction Documents as indicated.

1. New Drawing **TY104** – Technology Plan. Exterior Camera information. Card reader/Door security information. 24 RU Data cabinet & ACP
2. New Drawing **TY651** – Technology Single line diagram.

Part II-B – Revisions by Reference:

The drawings and specifications are hereby revised as follows:

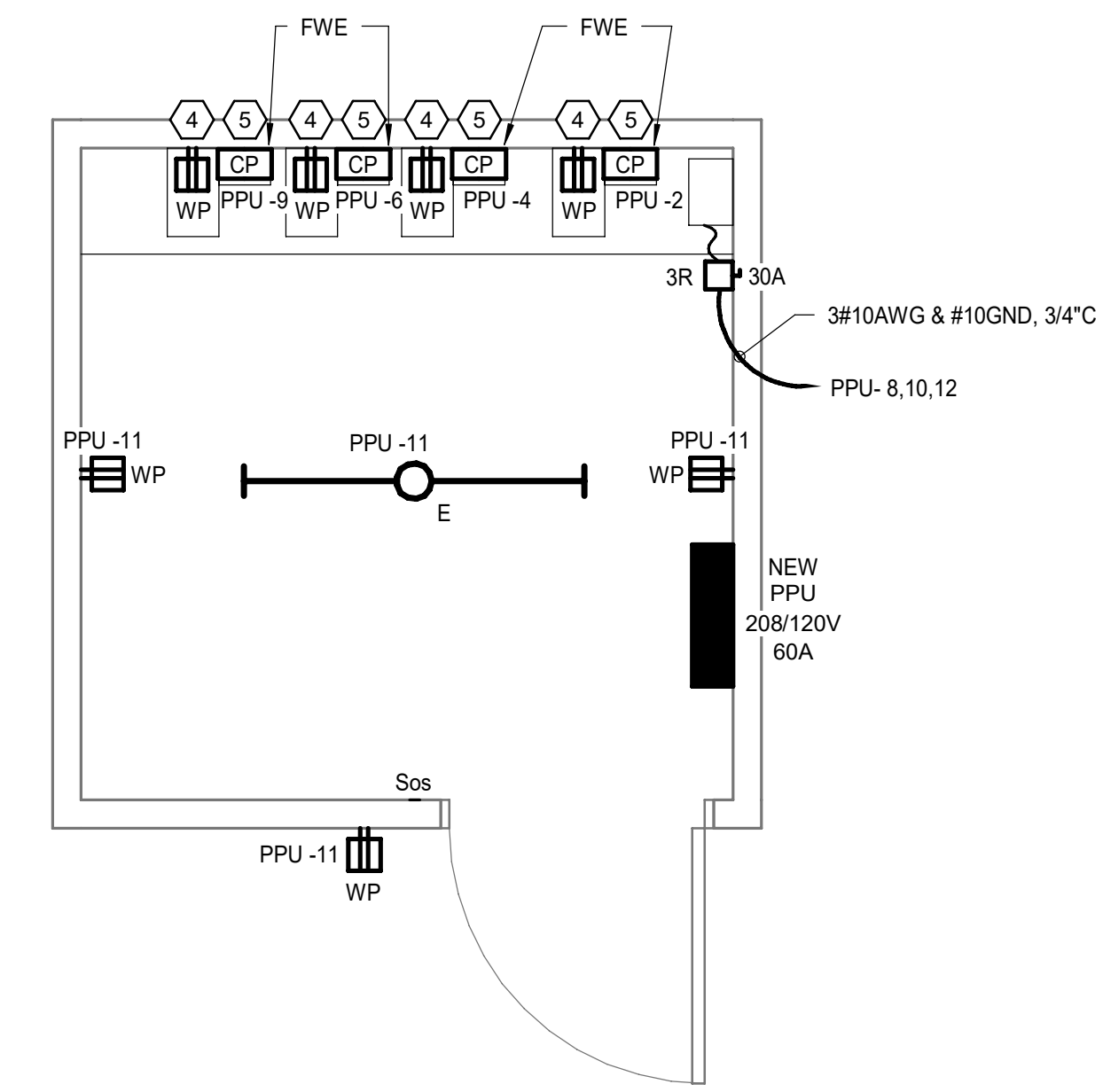
REVISIONS TO SPECIFICATIONS

None

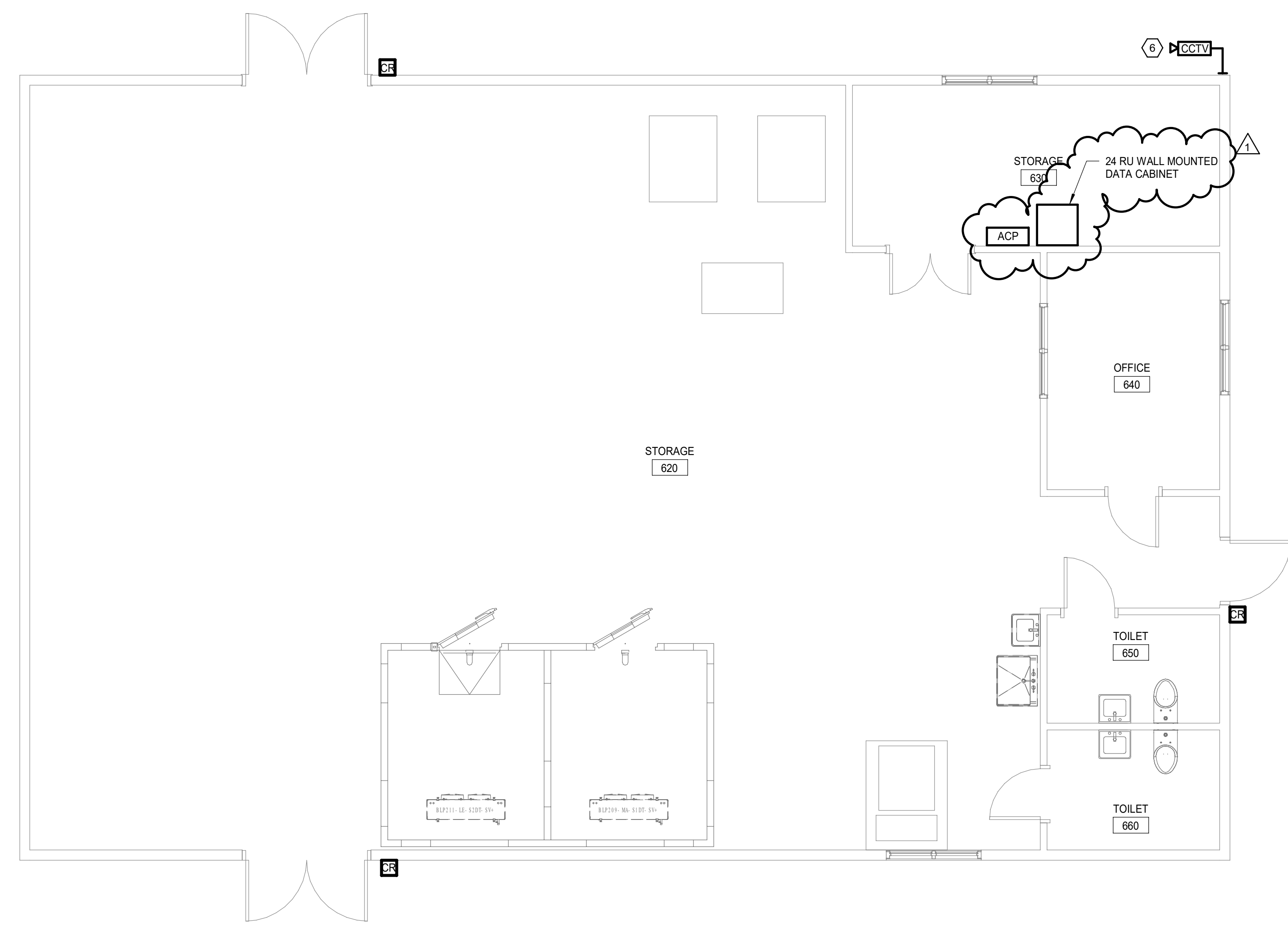
REVISIONS TO DRAWINGS

None

DIRECTORY	KVA LOAD			CCT NO.	BKR AMPS	A	B	C	BKR AMPS	CCT NO.	KVA LOAD			DIRECTORY			
	A	B	C								A	B	C				
SPARE	-	-	-	1	20				30	2	2.0		BLOWER CONTROL PANEL				
SPARE	-	-	-	3	20				30	4	2.0		BLOWER CONTROL PANEL				
SPARE	-	-	-	5	20				30	6	2.0		BLOWER CONTROL PANEL				
SPARE	-	-	-	7	20				30	8	2.5						
BLOWER CONTROL PANEL		2.0		9	30				30	10	2.5		ELECTRIC SPACE HEATER				
UTILITY BUILDING LTG/RECEPTS			0.8	11	20				30	12	2.5						
SPARE				13	20				30	14			SPARE				
SPARE				15	20				30	16			SPARE				
SPARE				17	20				30	18			SPARE				
SPACE				19					20				SPACE				
SPACE				21					22				SPACE				
SPACE				23					24				SPACE				
SPACE				25					26				SPACE				
SPACE				27					28				SPACE				
SPACE				29					30				SPACE				
SUB-TOTAL				0.0	2.0	0.8	NEUTRAL BUS				4.5	4.5	4.5	GROUND BUS	4.9	PANEL NO.	PPU
VOLTAGE:				208Y/120V	3 PHASE	4 WIRE	100 AMP BUS	TOTAL KVA				A	4.9				
MAIN BREAKER:							100 AMP TRIP	TOTAL KVA				B	6.7				
MOUNTING:				SURFACE			TOTAL KVA				C	5.5	LOCATION				
SC RATING:				10,000 AIC			TOTAL KVA					17.1	UTILITY BUILDING				
NOTES: (1) PANELBOARD TO BE PROVIDED WITH A NEMA 4 ENCLOSURE.																	



UTILITY BUILDING 1
1/2" = 1'-0"

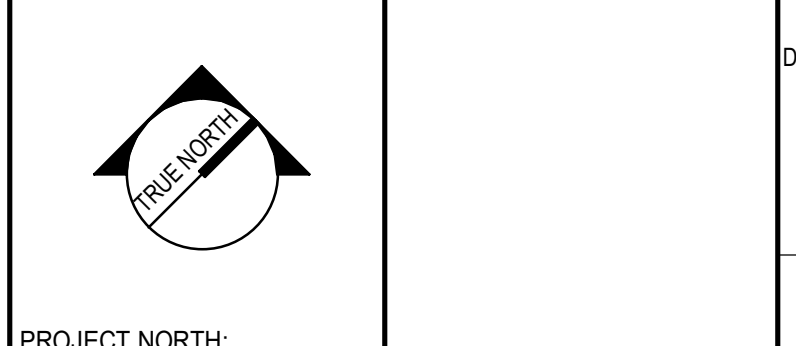


LEVEL 1 TECHNOLOGY PLAN 1
1/4" = 1'-0"

- NOTES:**
- SEE SHEET E-001 FOR LEGEND AND GENERAL NOTES.
 - WHERE CARD READERS ARE SHOWN, PROVIDE A FULLY FUNCTIONING CARD ACCESS CONTROLLED DOOR. PROVIDE CARD READER AS SHOWN. COORDINATE LOCATION WITH ARCHITECTURE. PROVIDE DOOR CONTACTS AND COMPOSITE CABLE TO NEAREST ACP. DOOR HARDWARE FURNISHED AND INSTALLED BY DIVISION 8 AND CONNECTED BY THIS CONTRACTOR. COORDINATE WITH DIVISION 8 FOR REQUEST TO EXIT SWITCH IN DOOR HARDWARE. IF NO REX IS PROVIDED IN DOOR HARDWARE, PROVIDE A MOTION DETECTOR STYLE REX ABOVE THE DOOR.
- KEYED NOTES:**
- INSTALL LIGHTS AND CONTROL SWITCHES SHIPPED LOOSE WITH WALK-IN COOLER / FREEZER. PROVIDE POWER FOR LIGHTS, DOOR FRAME HEATERS, PRESSURE RELIEF PORT AND OTHER ASSOCIATED CONTROLS. COORDINATE ALL LOCATIONS OF ELECTRICAL CONNECTIONS WITH EQUIPMENT SUPPLIER. ALL ELECTRICAL CONDUITS PENETRATING THROUGH WALK-IN COOLER / FREEZER ENCLOSURES TO BE SEALED TO STOP MOISTURE TRANSFER THROUGH RACEWAYS.
 - PROVIDE 5 #12 AWG THHN CONDUCTORS FROM CONDENSING UNIT MOUNTED ABOVE FREEZER AND COOLER TO THE EVAPORATOR COILS INSIDE FREEZERS & COOLERS. COORDINATE ALL LOCATIONS OF ELECTRICAL CONNECTIONS WITH EQUIPMENT SUPPLIER. ALL ELECTRICAL CONDUITS PENETRATING THROUGH WALK-IN COOLER / FREEZER ENCLOSURES TO BE SEALED TO STOP MOISTURE TRANSFER THROUGH RACEWAYS.
 - PROVIDE TWO 1" CONDUITS FROM BLOWER CONTROL PANEL TO NITROGEN REDUCTION TANK. PROVIDE EY SEALS AT CONDUIT PENETRATIONS TO TANK TO MAINTAIN SEAL FROM HAZARDOUS LOCATION. IN ONE CONDUIT RUN 2#12AWG & #12GND FOR PUMP MOTOR AND IN THE SECOND CONDUIT RUN FLOAT SWITCH WIRING CABLE FURNISHED BY TANK INSTALLER.
 - PROVIDE GFCI RECEPTACLE WITH IN USE WEATHERPROOF COVER. SEE SHEET CE607 FOR MOUNTING HEIGHT OF RECEPTACLES. RECEPTACLES TO BE FED FROM A CIRCUIT BREAKER IN THE NITROGEN REDUCTION SYSTEM CONTROL PANEL. COORDINATE ALL WORK WITH EQUIPMENT INSTALLER.
 - PROVIDE POWER FOR NITROGEN REDUCTION TANK CONTROL PANEL AND WIRING FROM CONTROL PANEL TO BLOWER MOTORS, PUMPS AND FLOAT SWITCHES. WIRING TO THE CONTROL PANEL SHALL BE 2#10AWG & #10GND, 3/4"C AND WIRING FROM CONTROL PANEL TO AUXILIARY EQUIPMENT TO BE 2#12AWG & #12GND. COORDINATE WITH EQUIPMENT SUPPLIER FOR EXACT LOCATIONS OF ALL ELECTRICAL CONNECTIONS.
 - CORNER MOUNTED PTZ CAMERA, MOUNTED AT 12'-0" ABOVE FINISHED GRADE.

REV	DESCRIPTION	DATE
1	ADDENDUM #2	08-28-20
0	ADDENDUM #1	8-25-20

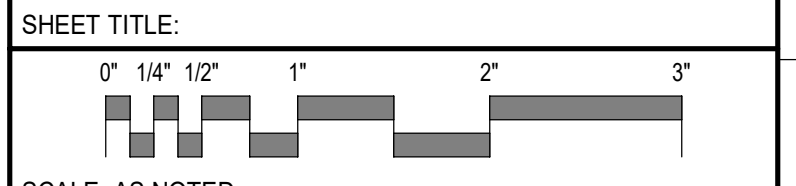
ADDENDUM #2
08-28-20



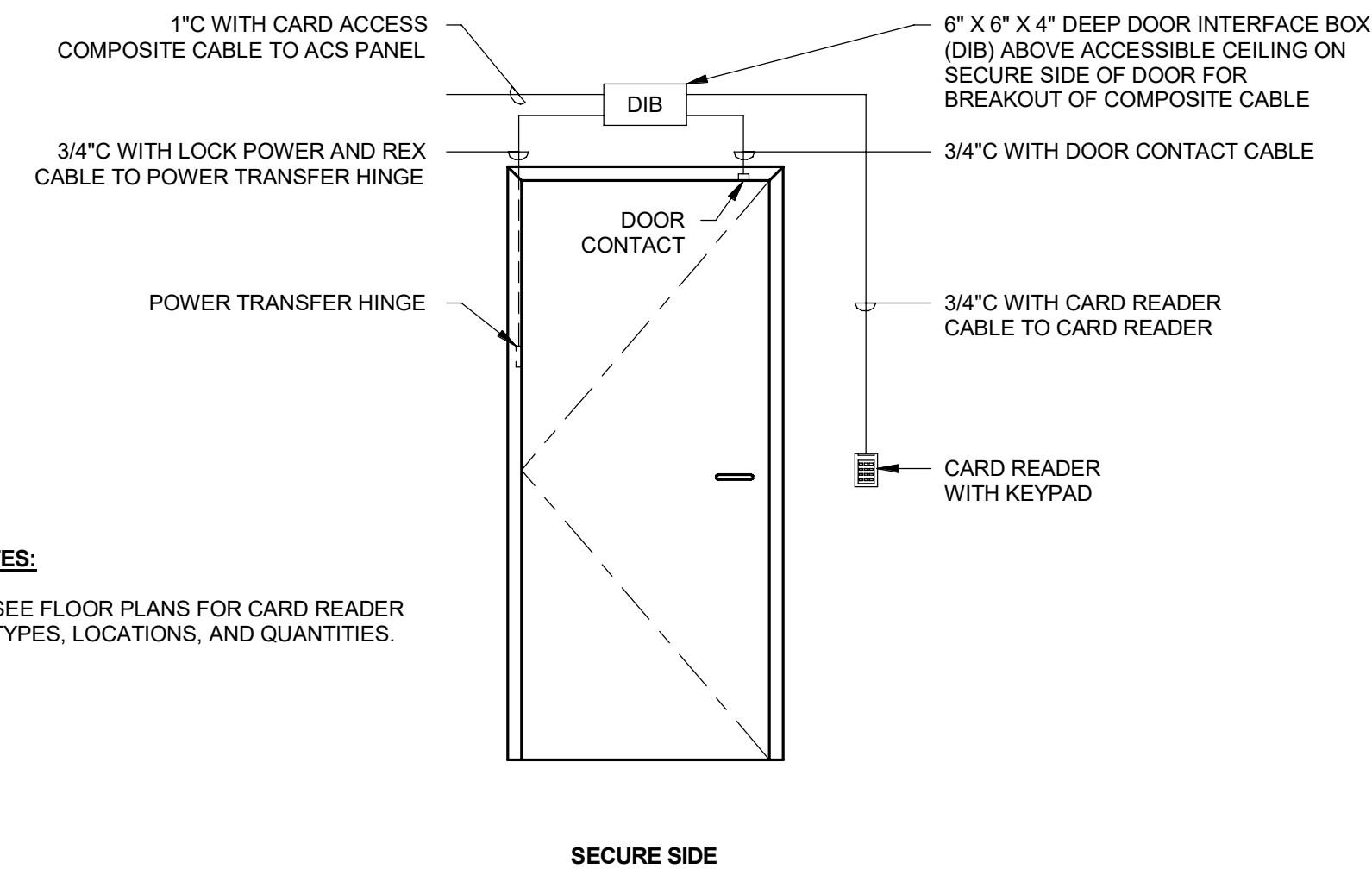
PROJECT NORTH:
SMRT SMRT Architects and Engineers
75 Washington Ave - Suite 3A
Portland, Maine 04101
1.877.700.7678
www.smrtinc.com

MDOC - DCF
MEN'S RE-ENTRY CENTER

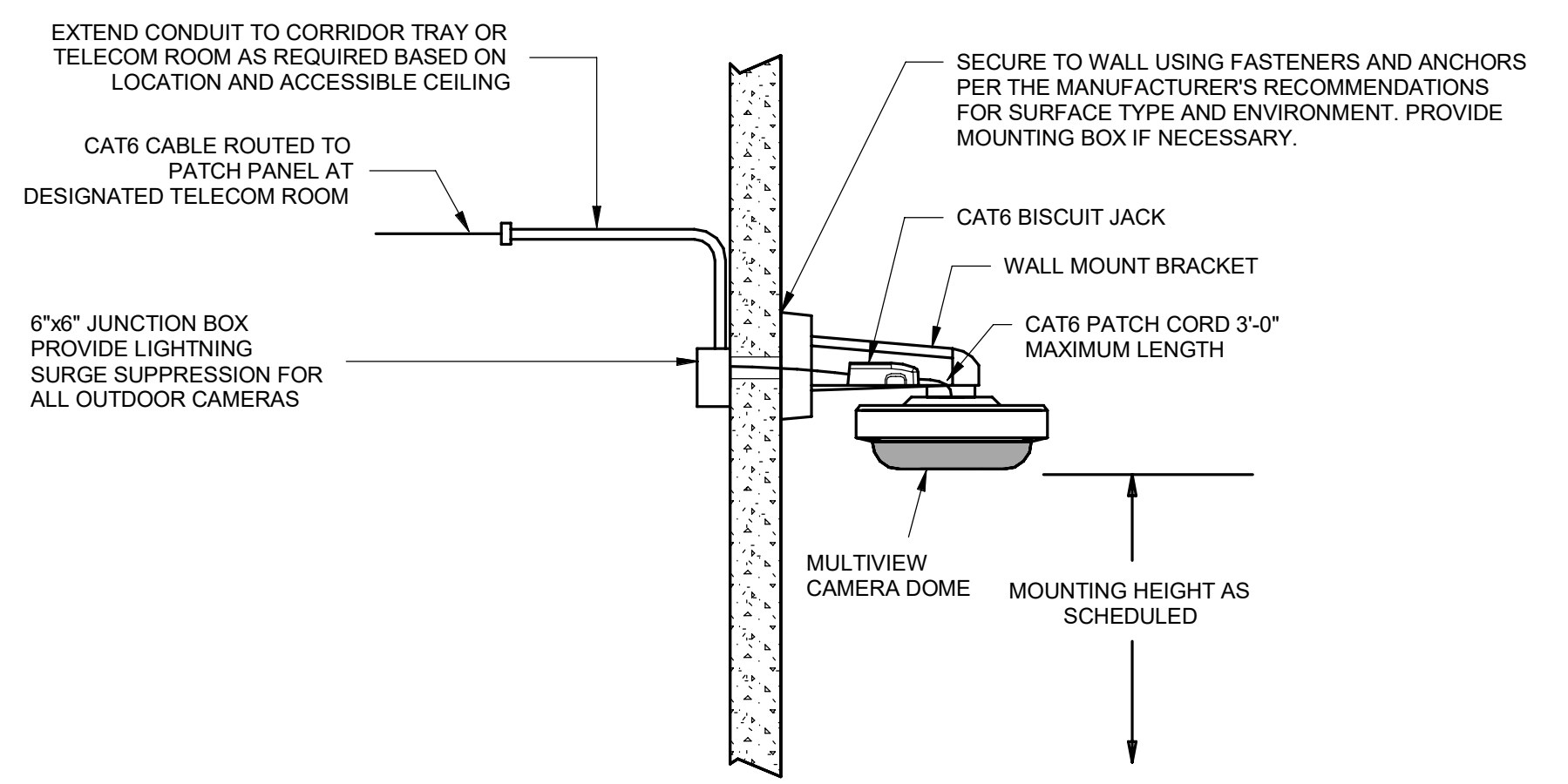
STORAGE BUILDING -
TECHNOLOGY PLAN



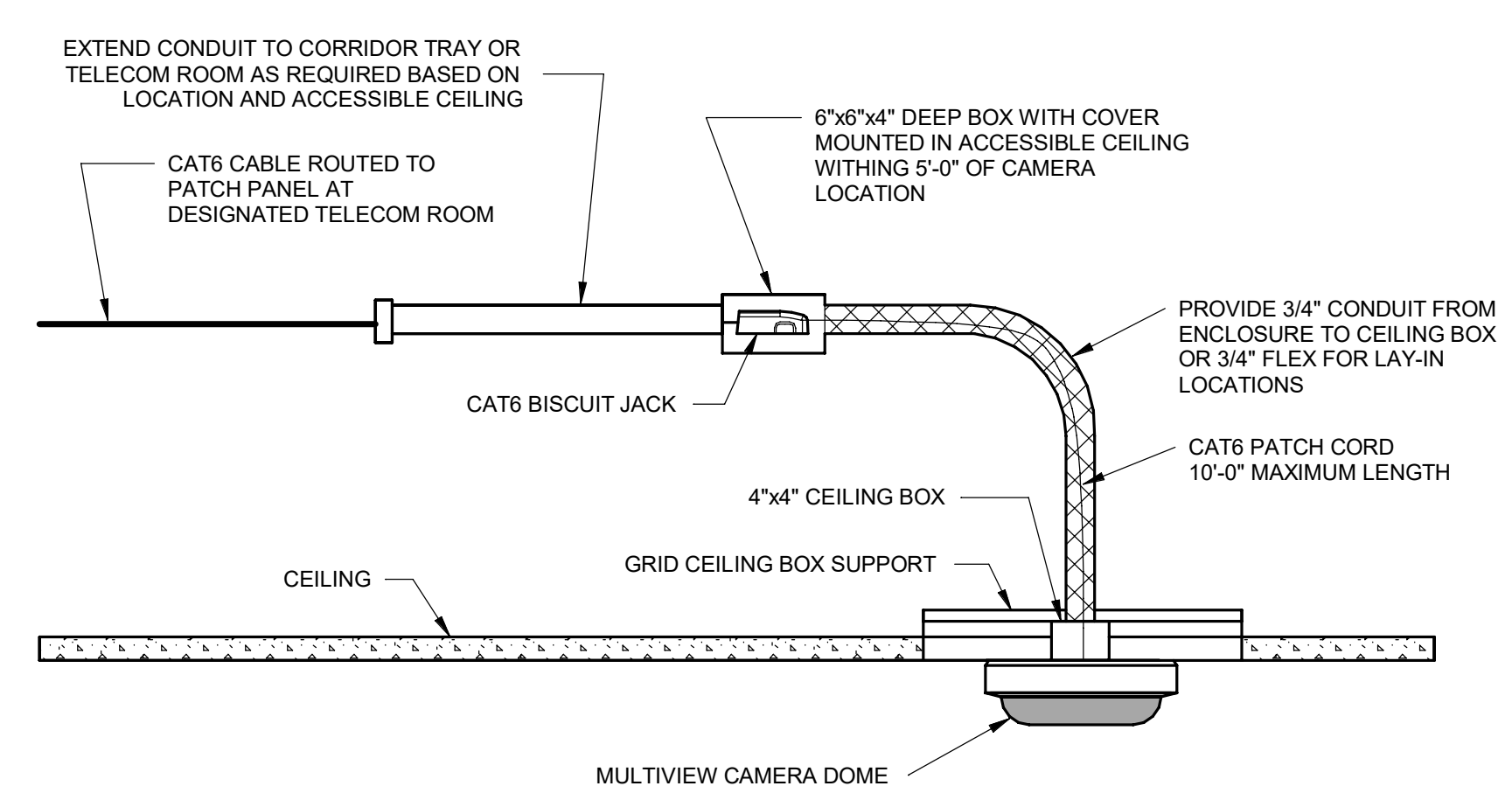
SCALE: AS NOTED
PROJECT MANAGER: JGJ PROJECT NO: 19176
A/E OF RECORD: DJT
JOB CAPTAIN: CBM
DRAWN BY: TAR
SMRT FILE: TY104-19176 SHEET No. TY104



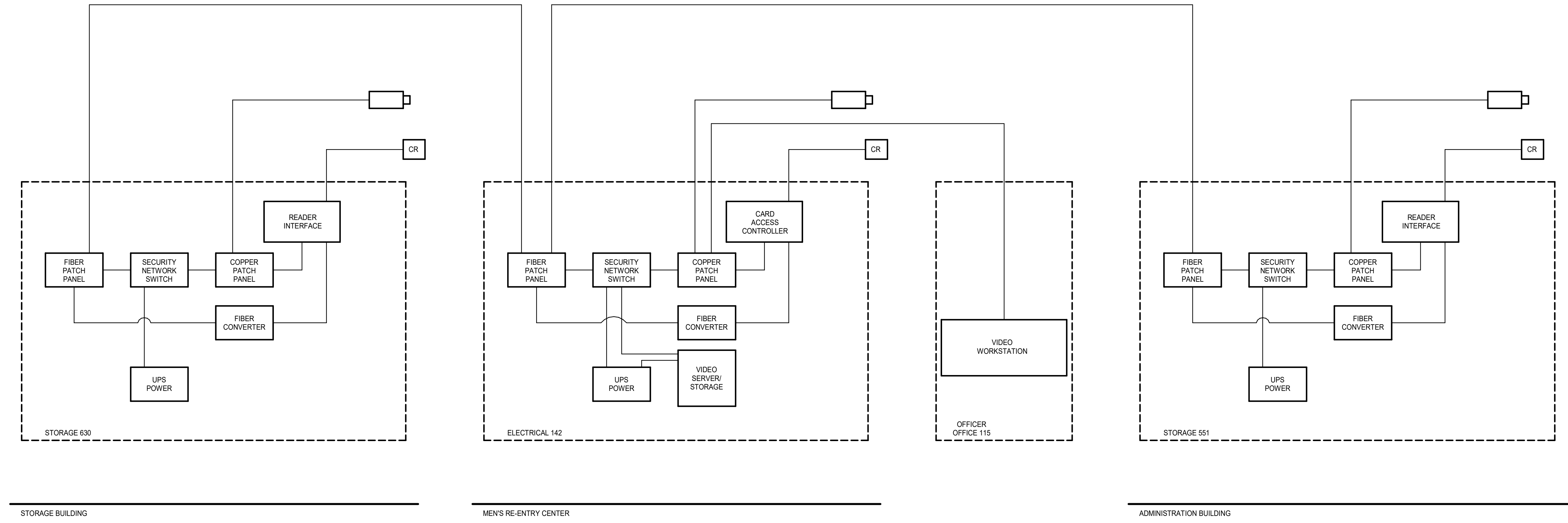
ACS - SINGLE DOOR (H11)
1/2" = 1'-0"



CAMERA DOME - EXTERIOR CONCRETE WALL CONSTRUCTION (H6)
1/2" = 1'-0"



CEILING MOUNTED FIXED CAMERA - TYPICAL MOUNTING (H1)
1/2" = 1'-0"



REV	DESCRIPTION	DATE
1	ADDENDUM #2	08-28-20
0	ADDENDUM #1	8-25-20

ADDENDUM #2
08-28-20

CURRENT ISSUE STATUS:

SMRT SMRT Architects and Engineers
75 Washington Ave - Suite 3A
Portland, Maine 04101
1.877.700.7678
www.smrtninc.com

MDOC DCF
MEN'S RE-ENTRY CENTER

MACHIASPORT, MAINE

TECHNOLOGY SINGLE LINE
DIAGRAM & DETAILS

SHEET TITLE:

SCALE: AS NOTED

PROJECT MANAGER: JGJ PROJECT NO: 19176

A/E OF RECORD: DJT

JOB CAPTAIN: CBM

DRAWN BY: TAR

SMRT FILE: TY651-19176 SHEET No.

TY651