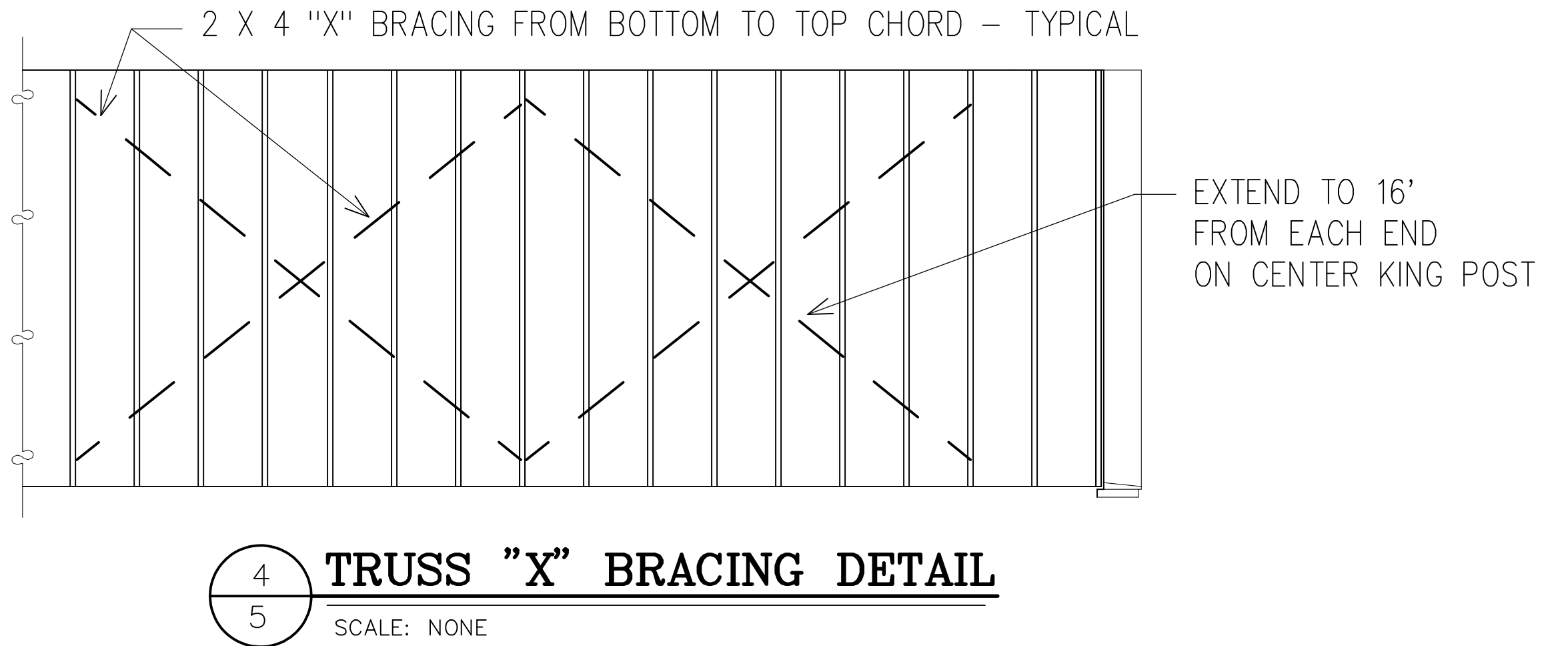
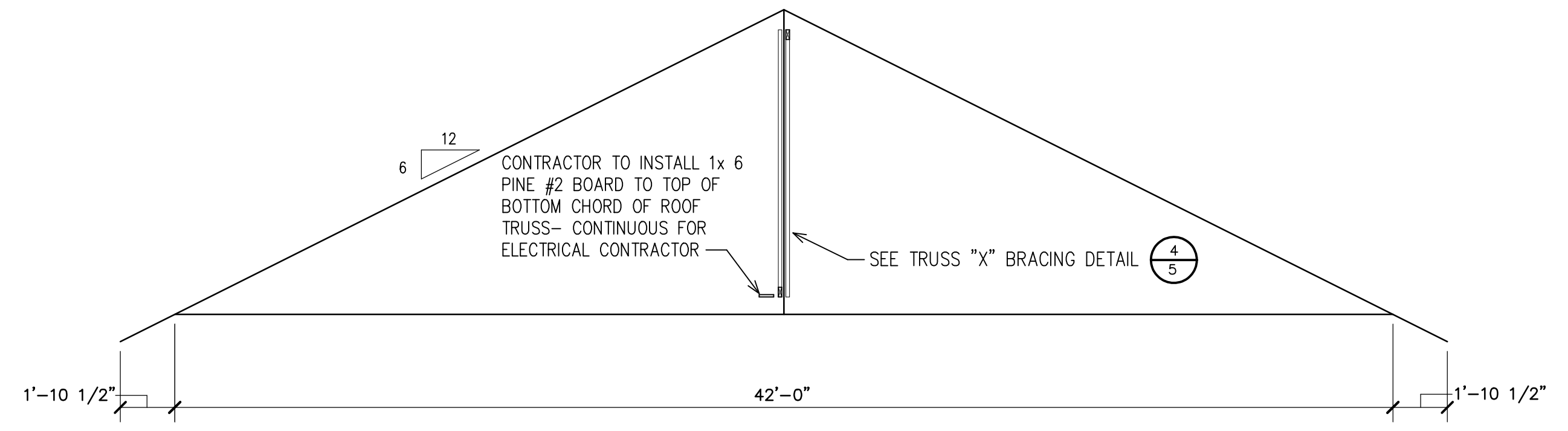


WINDOW & DOOR DETAILS

SCALE: 1 1/2" = 1'-0"



4 TRUSS "X" BRACING DETAIL
SCALE: NONE

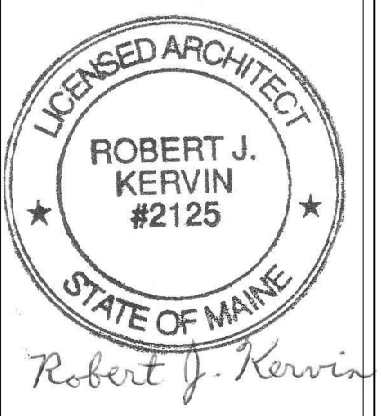


TRUSS SCHEMATIC

SCALE: 1/4"=1'-0"

TRUSS DESIGN NOTES:

1. TRUSS DESIGN BASED UPON GROUND SNOW LOAD $P_g = 100$ PSF
2. USE MIN. 85 PSF SNOW LOAD USE 95 PSF TOTAL LOAD
3. DESIGN TO INCLUDE UNBALANCED SNOW LOAD CONDITIONS
4. PROVIDE TRUSS DESIGN SUBMITTAL TO PROJECT ARCHITECT FOR REVIEW
5. TRUSS MANUFACTURER TO PROVIDE BRACING REQUIREMENTS IN ADDITION TO THOSE SHOWN ON DETAILS



ARCHITECTURAL DESIGNS BY
Robert J. Kerwin,
Architect
896 BANGOR STREET
HODGDON, MAINE 04730
Maine Licensed Architect
Tel. 207-632-3247
Cell 207-538-6778

PROJECT:
**MAINE FOREST SERVICE
COLD STORAGE BUILDING
BGS PROJECT NO. 2849
AIRPORT ROAD
FORT KENT, MAINE**

OWNER:
**DEPT. OF CONSERVATION
MAINE FOREST SERVICE
45 RADAR ROAD
ASHLAND, MAINE
04732**

SHEET TITLE:
**WINDOW & DOOR DETAILS
LATERAL BRACING DETAILS
TRUSS SCHEMATIC**

DRAWN BY: RVC
PROJ. DATE: OCTOBER 28, 2020
SCALE: AS NOTED
PROJECT NO.: 9-20
REVISIONS: 02/21/21-UPDATED FOUNDATION INSULATION

FOR CONSTRUCTION
DATE: FEBRUARY 4, 2021

SHEET NUMBER:
5
OF
5