

ARCHITECTURAL DESIGNS BY
Robert J. Kervin,
 Architect
 896 BANGOR STREET
 HODGDON, MAINE 04730
 Maine Licensed Architect
 Tel. 207-532-3247
 Cell 207-536-6778

PROJECT:
**MAINE FOREST SERVICE
 COLD STORAGE BUILDING
 BGS PROJECT NO. 2849
 AIRPORT ROAD
 FORT KENT, MAINE**

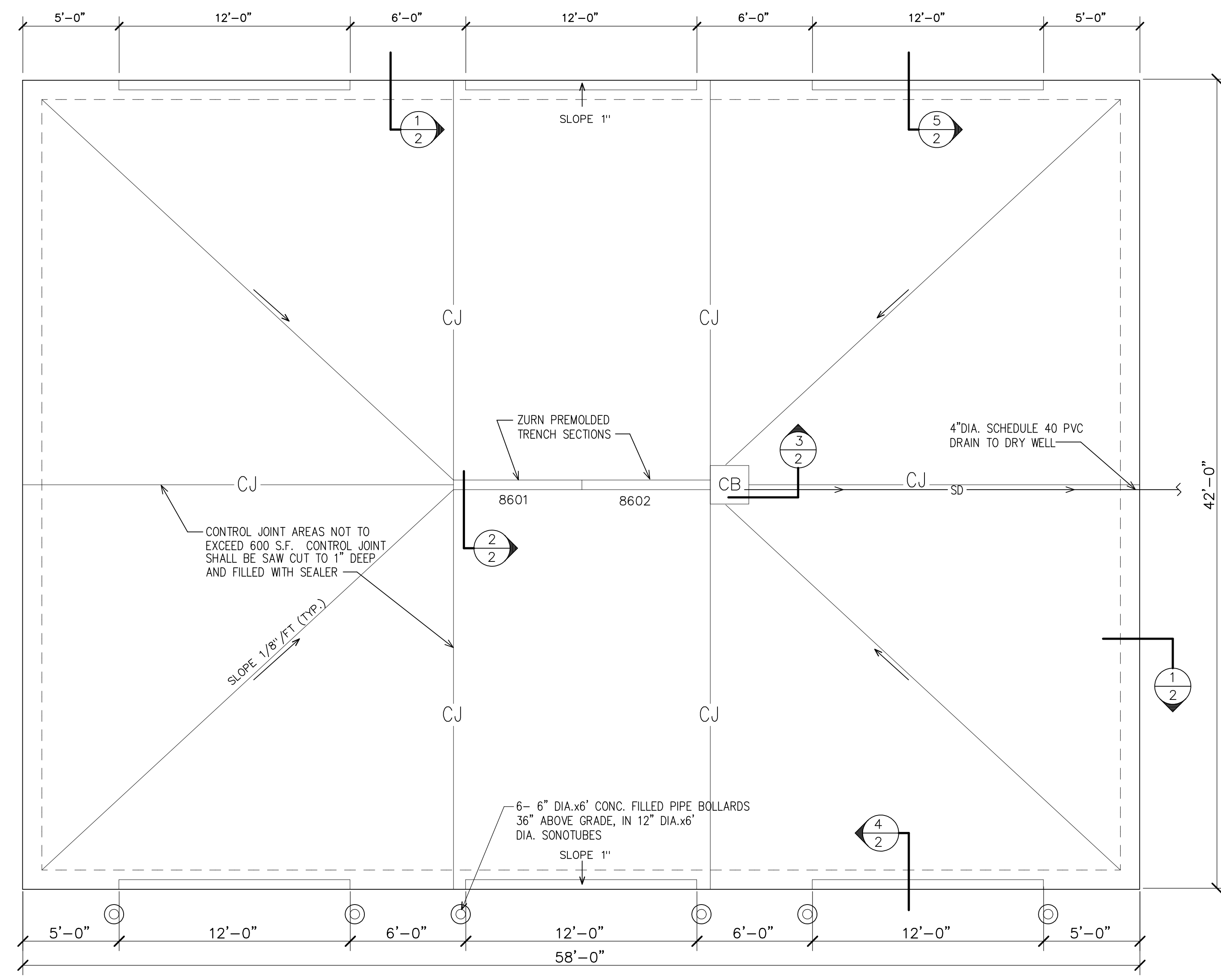
OWNER:
**DEPT. OF CONSERVATION
 MAINE FOREST SERVICE
 45 RADAR ROAD
 ASHLAND, MAINE
 04732**

SHEET TITLE:
**FOUNDATION PLAN
 SECTIONS & DETAILS**

RVC
 DRAWN BY: PROJ. DATE: OCTOBER 28, 2020
 SCALE: AS NOTED
 PROJECT NO.: 9-20
 REVISIONS: 02/21/21-REVISED
 TYPICAL FOUNDATION SECTION
 1/2 TO INCLUDE PERIMETER
 RIGID INSULATION

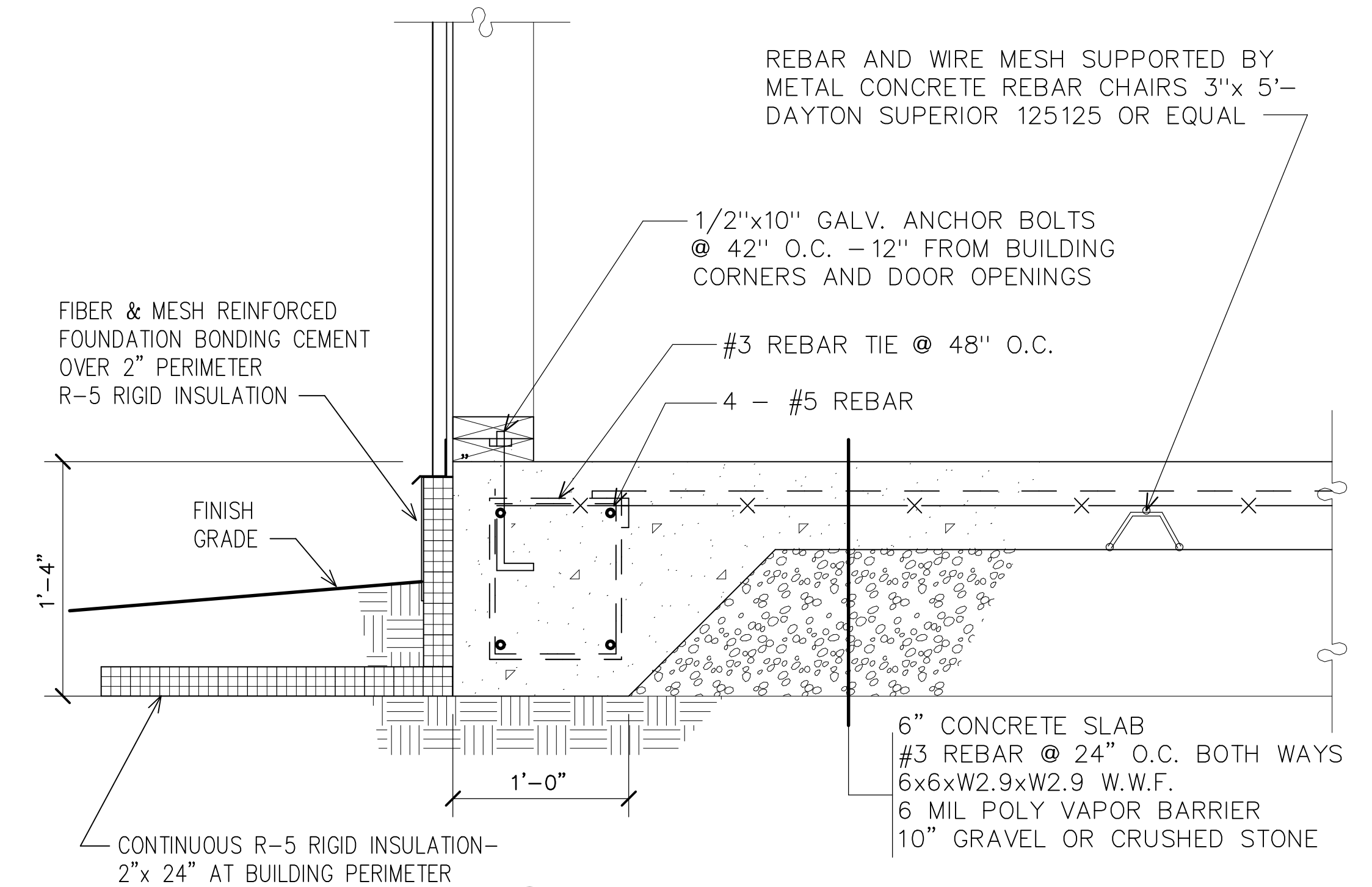
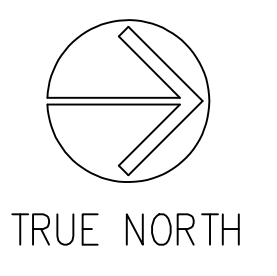
FOR CONSTRUCTION
 DATE: FEBRUARY 4, 2021

SHEET NUMBER:
2
 OF
 5



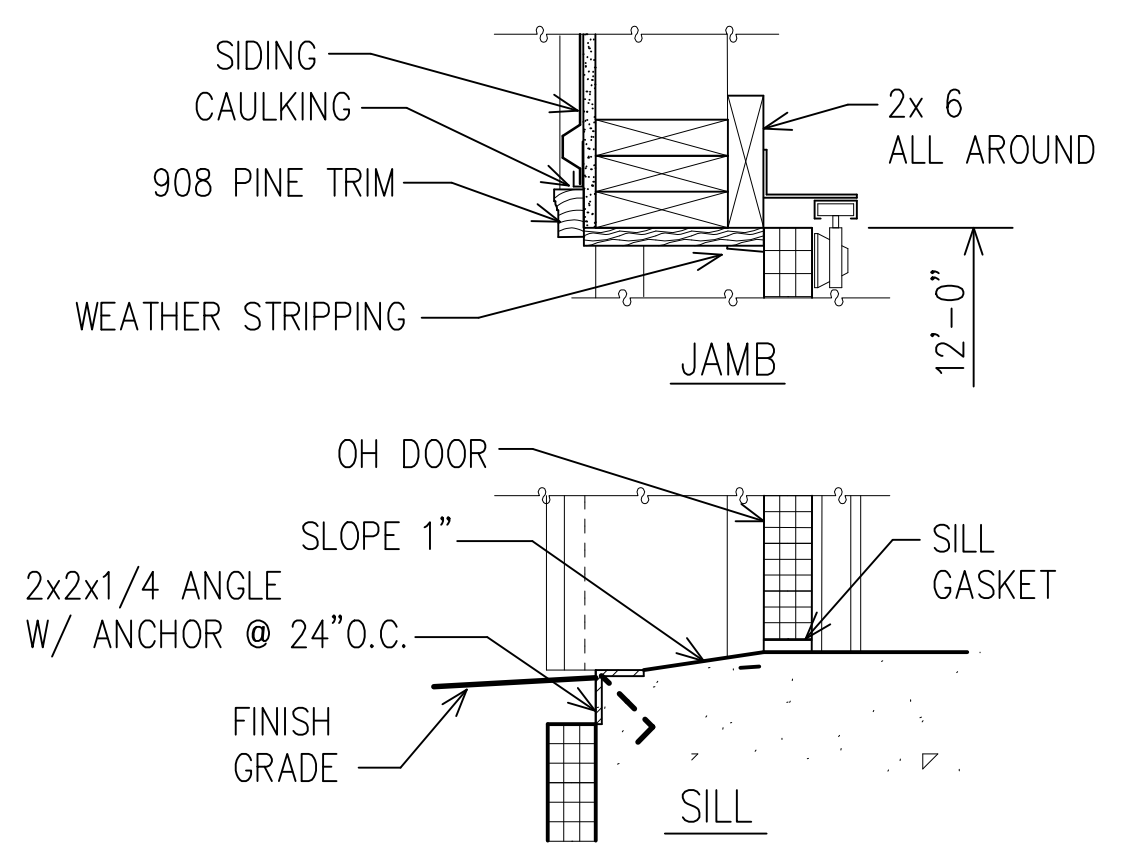
FOUNDATION PLAN

SCALE: 1/4" = 1'-0"



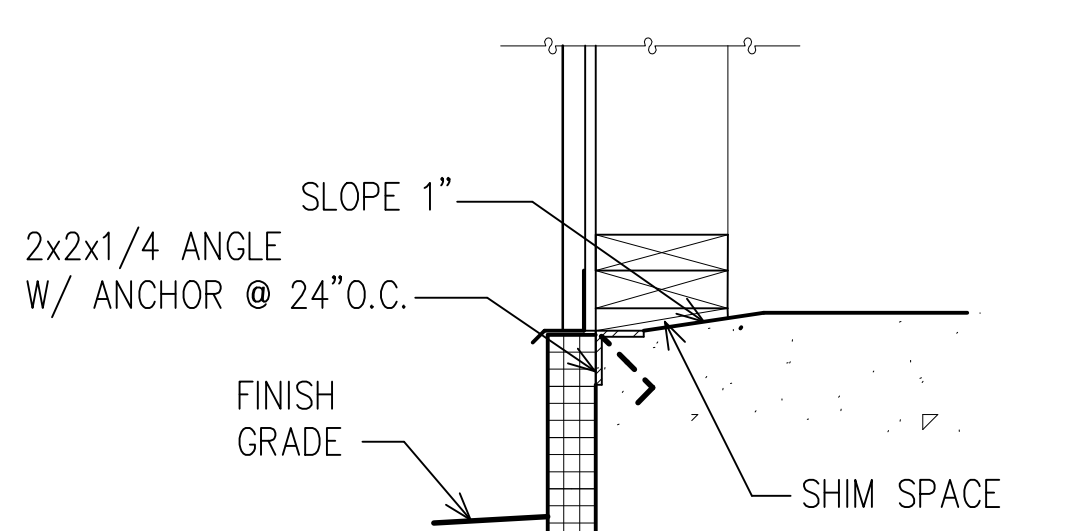
1 TYPICAL FOUNDATION SECTION

SCALE: 1 1/2" = 1'-0" UPDATED: 03/31/21



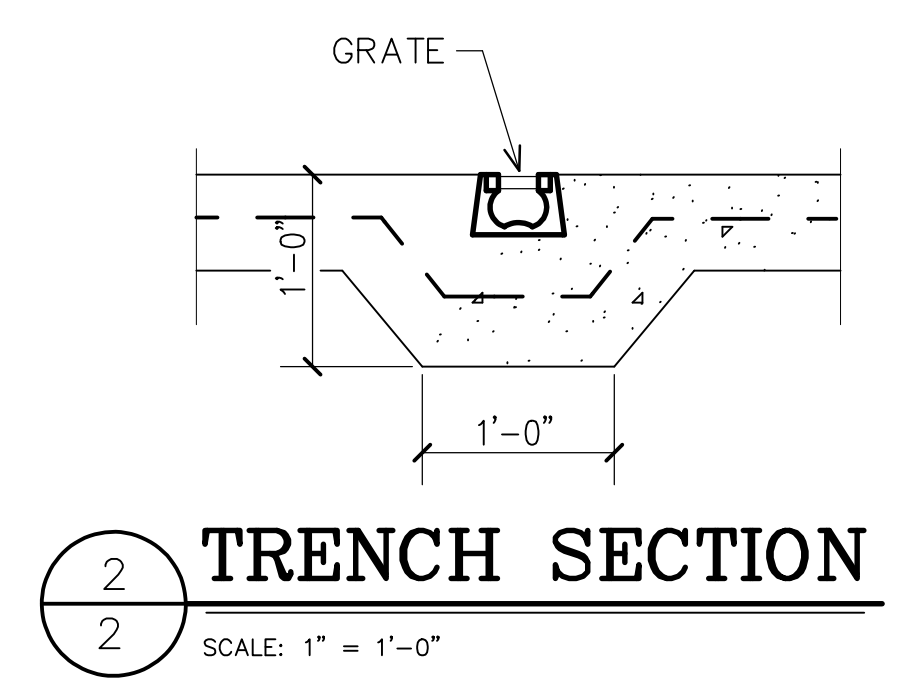
4 OVERHEAD DOOR DETAIL

SCALE: 1 1/2" = 1'-0"



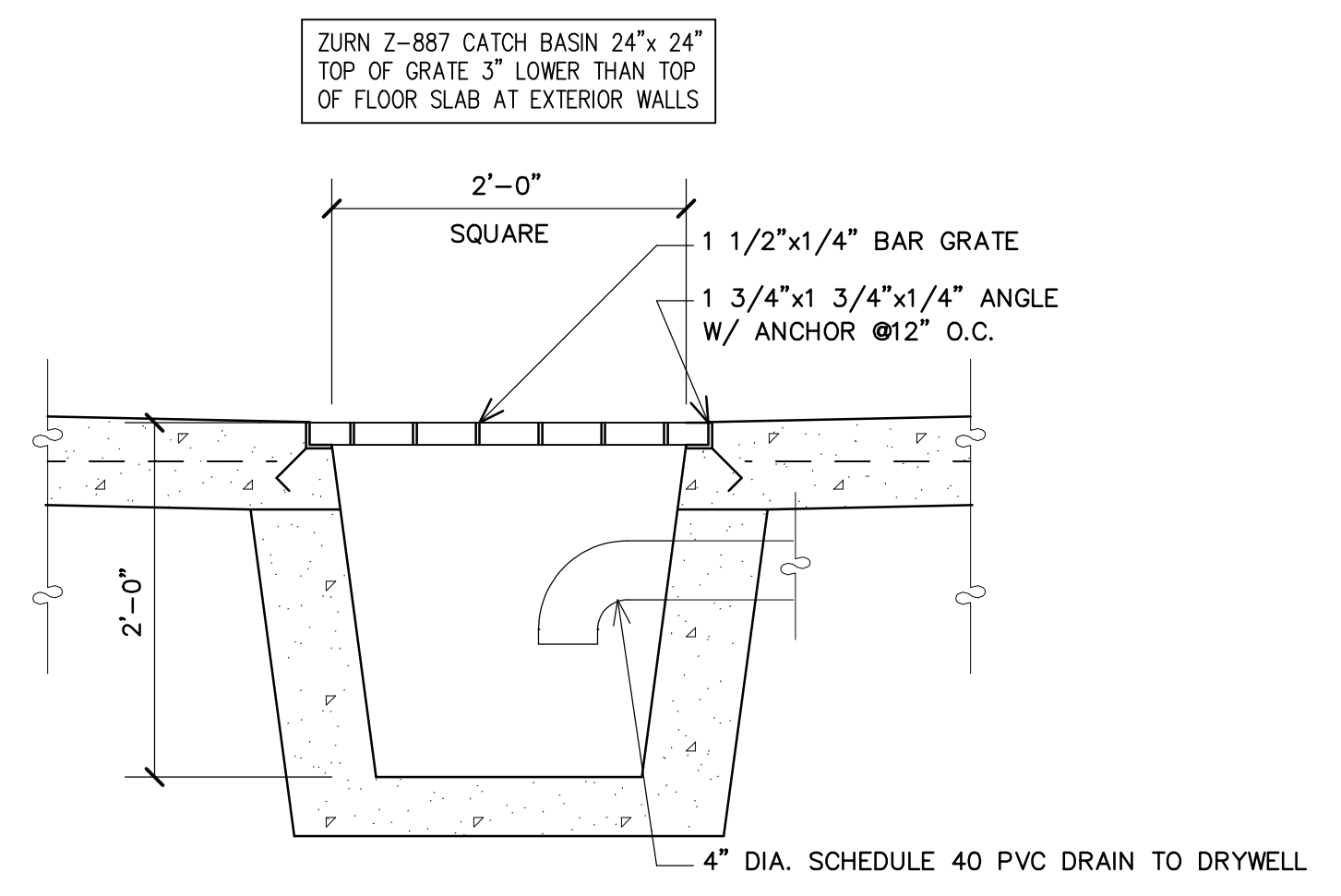
5 OVERHEAD DOOR SILL SECTION

SCALE: 1 1/2" = 1'-0"



2 TRENCH SECTION

SCALE: 1" = 1'-0"



3 FLOOR DRAIN SECTION

SCALE: 1" = 1'-0"