

MA 18P 22012400000000000062  
NEW

**State of Maine**



**Master Agreement**

**Effective Date:**

**Expiration Date:**

**Master Agreement Description:** International Heavy Duty Plow Trucks

**Buyer Information**

ext.

**Issuer Information**

Cheryl Whittington 207-624-8261 ext. Cheryl.A.Whittington@Maine.gov

**Requestor Information**

Jessica Norton 207-624-8226 ext. Jessica.h.norton@MAINE.GOV

**Agreement Reporting Categories**

**Authorized Departments**

17D MOTOR TRANSPORT

**Vendor Information**

**Vendor Line #:** 1

**Vendor ID**

VS0000025482

**Vendor Name**

AT Maine, LLC

**Alias/DBA**

**Vendor Address Information**

130 Market Street

Fort Kent, ME 04743

USA

**Vendor Contact Information**

Gary Daigle  
 207-834-6186 ext.  
 Gary@daigleandhoughton.com

### Commodity Information

**Vendor Line #:** 1

**Vendor Name:** AT Maine, LLC

**Commodity Line #:** 1

**Commodity Code:** 07208

**Commodity Description:** International Heavy Duty Plow Trucks

**Commodity Specifications:** International Heavy Duty Plow Trucks

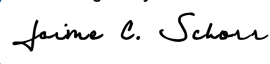
**Commodity Extended Description:** International Heavy Duty Plow Trucks, Original Master Agreement (MA) 190219-106,  
 RFQ 17D 180912-085

<b>Quantity</b>	<b>UOM</b>	<b>Unit Price</b>
0.00000		0.000000
<b>Delivery Days</b>	<b>Free On Board</b>	
180	FOB Dest, Freight Prepaid	
<b>Contract Amount</b>	<b>Service Start Date</b>	<b>Service End Date</b>
0.00		
<b>Catalog Name</b>	<b>Discount</b>	
International	0.0000 %	
	<b>Discount Start Date</b>	<b>Discount End Date</b>
	03/28/19	03/31/23

Please see authorized signatures displayed on the next page

Each signatory below represents that the person has the requisite authority to enter into this Contract. The parties sign and cause this Contract to be executed.

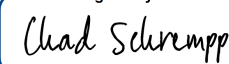
State of Maine - Department of Administrative and Financial Services

DocuSigned by:  
 1/24/2022  
6D6437754DD0459...  
\_\_\_\_\_  
Signature Date

Jaime C. Schorr, Chief Procurement Officer

and

AT Maine, LLC

DocuSigned by:  
 1/25/2022  
7484026057424C1...  
\_\_\_\_\_  
Signature Date

Chad Schrempp, COO

### RIDERS

<input checked="" type="checkbox"/>	The following riders are hereby incorporated into this Contract and made part of it by reference: (check all that apply)
<input checked="" type="checkbox"/>	Rider A – Scope of Work and/or Specifications
<input checked="" type="checkbox"/>	Rider B – Terms and Conditions
<input type="checkbox"/>	Rider C - Exceptions
<input checked="" type="checkbox"/>	Bid Cover Page and Debarment Form
<input checked="" type="checkbox"/>	Municipality Political Subdivision and School District Participation Certification – Appendix D from RFQ
<input checked="" type="checkbox"/>	MaineDOT Certifications – Appendix F from RFQ
<input checked="" type="checkbox"/>	MaineDOT Terms and Conditions – Appendix G from RFQ

**RIDER A**  
**Scope of Work and/or Specifications**  
**MA 220124-062**

**Commodity:** International Heavy Duty Plow Trucks

**Master Agreement Competitive Bid RFQ:** 17D 180912-085

**Business Sold:** Daigle & Houghton sold to AT Maine, LLC, January 2022. Original MA 190219-106

**Contract Period:** Through March 27, 2021. The State of Maine with vendor approval can opt to issue up to one (1) two (2) year extension and one (1) year extension. ***First Extension through March 31, 2023***

**Vendor Contact Person:** The vendor contact person will help consumers place orders, inquire about orders that have not been delivered, all shipping issues, quality issues and any issues pertaining to the Master Agreement (MA) contract. All orders not submitted through a Delivery Order will be sent through the vendor contact person. The vendor contact person for this MA is:

**Name:** Gary Daigle    **Tel:** 207-834-6166    **Email:** [Gary@daigleandhoughton.com](mailto:Gary@daigleandhoughton.com)

**Prices:** Prices are with shipping terms of “Free on Board (FOB) – Destination”. The State intends for this to mean that all goods shall be priced to include shipping charges, if any, to the State’s desired location. The “FOB – Destination” shipping term is also intended to mean that the State shall not bear any responsibility for the goods in question until the State takes possession of them at the destination point of delivery. Prices to be held firm for the duration of the contract.

If International passes along additional costs increases due to EPA and Greenhouse gas regulations the pricing structure can be reviewed to include these costs. Other than unforeseen state or federal regulations fees increase costs no additional price increases will be considered until the final extension is negotiated.

**Quantities:** It is understood and agreed that the MA will cover the actual quantities required by the State over the length of the contract. There are no guaranteed orders.

**Ordering Procedures:** Delivery Orders (DO) will be created in AdvantageME for all orders over \$5000.00. If a DO is used, the DO will be emailed to the email address referenced on the MA as a .pdf file. Orders less than \$5000.00 can be placed using a State of Maine issued P-Card (credit card).

**Using Departments:** The primary using departments of this Master Agreement is The MaineDOT however all State of Maine departments and agencies can utilize this contract.

**Delivery:** The vendor is responsible for the delivery of material in first class condition at the point of delivery, and in accordance with good commercial practice.

## **Specifications**

All vehicle must conform to the final approved specifications and all Federal and State laws, regulations and standards. Where these specifications and Federal and/or State laws conflict, the requirements of the Federal and/or State laws shall prevail.

Vehicle and component parts must be of the highest quality and workmanship available in the various trades and of substantial, durable, and safe construction. In all cases materials and construction of the vehicle must be furnished as specified.

All units or parts not herein contained or specified shall be manufacturer's standard. All parts shall be new. In no case will used, reconditioned, or obsolete parts be accepted. Insofar as possible, parts and equipment in any one vehicle shall be a duplicate in manufacture, design and construction and shall be interchangeable with parts and equipment in any other equipment in the proposal.

**EMISSIONS:** In accordance with the Maine Department of Environmental Protection Rules Chapter 127 New Motor Vehicle Emission Standards, all new vehicles purchased in Maine and equipped with a heavy-duty diesel engine (HDDE), beginning with Model Year 2012 must be certified to meet California Emissions Standards. Certification of Compliance (California Certified-NTE-testing) documentation required.

**PRE-DELIVERY INSPECTION:** A factory pre-delivery inspection is required after vehicles are completed but before delivery to dealer. Inspection to be completed by State of MaineDOT Fleet Services, or their designated representatives. Inspectors shall number two (2) people. The cost of inspection, including round trip airfare (if necessary) and lodging for a period not exceeding 3 days, 2 nights, shall be included in the bid price.

MaineDOT Fleet Services also reserves the right to: (no costs to the bidder)

1. Send in factory inspectors to your factory at any time during the building of these vehicles.
2. Have a Pre-manufacturing meeting which shall include a meeting with the bidder and the factory representatives, a tour of the factory, and a complete review of the specifications.

The completed vehicle shall be inspected by the State of MaineDOT Fleet Services, prior to delivery to the procuring agency at a location determined by Maine Department of Transportation Fleet Services.

## **Commodity Line #1 Specifications**

### **Thirty-Four Thousand (34,000 lb.) GVWR T4X2 Heavy Truck Regular Cab**

**Thirty-Four Thousand (34,000 lb.) GVWR Regular Cab Truck with automatic transmission. Cab and Chassis designed to mount a Dump Body, with Ice and Snow Removal Equipment**

#### **INTENT**

It is the purpose and intent of these specifications to describe a base vehicle and options with a Thirty-Four Thousand (34,000) pound GVWR, of substantial and durable construction congruent to practices acceptable to the chassis manufacturer. A vehicle, with a conventional cab (pick up type cabs and expanded roofs are not acceptable). This vehicle will be used in all months of the year pertaining to highway maintenance activities in a climate related to such as that in The State of Maine, by The Maine Department of Transportation. During winter maintenance, the vehicles main purpose will be the removal of ice and snow, sanding and salting which necessitates the installation of a myriad of controls, radios, etc. To accommodate these controls and provide acceptable operator ergonomics and comfort it is imperative that the truck cabs provide as much clear interior space as possible. The cab width must be a minimum of 70" interior door to interior door while the dash board, heater and other appurtenances must not diminish interior clear space for the installation of controls, radios, etc. The chassis is to be the heaviest duty available with all possible options to make it a heavy-duty vehicle.

The purpose of the BBC dimension is strictly to provide guidance in the selection of the appropriate make and model. Reasonable allowances will be made for the BBC dimension provided that intrusion of engine or doghouse into the cab is kept to an absolute minimum. The seats must be a premium high back and the most comfortable available with a minimum of 5" of vertical travel in the air suspended driver's seat. At full vertical driver seat height, there must be sufficient head, chest and lower torso clearance to both the roof and the steering wheel for individuals of larger than normal stature.

If cab mounted air ride suspension is provided as standard equipment by the manufacturer, then the vertical exhaust must be either cab mounted (which is preferred) or additional CA must be added to accommodate the frame mounting of the exhaust. Additionally, and for any other reason, if the exhaust system intrudes upon or diminishes useable CA then additional CA must be added to accommodate the loss. Fuel tanks must not extend past the rear of the cab.

## Appendix B-1

It will also be the responsibility of the Bidder and/or Vehicle manufacturer to supply any and all “factory plow truck option packages” necessary to facilitate the assembly of the truck chassis and the related components supplied by others (such as the body and plow vendors) into a completed and fully functional plow truck. This would refer to inclusion of but not to be limited to special plow truck spring and suspension components, plow truck wiring harnesses, electrical relays, additional electronic speedometer feeds, plow truck light harnesses, etc. MaineDOT/Fleet Services must approve the “factory plow truck option packages,” prior to purchases or assembly.

**COMPLETENESS**

The price quoted in any proposal submitted shall include all items of labor, materials, tools, equipment, and other costs necessary to fully complete the manufacture and delivery of the vehicle pursuant to these specifications.

Any part or detail which makes the vehicle complete and ready for service shall not be omitted, even though such part or detail is not mentioned in these specifications.

**CONFORMITY**

All parts not specified shall be manufacturer’s best quality and shall conform in materials, design, or workmanship to the best practice known in the automobile industry. All parts shall be new and in no case will used, reconditioned or obsolete parts be accepted. The parts on all vehicles provided by the manufacturer should be interchangeable.

**INSTRUCTIONS FOR COMPLETING TECHNICAL SPECIFICATION  
SHEET**

Please complete the checklist for technical specifications set forth below.

**Electronically enter responses directly into the text-enabled fields next to each specification, including actual dimensions when applicable.** Each Bidder must indicate whether it can meet the technical specifications by inserting an “X” next to each specification. The “X” will demonstrate that the Bidder’s offering meets the technical specification. If a Bidder cannot meet a technical specification, then the Bidder must give an explanation for each exception and for equipment that is not available or that will be dealer installed. All explanations must be provided in detail on separate pages along with the justification as to why the alternative equipment or deliverables will be as good as the equipment or deliverables described in the detailed specifications for desired items. A copy of the vendor specification proposal must be provided. Following these instructions is essential for proper bid evaluation.

**If a Bidder fails to provide requested information or if information on a quote is found to be false or misleading, the quote will be rejected as unresponsive. The award will be made on a best value basis to the vendor that either**



## Appendix B-1

**meets or most closely meets the specifications, while taking price and delivery into consideration.**

**REGULAR CAB PATROLS**

The following abbreviations must be used:

<b>X</b>	<b>As specified</b>
<b>N/A</b>	<b>Not Available</b>
<b>DI</b>	<b>Dealer Installed</b>
<b>AE</b>	<b>Approved Equal</b>

<b>2.0 ENGINE</b>				
<b>The proposed diesel engine <u>must</u> comply with the New Motor Vehicle Emission Standards issued by the Maine Department of Environmental Protection in the Code of Maine Rules (06-096 CMR Chapter 127).</b>				
		<b>Abbreviation</b>	<b>Actual Dimension</b>	<b>Notes</b>
<b>2.1</b>	IHC, Volvo, Cummins, Detroit, Mack or Paccar	<b>X</b>		Cummins L9
<b>2.2</b>	300 H.P. minimum	<b>X</b>		300 HP
<b>2.3</b>	800 lbs. ft. torque, minimum	<b>X</b>		860 lb. ft. torque
<b>2.4</b>	Adapter for Spicer coupler 2-2-479 on crankshaft, factory installed	<b>X</b>		
<b>2.5</b>	Engine idle time history must be maintained and accessible from the truck's onboard computer system.	<b>X</b>		
<b>2.6</b>	Stainless Steel oil pan or approved equal	<b>X</b>		
<b>2.7</b>	A wet sleeve engine.	<b>X</b>		
<b>2.8</b>	Proven history of application in similar service.	<b>X</b>		
<b>2.9</b>	Turbocharger	<b>X</b>		
<b>2.10</b>	Oil cooled.	<b>X</b>		

## Appendix B-1

2.11	Extreme service oil filtration system (no remote mount filter assembly will be accepted).	X		
2.12	Magnetic oil drain plug.	X		
2.13	Engine block heater 115 volts with 1,250 watts, receptacle with spring operated lid mounted under driver's door.	AE		120VOLDT /1000W for cummins ISL-L9
	<b>3.0 TRANSMISSION</b>	<b>Abbreviation</b>	<b>Actual Dimension</b>	<b>Notes</b>
3.1	Dedicated ground speed wire shall be accessible inside the cab for connection to spreader controls.	X		
3.2	Synthetic oil must be provided.	X		
3.3	PTO openings.	X		
3.4	Magnetic oil plug.	X		
3.5	Input rated at not less than 125% of net engine torque.	X		
3.6	Must have 2" input shaft.	X		
3.7	Stainless Steel transmission cooler.	AE		Internal water to oil in end cap of Radiator
3.8	Allison Transmission Model 3500RDS (1-5 or approved equal)	X		
3.9	Push button selector to be flush mounted in dash or OEM counsel.	AE		Steering column mounted – stalk shifter
3.10	Fourth generation electronic control shift selector with 2009 prognostic feature.	X		
3.11	Third gear hold option	X		
3.12	Additional stainless-steel transmission cooling must be supplied.	X		Stainless Steel cooler hoses

## Appendix B-1

<b>3.13</b>	Factory filled with TranSynd or Tes 295 equivalent fluid.	<b>X</b>		
<b>3.14</b>	Allison transmission electronic control module to be relocated inside the cab to minimize exposure to corrosive elements.	<b>X</b>		
	<b>4.0 STEERING</b>	<b>Abbreviation</b>	<b>Actual Dimension</b>	<b>Notes</b>
<b>4.1</b>	Must not interfere with plow application. Manufacturer's turning radius summary must be submitted with bid.	<b>X</b>		
<b>4.2</b>	Turning radius must not exceed a maximum distance of (33') thirty-three feet.	<b>X</b>		
<b>4.3</b>	Heavy-duty design suitable for snowplow and dump truck service.	<b>X</b>		
<b>4.4</b>	Ample gear reduction for off highway operation.	<b>X</b>		
<b>4.5</b>	Integral power steering or factory installed hydraulic boosters.	<b>X</b>		
	<b>5.0 DRIVELINE</b>	<b>Abbreviation</b>	<b>Actual Dimension</b>	<b>Notes</b>
<b>5.1</b>	Driveline to be heavy-duty and factory balanced.	<b>X</b>		
<b>5.2</b>	Universal joints on driveline SPL250HD.	<b>AE</b>		SPL 170 XL
	<b>6.0 REAR AXLE</b>	<b>Abbreviation</b>	<b>Actual Dimension</b>	<b>Notes</b>
<b>6.1</b>	Driver controlled differential power divider. The differential to be equipped with a safety feature, that will automatically disengage the locking differential at a speed of approximately 20 MPH.	<b>X</b>		
<b>6.2</b>	Prefer Meritor RS23-160, 23,000 lb. capacity single reduction rear.	<b>X</b>		

## Appendix B-1

6.3	Rear end ratio should be 5.38 drive line ratio or a similar ration approved through Allison Scan Review report.	AE		4.56 Ratio = 77.7 MPH
6.4	Magnetic oil drain plug.	X		
6.5	Oil lubricated and sealed wheel bearings.	X		
6.6	Synthetic oil must be provided.	X		
	<b>7.0 REAR SPRINGS AND SUSPENSION</b>	<b>Abbreviation</b>	<b>Actual Dimension</b>	<b>Notes</b>
7.1	31,000 lbs. capacity rear main springs, minimum.	X		
7.2	Clearance between inner dual tires and suspension system and break chambers not to be less than 2”.	X		
7.3	All hardware to be designed for extreme service.	X		
7.4	Helper springs to be multi-leaf design and largest capacity.	X		
7.5	Spring mounting brackets and hardware (including shackles) to be designed for extreme service.	X		
7.6	Main spring assembly to be double wrapped front and rear.	X		
7.7	If a rear suspension is supplied utilizing torque arms with front and rear floating spring hangers, then a transverse torque arm from the frame to the top of the differential housing must also be supplied.	X		

## Appendix B-1

	<b>8.0 FRONT AXLE</b>	<b>Abbreviation</b>	<b>Actual Dimension</b>	<b>Notes</b>
<b>8.1</b>	16,000 lb. minimum capacity set forward axle.	X		MFS-18-133A Wide Track
<b>8.2</b>	Wide track, I-beam type with a minimum 50 degree turn angle.	X		
<b>8.3</b>	Set forward Axle suitable for snow plow and dump truck service.	X		
<b>8.4</b>	King pins to be metallic bushings with Zerk type grease fittings at all bushing locations.	X		
<b>8.5</b>	Prefer double king pin locks in axle.	X		
<b>8.6</b>	Heavy-duty double acting shock absorbers.	X		
<b>8.7</b>	Synthetic oil lubricated and sealed wheel bearings with visible oil supply. Wheel bearings to be rated at 16,000 lb. minimum capacity.	X		
<b>8.8</b>	Largest capacity power steering reservoir with filter located for ease of service.	X		
<b>8.9</b>	Flexible fender extensions must be provided for the front fender wells if necessary to protect the hood and cab from wheel spray and splash.	X		
	<b>9.0 FRONT SPRINGS</b>	<b>Abbreviation</b>	<b>Actual Dimension</b>	<b>Notes</b>
<b>9.1</b>	Spring capacity L.H. 9,000 lbs. at ground minimum, multi-leaf or combination of multi-leaf spring and helper. Additional leaves added to factory spring to meet specs are not acceptable.	X		
<b>9.2</b>	Spring capacity R.H. 9,000 lbs. at ground minimum, multi-leaf or combination of multi-leaf spring and helper. Additional leaves added to factory spring to meet specs are not acceptable.	X		

## Appendix B-1

9.3	Heavy-duty suspension designed to support plow or vee plow and wing in travel position and under full ballast load with no appreciable sag or deflection on either side. (1" + or -1/2").	X		
9.4	Spring mounting hardware and brackets (including shackles) to be H.D.	X		
9.5	The complete suspension system, but especially the front springs, must be designed, constructed or reconstructed/reinforced if necessary to substantially transfer weight to the rear axle and rear wheels/suspension opposite the wing to prevent the unloading of this axle with plow gear and plows in the up or carry position with an empty body.	X		
	<b>10.0 AIR/BRAKE SYSTEM</b>	<b>Abbreviation</b>	<b>Actual Dimension</b>	<b>Notes</b>
10.1	Front brakes 16½ x 6" air brakes	X		
10.2	Rear brakes 16½ x 7"	X		
10.3	Long stroke 3" brake chambers 30/30 long stroke Haldex Life Seal chambers on rear axles. Front brake chambers to be Haldex Life Seal	AE		Std. Chambers Front sealed (not Haldex) Haldex life seal - rear
10.4	Haldex automatic brake adjusters on all axles.	X		
10.5	Bendix Tu Flo 500 air compressor lubricated via the engine lube system.	AE		18.7 CFM
10.6	Dual air brake system.	X		
10.7	Bendix AD-IP air dryer, to include heater.	X		
10.8	Pull drains on each reservoir with the loose end of the cable attached professionally in a location that is easily accessible to the operator.	X		

## Appendix B-1

<b>10.9</b>	Reservoir to have ample road clearance and be of sufficient reserve capacity to support all vehicle air accessories and systems and have capacity to also support a tag-along trailer.	<b>X</b>		
<b>10.10</b>	Semitrailer connections and breakaway valve mounted on the rearmost cross member in such a way as not to interfere with proper placement of lights, pintle hook or license plates.	<b>X</b>		
<b>10.11</b>	Hand control valve (trolley valve) mounted on the steering column to operate the semitrailer.	<b>AE</b>		Hand Control Valve mounted on dash panel
<b>10.12</b>	Air horn.	<b>X</b>		
<b>10.13</b>	Air compressor to have dry filtered air inlet.	<b>X</b>		
<b>10.14</b>	Front and rear S cam brakes preferred.	<b>X</b>		
<b>10.15</b>	All brakes must have backing plates.	<b>X</b>		
<b>10.16</b>	All brake air lines will be run in the same locations.	<b>X</b>		
	<b>11.0 ELECTRICAL SYSTEM</b>	<b>Abbreviation</b>	<b>Actual Dimension</b>	<b>Notes</b>
<b>11.1</b>	12 volt Leece-Neville 160-amp capacity alternator Model 2800JB/BLD 2309.	AE		Leece – Noville 160 AMP with remote sensor
<b>11.2</b>	Delco 39 Gear Reduction starter with overcrank protection.	<b>X</b>		
<b>11.3</b>	Three (3) 12 volt batteries, 2700 CCA @ 0° F, 104-amp hour capacity, minimum, maintenance free type, must be mounted on frame rail to accommodate and not interfere with mounted snow plow equipment.	<b>X</b>		
<b>11.4</b>	Enclosed battery compartment with proper ventilation to the outside atmosphere.	<b>X</b>		

## Appendix B-1

11.5	All exterior wiring to be of salt resistant type in suitable loom or conduit. Waterproof plug type connectors to be used at all exposed locations. All connections not waterproofed must be shrink wrapped.	X		
11.6	Manually operated <b>lockable</b> master battery disconnect switch location is <b>not</b> be mounted on the floor or in the environment, preferability in cab where it's readily accessible to operator. The battery disconnect switch break on the negative cable side.	X		
11.7	Sealed battery cable ends, color-coded. (Red + Pos., Black-Neg.).	X		
11.8	Trailer feed circuit to rear of frame to include combined Trailer Stop, Tail, Turn, Marker Light, Trailer ABS. Wiring connections to be inside cab for mounting DOT electric brake control.	X		
11.9	A complete "AS BUILT" wiring schematic manual on CD or Thumb Drive required to be supplied. A sample wiring schematic required to be supplied with the bid proposal.	X		
11.10	All electrical connections are required to be treated with di-electric grease.	DI		
11.11	All electrical cable will be run in the same locations on all units.	X		
	<b>12.0 FRAME</b>	<b>Abbreviation</b>	<b>Actual Dimension</b>	<b>Notes</b>
12.1	Single Heavy-Duty Channel Frame Rail powder coated with a minimum of PSI 1,200,000, Section Modulus 22.12, RBM 2,654,400.	AE		Psi-120,000 Sm – 20.93 Rbm – 2,511,600 Powder coated – E coat
12.2	Straight channel frame rail suitable for heavy-duty plow and dump truck service.	X		



## Appendix B-1

12.3	Fish plates not acceptable.	X		
12.4	Frame designed as to not interfere with Spicer crankshaft coupler 2-2-79.	X		
12.5	All heavy-duty gusseted cross members	X		
12.6	Frame extension are required to meet the same standard as truck frame if extensions are required.	X		
	<b>13.0 FUEL SYSTEM</b>	<b>Abbreviation</b>	<b>Actual Dimension</b>	<b>Notes</b>
13.1	Heavy-duty aluminum, minimum 2-inch wide straps with rubber shims/liners must be used.	X		
13.2	Tank <u>must not</u> extend past the rear of the cab.	AE		Fuel tank Extends 3” BOC
13.3	Aluminum step type fuel tank with a minimum capacity of 70 gallons.	X		
13.4	Non-skid step.	X		
13.5	12” minimum road clearance mandatory.	X		
13.6	Manually operated hand fuel primer pump.	X		
13.7	Fuel lines to be the appropriate flexible type line.	X		
13.8	Tanks to be vented in such a manner to prevent fuel spillage if operating on a slope or on level ground with tank full and fuel warm.	X		
	<b>14.0 WHEELS AND TIRES</b>	<b>Abbreviation</b>	<b>Actual Dimension</b>	<b>Notes</b>
14.1	One piece white powder coat paint tubeless heavy load application 10 hole, 285 mm rims, <ul style="list-style-type: none"> <li>• F) 9.0 X 22.5 with 7.0” wheel off set Accuride A29300PW</li> </ul>	X		

## Appendix B-1

	<ul style="list-style-type: none"> <li>R) 8.25 X 22.5 with 6.62" wheel off set Accuride A29169PW</li> </ul>			
<b>14.2</b>	Wheels, rims and tires to provide tire chain clearance without use of adapters, spacers, spoke extensions etc., local modifications not acceptable.	<b>X</b>		
<b>14.3</b>	Rear tires to be the Bridgestone M799 model tread design or approved equal with an approved manufacture, Bridgestone, Michelin, or Continental brand.	<b>AE</b>		Continental HDCI - Front
<b>14.4</b>	Front tires to be the Bridgestone M860A model tread design or approved equal with an approved manufacture, Bridgestone, Michelin, or Continental brand.	<b>AE</b>		Continental HSC1
<b>14.5</b>	Front 315/80R 22.5 LRL radial tubeless tire (L ply rating).	<b>X</b>		
<b>14.6</b>	Rear 11R X 22.5 LRH radial tubeless tire with it (H ply rating).	<b>X</b>		
<b>14.7</b>	13.5" Dual wheel spacing required.	<b>AE</b>		13.24" std.
<b>14.8</b>	Liquid tire balancer KTB tire treatment (U.S. EPA approved).	<b>DI</b>		Not Recommended
<b>14.9</b>	Heavy-duty 5 hand hole hub piloted wheel system.	<b>X</b>		
<b>14.10</b>	Lead wheel weight will not be accepted.	<b>X</b>		Lead Wiegths not used
<b>14.11</b>	Each unit to be delivered with one mounted spare front tire and one mounted spare rear tire. Tires shall have the liquid balancer installed.	<b>X</b>		
	<b>15.0 COOLING SYSTEM</b>	<b>Abbreviation</b>	<b>Actual Dimension</b>	<b>Notes</b>
<b>15.1</b>	Radiator and mounts to be designed and installed so as not to interfere with Spicer crankshaft coupler 2-2-79.	<b>X</b>		

## Appendix B-1

<b>15.2</b>	Space to be provided under or through radiator to mount crankshaft driven hydraulic pump.	X		
<b>15.3</b>	Non-silicone type radiator and coolant lines.	X		
<b>15.4</b>	Radiator core and tanks to be of heavy-duty design and construction.	X		
<b>15.5</b>	Ample capacity for continuous high engine output under extreme temperatures and/or operating conditions.	X		
<b>15.6</b>	Heavy-duty mounting brackets and hardware.	X		
<b>15.7</b>	Two-stage fan clutch.	X		
<b>15.8</b>	Coolant to be Extended Life rated for -35 degrees upon delivery to MaineDOT Fleet Services.	X		
	<b>16.0 EXHAUST</b>	<b>Abbreviation</b>	<b>Actual Dimension</b>	<b>Notes</b>
<b>16.1</b>	Vertical exhaust designed and installed so as not to interfere with any customer installed accessories (i.e. snow plows, hydraulic tanks, etc.).	X		
<b>16.2</b>	Exhaust deflector elbow	X		
<b>16.3</b>	Heavy-duty mounting brackets, elbows, piping and expansion joints.	X		
<b>16.4</b>	Aluminized horizontal muffler.	AE		STAINLESS STEEL
<b>16.5</b>	Exhaust System design to keep noise to lowest practical level in accordance with Federal Regulations.	X		
	<b>17.0 FILTERS</b>	<b>Abbreviation</b>	<b>Actual Dimension</b>	<b>Notes</b>
<b>17.1</b>	Heavy-duty dry type air filter	X		

## Appendix B-1

<b>17.2</b>	Operator's controlled snow valve for drawing air directly under engine hood is mandatory to prevent snow from clogging air filter. A seasonal two-way air inlet control valve is mandatory. Must be factory installed and clearly marked for use.	<b>X</b>		
<b>17.3</b>	All filters must be mounted to facilitate ease of servicing.	<b>X</b>		
<b>17.4</b>	Disposable spin on type oil and fuel filters.	<b>X</b>		
<b>17.5</b>	Local filter installations or modifications are not acceptable.	<b>X</b>		
<b>17.6</b>	Fuel filter on the inlet or suction side of the injection pump <u>required</u> .	<b>X</b>		
	<b>18.0 CAB</b>	<b>Abbreviation</b>	<b>Actual Dimension</b>	<b>Notes</b>
<b>18.1</b>	To accommodate the controls and provide acceptable operator ergonomics and comfort it is imperative that the truck cabs provide as much clear interior space as possible. The cab width must be a minimum of 70" interior door to interior door while the dash board, heater and other appurtenances must not diminish interior clear space for the installation of controls, radios, etc. The chassis is to be the heaviest duty available with all possible options to make it a heavy-duty vehicle.	<b>X</b>		
<b>18.2</b>	Ergonomic integrated dash, minimum of fourteen (14) (factory installed) in ergonomic dash, low amperage switches with LED lighting. Three (3) colored LED lighted indicators controllable by means of relays. Circuit must support 20 amps, controlled by Remote Power Modules, installed inside cab to allow MaineDOT easy component wiring installation. All switches to be professionally labeled using factory laser cut plastic inserts.	<b>X</b>		

## Appendix B-1

<b>18.3</b>	Standard BBC dimension approximately 112".	<b>AE</b>		
<b>18.4</b>	Hood and fender to be of one piece design, tilt forward type with factory installed side access panels to provide safe, easy, complete access to the engine compartment for daily service (including coolant check) and periodic maintenance with full plow gear (including wing and post) installed. NOTE: Plow gear will not be moved or modified to accommodate hood opening.	<b>XX</b>		
<b>18.5</b>	Hood fenders must be designed to be no lower than the bottom of fuel tank and be secured tightly to prevent sailing. If need wind sail brackets are acceptable.	<b>X</b>		
<b>18.6</b>	Tilt and telescoping steering wheel.	<b>X</b>		
<b>18.7</b>	All marker lights to be LED type.	<b>X</b>		
<b>18.8</b>	Dome light to have independent switch and not interfere with the Departments two-way radio.	<b>X</b>		
<b>18.9</b>	Cab heater to be highest capacity available.	<b>X</b>		
<b>18.10</b>	Automatic low oil pressure/high temperature warning system wired in such a way as not to be easily accessible to the operator and be operational only when ignition switch is on.	<b>X</b>		
<b>18.11</b>	Heavy-duty 2-speed minimum, electrically operated windshield wipers with time delay.	<b>X</b>		
<b>18.12</b>	Dual sun visors.	<b>X</b>		
<b>18.13</b>	Dual outside mirrors to be no less than 16" x 7" with integrated convex mirrors on both sides with marker light. All mirrors to be 4-way electronically adjustable and heated.	<b>AE</b>		14.1" X 7.55 FLAT 7.48" X 6.77" CONVEX
<b>18.14</b>	Exterior cab grab handle driver side.	<b>X</b>		

## Appendix B-1

<b>18.15</b>	Exterior cab grab handle, passenger side.	<b>DI</b>		
<b>18.16</b>	Seat belt webbing to be a highly visible, bright orange in color.	<b>X</b>		
<b>18.17</b>	Driver's seat to be a premium high back cloth covered seat which will incorporate the following features/options: <ul style="list-style-type: none"> <li>a. adjustable dampening of the shock absorber</li> <li>b. wide seat cushion</li> <li>c. air controlled triple lumbar support</li> <li>d. front and rear seat cushion adjustment</li> <li>e. fore/aft seat track adjustment</li> <li>f. adjustable reclining backrest</li> <li>g. air adjustable back rest bolsters</li> <li>h. air adjustable seat cushion bolsters</li> <li>i. dual folding seat armrests</li> <li>j. five (5)-year warranty seat</li> </ul>	<b>X</b>		
<b>18.18</b>	The passenger seat to be a deluxe or premium air-suspension seat with adjustable reclining backrest and lumbar support.	<b>X</b>		
<b>18.19</b>	Instruments to include but not limited to: Oil pressure gauge, Water temperature gauge, Fuel gauge, Brake warning lights, low air pressure light and alarm, voltmeter, Tachometer, air pressure gauge, Air filter restriction gauge and all gauges to be properly marked and illuminated. (Transmission temp gauge with Automatic).	<b>X</b>		
<b>18.20</b>	Windshield to be constructed with tinted glass.	<b>X</b>		
<b>18.21</b>	Full coverage insulated floor mat.	<b>X</b>		
<b>18.22</b>	All pedals are to be suspended off floor	<b>X</b>		
<b>18.23</b>	Heavy-duty insulated closed cab construction. <b>Cab insulation rating required with bid.</b>	<b>X</b>		

## Appendix B-1

<b>18.24</b>	Stationary grill is highly preferred to increase engine accessibility when plow hardware is attached.	<b>X</b>		
<b>18.25</b>	12 Volt power port outlet and USB port.	<b>X</b>		
<b>18.26</b>	Back-up alarm	<b>X</b>		
<b>18.27</b>	All vehicles to be keyed alike and supplied with 2 keys.	<b>X</b>		
<b>18.28</b>	Fresh air intake for heater/defroster must be protected or designed and installed to prevent entrance of sand/salt.	<b>X</b>		
<b>18.29</b>	Radiator grill openings to be of such size and design to protect radiator core from road debris of approximately 5/8" diameter.	<b>X</b>		
<b>18.30</b>	AM-FM radio with Bluetooth	<b>X</b>		
<b>18.31</b>	Suitable heavy-duty full width front bumper must be supplied on vehicle.	<b>X</b>		
<b>18.32</b>	Conventional cab - expanded, modified or bubble roof unacceptable.	<b>X</b>		
<b>18.33</b>	Daytime running headlights.	<b>X</b>		
<b>18.34</b>	Sealed beam headlights of halogen type.	<b>X</b>		
<b>18.35</b>	Air conditioning.	<b>X</b>		
<b>18.36</b>	Cruise control	<b>X</b>		
	<b>19.0 PAINT</b>	<b>Abbreviation</b>	<b>Actual Dimension</b>	<b>Notes</b>
<b>19.1</b>	Base coat clear coat paint.	<b>X</b>		
<b>19.2</b>	Color True Blue Metallic Dupont #M6620	<b>X</b>		
<b>19.3</b>	Chassis frame semi-gloss black enamel.	<b>X</b>		
<b>19.4</b>	Wheels white powder coated.	<b>X</b>		

## Appendix B-1

<b>19.5</b>	Cab interior Gray.	<b>X</b>		
	<b>20.0 WHEELBASE AND CA</b>	<b>Abbreviation</b>	<b>Actual Dimension</b>	<b>Notes</b>
<b>20.1</b>	Wheelbase to be approximately 180” or no longer or shorter than is essential for mounting a 10’, 5-cubic yard front dump body with 12” overhang and 20” minimum space between cab and body for mounting plow tower.	<b>X</b>		
<b>20.2</b>	Cab axle dimension to be approximately 108”.	<b>X</b>		
<b>20.3</b>	WB & CA to accommodate a 5-cubic yard body and hoist and a rear tower hydraulic assembly for a wing plow.	<b>X</b>		
<b>20.4</b>	AF dimension must allow for minimum 12’ of frame to extend past rear tires to facilitate mounting of the dump body.	<b>X</b>		
<b>20.5</b>	Clean, unobstructed CA to facilitate the mounting of plow equipment and body.	<b>AE</b>		4” BOC ADDED TO WHEELBASE
	<b>21.0 EMISSIONS</b>	<b>Abbreviation</b>	<b>Actual Dimension</b>	<b>Notes</b>
<b>21.1</b>	A certification that states each new truck is equipped with a heavy-duty diesel engine (HDDE) that complies with, the New Motor Vehicle Emission Standards issued by the Maine Department of Environmental Protection in, the Code of Maine Rules (06-096 CMR Chapter 127).	<b>X</b>		
	<b>22.0 PROGRAMMING</b>	<b>Abbreviation</b>	<b>Actual Dimension</b>	<b>Notes</b>
<b>22.1</b>	<u>No</u> engine idle time to accumulate when combination of “engine is running, parking brakes are released and the transmission is in gear and over 2 mph”.	<b>X</b>		



## Appendix B-1

22.2	Parking brake alarm, Electric horn sounds repeatedly when parking brake is not engaged with ignition off and driver's door open.	X		
22.3	All switches and indicators must be configured and labeled per MaineDOT specifications.	X		
22.4	Onboard dash diagnostic	X		
22.5	Driver controlled locking differential. The differential to be equipped with a safety feature, that will automatically disengage the locking differential at a speed of approximately 20 MPH.	X		
22.6	Cruise control to be set as low as possible (max 25 mph).	X		
22.7	Top speed to be set at 75 mph.	X		
22.8	PTO speed set at 1200 rpm.	X		
22.9	Record and view MPG at the Dash Cluster.	X		
22.10	Windshield wipers to be automatically forced to slowest intermittent speed when the parking brake is set and wipers left on for a predetermined time.	X		
	<b>23.0 WARRANTY</b>	<b>Abbreviation</b>	<b>Actual Dimension</b>	<b>Notes</b>
23.1	Terms and conditions of warranty must be provided with bid proposal (Warranty must be clearly defined and all components covered must be clearly listed and identified).	X		
23.2	In-Service Date: Warranty on vehicles (not placed in service immediately because of time lag due to installation of plow	X		

## Appendix B-1

	components, special equipment, seasonal usage or other delays) to be warranted from the date the vehicle is actually placed in service. MaineDOT Fleet Services Augusta will notify the vendor in writing of "in service" date.			
<b>23.3</b>	During the term of the manufacturer's warranty Fleet Services reserves the right to perform any and all warranty "in house" to meet operational needs or demand with the exception of major engine, transmission and rear axle rebuild or repair unless pre-authorization by vendor. Fleet Services will recover all parts and labor cost as allowed by manufacturer's flat rate manual OEM parts may be supplied at no cost by the manufacturer, dealer or may be purchased by Fleet Services on the open market to meet operational demand. Any and all defective parts will be returned to the manufacturer or dealer upon request.	<b>X</b>		
	<b>24.0 MANUALS</b>	<b>Abbreviation</b>	<b>Actual Dimension</b>	<b>Notes</b>
<b>24.1</b>	One (1) operator's manual per unit.	<b>X</b>		
<b>24.2</b>	Ten (10) Shop equipment repair manuals, CDs or Thumb Drive	<b>X</b>		
<b>24.3</b>	Ten (10) Shop equipment repair manuals, CDs or Thumb Drive	<b>X</b>		
<b>24.4</b>	Ten (10) Equipment parts manuals, CDs or Thumb Drive	<b>X</b>		
<b>24.5</b>	Ten (10) Engine parts manuals, CDs or Thumb Drive	<b>X</b>		
	<b>25.0 TRAINING</b>	<b>Abbreviation</b>	<b>Actual Dimension</b>	<b>Notes</b>
<b>25.1</b>	All manufacturer's training programs being offered, to be defined in detail and a written proposal of what those programs will <u>entail</u> and submitted with bid packet.	<b>X</b>		

## Appendix B-1

<b>25.2</b>	Training for Operation and Maintenance personnel to be performed by a factory certified trainer only. To include a minimum of 4 hours of training to take place within the 5 MaineDOT Regions within the State. This Training may be videotaped by MaineDOT for future use by MaineDOT trainers.	<b>X</b>		
<b>25.3</b>	Any applicable training material, (i.e., video tapes, manuals, CD, etc.) which is available for the components, systems or equipment, etc. must be supplied by the vendor, manufacturer, or dealer to MaineDOT with written permission for MaineDOT to duplicate such at will for in-house usage/training.	<b>X</b>		
	<b>26.0 GENERAL</b>	<b>Abbreviation</b>	<b>Actual Dimension</b>	<b>Notes</b>
<b>26.1</b>	All manuals, CDs or Thumb Drives should be delivered prior to acceptance of the final chassis.	<b>X</b>		
<b>26.2</b>	Chassis to be completely serviced, tuned up, wheels balanced (front) and steering geometer. Documentation of such service must be provided pertaining to each vehicle upon delivery.	<b>X</b>		
<b>26.3</b>	Vehicles offered must comply with all applicable Federal and State of Maine Regulations. Certified GVWR must be furnished.	<b>X</b>		
<b>26.4</b>	It is the responsibility of the chassis manufacturer to provide or reposition components to provide "clear frame" for installation of accessories or accessory equipment.	<b>X</b>		
<b>26.5</b>	The CA, WB and placement of the body etc. must not cause the summer loaded vehicle to exceed the gross axle weight for special commodities as specified in Title 29-A, Section 2357, 2, A. or B. as appropriate.	<b>X</b>		

## Appendix B-1

	<b>27.0 SERVICES</b>	<b>Abbreviation</b>	<b>Actual Dimension</b>	<b>Notes</b>
<b>27.1</b>	MaineDOT's objective is to have the vendor provide warranty and service at facilities that are as close as possible to localities where the trucks will be used. To that end, MaineDOT desires that the vendors will have warranty and service facilities located within 75 miles of each division headquarters, Scarborough, Augusta, Dixfield, Bangor and Caribou.	<b>AE</b>		Exception is Dixfield to Scarborough is 77 Miles, Hermon is 101 Miles.
<b>27.2</b>	Vendors must provide a list of bidder service center locations.	<b>X</b>		
<b>27.3</b>	Bidders must supply a written explanation describing such things as the locations of the facilities, the times the facilities will be available for use, qualifications of the staff at the facilities and how the vendor will provide warranty and service at these service facilities. (Explain in a written document submitted with the proposal).	<b>X</b>		
	<b>28.0 GENERAL OPTIONS</b> <b>The following items shall be listed and priced separately</b>		<b>Price</b> <b>List all available packages</b>	<b>Notes</b>
<b>28.1</b>	Extended Engine Warranty (Warranty coverage and time frame must be clearly defined and all components covered must be clearly listed and identified).		\$ 2,765 48 mo./150k mi. \$ 2,790 60 mo./100k mi. <b>\$ 2,581 72 mo. / 150k mi.</b>	
<b>28.2</b>	Extended Warranty Tow packet (Warranty coverage, time frame and additional cost to MaineDOT must be clearly laid out and described).		\$ 590/\$275/ tow incident \$ 660/\$275/ tow incident \$ 760/\$275/ tow incident	36 months 48 months 60 months
<b>28.3</b>	Vendor is to be (100%) responsible for all transportation costs during standard 12-month warranty period if vehicle is non-drivable.	<b>X</b>		
	<b>29.0 OPTIONS</b>	<b>Abbreviation</b>	<b>Actual Dimension</b>	<b>Notes</b>

## Appendix B-1

	<b>CAB</b>		
<b>29.1</b>	Factory or a factory outfitter's facility installed Dual, Left or Right Driver Controlled Auxiliary Air Bags (double wing vehicles) shall have individual switches to control each air bag. <b>Air bag pricing information required with bid.</b>	<b>Dual Airbags</b> \$ 1,540  <b>Left or Right Airbag</b> <b>\$ 770 PER</b>	
<b>29.2</b>	Multiplex wiring.	<b>X</b>	
<b>29.3</b>	Power windows, controlled at each door for easy accessibility for both driver and passenger.	<b>X</b>	
<b>29.4</b>	Power door locks for both doors controlled at driver's door or at dash panel.	<b>X</b>	
<b>29.5</b>	Heated windshield <b>Pricing information required with bid.</b>	<b>\$ 632.00</b>	
	<b>PROGRAMMING</b>		
<b>29.6</b>	All doors must unlock when driver's door is open.	<b>X</b>	
<b>29.7</b>	All doors required to lock once truck reaches 5 mph.	<b>X</b>	
<b>29.8</b>	Pre-trip exterior light inspection switch- Engaging light inspection switch will sequentially flash all exterior lights.	<b>X</b>	
	<b>MANUALS</b>		
<b>29.9</b>	MaineDOT shall have free accessibility to manufacturer's web based Service Information program for a period of not less than 5 years. In this program, Fleet, shall have access to all vehicle information by using vehicle VIN #. This program shall include; Parts and Operators manuals, all warranty information, complete troubleshooting & diagnostic and wiring diagrams manuals for the engine and truck chassis. VIN specific "as built" components. <b>(Programs being offered must be provided with bid packet, access code</b>	<b>X</b>	

## Appendix B-1

	<b>must be provided in bid for MaineDOT to review programs.)</b>									
<b>29.10</b>	Provide ten (10) interface USB-Link Drivers and cables that are compatible to vehicle and laptop. <b>Pricing information required with bid.</b>	\$ 756/ USB LINK								
<b>29.11</b>	Provide ten (10) of the latest version of vehicle interface diagnostic software programs subscriptions that diagnose Engine, Chassis, Transmission, ABS, instrument panels and other electronic functions. The program must support wired or wireless connectivity. <b>Pricing information required with bid.</b>	\$ N.C.								
<b>29.12</b>	Over a 5 year period the vendor shall provide MaineDOT ten (10) subscriptions of the latest version of vehicle interface diagnostic software. Also, the USB-Link Drivers and Cables if the new version requires USB-Link Drivers and Cables to be update. <b>Pricing information required with bid.</b>	\$ N.C.								
	<b>TRAINING</b>									
<b>29.13</b>	<p>Training for the Fleet Services Technicians shall be performed at each two (2) MaineDOT Fleet Services maintenance facilities. Technician training, shall include but not limited to the following: trouble shooting, and test procedures for Electrical System, Drive Train, Engine and Transmission Electronics Training and shall take place on the 11<sup>th</sup> month from the vehicle in-service date, prior to the expiration date of the vehicle warranty (unless a conflict of scheduling arises in which case the proposed training dates may need to be extended).</p> <table border="0"> <tr> <td><b><u>Training Requirements</u></b></td> <td># of Hours</td> <td># of Technicians</td> </tr> <tr> <td>Engine</td> <td>16</td> <td>Up to 15</td> </tr> </table>	<b><u>Training Requirements</u></b>	# of Hours	# of Technicians	Engine	16	Up to 15	<p>\$ 2200 / DAY  4 DAYS = \$8,800  PER TRAINING WEEK  TRAINING PERFORMED  BY FACTORY CERTIFIED  TRAINER</p>		
<b><u>Training Requirements</u></b>	# of Hours	# of Technicians								
Engine	16	Up to 15								

## Appendix B-1

	Electrical System    16            Up to 15 Transmission            8            Up to 15 Heater/HVAC            8            Up to 15 <b>Pricing information required with bid.</b>		
<b>29.14</b>	Any and all training must be performed by a factory certified trainer and not by sales personnel.	\$ X	
<b>29.15</b>	MaineDOT Fleet Services will require a refresher/follow-up training on Engine, Electrical, Transmission and HVAC systems on 11 <sup>th</sup> month of the second year from the vehicle in-service date. <b>Pricing information required with bid.</b>	\$ 8,800.00 (\$2200/DAY 4 DAYS)	
	<b>GENERAL OPTIONS</b>		
<b>29.16</b>	MaineDOT hourly rate for service or repairs at awarded Bidder's facility. <b>Pricing information required with bid.</b>	\$ 98.00 / HR.	

**BID SUBMISSION REQUIREMENTS:**

In addition to required information as exhibited in the specifications, the Bidder shall also provide:

- Warranty and extended warranty data for chassis, cab, and all sub-components.
- Specifications on the proposed Engine, Transmission, and Chassis.
- A computer analysis of the proposed engine, transmission, rear end combination which is being offered must be provided with bid returns.
- Manufacturer's web-based Service Information site.
- Failure to supply the required documentation may render the bid non-responsive.

**Prior to any vehicles being accepted by, and any partial payment being made by MaineDOT/Fleet Services, all vehicles will be inspected for compliance to these Technical specifications. The inspections will be performed by MaineDOT/Fleet Services or their designated representative.**

## **Commodity Line #2 Specifications**

### **Thirty-Four Thousand (34,000 lb.) GVWR T4X2 Heavy Truck Crew Cab**

**Thirty-Four Thousand (34,000 lb.) GVWR Crew Cab Truck with automatic transmission. Cab and Chassis designed to mount a Dump Body, with Ice and Snow Removal Equipment**

#### **INTENT**

It is the purpose and intent of these specifications to describe a base vehicle and options with a Thirty-Four Thousand (34,000) pound GVWR, of substantial and durable construction congruent to practices acceptable to the chassis manufacturer. A vehicle, with a conventional cab (pick up type cabs and expanded roofs are not acceptable). This vehicle will be used in all months of the year pertaining to highway maintenance activities in a climate related to such as that in The State of Maine, by The Maine Department of Transportation. During winter maintenance, the vehicles main purpose will be the removal of ice and snow, sanding and salting which necessitates the installation of a myriad of controls, radios, etc. To accommodate these controls and provide acceptable operator ergonomics and comfort it is imperative that the truck cabs provide as much clear interior space as possible. The cab width must be a minimum of 70” interior door to interior door while the dash board, heater and other appurtenances must not diminish interior clear space for the installation of controls, radios, etc. The chassis is to be the heaviest duty available with all possible options to make it a heavy-duty vehicle.

The purpose of the BBC dimension is strictly to provide guidance in the selection of the appropriate make and model. Reasonable allowances will be made for the BBC dimension provided that intrusion of engine or doghouse into the cab is kept to an absolute minimum. The seats must be a premium high back and the most comfortable available with a minimum of 5” of vertical travel in the air suspended driver's seat. At full vertical driver seat height, there must be sufficient head, chest and lower torso clearance to both the roof and the steering wheel for individuals of larger than normal stature.

If cab mounted air ride suspension is provided as standard equipment by the manufacturer, then the vertical exhaust must be either cab mounted (which is preferred) or additional CA must be added to accommodate the frame mounting of the exhaust. Additionally, and for any other reason, if the exhaust system intrudes upon or diminishes useable CA then additional CA must be added to accommodate the loss. Fuel tanks must not extend past the rear of the cab.

It will also be the responsibility of the Bidder and/or Vehicle manufacturer to supply any and all “factory plow truck option packages” necessary to facilitate the assembly of the truck chassis and the



## Appendix B-2

related components supplied by others (such as the body and plow vendors) into a completed and fully functional plow truck. This would refer to inclusion of but not to be limited to special plow truck spring and suspension components, plow truck wiring harnesses, electrical relays, additional electronic speedometer feeds, plow truck light harnesses, etc. MaineDOT/Fleet Services must approve the “factory plow truck option packages,” prior to purchases or assembly.

**COMPLETENESS**

The price quoted in any proposal submitted shall include all items of labor, materials, tools, equipment, and other costs necessary to fully complete the manufacture and delivery of the vehicle pursuant to these specifications.

Any part or detail which makes the vehicle complete and ready for service shall not be omitted, even though such part or detail is not mentioned in these specifications.

**CONFORMITY**

All parts not specified shall be manufacturer’s best quality and shall conform in materials, design, or workmanship to the best practice known in the automobile industry. All parts shall be new and in no case will used, reconditioned or obsolete parts be accepted. The parts on all vehicles provided by the manufacturer should be interchangeable.

**INSTRUCTIONS FOR COMPLETING TECHNICAL SPECIFICATION SHEET**

Please complete the checklist for technical specifications set forth below.

**Electronically enter responses directly into the text-enabled fields next to each specification, including actual dimensions when applicable.** Each Bidder must indicate whether it can meet the technical specifications by inserting an “X” next to each specification. The “X” will demonstrate that the Bidder’s offering meets the technical specification. If a Bidder cannot meet a technical specification, then the Bidder must give an explanation for each exception and for equipment that is not available or that will be dealer installed. All explanations must be provided in detail on separate pages along with the justification as to why the alternative equipment or deliverables will be as good as the equipment or deliverables described in the detailed specifications for desired items. A copy of the vendor specification proposal must be provided. Following these instructions is essential for proper bid evaluation.

**If a Bidder fails to provide requested information or if information on a quote is found to be false or misleading, the quote will be rejected as unresponsive. The award will be made on a best value basis to the vendor that either meets or most closely meets the specifications, while taking price and delivery into consideration.**

## Appendix B-2

**CREW CAB PATROLS**

The following abbreviations must be used:

<b>X</b>	<b>As specified</b>
<b>N/A</b>	<b>Not Available</b>
<b>DI</b>	<b>Dealer Installed</b>
<b>AE</b>	<b>Approved Equal</b>

	<b>2.0 ENGINE</b> <b>The proposed diesel engine <u>must</u> comply with the New Motor Vehicle Emission Standards issued by the Maine Department of Environmental Protection in the Code of Maine Rules (06-096 CMR Chapter 127).</b>	<b>Abbreviation</b>	<b>Actual Dimension</b>	<b>Notes</b>
<b>2.1</b>	IHC, Volvo, Cummins, Detroit, Mack or Paccar			Cummins L-9
<b>2.2</b>	300 H.P. minimum	<b>x</b>		
<b>2.3</b>	800 lbs. ft. torque, minimum	<b>x</b>		860 ft-lb
<b>2.4</b>	Adapter for Spicer coupler 2-2-479 on crankshaft, factory installed	<b>x</b>		
<b>2.5</b>	Engine idle time history must be maintained and accessible from the truck's onboard computer system.	<b>x</b>		
<b>2.6</b>	Stainless Steel oil pan or approved equal	<b>x</b>		
<b>2.7</b>	A wet sleeve engine.	<b>x</b>		
<b>2.8</b>	Proven history of application in similar service.	<b>x</b>		
<b>2.9</b>	Turbocharger	<b>x</b>		
<b>2.10</b>	Oil cooled.	<b>x</b>		
<b>2.11</b>	Extreme service oil filtration system (no remote mount filter assembly will be accepted).	<b>x</b>		
<b>2.12</b>	Magnetic oil drain plug.	<b>x</b>		

## Appendix B-2

<b>2.13</b>	Engine block heater 115 volts with 1,250 watts, receptacle with spring operated lid mounted under driver's door.	<b>AE</b>		120 volt/1000 watt
	<b>3.0 TRANSMISSION</b>	<b>Abbreviation</b>	<b>Actual Dimension</b>	<b>Notes</b>
<b>3.1</b>	Dedicated ground speed wire shall be accessible inside the cab for connection to spreader controls.	<b>x</b>		
<b>3.2</b>	Synthetic oil must be provided.	<b>x</b>		
<b>3.3</b>	PTO openings.	<b>x</b>		
<b>3.4</b>	Magnetic oil plug.	<b>x</b>		
<b>3.5</b>	Input rated at not less than 125% of net engine torque.	<b>x</b>		
<b>3.6</b>	Must have 2" input shaft.	<b>x</b>		
<b>3.7</b>	Stainless Steel transmission cooler.	<b>AE</b>		Internal water to oil in end cap of radiator
<b>3.8</b>	Allison Transmission Model 3500RDS (1-5) or approved equal	<b>x</b>		
<b>3.9</b>	Push button selector to be flush mounted in dash or OEM counsel.	<b>x</b>		
<b>3.10</b>	Fourth generation electronic control shift selector with 2009 prognostic feature.	<b>x</b>		
<b>3.11</b>	Third gear hold option	<b>x</b>		
<b>3.12</b>	Additional stainless-steel transmission cooling must be supplied.	<b>x</b>		Stainless steel cooler hoses
<b>3.13</b>	Factory filled with TranSynd or Tes 295 equivalent fluid.	<b>x</b>		
<b>3.14</b>	Allison transmission electronic control module shall be relocated inside the cab to minimize exposure to corrosive elements.	<b>x</b>		

## Appendix B-2

	<b>4.0 STEERING</b>	<b>Abbreviation</b>	<b>Actual Dimension</b>	<b>Notes</b>
<b>4.1</b>	Must not interfere with plow application. Manufacturer's turning radius summary must be submitted with bid.	<b>x</b>		
<b>4.2</b>	Turning radius must not exceed a maximum distance of (33') thirty-three feet.	<b>x</b>		
<b>4.3</b>	Heavy-duty design suitable for snowplow and dump truck service.	<b>x</b>		
<b>4.4</b>	Ample gear reduction for off highway operation.	<b>x</b>		
<b>4.5</b>	Integral power steering or factory installed hydraulic boosters.	<b>x</b>		
	<b>5.0 DRIVELINE</b>	<b>Abbreviation</b>	<b>Actual Dimension</b>	<b>Notes</b>
<b>5.1</b>	Driveline to be heavy-duty and factory balanced.	<b>x</b>		
<b>5.2</b>	Universal joints on driveline SPL250HD.	<b>AE</b>		SPL 170XL
	<b>6.0 REAR AXLE</b>	<b>Abbreviation</b>	<b>Actual Dimension</b>	<b>Notes</b>
<b>6.1</b>	Driver controlled differential power divider. The differential shall be equipped with a safety feature, that will automatically disengage the locking differential at a speed of approximately 20 MPH.	<b>x</b>		
<b>6.2</b>	Prefer Meritor RS23-160, 23,000 lb. capacity single reduction rear.	<b>x</b>		
<b>6.3</b>	Rear end ratio should be 5.38 drive line ratio or a similar ration approved through Allison Scan Review report.	<b>AE</b>		4.56 ratio = 77.7MPH
<b>6.4</b>	Magnetic oil drain plug.	<b>x</b>		
<b>6.5</b>	Oil lubricated and sealed wheel bearings.	<b>x</b>		

## Appendix B-2

<b>6.6</b>	Synthetic oil must be provided.	<b>x</b>		
	<b>7.0 REAR SPRINGS AND SUSPENSION</b>	<b>Abbreviation</b>	<b>Actual Dimension</b>	<b>Notes</b>
<b>7.1</b>	31,000 lbs. capacity rear main springs, minimum.	<b>x</b>		
<b>7.2</b>	Clearance between inner dual tires and suspension system and break chambers shall not be less than 2”.	<b>x</b>		
<b>7.3</b>	All hardware shall be designed for extreme service.	<b>x</b>		
<b>7.4</b>	Helper springs shall be multi-leaf design and largest capacity.	<b>x</b>		
<b>7.5</b>	Spring mounting brackets and hardware (including shackles) shall be designed for extreme service.	<b>x</b>		
<b>7.6</b>	Main spring assembly shall be double wrapped front and rear.	<b>x</b>		
<b>7.7</b>	If a rear suspension is supplied utilizing torque arms with front and rear floating spring hangers, then a transverse torque arm from the frame to the top of the differential housing must also be supplied.	<b>x</b>		

	<b>8.0 FRONT AXLE</b>	<b>Abbreviation</b>	<b>Actual Dimension</b>	<b>Notes</b>
<b>8.1</b>	16,000 lb. minimum capacity set forward axle.	<b>x</b>		
<b>8.2</b>	Wide track, I-beam type with a minimum 50 degree turn angle.	<b>x</b>		
<b>8.3</b>	Set forward Axle suitable for snow plow and dump truck service.	<b>x</b>		
<b>8.4</b>	King pins to be metallic bushings with Zerk type grease fittings at all bushing locations.	<b>x</b>		

## Appendix B-2

8.5	Prefer double king pin locks in axle.	x		
8.6	Heavy-duty double acting shock absorbers.	x		
8.7	Synthetic oil lubricated and sealed wheel bearings with visible oil supply. Wheel bearings to be rated at 16,000 lb. minimum capacity.	x		
8.8	Largest capacity power steering reservoir with filter located for ease of service.	x		
8.9	Flexible fender extensions must be provided for the front fender wells if necessary to protect the hood and cab from wheel spray and splash.	x		
	<b>9.0 FRONT SPRINGS</b>	<b>Abbreviation</b>	<b>Actual Dimension</b>	<b>Notes</b>
9.1	Spring capacity L.H. 9,000 lbs. at ground minimum, multi-leaf or combination of multi-leaf spring and helper. Additional leaves added to factory spring to meet specs are not acceptable.	x		
9.2	Spring capacity R.H. 9,000 lbs. at ground minimum, multi-leaf or combination of multi-leaf spring and helper. Additional leaves added to factory spring to meet specs are not acceptable.	x		
9.3	Heavy-duty suspension designed to support plow or vee plow and wing in travel position and under full ballast load with no appreciable sag or deflection on either side. (1" + or -1/2").	x		
9.4	Spring mounting hardware and brackets (including shackles) to be H.D.	x		
9.5	The complete suspension system, but especially the front springs, must be designed, constructed or reconstructed/reinforced if necessary to substantially transfer weight to the rear axle	x		

## Appendix B-2

	and rear wheels/suspension opposite the wing to prevent the unloading of this axle with plow gear and plows in the up or carry position with an empty body.			
	<b>10.0 AIR/BRAKE SYSTEM</b>	<b>Abbreviation</b>	<b>Actual Dimension</b>	<b>Notes</b>
<b>10.1</b>	Front brakes 16½ x 6” air brakes	<b>x</b>		
<b>10.2</b>	Rear brakes 16½ x 7”	<b>x</b>		
<b>10.3</b>	Long stroke 3” brake chambers 30/30 long stroke Haldex Life Seal chambers on rear axles. Front brake chambers to be Haldex Life Seal	<b>AE</b>		Front Bendix std not available Haldex life seat rear
<b>10.4</b>	Haldex automatic brake adjusters on all axles.	<b>x</b>		
<b>10.5</b>	Bendix Tu Flo 500 air compressor lubricated via the engine lube system.	<b>AE</b>		18.7CFM
<b>10.6</b>	Dual air brake system.	<b>x</b>		
<b>10.7</b>	Bendix AD-IP air dryer, to include heater.	<b>x</b>		
<b>10.8</b>	Pull drains on each reservoir with the loose end of the cable attached professionally in a location that is easily accessible to the operator.	<b>x</b>		
<b>10.9</b>	Reservoir to have ample road clearance and be of sufficient reserve capacity to support all vehicle air accessories and systems and have capacity to also support a tag-along trailer.	<b>xx</b>		
<b>10.10</b>	Semitrailer connections and breakaway valve mounted on the rearmost cross member in such a way as not to interfere with proper placement of lights, pintle hook or license plates.	<b>x</b>		

## Appendix B-2

10.11	Hand control valve (trolley valve) mounted on the steering column to operate the semitrailer.	AE		Mounted on dash panelx
10.12	Air horn.	x		
10.13	Air compressor to have dry filtered air inlet.	x		
10.14	Front and rear S cam brakes preferred.	x		
10.15	All brakes must have backing plates.	x		
10.16	All brake air lines will be run in the same locations.	x		
	<b>11.0 ELECTRICAL SYSTEM</b>	<b>Abbreviation</b>	<b>Actual Dimension</b>	<b>Notes</b>
11.1	12 volt Leece-Neville 160-amp capacity alternator Model 2800JB/BLD 2309.	AE		LN -160 amp w. remote sensor
11.2	Delco 39 Gear Reduction starter with overcrank protection.	x		
11.3	Three (3) 12 volt batteries, 2700 CCA @ 0° F, 104-amp hour capacity, minimum, maintenance free type, must be mounted on frame rail to accommodate and not interfere with mounted snow plow equipment.	x		
11.4	Enclosed battery compartment with proper ventilation to the outside atmosphere.	x		
11.5	All exterior wiring to be of salt resistant type in suitable loom or conduit. Waterproof plug type connectors to be used at all exposed locations. All connections not waterproofed must be shrink wrapped.	x		
11.6	Manually operated <b>lockable</b> master battery disconnect switch location is <b>not</b> be mounted on the floor or in the environment, preferability in cab where it's readily accessible to operator. The battery disconnect switch break on the negative cable side.	x		



## Appendix B-2

<b>11.7</b>	Sealed battery cable ends, color-coded. (Red + Pos., Black-Neg.).	<b>x</b>		
<b>11.8</b>	Trailer feed circuit to rear of frame includes: Combined Trailer Stop, Tail, Turn, Marker Light, Trailer ABS. Wiring connections location to be inside cab for mounting DOT electric brake control.	<b>x</b>		
<b>11.9</b>	A complete "AS BUILT" wiring schematic manual on CD or Thumb Drive required to be supplied. A sample wiring schematic required to be supplied with the bid proposal.	<b>x</b>		
<b>11.10</b>	All electrical connections are required to be treated with di-electric grease.	<b>DI</b>		Not recommended
<b>11.11</b>	All electrical cable will be run in the same locations on all units.	<b>x</b>		
	<b>12.0 FRAME</b>	<b>Abbreviation</b>	<b>Actual Dimension</b>	<b>Notes</b>
<b>12.1</b>	Single Heavy-Duty Channel Frame Rail powder coated with a minimum of PSI 1200,000, Section Modulus 22.12, RBM 2,654,400.	AE		PSI 120,000 SM 20.93 RBM 2,511,600
<b>12.2</b>	Straight channel frame rail suitable for heavy-duty plow and dump truck service.	<b>x</b>		
<b>12.3</b>	Fish plates not acceptable.	<b>x</b>		
<b>12.4</b>	Frame designed as not to interfere with Spicer crankshaft coupler 2-2-79.	<b>x</b>		
<b>12.5</b>	All heavy-duty gusseted cross members	<b>x</b>		
<b>12.6</b>	Frame extension are required to meet the same standard as truck frame if extensions are required.	<b>x</b>		

	<b>13.0 FUEL SYSTEM</b>	<b>Abbreviation</b>	<b>Actual Dimension</b>	<b>Notes</b>
--	-------------------------	---------------------	-------------------------	--------------

## Appendix B-2

13.1	Heavy-duty aluminum, minimum 2-inch wide straps with rubber shims/liners must be used.	x		
13.2	Tank <u>must not</u> extend past the rear of the cab.	x		
13.3	Aluminum step type fuel tank with a minimum capacity of 70 gallons.	x		
13.4	Non-skid step.	x		
13.5	12" minimum road clearance mandatory.	x		
13.6	Manually operated hand fuel primer pump.	x		
13.7	Fuel lines to be the appropriate flexible type line.	x		
13.8	Tanks to be vented in such a manner to prevent fuel spillage if operating on a slope or on level ground with tank full and fuel warm.	x		
	<b>14.0 WHEELS AND TIRES</b>	<b>Abbreviation</b>	<b>Actual Dimension</b>	<b>Notes</b>
14.1	One piece white powder coat painted, tubeless heavy load application 10 hole, 285 mm rims, <ul style="list-style-type: none"> <li>• F) 9.0 X 22.5 with 7.0" wheel off set Accuride A29300PW</li> <li>• R) 8.25 X 22.5 with 6.62" wheel off set Accuride A29169PW</li> </ul>	x		
14.2	Wheels, rims and tires shall provide tire chain clearance without use of adapters, spacers, spoke extensions etc., local modifications not acceptable.	x		
14.3	Rear tires shall be the Bridgestone M799 model tread design or approved equal with an approved manufacture, Bridgestone, Michelin, or Continental brand.	x		Continental HDC1

## Appendix B-2

<b>14.4</b>	Front tires shall be the Bridgestone M860A model tread design or approved equal with an approved manufacture, Bridgestone, Michelin, or Continental brand.	<b>x</b>		Continental HSC1
<b>14.5</b>	Front 315/80R 22.5 LRL radial tubeless tire (L ply rating).	<b>x</b>		
<b>14.6</b>	Rear 11R X 22.5 LRH radial tubeless tire with it (H ply rating).	<b>x</b>		
<b>14.7</b>	13.5" Dual wheel spacing required.	<b>AE</b>		13.24"
<b>14.8</b>	Liquid tire balancer KTB tire treatment (U.S. EPA approved).	<b>DI</b>		
<b>14.9</b>	Heavy-duty 5 hand hole hub piloted wheel system.	<b>x</b>		
<b>14.10</b>	Lead wheel weight will not be accepted.	<b>x</b>		
<b>14.11</b>	Each unit shall be delivered with one mounted spare front tire and one mounted spare rear tire. Tires shall have the liquid balancer installed.	<b>x</b>		
	<b>15.0 COOLING SYSTEM</b>	<b>Abbreviation</b>	<b>Actual Dimension</b>	<b>Notes</b>
<b>15.1</b>	Radiator and mounts shall be designed and installed so as not to interfere with Spicer crankshaft coupler 2-2-79.	<b>x</b>		
<b>15.2</b>	Space shall be provided under or through radiator to mount crankshaft driven hydraulic pump.	<b>x</b>		
<b>15.3</b>	Non-silicone type radiator and coolant lines.	<b>x</b>		
<b>15.4</b>	Radiator core and tanks shall be of heavy-duty design and construction.	<b>x</b>		
<b>15.5</b>	Ample capacity for continuous high engine output under extreme temperatures and/or operating conditions.	<b>x</b>		

## Appendix B-2

<b>15.6</b>	Heavy-duty mounting brackets and hardware.	<b>x</b>		
<b>15.7</b>	Two-stage fan clutch.	<b>x</b>		
<b>15.8</b>	Coolant shall be Extended Life rated for –35 degrees upon delivery to MaineDOT Fleet Services.	<b>x</b>		
	<b>16.0 EXHAUST</b>	<b>Abbreviation</b>	<b>Actual Dimension</b>	<b>Notes</b>
<b>16.1</b>	Vertical exhaust designed and installed so as not to interfere with any customer installed accessories (i.e. snow plows, hydraulic tanks, etc.).	<b>x</b>		
<b>16.2</b>	Exhaust deflector elbow	<b>x</b>		
<b>16.3</b>	Heavy-duty mounting brackets, elbows, piping and expansion joints.	<b>x</b>		
<b>16.4</b>	Aluminized horizontal muffler.	<b>AE</b>		Stainless steel material
<b>16.5</b>	Exhaust System design to keep noise to lowest practical level in accordance with Federal Regulations.	<b>x</b>		
	<b>17.0 FILTERS</b>	<b>Abbreviation</b>	<b>Actual Dimension</b>	<b>Notes</b>
<b>17.1</b>	Heavy-duty dry type air filter	<b>x</b>		
<b>17.2</b>	Operator's controlled snow valve for drawing air directly under engine hood is mandatory to prevent snow from clogging air filter. A seasonal two-way air inlet control valve is mandatory. Must be factory installed and clearly marked for use.	<b>x</b>		
<b>17.3</b>	All filters must be mounted to facilitate ease of servicing.	<b>x</b>		
<b>17.4</b>	Disposable spin on type oil and fuel filters.	<b>x</b>		

## Appendix B-2

17.5	Local filter installations or modifications are not acceptable.	x		
17.6	Fuel filter on the inlet or suction side of the injection pump <u>required</u> .	x		
	<b>18.0 CAB</b>	<b>Abbreviation</b>	<b>Actual Dimension</b>	<b>Notes</b>
18.1	To accommodate the controls and provide acceptable operator ergonomics and comfort it is imperative that the truck cabs provide as much clear interior space as possible. The cab width must be a minimum of 70" interior door to interior door while the dash board, heater and other appurtenances must not diminish interior clear space for the installation of controls, radios, etc. The chassis is to be the heaviest duty available with all possible options to make it a heavy-duty vehicle.	x		
18.2	Ergonomic integrated dash, minimum of fourteen (14) (factory installed) in ergonomic dash, low amperage switches with LED lighting. Three (3) colored LED lighted indicators controllable by means of relays. Circuit must support 20 amps, controlled by Remote Power Modules, installed inside cab to allow MaineDOT easy component wiring installation. All switches to be professionally labeled using factory laser cut plastic inserts.	x		
18.3	Standard BBC dimension approximately 135".	AE		150.9" BBC
18.4	Hood and fender to be of one piece design, tilt forward type with factory installed side access panels to provide safe, easy, complete access to the engine compartment for daily service (including coolant check) and periodic maintenance with full plow gear (including wing and post) installed. NOTE: Plow gear will not be moved or modified to accommodate hood opening.	x		

## Appendix B-2

<b>18.5</b>	Hood fenders must be designed to be no lower than the bottom of fuel tank and be secured tightly to prevent sailing. If need wind sail brackets are acceptable.	<b>x</b>		
<b>18.6</b>	Tilt and telescoping steering wheel.	<b>x</b>		
<b>18.7</b>	Four door crew cab with seating for five (5) occupants.	<b>x</b>		
<b>18.8</b>	All marker lights shall be LED type.	<b>x</b>		
<b>18.9</b>	Dome light shall have independent switch and shall not interfere with the Departments two-way radio.	<b>x</b>		
<b>18.10</b>	Cab heater shall be highest capacity available.	<b>x</b>		
<b>18.11</b>	Automatic low oil pressure/high temperature warning system wired in such a way as not to be easily accessible to the operator and be operational only when ignition switch is on.	<b>x</b>		
<b>18.12</b>	Heavy-duty 2-speed minimum, electrically operated windshield wipers with time delay.	<b>x</b>		
<b>18.13</b>	Dual sun visors.	<b>x</b>		
<b>18.14</b>	Dual outside mirrors shall be no less than 16" x 7" with integrated convex mirrors on both sides with marker light. All mirrors shall be 4-way electronically adjustable and heated.	<b>AE</b>		14.1x7.55 flat glass 7.48x6.77 convex
<b>18.15</b>	Exterior cab grab handle driver side.	<b>x</b>		
<b>18.16</b>	Exterior cab grab handle, passenger side.	<b>x</b>		
<b>18.17</b>	Seat belt webbing shall be a highly visible, bright orange in color.	<b>DI</b>		
<b>18.18</b>	Driver's seat shall be a premium high back cloth covered seat which will incorporate the following features/options:	<b>x</b>		

## Appendix B-2

	<ul style="list-style-type: none"> <li>a. adjustable dampening of the shock absorber</li> <li>b. wide seat cushion</li> <li>c. air controlled triple lumbar support</li> <li>d. front and rear seat cushion adjustment</li> <li>e. fore/aft seat track adjustment</li> <li>f. adjustable reclining backrest</li> <li>g. air adjustable back rest bolsters</li> <li>h. air adjustable seat cushion bolsters</li> <li>i. dual folding seat armrests</li> <li>j. five (5)-year warranty seat</li> </ul>			
<b>18.19</b>	The passenger seat shall be a deluxe or premium air-suspension seat with adjustable reclining backrest and lumbar support.	<b>x</b>		
<b>18.20</b>	Instruments to include but not limited to: Oil pressure gauge, Water temperature gauge, Fuel gauge, Brake warning lights, low air pressure light and alarm, voltmeter, Tachometer, air pressure gauge, Air filter restriction gauge and all gauges shall be properly marked and illuminated. (Transmission temp gauge with Automatic).	<b>x</b>		
<b>18.21</b>	Windshield shall be constructed with tinted glass.	<b>x</b>		
<b>18.22</b>	Full coverage insulated floor mat.	<b>x</b>		
<b>18.23</b>	All pedals are to be suspended off floor	<b>x</b>		
<b>18.24</b>	Heavy-duty insulated closed cab construction. <b>Cab insulation rating required with bid.</b>	<b>x</b>		Regulation letter in attachments
<b>18.25</b>	Stationary grill is highly preferred to increase engine accessibility when plow hardware is attached.	<b>x</b>		
<b>18.26</b>	12 Volt power port outlet and USB port.	<b>x</b>		
<b>18.27</b>	Back-up alarm	<b>x</b>		

## Appendix B-2

<b>18.28</b>	All vehicles to be keyed alike and supplied with 2 keys.	<b>x</b>		
<b>18.29</b>	Fresh air intake for heater/defroster must be protected or designed and installed to prevent entrance of sand/salt.	<b>x</b>		
<b>18.30</b>	Radiator grill openings to be of such size and design to protect radiator core from road debris of approximately 5/8" diameter.	<b>x</b>		
<b>18.31</b>	AM-FM radio with Bluetooth	<b>x</b>		
<b>18.32</b>	Suitable heavy-duty full width front bumper must be supplied on vehicle.	<b>x</b>		
<b>18.33</b>	Conventional cab - expanded, modified or bubble roof unacceptable.	<b>x</b>		
<b>18.34</b>	Daytime running headlights.	<b>x</b>		
<b>18.35</b>	Sealed beam headlights of halogen type.	<b>x</b>		
<b>18.36</b>	Air conditioning.	<b>x</b>		
<b>18.37</b>	Cruise control	<b>x</b>		
	<b>19.0 PAINT</b>	<b>Abbreviation</b>	<b>Actual Dimension</b>	<b>Notes</b>
<b>19.1</b>	Base coat clear coat paint.	<b>x</b>		
<b>19.2</b>	Color True Blue Metallic Dupont #M6620	<b>x</b>		
<b>19.3</b>	Chassis frame semi-gloss black enamel.	<b>x</b>		
<b>19.4</b>	Wheels white powder coated.	<b>x</b>		
<b>19.5</b>	Cab interior Gray.	<b>x</b>		
	<b>20.0 WHEELBASE AND CA</b>	<b>Abbreviation</b>	<b>Actual Dimension</b>	<b>Notes</b>
<b>20.1</b>	Wheelbase shall be approximately 220" or no longer or shorter than is essential for mounting a 10', 5-cubic yard front dump	<b>AE</b>		228"



## Appendix B-2

	body with 12" overhang and 20" minimum space between cab and body for mounting plow tower.			
<b>20.2</b>	Cab axle dimension shall be approximately 108".	<b>x</b>		
<b>20.3</b>	WB & CA shall accommodate a 5-cubic yard body and hoist and a rear tower hydraulic assembly for a wing plow.	<b>x</b>		
<b>20.4</b>	AF dimension must allow for minimum 12' of frame to extend past rear tires to facilitate mounting of the dump body.	<b>x</b>		
<b>20.5</b>	Clean, unobstructed CA to facilitate the mounting of plow equipment and body.	<b>x</b>		
	<b>21.0 EMISSIONS</b>	<b>Abbreviation</b>	<b>Actual Dimension</b>	<b>Notes</b>
<b>21.1</b>	A certification that states each new truck is equipped with a heavy-duty diesel engine (HDDE) that complies with, the New Motor Vehicle Emission Standards issued by the Maine Department of Environmental Protection in, the Code of Maine Rules (06-096 CMR Chapter 127).	<b>x</b>		

## Appendix B-2

	<b>22.0 PROGRAMMING</b>	<b>Abbreviation</b>	<b>Actual Dimension</b>	<b>Notes</b>
<b>22.1</b>	No engine idle time shall accumulate when combination of “engine is running, parking brakes are released and the transmission is in gear and over 2 mph”.	<b>x</b>		
<b>22.2</b>	Parking brake alarm, Electric horn sounds repeatedly when parking brake is not engaged with ignition off and driver’s door open.	<b>x</b>		
<b>22.3</b>	All switches and indicators must be configured and labeled per MaineDOT specifications.	<b>x</b>		
<b>22.4</b>	Onboard dash diagnostic	<b>x</b>		
<b>22.5</b>	Driver controlled locking differential. The differential shall be equipped with a safety feature, that will automatically disengage the locking differential at a speed of approximately 20 MPH.	<b>x</b>		
<b>22.6</b>	Cruise control to be set as low as possible (max 25 mph).	<b>x</b>		
<b>22.7</b>	Top speed to be set at 75 mph.	<b>x</b>		
<b>22.8</b>	PTO speed set at 1200 rpm.	<b>x</b>		
<b>22.9</b>	Record and view MPG at the Dash Cluster.	<b>x</b>		
<b>22.10</b>	Windshield wipers shall be automatically forced to slowest intermittent speed when the parking brake is set and wipers left on for a predetermined time.	<b>x</b>		
	<b>23.0 WARRANTY</b>	<b>Abbreviation</b>	<b>Actual Dimension</b>	<b>Notes</b>
<b>23.1</b>	Terms and conditions of warranty must be provided with bid proposal (Warranty must	<b>x</b>		

## Appendix B-2

	be clearly defined and all components covered must be clearly listed and identified).			
<b>23.2</b>	In-Service Date: Warranty on vehicles (not placed in service immediately because of time lag due to installation of plow components, special equipment, seasonal usage or other delays) shall be warranted from the date the vehicle is actually placed in service. MaineDOT Fleet Services Augusta shall notify the vendor in writing of "in service" date.	<b>x</b>		
<b>23.3</b>	During the term of the manufacturer's warranty Fleet Services reserves the right to perform any and all warranty "in house" to meet operational needs or demand with the exception of major engine, transmission and rear axle rebuild or repair unless pre-authorization by vendor. Fleet Services will recover all parts and labor cost as allowed by manufacturer's flat rate manual OEM parts may be supplied at no cost by the manufacturer, dealer or may be purchased by Fleet Services on the open market to meet operational demand. Any and all defective parts will be returned to the manufacturer or dealer upon request.	<b>x</b>		
	<b>24.0 MANUALS</b>	<b>Abbreviation</b>	<b>Actual Dimension</b>	<b>Notes</b>
<b>24.1</b>	One (1) operator's manual per unit.	<b>x</b>		
<b>24.2</b>	Ten (10) Shop equipment repair manuals, CDs or Thumb Drive	<b>x</b>		
<b>24.3</b>	Ten (10) Engine shop manuals, CDs or Thumb Drive	<b>x</b>		
<b>24.4</b>	Ten (10) Equipment parts manuals, CDs or Thumb Drive	<b>x</b>		
<b>24.5</b>	Ten (10) Engine parts manuals, CDs or Thumb Drive	<b>x</b>		

## Appendix B-2

	<b>25.0 TRAINING</b>	<b>Abbreviation</b>	<b>Actual Dimension</b>	<b>Notes</b>
<b>25.1</b>	All manufacturer's training programs being offered, shall be defined in detail and a writing proposal of what those programs will entail and submitted with bid packet.	<b>x</b>		
<b>25.2</b>	Training for Operation and Maintenance personnel to be performed by a factory certified trainer only. To include a minimum of 4 hours of training to take place within the 5 MaineDOT Regions within the State. This Training may be videotaped by MaineDOT for future use by MaineDOT trainers.	<b>x</b>		
<b>25.3</b>	Any applicable training material, (i.e., video tapes, manuals, CD, etc.) which is available for the components, systems or equipment, etc. must be supplied by the vendor, manufacturer, or dealer to MaineDOT with written permission for MaineDOT to duplicate such at will for in-house usage/training.	<b>x</b>		
	<b>26.0 GENERAL</b>	<b>Abbreviation</b>	<b>Actual Dimension</b>	<b>Notes</b>
<b>26.1</b>	All manuals, CDs or Thumb Drives should be delivered prior to acceptance of the final chassis.	<b>x</b>		
<b>26.2</b>	Chassis to be completely serviced, tuned up, wheels balanced (front) and steering geometer. Documentation of such service must be provided pertaining to each vehicle upon delivery.	<b>x</b>		
<b>26.3</b>	Vehicles offered must comply with all applicable Federal and State of Maine Regulations. Certified GVWR must be furnished.	<b>x</b>		
<b>26.4</b>	It is the responsibility of the chassis manufacturer to provide or reposition components to provide "clear frame" for	<b>x</b>		

## Appendix B-2

	installation of accessories or accessory equipment.			
<b>26.5</b>	The CA, WB and placement of the body etc. must not cause the summer loaded vehicle to exceed the gross axle weight for special commodities as specified in Title 29-A, Section 2357, 2, A. or B. as appropriate.	x		
	<b>27.0 SERVICES</b>	<b>Abbreviation</b>	<b>Actual Dimension</b>	<b>Notes</b>
<b>27.1</b>	MaineDOT's objective is to have the vendor provide warranty and service at facilities that are as close as possible to localities where the trucks will be used. To that end, MaineDOT desires that the vendors will have warranty and service facilities located within 75 miles of each division headquarters, Scarborough, Augusta, Dixfield, Bangor and Caribou.	x		Location detail attached
<b>27.2</b>	Vendors must provide a list of bidder service center locations.	x		
<b>27.3</b>	Bidders must supply a written explanation describing such things as the locations of the facilities, the times the facilities will be available for use, qualifications of the staff at the facilities and how the vendor will provide warranty and service at these service facilities. (Explain in a written document submitted with the proposal).	x		
	<b>28.0 GENERAL OPTIONS</b> <b>The following items shall be listed and priced separately</b>	<b>Price</b> <b>List all available packages</b>		<b>Notes</b>
<b>28.1</b>	Extended Engine Warranty (Warranty coverage and time frame must be clearly defined and all components covered must be clearly listed and identified).	\$ 2765/48 months/150000 \$ 2790/60 months/100000 \$ 2581/72 months/150000		After treatment included
<b>28.2</b>	Extended Warranty Tow packet (Warranty coverage, time frame and additional cost to MaineDOT must be clearly laid out and described).	\$ 590/36 months \$ 660/48 months \$ 760/60months		\$275 maximum/tow

## Appendix B-2

28.3	Vendor is to be (100%) responsible for all transportation costs during standard 12-month warranty period if vehicle is non-drivable.	x		
<b>29.0 OPTIONS</b>				
	<b>CAB</b>			
29.1	Factory or a factory outfitter's facility installed Dual, Left or Right Driver Controlled Auxiliary Air Bags (double wing vehicles) shall have individual switches to control each air bag. <b>Air bag pricing information required with bid.</b>	<b>Dual Airbags</b> \$ 1540  <b>Left or Right Airbag</b> \$ 770		
29.2	Multiplex wiring.	x		
29.3	Power windows, controlled at each door for easy accessibility for both driver and passenger.	x		
29.4	Power door locks for both doors controlled at driver's door or at dash panel.	x		
29.5	Heated windshield <b>Pricing information required with bid.</b>	\$ 632		
<b>PROGRAMMING</b>				
29.6	All doors must unlock when driver's door is open.	x		
29.7	All doors must lock once truck reaches 5 mph.	x		
29.8	Pre-trip exterior light inspection switch-Engaging light inspection switch will sequentially flash all exterior lights.	x		
<b>MANUALS</b>				
29.9	MaineDOT shall have free accessibility to manufacturer's web based Service Information program for a period of not less than 5 years. In this program, Fleet, shall have access to all vehicle information by using vehicle VIN #. This program shall	x		

## Appendix B-2

	include; Parts and Operators manuals, all warranty information, complete troubleshooting & diagnostic and wiring diagrams manuals for the engine and truck chassis. VIN specific “as built” components. <b>(Programs being offered must be provided with bid packet, access code must be provided in bid for MaineDOT to review programs.)</b>			
<b>29.10</b>	Provide ten (10) interface USB-Link Drivers and cables that are compatible to vehicle and laptop. <b>Pricing information required with bid.</b>	\$ 756/unit = \$7560		
<b>29.11</b>	Provide ten (10) of the latest version of vehicle interface diagnostic software programs subscriptions that diagnose Engine, Chassis, Transmission, ABS, instrument panels and other electronic functions. The program must support wired or wireless connectivity. <b>Pricing information required with bid.</b>	\$ included		
<b>29.12</b>	Over a 5 year period the vendor shall provide MaineDOT ten (10) subscriptions of the latest version of vehicle interface diagnostic software. Also, the USB-Link Drivers and Cables if the new version requires USB-Link Drivers and Cables to be update. <b>Pricing information required with bid.</b>	\$ included		
	<b>TRAINING</b>			
<b>29.13</b>	Training for the Fleet Services Technicians shall be performed at each two (2) MaineDOT Fleet Services maintenance facilities. Technician training, shall include but not limited to the following: trouble shooting, and test procedures for Electrical System, Drive Train, Engine and Transmission Electronics Training and shall take place on the 11 <sup>th</sup> month from the vehicle in-service date, prior to the expiration date of the vehicle warranty (unless a conflict of scheduling arises in	\$ 2200/day, minimum 4 days = \$8800 per training session		

## Appendix B-2

	which case the proposed training dates may need to be extended).																	
	<table border="0"> <tr> <td><b><u>Training Requirements</u></b></td> <td># of Hours</td> <td># of Technicians</td> </tr> <tr> <td>Engine</td> <td>16</td> <td>Up to 15</td> </tr> <tr> <td>Electrical System</td> <td>16</td> <td>Up to 15</td> </tr> <tr> <td>Transmission</td> <td>8</td> <td>Up to 15</td> </tr> <tr> <td>Heater/HVAC</td> <td>8</td> <td>Up to 15</td> </tr> </table> <p><b>Pricing information required with bid.</b></p>	<b><u>Training Requirements</u></b>	# of Hours	# of Technicians	Engine	16	Up to 15	Electrical System	16	Up to 15	Transmission	8	Up to 15	Heater/HVAC	8	Up to 15		
<b><u>Training Requirements</u></b>	# of Hours	# of Technicians																
Engine	16	Up to 15																
Electrical System	16	Up to 15																
Transmission	8	Up to 15																
Heater/HVAC	8	Up to 15																
<b>29.14</b>	Any and all training must be performed by a factory certified trainer and not by sales personnel.	<b>x</b>																
<b>29.15</b>	MaineDOT Fleet Services will require a refresher/follow-up training on Engine, Electrical, Transmission and HVAC systems on 11 <sup>th</sup> month of the second year from the vehicle in-service date. <b>Pricing information required with bid.</b>	<b>\$ 2200/day, minimum 4 days unless Daigle &amp; Houghton certified can train \$550/day</b>																
	<b>GENERAL OPTIONS</b>																	
<b>29.16</b>	MaineDOT hourly rate for service or repairs at awarded Bidder's facility. <b>Pricing information required with bid.</b>	<b>\$ 98/hour</b>																

**BID SUBMISSION REQUIREMENTS:**

In addition to required information as exhibited in the specifications, the Bidder shall also provide:

- Warranty and extended warranty data for chassis, cab, and all sub-components.
- Specifications on the proposed Engine, Transmission, and Chassis.
- A computer analysis of the proposed engine, transmission, rear end combination which is being offered must be provided with bid returns.
- Manufacturer's web-based Service Information site.
- Failure to supply the required documentation may render the bid non-responsive.

**Prior to any vehicles being accepted by, and any partial payment being made by MaineDOT/Fleet Services, all vehicles will be inspected for compliance to these Technical specifications. The inspections will be performed by MaineDOT/Fleet Services or their designated representative.**



## Commodity Line #3 Specifications

### Fifty-Four Thousand (54,000 lb.) GVWR T6X4 Heavy Truck Wheeler Regular Cab

#### **Fifty-Four Thousand (54,000 lb.) GVWR Heavy Truck with Cab and Chassis designed to mount a Dump Body, with Ice and Snow Removal Equipment**

#### **INTENT**

It is the purpose and intent of these specifications to describe a base vehicle and options with a Fifty-Four Thousand (54,000) pound GVWR, of substantial and durable construction congruent to practices acceptable to the chassis manufacturer. A vehicle, with a conventional cab (pick up type cabs and expanded roofs are not acceptable). This vehicle will be used in all months of the year pertaining to highway maintenance activities in a climate related to such as that in the State of Maine, by MaineDOT. During winter maintenance, the vehicle's main purpose will be the removal of ice and snow, sanding and salting which necessitates the installation of a myriad of controls, radios, etc. To accommodate these controls and provide acceptable operator ergonomics and comfort, it is imperative that the truck cabs provide as much clear interior space as possible. The cab width must be a minimum of 70" interior door to interior door while the dash board, heater and other appurtenances must not diminish interior clear space for the installation of controls, radios, etc. The chassis is to be the heaviest duty available with all possible options to make it a heavy-duty vehicle.

The purpose of the BBC dimension is strictly to provide guidance in the selection of the appropriate make and model. Reasonable allowances will be made for the BBC dimension provided that intrusion of engine or doghouse into the cab is kept to an absolute minimum. The seats must be a premium high back and the most comfortable available with a minimum of 5" of vertical travel in the air suspended driver's seat. At full vertical driver seat height, there must be sufficient head, chest and lower torso clearance to both the roof and the steering wheel for individuals of larger than normal stature.

If cab mounted air ride suspension is provided as standard equipment by the manufacturer, then the vertical exhaust must be either cab mounted (which is preferred) or additional CA must be added to accommodate the frame mounting of the exhaust. Additionally, and for any other reason, if the exhaust system intrudes upon or diminishes useable CA then additional CA must be added to accommodate the loss. Fuel tank must not extend past the rear of the cab.

It will also be the responsibility of the Bidder and/or Vehicle manufacturer to supply any and all "factory plow truck option packages" necessary to facilitate the assembly of the truck chassis and the related components supplied by others (such as the body and plow vendors) into a completed and fully functional plow truck. This would refer to inclusion of, but not to be limited to, special plow truck

Appendix B-3

spring and suspension components, plow truck wiring harnesses, electrical relays, additional electronic speedometer feeds, plow truck light harnesses, etc. MaineDOT Fleet Services must approve the “factory plow truck option packages,” prior to purchases or assembly.

**COMPLETENESS**

The price quoted in any proposal submitted shall include all items of labor, materials, tools, equipment, and other costs necessary to fully complete the manufacture and delivery of the vehicle pursuant to these specifications.

Any part or detail which makes the vehicle complete and ready for service shall not be omitted, even though such part or detail is not mentioned in these specifications.

**CONFORMITY**

All parts not specified shall be manufacturer’s best quality and shall conform in materials, design, or workmanship to the best practice known in the automobile industry. All parts shall be new and in no case, will used, reconditioned or obsolete parts be accepted. The parts on all vehicles provided by the manufacturer should be interchangeable.

**INSTRUCTIONS FOR COMPLETING TECHNICAL SPECIFICATION SHEET**

Please complete the checklist for technical specifications set forth below.

**Electronically enter responses directly into the text-enabled fields next to each specification, including actual dimensions when applicable.** Each Bidder must indicate whether it can meet the technical specifications by inserting an “X” next to each specification. The “X” will demonstrate that the Bidder’s offering meets the technical specification. If a Bidder cannot meet a technical specification, then the Bidder must give an explanation for each exception and for equipment that is not available or that will be dealer installed. All explanations must be provided in detail on separate pages along with the justification as to why the alternative equipment or deliverables will be as good as the equipment or deliverables described in the detailed specifications for desired items. A copy of the vendor specification proposal must be provided. Following these instructions is essential for proper bid evaluation.

**If a Bidder fails to provide requested information or if information on a quote is found to be false or misleading, the quote will be rejected as unresponsive. The award will be made on a best value basis to the vendor that either meets or most closely meets the specifications, while taking price and delivery into consideration.**

## Appendix B-3

**WHEELERS****The following abbreviations must be used:**

<b>X</b>	<b>As specified</b>
<b>N/A</b>	<b>Not Available</b>
<b>DI</b>	<b>Dealer Installed</b>
<b>AE</b>	<b>Approved Equal</b>

<b>2.0 ENGINE</b>				
<b>The proposed diesel engine <u>must</u> comply with the New Motor Vehicle Emission Standards issued by the Maine Department of Environmental Protection in the Code of Maine Rules (06-096 CMR Chapter 127).</b>				
		<b>Abbreviation</b>	<b>Actual Dimension</b>	<b>Notes</b>
<b>2.1</b>	IHC, Volvo, Cummins, Detroit, Mack or Paccar	<b>X</b>		A 26
<b>2.2</b>	410 H.P. minimum	<b>X</b>		440 HP
<b>2.3</b>	1,450 lbs. ft. torque, minimum	<b>X</b>		
<b>2.4</b>	Adapter for Spicer coupler 2-2-479 on crankshaft, factory installed	<b>X</b>		
<b>2.5</b>	Engine idle time history must be maintained and accessible from the truck's onboard computer system.	<b>X</b>		
<b>2.6</b>	Stainless Steel oil pan or approved equal	<b>X</b>		
<b>2.7</b>	A wet sleeve engine.	<b>X</b>		
<b>2.8</b>	Proven history of application in similar service.	<b>X</b>		
<b>2.9</b>	Turbocharger	<b>X</b>		
<b>2.10</b>	Oil cooled.	<b>X</b>		
<b>2.11</b>	Extreme service oil filtration system (no remote mount filter assembly will be accepted).	<b>X</b>		
<b>2.12</b>	Magnetic oil drain plug.	<b>X</b>		

## Appendix B-3

2.13	Engine block heater 115 volts with 1,250 watts, receptacle with spring operated lid mounted under driver's door.	AE		120 VOLT/1150 WATT
2.14	Three level engine manufacture Engine/Jacob's brake required.	X		
	<b>3.0 CLUTCH</b>	<b>Abbreviation</b>	<b>Actual Dimension</b>	<b>Notes</b>
3.1	Clutch to be manually adjusted Eaton/Fuller EZ Pedal (no self-adjusting).	X		
3.2	Heavy-duty 14.5" dual plate, coaxial dampened.	AE		15.5"
3.3	Cast iron pressure plate, manually adjustable, with grease-able throw out bearing.	X		
3.4	One (1) piece torque limiting clutch brake.	X		
	<b>4.0 TRANSMISSION</b>	<b>Abbreviation</b>	<b>Actual Dimension</b>	<b>Notes</b>
4.1	Dedicated ground speed wire shall be accessible inside the cab for connection to spreader controls.	X		
4.2	Synthetic oil must be provided.	X		
4.3	Fuller RTO 16909ALL or approved equal.	X		
4.4	PTO openings.	X		
4.5	Magnetic oil plug.	X		
4.6	Input rated at not less than 125% of net engine torque.	X		
4.7	Must have 2" input shaft.	X		
4.8	Stainless Steel transmission cooler.	AE		OIL TYPE INCL. IN END RADIATOR CAP

## Appendix B-3

	<b>5.0 STEERING</b>	<b>Abbreviation</b>	<b>Actual Dimension</b>	<b>Notes</b>
<b>5.1</b>	Must not interfere with plow application. Manufacturer's turning radius summary must be submitted with bid.	<b>X</b>		
<b>5.2</b>	Turning radius not to exceed a maximum distance of (33') thirty-three feet.	<b>X</b>		
<b>5.3</b>	Heavy-duty design suitable for snowplow and dump truck service.	<b>X</b>		
<b>5.4</b>	Ample gear reduction for off highway operation.	<b>X</b>		
<b>5.5</b>	Dual integral power steering boxes	<b>X</b>		
<b>5.6</b>	Integral power steering or factory installed hydraulic boosters.	<b>X</b>		
	<b>6.0 DRIVELINE</b>	<b>Abbreviation</b>	<b>Actual Dimension</b>	<b>Notes</b>
<b>6.1</b>	Driveline to be heavy-duty and factory balanced.	<b>X</b>		
<b>6.2</b>	Universal joints on driveline SPL250HD.	<b>X</b>		
<b>6.3</b>	Universal joints on inter axle driveline SPL170XL.	<b>X</b>		
	<b>7.0 REAR AXLE</b>	<b>Abbreviation</b>	<b>Actual Dimension</b>	<b>Notes</b>
<b>7.1</b>	Driver controlled differential power divider. The differential shall be equipped with a safety feature, that will automatically disengage the locking differential at a speed of approximately 20 MPH.	<b>X</b>		
<b>7.2</b>	Prefer Meritor RT46-160P, 46,000 lb. tandem axle with power divider (operated by air control on dash).	<b>X</b>		

## Appendix B-3

7.3	Rear end ratio should be geared to accommodate engine RPM and transmission gear ratios while allowing for higher gradability, a 25% minimum off highway start.	X		
7.4	Magnetic oil drain plug.	X		
7.5	Oil lubricated and sealed wheel bearings.	X		
7.6	Synthetic oil to be provided.	X		
	<b>8.0 REAR SPRINGS AND SUSPENSION</b>	<b>Abbreviation</b>	<b>Actual Dimension</b>	<b>Notes</b>
8.1	46,000 lbs. suspension rating.	X		
8.2	T-Ride Suspension (3-leaf), Turftrax, Chalmer, or Hendrickson Suspension with 4 rear shocks or approved equal.	X		
8.3	Clearance between inner dual tires and suspension system and break chambers not to be less than 2".	X		
8.4	All hardware designed for extreme service.	X		
8.5	If a rear suspension is supplied utilizing torque arms with front and rear floating spring hangers, then a transverse torque arm from the frame to the top of the differential housing must also be supplied.	X		
	<b>9.0 FRONT AXLE</b>	<b>Abbreviation</b>	<b>Actual Dimension</b>	<b>Notes</b>
9.1	20,000 lb. minimum capacity set forward axle.	X		
9.2	Wide track, I-beam type with a minimum 50 degree turn angle.	X		
9.3	Set forward Axle suitable for snow plow and dump truck service.	X		
9.4	King pins to be metallic bushings with Zerk type grease fittings at all bushing locations.	X		

## Appendix B-3

9.5	Prefer double king pin locks in axle.	X		
9.6	Heavy-duty double acting shock absorbers.	X		
9.7	Synthetic oil lubricated and sealed wheel bearings with visible oil supply. Wheel bearings rated at 20,000 lb. minimum capacity.	X		
9.8	Largest capacity power steering reservoir with filter located for ease of service.	X		
9.9	Flexible fender extensions provided for the front fender wells if necessary to protect the hood and cab from wheel spray and splash.	X		
	<b>10.0 FRONT SPRINGS</b>	<b>Abbreviation</b>	<b>Actual Dimension</b>	<b>Notes</b>
10.1	Spring capacity L.H. 11,500 lbs. at ground minimum, multi-leaf or combination of multi-leaf spring and helper. Additional leaves added to factory spring to meet specs are not acceptable.	X		
10.2	Spring capacity R.H. 11,500 lbs. at ground minimum, multi-leaf or combination of multi-leaf spring and helper. Additional leaves added to factory spring to meet specs are not acceptable.	X		
10.3	Heavy-duty suspension designed to support plow or vee plow and wing in travel position and under full ballast load with no appreciable sag or deflection on either side. (1" + or - 1/2").	X		
10.4	Spring mounting hardware and brackets (including shackles) Heavy Duty type	X		
10.5	The complete suspension system, but especially the front springs, to be designed, constructed or reconstructed/reinforced if necessary to substantially transfer weight to the rear axle and rear wheels/suspension	X		

## Appendix B-3

	opposite the wing to prevent the unloading of this axle with plow gear and plows in the up or carry position with an empty body.			
	<b>11.0 AIR/BRAKE SYSTEM</b>	<b>Abbreviation</b>	<b>Actual Dimension</b>	<b>Notes</b>
<b>11.1</b>	Front brakes 16½ x 6" air brakes	<b>X</b>		
<b>11.2</b>	Rear brakes 16½ x 7"	<b>X</b>		
<b>11.3</b>	Long stroke 3" brake chambers 30/30 long stroke Haldex Life Seal chambers on rear axles. Front brake chambers to be Haldex Life Seal.	<b>AE</b>		FRONT BENDIX STD, REAR HALDEX LIFE SEAL
<b>11.4</b>	Rear most brake chambers must be mounted forward or rotated higher enough to prevent interference with pavers and shoulder boxes.	<b>X</b>		
<b>11.5</b>	Haldex automatic brake adjusters on all axles.	<b>X</b>		
<b>11.6</b>	Bendix Tu Flo 500 air compressor lubricated via the engine lube system.	<b>AE</b>		BENDIXBA-921 15.9CFM
<b>11.7</b>	Dual air brake system.	<b>X</b>		
<b>11.8</b>	Bendix AD-IP air dryer, to include heater.	<b>X</b>		
<b>11.9</b>	Pull drains on each reservoir with the loose end of the cable attached professionally in a location that is easily accessible to the operator.	<b>X</b>		
<b>11.10</b>	Reservoir to have ample road clearance and be of sufficient reserve capacity to support all vehicle air accessories and systems and have capacity to also support a tag-along trailer.	<b>X</b>		
<b>11.11</b>	Semitrailer connections and breakaway valve mounted on the rearmost cross member in such a way as not to interfere with proper placement of lights, pintle hook or license plates.	<b>X</b>		



## Appendix B-3

11.12	Hand control valve (trolley valve) mounted on the steering column to operate the semitrailer.	AE		MOUNTED ON DASH PANEL
11.13	Air horn.	X		
11.14	Air compressor to be dry filtered air inlet.	X		
11.15	Front and rear S cam brakes preferred.	X		
11.16	All brakes require backing plates.	X		
11.17	All brake air lines will be run in the same locations.	X		
	<b>12.0 ELECTRICAL SYSTEM</b>	<b>Abbreviation</b>	<b>Actual Dimension</b>	<b>Notes</b>
12.1	12 volt Leece-Neville 160-amp capacity alternator Model 2800JB/BLD 2309.	X		
12.2	Delco 39 Gear Reduction starter with over crank protection.	X		
12.3	Three (3) 12 volt batteries, 2700 CCA @ 0° F, 104-amp hour capacity, minimum, maintenance free type, to be mounted on frame rail to accommodate and not interfere with mounted snow plow equipment.	X		
12.4	Enclosed battery compartment with proper ventilation to the outside atmosphere.	X		
12.5	All exterior wiring requires salt resistant type in suitable loom or conduit. Waterproof plug type connectors required to be used at all exposed locations. All connections not waterproofed required to be shrink wrapped.	X		
12.6	Manually operated <b>lockable</b> master battery disconnect switch location is <b>not</b> be mounted on the floor or in the environment, preferability in cab where it's readily accessible to operator. The battery	X		

## Appendix B-3

	disconnect switch break on the negative cable side.			
12.7	Sealed battery cable ends, color-coded. (Red + Pos., Black-Neg.).	X		
12.8	Trailer feed circuit to rear of frame requirement includes, combined Trailer Stop, Tail, Turn, Marker Light, Trailer ABS.	X		
12.9	A complete "AS BUILT" wiring schematic manual on CD or Thumb Drive required to be supplied. A sample wiring schematic required to be supplied with the bid proposal.	X		
12.10	All electrical connections are required to be treated with di-electric grease.	DI		NOT RECOMMENDED
12.11	All electrical cable will be run in the same locations on all units.	X		
	<b>13.0 FRAME</b>	<b>Abbreviation</b>	<b>Actual Dimension</b>	<b>Notes</b>
13.1	Single Heavy-Duty Channel Frame Rail powder coated with a minimum of PSI 1,200,000, Section Modulus 21.12, RBM 2,654,400.	AE		PSI 120,000 SM 20.93 RBM 2,511,600 E COAT
13.2	Straight channel frame rail suitable for heavy-duty plow and dump truck service.	X		
13.3	Fish plates not acceptable.	X		
13.4	Frame designed as not to interfere with Spicer crankshaft coupler 2-2-79.	X		
13.5	All heavy-duty gusseted cross members	X		
13.6	Frame extension are required to meet the same standard as truck frame if extensions are required.	X		
	<b>14.0 FUEL SYSTEM</b>	<b>Abbreviation</b>	<b>Actual Dimension</b>	<b>Notes</b>

## Appendix B-3

14.1	Heavy-duty aluminum, minimum 2-inch wide straps with rubber shims/liners must be used.	X		
14.2	Tank <u>must not</u> extend past the rear of the cab.	AE		4"
14.3	Aluminum step type fuel tank with a minimum capacity of 80 gallons.	AE		70 GALLON TO REDUCE CA LOSS
14.4	Non-skid step.	X		
14.5	12" minimum road clearance mandatory.	X		
14.6	Manually operated hand primer pump.	X		
14.7	Fuel lines to be the appropriate flexible type line.	X		
14.8	Tanks are required to be vented in such a manner to prevent fuel spillage if operating on a slope or on level ground with tank full and fuel warm.	X		
	<b>15.0 WHEELS AND TIRES</b>	<b>Abbreviation</b>	<b>Actual Dimension</b>	<b>Notes</b>
15.1	One piece white powder coat painted tubeless heavy load application 10 hole, 285 mm rims, <ul style="list-style-type: none"> <li>• F) 9.0 X 21.5 with 7.0" wheel off set Accuride A29300PW</li> <li>• R) 8.25 X 21.5 with 6.62" wheel off set Accuride A29169PW</li> </ul>	X		
15.2	Wheels, rims and tires shall provide tire chain clearance without use of adapters, spacers, spoke extensions etc., local modifications not acceptable.	X		
15.3	Rear tires shall be the Bridgestone M799 model tread design or approved equal with an approved manufacture, Bridgestone, Michelin, or Continental brand.	X		CONTINENTAL HDC1 – DESCRIPTION IN ATTACHMENTS

## Appendix B-3

15.4	Front tires shall be the Bridgestone M860A model tread design or approved equal with an approved manufacture, Bridgestone, Michelin, or Continental brand.	X		CONTINENTAL HSC1 – SPECS IN ATTCHMTS
15.5	Front 315/80R 21.5 LRL radial tubeless tire (L ply rating).	X		
15.6	Rear 11R X 21.5 LRH radial tubeless tire with it (H ply rating).	X		
15.7	13.5" Dual wheel spacing required.	X		
15.8	Liquid tire balancer KTB tire treatment (U.S. EPA approved).	DI		
15.9	Heavy-duty 5 hand hole hub piloted wheel system.	X		
15.10	Lead wheel weight will not be accepted.	X		
15.11	Each unit delivered with one mounted spare front tire and one mounted spare rear tire. Tires required to have the liquid balancer installed.	X		
<b>16.0 COOLING SYSTEM</b>		<b>Abbreviation</b>	<b>Actual Dimension</b>	<b>Notes</b>
16.1	Radiator and mounts shall be designed and installed so as not to interfere with Spicer crankshaft coupler 2-2-79.	X		
16.2	Space shall be provided under or through radiator to mount crankshaft driven hydraulic pump.	X		
16.3	Non-silicone type radiator and coolant lines.	X		
16.4	Radiator core and tanks to be of heavy-duty design and construction.	X		
16.5	Ample capacity for continuous high engine output under extreme temperatures and/or operating conditions.	X		

## Appendix B-3

16.6	Heavy-duty mounting brackets and hardware.	X		
16.7	Two-stage fan clutch.	X		
16.8	Coolant shall be Extended Life rated for -35 degrees upon delivery to MaineDOT Fleet Services.	X		
	<b>17.0 EXHAUST</b>	<b>Abbreviation</b>	<b>Actual Dimension</b>	<b>Notes</b>
17.1	Vertical exhaust designed and installed so as not to interfere with any customer installed accessories (i.e. snow plows, hydraulic tanks, etc.).	X		
17.2	Exhaust deflector elbow	X		
17.3	Heavy-duty mounting brackets, elbows, piping and expansion joints.	X		
17.4	Aluminized horizontal muffler.	AE		STAINLESS STEEL
17.5	Exhaust System design to keep noise to lowest practical level in accordance with Federal Regulations.	X		
	<b>18.0 FILTERS</b>	<b>Abbreviation</b>	<b>Actual Dimension</b>	<b>Notes</b>
18.1	Heavy-duty dry type air filter	X		
18.2	Operator's controlled snow valve for drawing air directly under engine hood is mandatory to prevent snow from clogging air filter. A seasonal two-way air inlet control valve is mandatory. Factory installed and clearly marked for use.	X		
18.3	All filters to be mounted to facilitate ease of servicing.	X		
18.4	Disposable spin on type oil and fuel filters.	AE		CARTRIDGE TYPE

## Appendix B-3

18.5	Local filter installations or modifications are not acceptable.	X		
18.6	Fuel filter on the inlet or suction side of the injection pump <u>required</u> .	X		
	<b>19.0 CAB</b>	<b>Abbreviation</b>	<b>Actual Dimension</b>	<b>Notes</b>
19.1	To accommodate the controls and provide acceptable operator ergonomics and comfort it is imperative that the truck cabs provide as much clear interior space as possible. The cab width must be a minimum of 70" interior door to interior door while the dash board, heater and other appurtenances must not diminish interior clear space for the installation of controls, radios, etc. The chassis is to be the heaviest duty available with all possible options to make it a heavy-duty vehicle.	X		
19.2	Ergonomic integrated dash, minimum of fourteen (14) (factory installed) in ergonomic dash, low amperage switches with LED lighting. Three (3) colored LED lighted indicators controllable by means of relays. Circuit must support 20 amps, controlled by a Module, installed inside cab to allow MDOT easy component wiring installation. All switches to be professionally labeled using factory laser cut plastic inserts.	X		
19.3	Standard BBC dimension approximately 112".	X		
19.4	Hood and fender to be of one piece design, tilt forward type with factory installed side access panels to provide safe, easy, complete access to the engine compartment for daily service (including coolant check) and periodic maintenance with full plow gear (including wing and post) installed. NOTE: Plow gear will not be moved or modified to accommodate hood opening.	X		

## Appendix B-3

19.5	Hood fenders must be designed to be no lower than the bottom of fuel tank and be secured tightly to prevent sailing. If need wind sail brackets are acceptable.	X		
19.6	Tilt and telescoping steering wheel.	X		
19.7	All marker lights to be LED type.	X		
19.8	Dome light required to have independent switch and not interfere with departments two-way radio.	X		
19.9	Cab heater to be highest capacity available.	X		
19.10	Automatic low oil pressure/high temperature warning system wired in such a way as not to be easily accessible to the operator and be operational only when ignition switch is on.	X		
19.11	Heavy-duty 2-speed minimum, electrically operated windshield wipers with time delay.	X		
19.12	Dual sun visors.	X		
19.13	Dual outside mirrors to be no less than 16" x 7" with integrated convex mirrors on both sides with marker light. All mirrors to be 4-way electronically adjustable and heated.	AE		14.1X7.55 FLAT GLASS 7.48X6.77 CONVEX
19.14	Exterior cab grab handle driver side.	X		
19.15	Exterior cab grab handle, passenger side.	DI		
19.16	Seat belt webbing to be a highly visible, bright orange in color.	X		
19.17	Driver's seat is required to be a premium high back cloth covered seat which will incorporate the following features/options: <ul style="list-style-type: none"> <li>a. adjustable dampening of the shock absorber</li> <li>b. wide seat cushion</li> <li>c. air controlled triple lumbar support</li> <li>d. front and rear seat cushion</li> </ul>	X		

## Appendix B-3

	adjustment e. fore/aft seat track adjustment f. adjustable reclining backrest g. air adjustable back rest bolsters h. air adjustable seat cushion bolsters i. dual folding seat armrests j. five (5)-year warranty seat			
<b>19.18</b>	The passenger seat is required to be a deluxe or premium air-suspension seat with adjustable reclining backrest and lumbar support.	<b>X</b>		
<b>19.19</b>	Instruments to include but not limited to: Oil pressure gauge, Water temperature gauge, Fuel gauge, Brake warning lights, low air pressure light and alarm, voltmeter, Tachometer, air pressure gauge, Air filter restriction gauge and all gauges to be properly marked and illuminated. (Transmission temp gauge with Automatic).	<b>X</b>		
<b>19.20</b>	Windshield constructed with tinted glass.	<b>X</b>		
<b>19.21</b>	Full coverage insulated floor mat.	<b>X</b>		
<b>19.22</b>	All pedals are to be suspended off floor.	<b>X</b>		
<b>19.23</b>	Heavy-duty insulated closed cab construction. Cab insulation rating required with bid.	<b>X</b>		US FMCSA TITLE 49
<b>19.24</b>	Stationary grill is highly preferred to increase engine accessibility when plow hardware is attached.	<b>X</b>		
<b>19.25</b>	12 Volt power port outlet and USB port.	<b>X</b>		
<b>19.26</b>	Back-up alarm	<b>X</b>		
<b>19.27</b>	All vehicles to be keyed alike and supplied with 2 keys.	<b>X</b>		
<b>19.28</b>	Fresh air intake for heater/defroster required to be protected or designed and installed to	<b>X</b>		



## Appendix B-3

	prevent entrance of sand/salt.			
<b>19.29</b>	Radiator grill openings to be of such size and design to protect radiator core from road debris of approximately 5/8" diameter.	<b>X</b>		
<b>19.30</b>	AM-FM radio with Bluetooth	<b>X</b>		
<b>19.31</b>	Suitable heavy-duty full width front bumper required to be supplied on vehicle.	<b>X</b>		
<b>19.32</b>	Conventional cab - expanded, modified or bubble roof unacceptable.	<b>X</b>		
<b>19.33</b>	Daytime running headlights.	<b>X</b>		
<b>19.34</b>	Sealed beam headlights of halogen type.	<b>X</b>		
<b>19.35</b>	Air conditioning.	<b>X</b>		
<b>19.36</b>	Cruise control	<b>X</b>		
	<b>20.0 PAINT</b>	<b>Abbreviation</b>	<b>Actual Dimension</b>	<b>Notes</b>
<b>20.1</b>	Base coat clear coat paint.	<b>X</b>		
<b>20.2</b>	Color True Blue Metallic Dupont #M6620	<b>X</b>		
<b>20.3</b>	Chassis frame semi-gloss black enamel.	<b>X</b>		
<b>20.4</b>	Wheels white powder coated.	<b>X</b>		
<b>20.5</b>	Cab interior Gray.	<b>X</b>		
	<b>21.0 WHEELBASE AND CA</b>	<b>Abbreviation</b>	<b>Actual Dimension</b>	<b>Notes</b>
<b>21.1</b>	Wheelbase to be approximately 218".	<b>X</b>		
<b>21.2</b>	CA to be approximately 132" with CE of approximately 197" minimum.	<b>X</b>		
<b>21.3</b>	The CA dimension will allow the rear of the body (without an apron) to be within 6" of the most rearward circumference point of the	<b>X</b>		

## Appendix B-3

	rear tandem tires.			
21.4	WB & CA is required to accommodate a 12-cubic yard body and hoist and a rear tower hydraulic assembly for a wing plow.	X		
21.5	AF dimension requires a minimum 12' of frame to extend past rear tires to facilitate mounting of the dump body.	X		
21.6	Clean, unobstructed CA to facilitate the mounting of plow equipment and body.	X		
	<b>22.0 EMISSIONS</b>	<b>Abbreviation</b>	<b>Actual Dimension</b>	<b>Notes</b>
22.1	A certification that states each new truck is equipped with a heavy-duty diesel engine (HDDE) that complies with, the New Motor Vehicle Emission Standards issued by the Maine Department of Environmental Protection in, the Code of Maine Rules (06-096 CMR Chapter 127).	X		
	<b>23.0 PROGRAMMING</b>	<b>Abbreviation</b>	<b>Actual Dimension</b>	<b>Notes</b>
23.1	No engine idle time shall accumulate when combination of "engine is running, parking brakes are released and the transmission is in gear and over 2 mph".	X		
23.2	Parking brake alarm, Electric horn sounds repeatedly when parking brake is not engaged with ignition off and driver's door open.	X		
23.3	All switches and indicators must be configured and labeled per MaineDOT specifications.	X		
23.4	Onboard dash diagnostic	X		
23.5	Brake lights work in conjunction with engine brake.	X		
23.6	Cruise control to be set as low as possible	X		

## Appendix B-3

	(max 25 mph).			
<b>23.7</b>	Top speed to be set at 75 mph.	<b>X</b>		
<b>23.8</b>	PTO speed set at 1200 rpm.	<b>X</b>		
<b>23.9</b>	Record and view MPG at the Dash Cluster.	<b>X</b>		
<b>23.10</b>	Windshield wipers to be automatically forced to slowest intermittent speed when the parking brake is set and wipers left on for a predetermined time.	<b>X</b>		
	<b>24.0 WARRANTY</b>	<b>Abbreviation</b>	<b>Actual Dimension</b>	<b>Notes</b>
<b>24.1</b>	Terms and conditions of warranty to be provided with bid proposal (Warranty must be clearly defined and all components covered must be clearly listed and identified).	<b>X</b>		
<b>24.2</b>	In-Service Date: Warranty on vehicles (not placed in service immediately because of time lag due to installation of plow components, special equipment, seasonal usage or other delays) to be warranted from the date the vehicle is the actual placed in service. MDOT Fleet Services Augusta will notify the vendor in writing of "in service" date.	<b>X</b>		
<b>24.3</b>	During the term of the manufacturer's warranty Fleet Services reserves the right to perform any and all warranty "in house" to meet operational needs or demand with the exception of major engine, transmission and rear axle rebuild or repair unless pre-authorization by vendor. Fleet Services will recover all parts and labor cost as allowed by manufacturer's flat rate manual OEM parts may be supplied at no cost by the manufacturer, dealer or may be purchased by Fleet Services on the open market to meet operational demand. Any and all defective parts will be returned to the manufacturer or	<b>X</b>		

## Appendix B-3

	dealer upon request.			
	<b>25.0 MANUALS</b>	<b>Abbreviation</b>	<b>Actual Dimension</b>	<b>Notes</b>
<b>25.1</b>	One (1) operator's manual per unit.	<b>X</b>		
<b>25.2</b>	Ten (10) Shop equipment repair manuals, CDs or Thumb Drive	<b>X</b>		
<b>25.3</b>	Ten (10) Engine shop manuals, CD or Thumb Drive	<b>X</b>		
<b>25.4</b>	Ten (10) Equipment parts manuals, CDs or Thumb Drive	<b>X</b>		
<b>25.5</b>	Ten (10) Engine parts manuals, CDs or Thumb Drive	<b>X</b>		
	<b>26.0 TRAINING</b>	<b>Abbreviation</b>	<b>Actual Dimension</b>	<b>Notes</b>
<b>26.1</b>	All manufacturer's training programs being offered, shall be defined in detail and a writing proposal of what those programs will entail and submitted with bid packet.	<b>X</b>		
<b>26.2</b>	Training for Operation and Maintenance personnel to be performed by a factory certified trainers only. To include a minimum of 4 hours of training to take place within the 5 MaineDOT Regions within the State. This Training may be videotaped by MaineDOT for future use by MaineDOT trainers.	<b>X</b>		
<b>26.3</b>	Any applicable training material, (i.e., video tapes, manuals, CD, etc.) which is available for the components, systems or equipment, etc. is required to be supplied by the vendor, manufacturer, or dealer to MaineDOT with written permission for MaineDOT to duplicate such at will for in-house usage/training.	<b>X</b>		
	<b>27.0 GENERAL</b>	<b>Abbreviation</b>	<b>Actual Dimension</b>	<b>Notes</b>

## Appendix B-3

27.1	All manuals, CDs or Thumb Drives should be delivered prior to acceptance of the final chassis.	X		
27.2	Chassis to be completely serviced, tuned up, wheels balanced (front) and steering geometer. Documentation of such service is required to be provided pertaining to each vehicle upon delivery.	X		
27.3	Vehicles offered are required to comply with all applicable Federal and State of Maine Regulations. Certified GVWR is required to be furnished.	X		
27.4	It is the responsibility of the chassis manufacturer to provide or reposition components to provide "clear frame" for installation of accessories or accessory equipment.	X		
27.5	The CA, WB and placement of the body etc. cannot cause the summer loaded vehicle to exceed the gross axle weight for special commodities as specified in Title 29-A, Section 2357, 2, A. or B. as appropriate.	X		
	<b>28.0 SERVICES</b>	<b>Abbreviation</b>	<b>Actual Dimension</b>	<b>Notes</b>
28.1	MaineDOT's objective is to have the vendor provide warranty and service at facilities that are as close as possible to localities where the trucks will be used. To that end, MaineDOT desires that the vendors will have warranty and service facilities located within 75 miles of each division headquarters, Scarborough, Augusta, Dixfield, Bangor and Caribou.	X		DESCRIBED IN ATTACHMENT 28.1
28.2	Vendors are required to provide a list of bidder service center locations.	X		ATTACHMENT 28.1
28.3	Bidders are required to supply a written explanation describing such things as the locations of the facilities, the times the facilities will be available for use,	X		ATTACHMENT 28.1

## Appendix B-3

	qualifications of the staff at the facilities and how the vendor will provide warranty and service at these service facilities. (Explain in a written document submitted with the proposal).			
	<b>29.0 GENERAL OPTIONS</b> <b>The following items shall be listed and priced separately</b>	<b>Price</b> <b>List all available packages</b>		<b>Notes</b>
<b>29.1</b>	Extended Engine Warranty (Warranty coverage and time frame is to be clearly defined and all components covered to be clearly listed and identified).	\$ 2500/60 months/100,000 \$ 4600/72 months/250,000 \$ 5800/84 months/150,000		Engine and after treatment
<b>29.2</b>	Extended Warranty Tow packet (Warranty coverage, time frame and additional cost to MDOT to be clearly laid out and described).	\$ 490/ 36 months \$ 560/48 months \$ 660/60 months		Maximum \$275/tow
<b>29.3</b>	Vendor is to be (100%) responsible for all transportation costs during standard 12-month warranty period if vehicle is non-drivable.	x		
	<b>30.0 AUTOMATIC TRANSMISSION OPTIONS PRICING</b>	<b>Price</b>		<b>Notes</b>
<b>30.1</b>	Allison 4500 Automatic with PTO provision	\$ 13,814		
<b>30.2</b>	I-Shift Automatic with PTO provision	\$ NA		
<b>30.3</b>	Eaton UltraShift <i>PLUS</i> with PTO provision	\$ 8980		
<b>30.4</b>	Dash or OEM Console mounted push button shift selector.	AE		STEERING COLUMN MOUNTED
<b>30.5</b>	Temp Gauge	X		
<b>30.6</b>	Automatic transmission with the capability of programing it for plow mode.	X		
	<b>31.0 OPTIONS</b>	<b>Abbreviation</b>	<b>Actual Dimension</b>	<b>Notes</b>

## Appendix B-3

	<b>REAR AXLE</b>		
<b>31.1</b>	Locking differential, where all 4 axles are locked. Pricing information required with bid.	\$ 880	
	<b>CAB</b>		
<b>31.2</b>	Factory or a factory outfitter's facility installed Dual, Left or Right Driver Controlled Auxiliary Air Bags (double wing vehicles) shall have individual switches to control each air bag. Air bag pricing information required with bid.	<b>Dual Airbags</b> \$ 1540  <b>Left or Right Airbag</b> \$ 770	
<b>31.3</b>	Multiplex wiring	X	
<b>31.4</b>	Power windows, controlled at each door for easy accessibility for both driver and passenger.	X	
<b>31.5</b>	Power door locks for both doors controlled at driver's door or at dash panel.	X	
<b>31.6</b>	Heated windshield Pricing information required with bid.	\$ 632	
	<b>PROGRAMMING</b>		
<b>31.7</b>	All doors must unlock when driver's door is open.	X	
<b>31.8</b>	All doors required to lock once truck reaches 5 mph.	X	
<b>31.9</b>	Pre-trip exterior light inspection switch-Engaging light inspection switch will sequentially flash all exterior lights.	X	
	<b>MANUALS</b>		
<b>31.10</b>	MaineDOT shall have free accessibility to manufacturer's web based Service Information program for a period of not less than 5 years. In this program, Fleet, shall have access to all vehicle information by using vehicle VIN#. This program shall include; Parts and Operators manuals, all warranty information, complete troubleshooting & diagnostic and wiring	X	

## Appendix B-3

	diagrams manuals for the engine and truck chassis. VIN specific "as built" components. (Programs being offered must be provided with bid packet, access code must be provided in bid for MaineDOT to review programs.)			
<b>31.11</b>	Provide ten (10) interface USB-Link Drivers and cables that are compatible to vehicle and laptop. Pricing information required with bid.	<b>\$ 756/UNIT</b>		
<b>31.12</b>	Provide ten (10) of the latest version of vehicle interface diagnostic software programs subscriptions that diagnose Engine, Chassis, Transmission, ABS, instrument panels and other electronic functions. The program must support wired or wireless connectivity. Pricing information required with bid.	<b>\$ NO CHARGE</b>		
<b>31.13</b>	Over a 5 year period, the vendor shall provide MaineDOT ten (10) subscriptions of the latest version of vehicle interface diagnostic software. Also, the USB-Link Drivers and Cables if the new version requires USB-Link Drivers and Cables to be update. Pricing information required with bid.	<b>\$ NO CHARGE</b>		
	<b>TRAINING</b>			
<b>31.14</b>	Training for the Fleet Services Technicians will be performed at each two (2) MaineDOT Fleet Services maintenance facilities. Technician training, will include but not limited to the following: trouble shooting, and test procedures for Electrical System, Drive Train, Engine and Transmission Electronics Training and is required to take place on the 11 <sup>th</sup> month from the vehicle in-service date, prior to the expiration date of the vehicle warranty (unless a conflict of scheduling arises in which case the proposed training dates may need to be extended).	<b>\$ 2200/DAY, MINIMUM 4 DAYS=\$8800/ TRAINING. CONDUCTED BY FACTORY CERTIFIED</b>		



## Appendix B-3

	<b><u>Training Requirements</u></b>	<b># of Hours</b>	<b># of Technicians</b>		
	Engine	16	Up to 15		
	Electrical System	16	Up to 15		
	Transmission	8	Up to 15		
	Heater/HVAC	8	Up to 15		
	<b>Pricing information required with bid.</b>				
<b>31.15</b>	Any and all training is required to be performed by a factory certified trainer and not by sales personnel.			<b>X</b>	
<b>31.16</b>	MaineDOT Fleet Services will require a refresher/follow-up training on Engine, Electrical, Transmission and HVAC systems on 11 <sup>th</sup> month of the second year from the vehicle in-service date. Pricing information required with bid.			<b>\$ 2200/DAY MINIMUM 4 DAYS</b>	
	<b>GENERAL OPTIONS</b>				
<b>31.17</b>	MaineDOT hourly rate for service or repairs at awarded Bidder's facility. Pricing information required with bid.			<b>\$ 98/HR</b>	

**BID SUBMISSION REQUIREMENTS:**

In addition to required information as exhibited in the specifications, the Bidder shall also provide:

- Warranty and extended warranty data for chassis, cab, and all sub-components.
- Specifications on the proposed Engine, Transmission, and Chassis.
- A computer analysis of the proposed engine, transmission, rear end combination which is being offered must be provided with bid returns.
- Failure to supply the required documentation may render the bid non-responsive.

**Prior to any vehicles being accepted by, and any partial payment being made by MaineDOT/Fleet Services, all vehicles will be inspected for compliance to these Technical specifications. The inspections will be performed by MaineDOT/Fleet Services or their designated representative.**

**INTERNATIONAL®****November 01, 2018**

**Prepared For:**  
 MAINE DOT  
 Dan Rolfe  
 66 Industrial Dr.  
 Augusta, ME 04330-7857  
 (207)287 - 3521  
 Reference ID: N/A

**Presented By:**  
 DAIGLE & HOUGHTON INC  
 Gary Daigle  
 130 MARKET STREET  
 FORT KENT ME 04743 -  
 (207)834-6186

Thank you for the opportunity to provide you with the following quotation on a new International truck. I am sure the following detailed specification will meet your operational requirements, and I look forward to serving your business needs.

**Model Profile**  
**2020 HV513 SFA (HV513)**

<b>AXLE CONFIG:</b>	6X4
<b>APPLICATION:</b>	Front Plow and Underbelly Scraper with Spreader
<b>MISSION:</b>	Requested GVWR: 56000. Calc. GVWR: 0 Calc. Start / Grade Ability: 57.50% / 2.99% @ 55 MPH Calc. Geared Speed: 77.6 MPH
<b>DIMENSION:</b>	Wheelbase: 219.00, CA: 135.50, Axle to Frame: 75.00
<b>ENGINE, DIESEL:</b>	{International A26} EPA 2017, 410HP @ 1700 RPM, 1450 lb-ft Torque @ 1000 RPM, 2100 RPM Governed Speed, 410 Peak HP (Max)
<b>TRANSMISSION, MANUAL:</b>	{Fuller RTO(F)-16909ALL} 11-Speed Manual, with Overdrive and Double-Lo, with Lube Oil Pump, with Air Shift
<b>CLUTCH:</b>	{Eaton Fuller Easy-Pedal Advantage} Manual Adjust, Two-Plate, Cast Angle Spring, Ceramic, 15.5" Diameter, 7-Spring with Pre-Damper (Soft Rate) Mechanical Pull-Type Control, 4-Button Disc, 1750 lb-ft Torque Capacity
<b>AXLE, FRONT NON-DRIVING:</b>	{Meritor MFS-20-133A} Wide Track, I-Beam Type, 20,000-lb Capacity
<b>AXLE, REAR, TANDEM:</b>	{Meritor RT-46-160P} Single Reduction, 46,000-lb Capacity, with Lube Oil Pump, 200 Wheel Ends Gear Ratio: 4.56
<b>CAB:</b>	Conventional
<b>TIRE, FRONT:</b>	(3) 315/80R22.5 Load Range L HSC1 (CONTINENTAL), 484 rev/mile, 68 MPH, All-Position
<b>TIRE, REAR:</b>	(8) 11R22.5 Load Range H HDC1 (CONTINENTAL), 488 rev/mile, 75 MPH, Drive
<b>SUSPENSION, REAR, TANDEM:</b>	{Hendrickson HMX-460-54} Walking Beam, 46,000-lb Capacity, 54" Axle Spacing, Rubber Springs, with Transverse Torque Rods, Rubber End Bushings
<b>PAINT:</b>	Cab schematic 100WM Location 1: 6M24, Blue (Custom) Chassis schematic N/A

**INTERNATIONAL®****Vehicle Specifications  
2020 HV513 SFA (HV513)****November 01, 2018**

<u>Description</u>	<u>F/R Wt</u> (lbs)	<u>Tot Wt</u> (lbs)
Base Chassis, Model HV513 SFA with 219.00 Wheelbase, 135.50 CA, and 75.00 Axle to Frame.	7997/4333	12330
AXLE CONFIGURATION {Navistar} 6x4	0/0	0
<u>Includes</u>		
: DRIVESHAFT 1810 Series Transmission to Rear Axle		
: INNER-AXLE SHAFT 1710 Series Forward Rear Axle to Rear Rear Axle		
<u>Notes</u>		
: Pricing may change if axle configuration is changed.		
FRAME RAILS Heat Treated Alloy Steel (120,000 PSI Yield); 10.866" x 3.622" x 0.433" (276.0mm x 92.0mm x 11.1mm); 456.0" (11582mm) Maximum OAL	194/473	667
BUMPER, FRONT Steel, Swept Back	0/0	0
FRAME EXTENSION, FRONT Integral; 20" In Front of Grille	138/-33	105
CROSSMEMBER, INTERMEDIATE (1) 5-Piece ilo Each Single Dogbone with 4x2, 4x4 Chassis and Each Double Dogbone with 6x4, 6x6 and 8x6 Tridem Chassis	27/23	50
CROSSMEMBER, SUSPENSION (2) 5-Piece Steel Replacing (2) Double Dogbone, Forward and Rear	-2/123	121
WHEELBASE RANGE 199" (505cm) Through and Including 264" (670cm)	0/0	0
AXLE, FRONT NON-DRIVING {Meritor MFS-20-133A} Wide Track, I-Beam Type, 20,000-lb Capacity	186/0	186
AXLE, FRONT DRIVING, LUBE {EmGard FE-75W-90} Synthetic Oil; 30 thru 39.99 Pints	0/0	0
SHOCK ABSORBERS, FRONT	47/0	47
BRAKE SYSTEM, AIR Dual System for Straight Truck Applications	0/0	0
BRAKES, FRONT, AIR CAM 16.5" x 6", Includes 24 SqIn Long Stroke Brake Chambers	26/0	26
TRAILER CONNECTIONS Four-Wheel, with Hand Control Valve and Tractor Protection Valve, for Straight Truck	0/0	0
DRAIN VALVE {Berg} with Pull Chain, for Air Tank	0/0	0
AIR BRAKE ABS {Bendix AntiLock Brake System} Full Vehicle Wheel Control System (4-Channel)	0/0	0
AIR DRYER {Bendix AD-IP} with Heater	22/3	25
BRAKE CHAMBERS, FRONT AXLE {Bendix} 24 SqIn	18/0	18
BRAKE CHAMBERS, REAR AXLE {Haldex Life Seal+} 30/30 Spring Brake	0/0	0
SLACK ADJUSTERS, FRONT {Haldex} Automatic	0/0	0
SLACK ADJUSTERS, REAR {Haldex} Automatic	0/0	0
BRAKES, REAR, AIR CAM S-Cam; 16.5" x 7.0"; Includes 30/30 Sq.In. Long Stroke Brake Chamber and Spring Actuated Parking Brake	0/52	52
AIR COMPRESSOR {Bendix BA-921 Head Unload} 15.9 CFM Capacity, Single Cylinder	0/0	0
AIR DRYER LOCATION Mounted to Outside Left Rail on Fuel Water Separator Bracket	0/0	0
DUST SHIELDS, FRONT BRAKE for Air Brakes	5/0	5
DUST SHIELDS, REAR BRAKE for Air Brakes	0/12	12
BRAKE CHAMBERS, SPRING on Rear/Rear Axle Located Inside Rear Tire Envelope (Meets Asphalt Spreader/Paver Clearance Requirements)	0/0	0
AIR TANK LOCATION (2) : One Mounted Under Each Frame Rail, Front of Rear Suspension, Parallel to Rail	0/0	0

**INTERNATIONAL®****Vehicle Specifications  
2020 HV513 SFA (HV513)****November 01, 2018**

<u>Description</u>	<u>F/R Wt</u> (lbs)	<u>Tot Wt</u> (lbs)
STEERING COLUMN Tilting and Telescoping	16/3	19
STEERING WHEEL 4-Spoke; 18" Dia., Black	0/0	0
STEERING GEAR (2) {Sheppard M100/M80} Dual Power	119/0	119
DRIVESHAFT SYSTEM SPL250XL Driveshaft and SPL170XL Interaxle Shaft in lieu of 1810 Driveshaft and 1710 Interaxle Shaft	0/0	0
AFTERTREATMENT COVER Steel, Black	0/0	0
EXHAUST SYSTEM Single Horizontal Aftertreatment Device, Frame Mounted Right Side Under Cab; for Single Vertical Tail Pipe, Frame Mounted Right Side Back of Cab	32/45	77
ENGINE COMPRESSION BRAKE by Jacobs; for N13/A26 Engines, with Selector Switch and On/Off Switch	48/1	49
TAIL PIPE (1) Turnback Type, Non-Bright, for Single Exhaust	0/0	0
EXHAUST HEIGHT 10' 11"	2/0	2
MUFFLER/TAIL PIPE GUARD (1) Non-Bright Aluminum	0/0	0
SWITCH, FOR EXHAUST 3 Position, Momentary, Lighted Momentary, ON/CANCEL, Center Stable, INHIBIT REGEN, Mounted in IP Inhibits Diesel Particulate Filter Regeneration When Switch is Moved to ON While Engine is Running, Resets When Ignition is Turned OFF	0/0	0
ELECTRICAL SYSTEM 12-Volt, Standard Equipment	0/0	0
CIGAR LIGHTER Includes Ash Cup	0/0	0
BATTERY TERMINALS Sealed	2/0	2
ALTERNATOR {Leece-Neville AV160P2013} Brush Type; 12 Volt 160 Amp. Capacity, Pad Mount	0/0	0
BODY BUILDER WIRING Back of Standard or Sleeper Cab at Left Frame or Under Extended or Crew Cab at Left Frame; Includes Sealed Connectors for Tail/Amber Turn/Marker/ Backup/Accessory Power/Ground and Sealed Connector for Stop/Turn	2/0	2
ELECTRIC TRAILER BRAKE/LIGHTS Accommodation Package to Rear of Frame; for Combined Trailer Stop, Tail, Turn, Marker Light Circuits; Includes Electric Trailer Brake Accommodation Package with Cab Connections for Mounting Customer Installed Electric Brake Unit, Less Trailer Socket	0/2	2
BATTERY SYSTEM {Fleetrite} Maintenance-Free, (3) 12-Volt 2850CCA Total	10/11	21
RADIO AM/FM/WB/Clock/Bluetooth/USB Input/3.5MM Auxiliary Input, MP3, Apple Device Play & Control, Bluetooth for Phone & Music	2/0	2
SPEAKERS (2) 6.5" Dual Cone Mounted in Both Doors, (2) 5.25" Dual Cone Mounted in Both B-Pillars	7/1	8
BACK-UP ALARM Electric, 102 dBA	0/3	3
AUXILIARY HARNESS 3.0' for Auxiliary Front Head Lights and Turn Signals for Front Plow Applications	2/0	2
TRAILER AUXILIARY FEED CIRCUIT for Electric Trailer Brake Accommodation/Air Trailer ABS; with 30 Amp Fuse and Relay, Controlled by Ignition Switch	1/0	1
STOP, TURN, TAIL & B/U LIGHTS {Weldon} LED Multi-Function Lamp, Mounted Outside Rails, Includes License Plate Light	-3/14	11
HORN, ELECTRIC Disc Style	0/0	0
STOP-LIGHT WIRING MODIFIED Stop-Lights Turned on When Engine Compression Brake, Exhaust Brake or Retarder is Activated	0/0	0
BATTERY BOX Aluminum with Plastic Cover, 18" Wide, 2, 3, or 4 Battery Capacity, Mounted Left Side Back of Cab	-10/-12	-22

**INTERNATIONAL®****Vehicle Specifications**  
**2020 HV513 SFA (HV513)****November 01, 2018**

<b><u>Description</u></b>	<b><u>F/R Wt</u></b> (lbs)	<b><u>Tot Wt</u></b> (lbs)
WINDSHIELD WIPER SPD CONTROL Force Wipers to Slowest Intermittent Speed When Park Brake Set and Wipers Left on for a Predetermined Time	0/0	0
SWITCH, TOGGLE, FOR WORK LIGHT Lighted; on Instrument Panel and Wiring Effects for Customer Furnished Back of Cab Light	2/1	3
RUNNING LIGHT (2) Daytime	1/0	1
CLEARANCE/MARKER LIGHTS (5) {Truck Lite} Amber LED Lights, Flush Mounted on Cab or Sunshade	0/0	0
TEST EXTERIOR LIGHTS Pre-Trip Inspection will Cycle all Exterior Lamps Except Back-up Lights	0/0	0
STARTING MOTOR {Delco Remy 39MT} 12 Volt; Gear Reduced, with Thermal Over-Crank Protection	0/0	0
ALARM, PARKING BRAKE Electric Horn Sounds in Repetitive Manner When Vehicle Park Brake is "NOT" Set, with Ignition "OFF" and any Door Opened	0/0	0
CIRCUIT BREAKERS Manual-Reset (Main Panel) SAE Type III with Trip Indicators, Replaces All Fuses	0/0	0
TURN SIGNALS, FRONT Includes LED Side Turn Lights Mounted on Fender	0/0	0
HORN, AIR Black, Single Trumpet, with Lanyard Pull Cord	0/0	0
POWER SOURCE, ADDITIONAL Auxiliary Power Output (APO) & USB Port, Located in the Instrument Panel	0/0	0
FENDER EXTENSIONS Rubber	0/0	0
LOGOS EXTERIOR Model Badges	0/0	0
LOGOS EXTERIOR, ENGINE Badges	0/0	0
HOOD, HATCH (01) for Servicing	5/0	5
GRILLE Stationary, Chrome	0/0	0
INSULATION, SPLASH PANELS for Sound Abatement	3/0	3
BUG SCREEN Mounted Behind Grille	5/0	5
FRONT END Tilting, Fiberglass, with Three Piece Construction Includes Long Hood	0/0	0
PAINT SCHEMATIC, PT-1 Single Color, Design 100	0/0	0
<b><u>Includes</u></b>		
: PAINT SCHEMATIC ID LETTERS "WM"		
PAINT TYPE Base Coat/Clear Coat, 1-2 Tone	0/0	0
PAINT CLASS Single Custom Color	0/0	0
LABEL, DEF "DEF ONLY"	0/0	0
PROMOTIONAL PACKAGE Government Silver Package	0/0	0
KEYS - ALL ALIKE, ADDITIONAL 2 Keys	0/0	0
KEYS - ALL ALIKE, ID I-1624 Compatible with Z-250	0/0	0
CLUTCH {Eaton Fuller Easy-Pedal Advantage} Manual Adjust, Two-Plate, Cast Angle Spring; Ceramic, 15.5" Diameter, 7-Spring with Pre-Damper (Soft Rate) Mechanical Pull-Type Control, 4-Button Disc, 1750 lb-ft Torque Capacity	0/0	0
GREASE FITTINGS Remote; for Clutch Cross Shaft	0/0	0
ANTI-FREEZE Red, Extended Life Coolant; To -40 Degrees F/ -40 Degrees C, Freeze Protection	0/0	0

**INTERNATIONAL®****Vehicle Specifications**  
**2020 HV513 SFA (HV513)****November 01, 2018**

<b><u>Description</u></b>	<b><u>F/R Wt</u></b> (lbs)	<b><u>Tot Wt</u></b> (lbs)
PTO EFFECTS, ENGINE FRONT for N13/A26 Engines, Less PTO, Unit, Includes Adapter Plate on Engine Front Mounted	0/0	0
ENGINE, DIESEL {International A26} EPA 2017, 410HP @ 1700 RPM, 1450 lb-ft Torque @ 1000 RPM, 2100 RPM Governed Speed, 410 Peak HP (Max)	0/0	0
FAN DRIVE {Horton Drivemaster} Direct Drive Type, Two Speed with Residual Torque Device for Disengaged Fan Speed	0/0	0
AIR CLEANER Dual Element, with Integral Snow Valve and In-Cab Control	6/0	6
FEDERAL EMISSIONS {International A26} EPA, OBD and GHG Certified for Calendar Year 2018	0/0	0
ACCESSORY WIRING, SPECIAL for Road Speed Wire Coiled Under Instrument Panel for Customer Use	0/0	0
HOSE CLAMPS, RADIATOR HOSES , Mechanical Type; with Constant-Tension Functionality	0/0	0
OIL PAN Stainless Steel, for N13/A26 Engines	53/3	56
FAN DRIVE SPECIAL EFFECTS Fan Cooling Ring with Fan Shroud Effects, Engine Mounted	0/0	0
COOLANT FILTER for A26 Engines	7/0	7
EMISSION COMPLIANCE Low NOx Idle Engine, Complies with California Clean Air Regulations; Includes "Certified Clean Idle" Decal located on Driver Door	0/0	0
RADIATOR Aluminum; Welded, Front to Back CrossFlow System, 1292 SqIn, 1008 SqIn CAC	0/0	0
BLOCK HEATER, ENGINE {Phillips} 120V/1150W	0/0	0
TRANSMISSION, MANUAL {Fuller RTO(F)-16909ALL} 11-Speed Manual, with Overdrive and Double-Lo, with Lube Oil Pump, with Air Shift	177/83	260
OIL COOLER MANUAL TRANSMISSION Water to Oil Type Included in Radiator End Tank (REQUIRES TRANSMISSION LUBE PUMP)	0/0	0
TRANSMISSION OIL {EmGard 40W} Synthetic; 22 thru 33.99 Pints	0/0	0
PTO LOCATION Bottom of Transmission	0/0	0
AXLE, REAR, TANDEM {Meritor RT-46-160P} Single Reduction, 46,000-lb Capacity, with Lube Oil Pump, 200 Wheel Ends . Gear Ratio: 4.56	0/2381	2381
SUSPENSION, REAR, TANDEM {Hendrickson HMX-460-54} Walking Beam, 46,000-lb Capacity, 54" Axle Spacing, Rubber Springs, with Transverse Torque Rods, Rubber End Bushings	0/500	500
SUSPENSION/REAR-AXLE IDENTITY for Meritor Tandem Rear Axles with Bar-Pin Beam Attachment Type Suspensions	0/0	0
SHOCK ABSORBERS, REAR (4) for Hendrickson HMX Suspension Only, Mounted from Frame to Beam	0/31	31
AXLE, REAR, LUBE {EmGard FE-75W-90} Synthetic Oil; 65 thru 89.99 Pints	0/0	0
DEF TANK 9.5 U.S. Gal. 35.9L Capacity, Frame Mounted Outside Left Rail, Under Cab	0/0	0
FUEL/WATER SEPARATOR {Racor} Fuel Pre-Filter and Filter Base, Includes Water-In-Fuel Sensor	0/0	0
LOCATION FUEL/WATER SEPARATOR Mounted Outside Left Rail, 66" Back of Cab	0/0	0
FUEL TANK Top Draw, Non-Polished Aluminum, 26" Dia, 70 US Gal (265L), Mounted Left Side, Under Cab	-9/1	-8
FUEL COOLER Less Thermostat; Mounted in Front of Cooling Module	15/0	15
CAB Conventional	0/0	0
AIR CONDITIONER with Integral Heater & Defroster	52/4	56

**INTERNATIONAL®****Vehicle Specifications  
2020 HV513 SFA (HV513)**

November 01, 2018

<u>Description</u>	<u>F/R Wt</u> (lbs)	<u>Tot Wt</u> (lbs)
GAUGE CLUSTER Base Level; English with English Speedometer and Tachometer, for Air Brake Chassis, Includes Engine Coolant Temperature, Primary and Secondary Air Pressure, Fuel and DEF Gauges, Oil Pressure Gauge, Includes 3 Inch Monochromatic Text Display	0/0	0
GAUGE, AIR CLEANER RESTRICTION {Filter-Minder} with Black Bezel Mounted in Instrument Panel	2/0	2
IP CLUSTER DISPLAY On Board Diagnostics Display of Fault Codes in Gauge Cluster	0/0	0
GAUGE, VOLTMETER Auxiliary Gauge, Located in Center Panel. Standard Cluster Also Includes Digital Voltage Readout	0/0	0
SEAT, DRIVER {National 2000 195} Air Suspension, High Back with Integral Headrest, Cloth, Isolator, 3 Chamber Lumbar, 2 Position Front Cushion Adjust, -3 to +14 Degree Back Angle Adjust, Cushion and Back Bolsters	0/0	0
SEAT, PASSENGER {National} Air-Suspension, High Back with Integral Headrest, Cloth, Isolated, 1 Chamber Lumbar, 2 Position Front Cushion Adjustment, -3 to +14 Degree Seat Back Adjustment	56/23	79
MIRRORS (2) Aero; Pedestal, Power Adjust, Heated Heads, Turn Signals, Black Heads and Arms, 6.3" x 13.82" Flat Glass, 6.38" x 6.18" Convex Glass Both Sides	0/0	0
CAB SOUND INSULATION Includes Dash Insulator and Engine Cover Insulator, Premium Floormat, and Sound Dampening Patches	27/0	27
SEAT BELT All Orange; 1 to 3	0/0	0
CAB INTERIOR TRIM Classic, for Day Cab	0/0	0
<u>Includes</u>		
: CONSOLE, OVERHEAD Molded Plastic with Dual Storage Pockets, Retainer Nets and CB Radio Pocket; Located Above Driver and Passenger		
: DOME LIGHT, CAB Door Activated and Push On-Off at Light Lens, Timed Theater Dimming, Integral to Overhead Console, Center Mounted		
: SUN VISOR (2) Padded Vinyl; 2 Moveable (Front-to-Side) Primary Visors, Driver Side with Toll Ticket Strap		
ARM REST, RIGHT, DRIVER SEAT	3/0	3
HOSE CLAMPS, HEATER HOSE {Breeze} Belleville Washer Type	0/0	0
WINDOW, POWER (2) and Power Door Locks, Left and Right Doors, Includes Express Down Feature	5/0	5
HOURLMETER, PTO for Customer Provided PTO; with Indicator Light and Hourmeter in Gauge Cluster Includes Return Wire for PTO Feedback Switch	2/0	2
FRESH AIR FILTER Attached to Air Intake Cover on Cowl Tray in Front of Windshield Under Hood	1/0	1
CAB REAR SUSPENSION Air Bag Type	0/0	0
INSTRUMENT PANEL Wing Panel	0/0	0
ACCESS, CAB Steel, Driver & Passenger Sides, Two Steps Per Door, for use with Regular and Extended Cabs	0/0	0
WHEEL, SPARE, DISC {Accuride 29300} 22.5x9.00 Rims, Powder Coat Steel, 10-Stud, 285.75mm BC, Hub-Piloted	54/54	108
WHEELS, FRONT {Accuride 29300} DISC; 22.5x9.00 Rims, Powder Coat Steel, 5-Hand Hole, 10-Stud, 285.75mm BC, Hub-Piloted, Flanged Nut, with Steel Hubs	82/0	82
WHEELS, REAR {Accuride 29169} DUAL DISC; 22.5x8.25 Rims, Powder Coat Steel, 5-Hand Hole, 10-Stud, 285.75mm BC, Hub-Piloted, Flanged Nut, with .472" Thick Increased Capacity Disc and Steel Hubs	0/88	88
TIRE, SPARE Equal to Model Standard	0/0	0

**INTERNATIONAL®****Vehicle Specifications**  
**2020 HV513 SFA (HV513)**

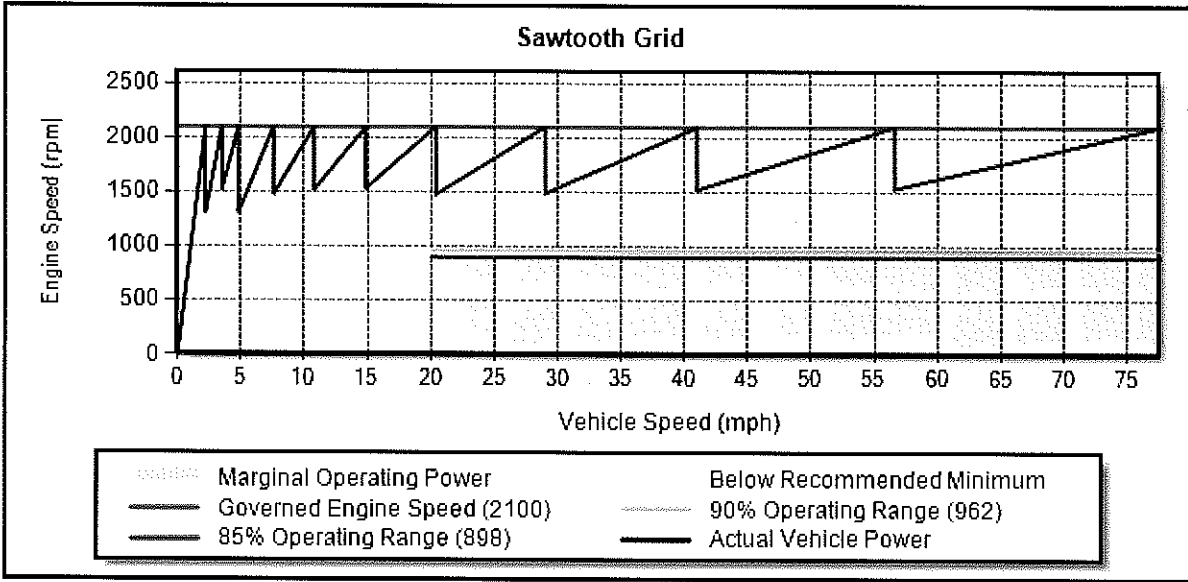
November 01, 2018

<b>Description</b>	<b>F/R Wt</b> (lbs)	<b>Tot Wt</b> (lbs)
BDY INTG, REMOTE POWER MODULE (2) Mounted Inside Cab behind Driver Seat; Up to 6 Outputs & 6 Inputs each, Max. 20 amp. per Channel, Max. 80 amp Total (Includes 2 Switch Packs with Latched Switches)	0/0	0
BDY INTG, SWITCH MOMNTRY 3POS Rocker, Backlit, with "ON" Indicator Mounted on Dash, Latching Software, for 2; Auxiliary Load 20 amp. Maximum; Power Available Only in "Ignition" or "Accessory" Position, Output Also Controlled by a Customer Remote Mounted Switch (requires 2 Remote Power Module inputs & 2 outputs)	0/0	0
BDY INTG, DASH IND LT TRICOLOR (3) for Optional Usage Customer to Program	0/0	0
(8) TIRE, REAR 11R22.5 Load Range H HDC1 (CONTINENTAL), 488 rev/mile, 75 MPH, Drive	0/72	72
(3) TIRE, FRONT 315/80R22.5 Load Range L HSC1 (CONTINENTAL), 484 rev/mile, 68 MPH, All-Position	123/0	123
SUSPENSION, FRONT, SPRING 23000 multi leaf front springs ( 03ACT )	223/0	223
Cab schematic 100WM Location 1: 6M24, Blue (Custom)		
Chassis schematic N/A		
<b>Services Section:</b>		
WARRANTY Standard for HV513, HV613 Models, Effective with Vehicles Built July 1, 2017 or Later, CTS-2030A	0/0	0
<b>Total Component Weight:</b>	<b>9783/8295</b>	<b>18078</b>
rear spare wheel and tire 11R22.5 HDC1	0/0	0
furnish and install key locking battery disconnect switch left side under dash	0/0	0
right side grab handle	0/0	0
KTB liquid tire balance	0/0	0
USB diagnostic cable	0/0	0
training for engine, electrical, transmission ( \$2200/day/4 days )	0/0	0
CD's, thumb drives for parts and service	0/0	0
Maine DOT diamond logic template	0/0	0
<b>Total Goods Purchased:</b>	<b>0/0</b>	<b>0</b>

The weight calculations included in this proposal are an estimate of future vehicle weight. The actual weight as manufactured may be different from the estimated weight. Navistar, Inc. shall not be liable for any consequences resulting from any differences between the estimated weight of a vehicle and the actual weight.



**ENGINE/TRANSMISSION MATCHING**



**Sawtooth Details**

Gear	Trans Ratio	Upshift Power Avail		Govern Power Avail		Peak Power Comparison			Warn Msg
		Veh Spd (MPH)	Eng Spd (RPM)	Veh Spd (MPH)	Eng Spd (RPM)	Gear Step (%)	85% Range (%)	90% Range (%)	
1	26.08	0.0	0	2.2	2100	60.00	134	118	@
2	16.30	2.2	1313	3.5	2100	37.55	134	118	@
3	11.85	3.5	1527	4.8	2100	59.92	134	118	
4	7.41	4.8	1313	7.6	2100	41.68	134	118	
5	5.23	7.6	1482	10.8	2100	37.99	134	118	
6	3.79	10.8	1522	14.9	2100	36.82	134	118	
7	2.77	14.9	1535	20.4	2100	42.05	134	118	
8	1.95	20.4	1478	29.0	2100	41.30	134	118	
9	1.38	29.0	1486	41.0	2100	38.00	134	118	
10	1.00	41.0	1522	56.6	2100	36.99	134	118	
11	0.73	56.6	1533	77.6	2100	0.00	134	118	

@ - WHEELSLIP CAN OCCUR AT THE GRADE SHOWN. THE VEHICLE IS CAPABLE OF INCREASED GRADEABILITY IF MORE WEIGHT IS PLACED ON THE DRIVE AXLES.

**INTERNATIONAL®****Performance TCAPE Summary  
2020 HV513 SFA (HV513)**

October 30, 2018

**STEADY STATE PERFORMANCE**

<b>Performance Results</b>	<b>Gear</b>	<b>Veh Spd (mph)</b>	<b>Eng Spd (rpm)</b>	<b>Fuel Econ (mpg)</b>	<b>Grade (%)</b>	<b>Notes</b>
LEVEL ROAD MAXIMUM SPEED	11	78.2	2116	5.49	0.00	
HI GEAR SPEED @ RATED RPM	11	77.6	2100	5.52	0.44	
55.0 MPH STEADY-STATE	11	55.0	1489	8.17	2.99	
TYPICAL OPERATING SPEED	11	72.0	1949	6.15	1.36	- Calculated Grade Ability/Fuel Economy

VEHICLE ORDER CODING ERRORS MAY RESULT IF THE "LEVEL ROAD MAX SPEED" VALUE EXCEEDS THE "HI GEAR SPEED @ RATED RPM" AND IS USED AS THE ENGINE PROGRAMMABLE VEHICLE SPEED LIMIT.

IF THE RESULTS CONTAIN "-----", VEHICLE CANNOT ATTAIN THAT SPEED.

IF THE RESULTS CONTAIN "\*\*\*\*\*", THE ENGINE USED DOES NOT HAVE A FUEL MAP. FUEL ECONOMY CANNOT BE PREDICTED.

**Recommendations / General Information**

IDLE FUEL RATE : 0.53 GALS/HR @ 600.0 RPM

**Fuel Economy Route: Normal Route - City, Suburban, and Highway**

<b>Key Fuel Economy Information</b>	<b>City</b>	<b>Suburban</b>	<b>Highway</b>	<b>Notes</b>
MILES PER GALLON	4.48	6.76	7.49	
AVERAGE MPH	18.4	39.4	54.5	
MISSION MINUTES	30.77	52.60	173.52	

IF THE RESULTS CONTAIN "\*\*\*\*\*", THE ENGINE USED DOES NOT HAVE A FUEL MAP. FUEL ECONOMY CANNOT BE PREDICTED.

**INTERNATIONAL®****Performance TCAPE Summary  
2020 HV513 SFA (HV513)**

October 30, 2018

**GRADEABILITY PERFORMANCE****Grade Ability Table**

<b>Gear</b>	<b>Trans Ratio</b>	<b>Gear Step</b>	<b>Veh Spd (mph)</b>	<b>Eng Spd (rpm)</b>	<b>Whl Pwr (hp)</b>	<b>Grade (%)</b>	<b>Warn Msg</b>	<b>Start Grade (%)</b>	<b>Notes</b>
1	26.08	60.00	0.8	800	62.48	57.50	@	57.50	- Calculated Start Ability
			1.0	1000	78.10	57.50	@		
			2.2	2100	164.02	57.50	@		
2	16.30	37.55	1.3	800	99.97	57.50	@	57.50	
			1.7	1000	124.96	57.50	@		
			2.2	1313	164.02	57.50	@		
			3.5	2100	262.43	57.50	@		
3	11.85	59.92	1.8	800	125.88	51.19		41.19	
			2.3	1000	171.89	57.50	@		
			3.5	1527	262.43	57.50	@		
			4.8	2100	288.14	43.17			
4	7.41	41.68	2.9	800	127.21	29.76		19.76	
			3.6	1000	244.68	49.39			
			4.8	1313	321.49	49.43			
			7.6	2100	290.83	25.53			
5	5.23	37.99	4.1	800	127.78	20.42		10.42	
			5.2	1000	245.91	32.83			
			7.6	1482	361.66	32.54			
			10.8	2100	291.90	17.56			
6	3.79	36.82	5.7	800	128.07	14.47		4.47	
			7.1	1000	246.60	23.05			
			10.8	1522	366.38	22.44			
			14.9	2100	292.29	12.41			
7	2.77	42.05	7.8	800	128.15	10.32		0.32	
			9.7	1000	246.91	16.44			
			14.9	1535	366.72	15.85			
			20.4	2100	292.10	8.78			
8	1.95	41.30	13.8	1000	246.87	11.25			
			20.4	1478	362.00	11.10			
			29.0	2100	291.05	5.81			
9	1.38	38.00	29.0	1486	362.57	7.47			
			41.0	2100	288.77	3.64			
10	1.00	36.99	41.0	1522	368.44	4.94			
			56.6	2100	288.34	2.03			
11	0.73	0.00	56.6	1533	357.67	2.85			
			74.1	2006	314.22	1.00			
			77.2	2091	279.90	0.50			
			77.6	2100	275.86	0.44			
			78.2	2116	229.80	0.00			

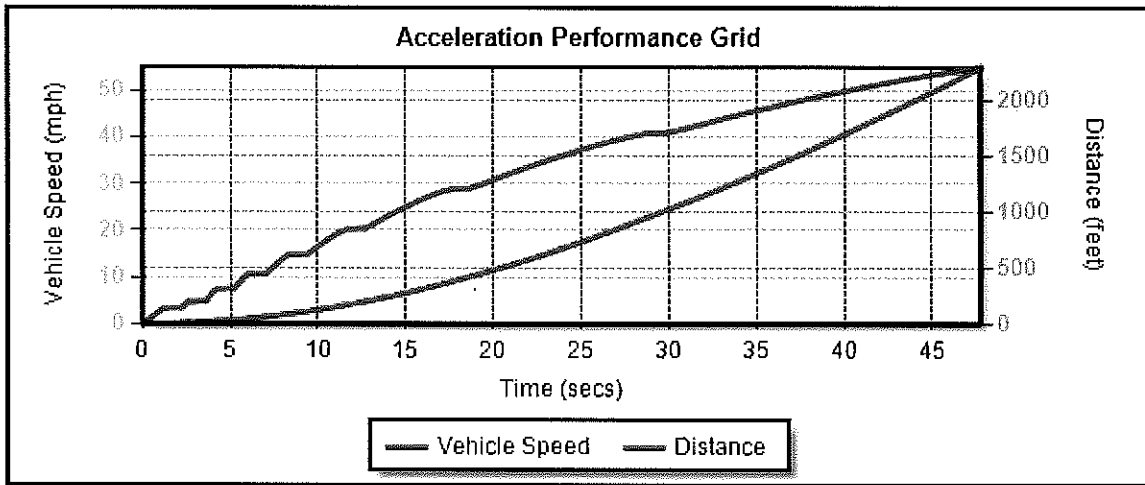
**STARTING / TOP GEAR PERFORMANCE**

<b>Gear</b>	<b>Trans Ratio</b>	<b>Gear Step</b>	<b>Veh Spd (mph)</b>	<b>Eng Spd (rpm)</b>	<b>Whl Pwr (hp)</b>	<b>Grade (%)</b>	<b>Warn Msg</b>	<b>Start Grade (%)</b>	<b>Notes</b>
1	26.08	60.00	0.8		62.48	57.50	@	57.50	- Calculated Start Ability
2	16.30	37.55	1.3		99.97	57.50	@	57.50	
3	11.85	59.92	1.8		125.88	51.19		41.19	
4	7.41	41.68	2.9		127.21	29.76		19.76	
5	5.23	37.99	4.1		127.78	20.42		10.42	
6	3.79	36.82	5.7		128.07	14.47		4.47	
7	2.77	42.05	7.8		128.15	10.32		0.32	

@ - WHEELSLIP CAN OCCUR AT THE GRADE SHOWN. THE VEHICLE IS CAPABLE OF INCREASED GRADEABILITY IF MORE WEIGHT IS PLACED ON THE DRIVE AXLES.

**ACCELERATION PERFORMANCE RESULTS**

**Acceleration Performance Grid**



Acceleration Performance: TIME TO ACCELERATE ON A GRADE TO 55.0 (MPH) IS 47.84 (SECS)

**Acceleration Performance Details**

Gear	Time (secs)	Distance (feet)	Speed (mph)	Notes
2	0.36	0.3	1.0	
	0.72	1.1	2.0	
	1.08	2.4	3.0	
	1.26	3.2	3.5	
	2.26	8.3	3.4	
3	2.50	9.7	4.4	
	2.60	10.3	4.8	
	3.60	17.3	4.7	
4	3.79	18.7	5.7	
	3.99	20.6	6.7	
	4.24	23.1	7.6	
	5.24	34.3	7.5	
5	5.45	36.8	8.5	
	5.69	39.9	9.5	
	5.97	44.1	10.5	
	6.08	45.7	10.8	
6	7.08	61.5	10.7	
	7.34	65.8	11.7	
	7.62	70.9	12.7	
	7.93	76.9	13.7	
	8.30	84.5	14.7	
7	8.41	87.0	14.9	
	9.41	108.8	14.8	
	9.75	116.3	15.8	
	10.11	124.8	16.8	
	10.49	134.5	17.8	
8	10.90	145.4	18.8	
	11.36	158.6	19.8	
	11.73	169.4	20.4	
	12.73	199.3	20.3	
	13.18	213.0	21.3	
	13.65	227.9	22.3	

**INTERNATIONAL®****Performance TCAPE Summary  
2020 HV513 SFA (HV513)**

October 30, 2018

<b>Gear</b>	<b>Time (secs)</b>	<b>Distance (feet)</b>	<b>Speed (mph)</b>	<b>Notes</b>
	14.14	244.4	23.3	
	14.66	262.4	24.3	
	15.20	282.0	25.3	
	15.76	303.2	26.3	
	16.37	327.2	27.3	
	17.07	355.5	28.3	
	17.69	381.7	29.0	
	18.69	424.1	28.8	
9	19.34	452.0	29.8	
	20.01	481.8	30.8	
	20.71	513.9	31.8	
	21.43	548.3	32.8	
	22.19	585.1	33.8	
	22.96	624.2	34.8	
	23.77	665.8	35.8	
	24.60	710.1	36.8	
	25.47	758.1	37.8	
	26.44	812.1	38.8	
	27.51	873.9	39.8	
	28.71	945.0	40.8	
	28.98	961.2	41.0	
	29.98	1021.2	40.8	
10	30.95	1079.7	41.8	
	31.95	1141.8	42.8	
	32.98	1207.5	43.8	
	34.05	1277.1	44.8	
	35.16	1350.8	45.8	
	36.31	1428.5	46.8	
	37.49	1510.1	47.8	
	38.70	1596.0	48.8	
	39.95	1686.3	49.8	
	41.24	1781.4	50.8	
	42.59	1882.9	51.8	
	44.04	1994.5	52.8	
	45.65	2119.6	53.8	
	47.42	2260.7	54.8	
	47.84	2295.0	55.0	

**INTERNATIONAL®****Performance TCAPE Summary  
2020 HV513 SFA (HV513)****October 30, 2018****REQUIRED TCAPE INFORMATION****TCAPE Factors For Vehicle**

Selected Rear Axle Gear Ratio(s):	4.56
Parked PTO:	NO
Enroute PTO:	NO
Vehicle Vocation:	MODERATE ON/OFF HIGHWAY
ID Wheel Slip Conditions:	Yes
Road Governor/Cruise Ctrl:	No
Engine Fan Type:	VISCOUS
Road Surface Type:	TYPICAL
Fuel Economy Route:	Normal Route - City, Suburban, and Highway
Acceleration Grade (%):	0.0
Frontal Area (FT2):	76
Speed Limit on Route (MPH):	61.0
Relative Drag Coefficient:	85
Alternator (A):	40
Steering Gear (HP):	2.60
Air Conditioner (HP):	3.20
Vehicle Width (IN):	96
Acceleration Start Gear:	2
Vehicle Height (IN):	115
Weight on Drive Axle (LBF):	46000
Acceleration Vehicle Spd (MPH):	55.0
Air Compressor (HP):	2.20
TIRE, FRONT	2 - RADIAL LOWPROFILE
TIRE, REAR	8 - RADIAL NORMAL

**Components**

0002ARY	AXLE, FRONT NON-DRIVING {Meritor MFS-20-133A} Wide Track, I-Beam Type, 20,000-lb Capacity
0004SPM	AIR COMPRESSOR {Bendix BA-921 Head Unload} 15.9 CFM Capacity, Single Cylinder
0005PTB	STEERING GEAR (2) {Sheppard M100/M80} Dual Power
0008GXJ	ALTERNATOR {Leece-Neville AVI160P2013} Brush Type; 12 Volt 160 Amp. Capacity, Pad Mount
0012BEA	ENGINE, DIESEL {International A26} EPA 2017, 410HP @ 1700 RPM, 1450 lb-ft Torque @ 1000 RPM, 2100 RPM Governed Speed, 410 Peak HP (Max)
0012THT	FAN DRIVE {Horton Drivemaster} Direct Drive Type, Two Speed with Residual Torque Device for Disengaged Fan Speed
0013GNA	TRANSMISSION, MANUAL {Fuller RTO(F)-16909ALL} 11-Speed Manual, with Overdrive and Double-Lo, with Lube Oil Pump, with Air Shift
0014GRR	AXLE, REAR, TANDEM {Meritor RT-46-160P} Single Reduction, 46,000-lb Capacity, with Lube Oil Pump, 200 Wheel Ends
0016030	CAB Conventional
0016BAM	AIR CONDITIONER with Integral Heater & Defroster
07382135420	TIRE, REAR 11R22.5 Load Range H HDC1 (CONTINENTAL), 488 rev/mile, 75 MPH, Drive 11R22.5 Load Range H HDC1 (CONTINENTAL), 488 rev/mile, 75 MPH, Drive
07792545419	TIRE, FRONT 315/80R22.5 Load Range L HSC1 (CONTINENTAL), 484 rev/mile, 68 MPH, All-Position 315/80R22.5 Load Range L HSC1 (CONTINENTAL), 484 rev/mile, 68 MPH, All-Position

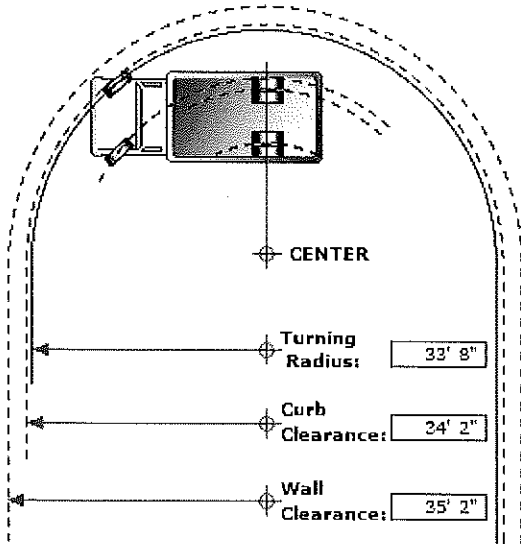
**TCAPE HAS BEEN DESIGNED TO GIVE ECONOMY AND PERFORMANCE PREDICTIONS WHICH HAVE BEEN SHOWN TO BE TYPICAL FOR MOST OPERATIONS. HOWEVER, DUE TO OPERATING CONDITIONS, DRIVER INFLUENCES, AND OTHER FACTORS, YOUR RESULTS MAY VARY FROM THOSE PREDICTED. ALSO, BECAUSE OF FUEL MAPPING PROCEDURES USED BY VARIOUS ENGINE MANUFACTURERS, COMPARISONS OF FUEL ECONOMY RESULTS FOR DIFFERENT BRANDS OF ENGINES MAY VARY FROM THOSE SHOWN.**

**NAVISTAR, INC. SHALL NOT BE LIABLE FOR ANY LOSS OF PROFITS, LOSS OF USE, INTERRUPTION OF BUSINESS OR INDIRECT, SPECIAL, INCIDENTAL OR CONSEQUENTIAL DAMAGES OF ANY KIND THAT ARE INCURRED BY DEALER OR BY DEALER'S CUSTOMERS AS A RESULT OF RELIANCE ON TCAPE, WHETHER THE CLAIM IS IN CONTRACT, TORT (INCLUDING NEGLIGENCE), STRICT LIABILITY OR OTHERWISE.**

**INTERNATIONAL®**

**Turning Radius Summary  
2020 HV513 SFA (HV513)**

October 30, 2018



Series: HV  
 Model: HV513  
 Description: HV513 SFA  
 Model Year: 2020

**Calculation Factors**

Wheelbase: 219  
 Front Axle: 0002ARY  
 Description: AXLE, FRONT NON-DRIVING, {Meritor MFS-20-133A} Wide Track, I-Beam Type, 20,000-lb Capacity  
 Front Wheel: 0027DUL  
 Description: WHEELS, FRONT, {Accuride 29300} DISC; 22.5x9.00 Rims, Powder Coat Steel, 5-Hand Hole, 10-Stud, 285.75mm BC, Hub-Piloted, Flanged Nut, with Steel Hubs  
 Front Tire: 07792545419  
 Description: TIRES, 315/80R22.5 Load Range L HSC1 (CONTINENTAL), 484 rev/mile, 68 MPH, All-Position  
 Steering Gear: 0005PTB  
 Description: STEERING GEAR, (2) {Sheppard M100/M80} Dual Power

**Turning Radius Statistics**

**General Information**

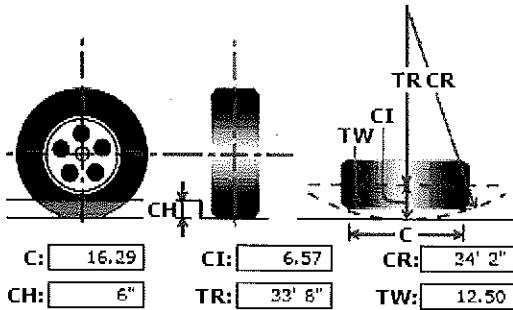
Inside Turn Angle: 40 Degrees  
 Radial Overhang: 18

**Axle Information**

KingPin Inclination: 6.25 Degrees  
 KingPin Center: 71

**Turning Radius - Curb View**

C - Curb Contact Length: 16.29  
 CI - Curb Clearance Increment: 6.57  
 CR - Curb Clearance Radius: 34'2"  
 CH - Curb Height: 6"  
 TR - Turning Radius: 33'8"  
 TW - Tire Width: 12.50



\* All Measurements are in inches, unless otherwise specified.

This information is based on engineering information available at this time. Actual figures may vary. Navistar, Inc. cannot accept liability for consequences due to this variance.

**RIDER B  
TERMS AND CONDITIONS**

- 1. DEFINITIONS:** The following definitions are applicable to these standard terms and conditions:
  - a. The term “Buyer” or “State” shall refer to the Government of the State of Maine or a person representing the Government of the State of Maine.
  - b. The term “Department” or “DAFS” shall refer to the State of Maine Department of Administrative and Financial Services.
  - c. The term “Bureau” or “BGS” shall refer to the State of Maine Bureau of General Services.
  - d. The term “Division” shall refer to the State of Maine Division of Purchases.
  - e. The term “Contractor”, “Vendor”, or “Provider” shall refer to the organization that is providing goods and/or services through the contract to which these standard terms and conditions have been attached and incorporated.
  - f. The term “Contract” or “Agreement” shall refer to the contract document to which these standard terms and conditions apply, taking the format of a Buyer Purchase Order (BPO) or Master Agreement (MA) or other contractual document that is mutually agreed upon between the State and the Contractor.
  
- 2. WARRANTY:** The Contractor warrants the following:
  - a. That all goods and services to be supplied by it under this Contract are fit and sufficient for the purpose intended, and
  - b. That all goods and services covered by this Contract will conform to the specifications, drawing samples, symbols or other description specified by the Division, and
  - c. That such articles are merchantable, good quality, and free from defects whether patent or latent in material and workmanship, and
  - d. That all workmanship, materials, and articles to be provided are of the best grade and quality, and
  - e. That it has good and clear title to all articles to be supplied by it and the same are free and clear from all liens, encumbrances and security interest.

Neither the final certificate of payment nor any provision herein, nor partial nor entire use of the articles provided shall constitute an acceptance of work not done in accordance with this agreement or relieve the Contractor liability in respect of any warranties or responsibility for faulty material or workmanship. The Contractor shall remedy any defects in the work and pay any damage to other work resulting therefrom, which shall appear within one year from the date of final acceptance of the work provided hereunder. The Division of Purchases shall give written notice of observed defects with reasonable promptness.

**3. TAXES:** Contractor agrees that, unless otherwise indicated in the order, the prices herein do not include federal, state, or local sales or use tax from which an exemption is available for purposes of this order. Contractor agrees to accept and use tax exemption certificates when supplied by the Division as applicable. In case it shall ever be determined that any tax included in the prices herein was not required to be paid by Contractor, Contractor agrees to notify the Division and to make prompt application for the refund thereof, to take all proper steps to procure the same and when received to pay the same to the Division.

**4. PACKING AND SHIPMENT:** Deliveries shall be made as specified without charge for boxing, carting, or storage, unless otherwise specified. Articles shall be suitably packed to secure lowest transportation cost and to conform to the requirements of common carriers and any applicable specifications. Order numbers and symbols must be plainly marked on all invoices,



packages, bills of lading, and shipping orders. Bill of lading should accompany each invoice. Count or weight shall be final and conclusive on shipments not accompanied by packing lists.

**5. DELIVERY:** Delivery should be strictly in accordance with delivery schedule. If Contractor's deliveries fail to meet such schedule, the Division, without limiting its other remedies, may direct expedited routing and the difference between the expedited routing and the order routing costs shall be paid by the Contractor. Articles fabricated beyond the Division's releases are at Contractor's risk. Contractor shall not make material commitments or production arrangements in excess of the amount or in advance of the time necessary to meet delivery schedule, and, unless otherwise specified herein, no deliveries shall be made in advance of the Division's delivery schedule. Neither party shall be liable for excess costs of deliveries or defaults due to the causes beyond its control and without its fault or negligence, provided, however, that when the Contractor has reason to believe that the deliveries will not be made as scheduled, written notice setting forth the cause of the anticipated delay will be given immediately to the Division. If the Contractor's delay or default is caused by the delay or default of a subcontractor, such delay or default shall be excusable only if it arose out of causes beyond the control of both Contractor and subcontractor and without fault of negligence or either of them and the articles or services to be furnished were not obtainable from other sources in sufficient time to permit Contractor to meet the required delivery schedule.

**6. FORCE MAJEURE:** The State may, at its discretion, excuse the performance of an obligation by a party under this Agreement in the event that performance of that obligation by that party is prevented by an act of God, act of war, riot, fire, explosion, flood or other catastrophe, sabotage, severe shortage of fuel, power or raw materials, change in law, court order, national defense requirement, or strike or labor dispute, provided that any such event and the delay caused thereby is beyond the control of, and could not reasonably be avoided by, that party. The State may, at its discretion, extend the time period for performance of the obligation excused under this section by the period of the excused delay together with a reasonable period to reinstate compliance with the terms of this Agreement.

**7. INSPECTION:** All articles and work will be subject to final inspection and approval after delivery, notwithstanding prior payment, it being expressly agreed that payment will not constitute final acceptance. The Division of Purchases, at its option, may either reject any article or work not in conformity with the requirements and terms of this order, or re-work the same at Contractor's expense. The Division may reject the entire shipment where it consists of a quantity of similar articles and sample inspection discloses that ten (10%) percent of the articles inspected are defective, unless Contractor agrees to reimburse the Division for the cost of a complete inspection of the articles included in such shipment. Rejected material may be returned at Contractor's risk and expense at the full invoice price plus applicable incoming transportation charges, if any. No replacement of defective articles of work shall be made unless specified by the Division.

**8. INVOICE:** The original and duplicate invoices covering each and every shipment made against this order showing Contract number, Vendor number, and other essential particulars, must be forwarded promptly to the ordering agency concerned by the Vendor to whom the order is issued. Delays in receiving invoice and also errors and omissions on statements will be considered just cause for withholding settlement without losing discount privileges. All accounts are to be carried in the name of the agency or institution receiving the goods, and not in the name of the Division of Purchases.

**9. ALTERATIONS:** The Division reserves the right to increase or decrease all or any portion of the work and the articles required by the bidding documents or this agreement, or to eliminate

all or any portion of such work or articles or to change delivery date hereon without invalidating this Agreement. All such alterations shall be in writing. If any such alterations are made, the contract amount or amounts shall be adjusted accordingly. In no event shall Contractor fail or refuse to continue the performance of the work in providing of articles under this Agreement because of the inability of the parties to agree on an adjustment or adjustments.

**10. TERMINATION:** The Division may terminate the whole or any part of this Agreement in any one of the following circumstances:

- a. The Contractor fails to make delivery of articles, or to perform services within the time or times specified herein, or
- b. If Contractor fails to deliver specified materials or services, or
- c. If Contractor fails to perform any of the provisions of this Agreement, or
- d. If Contractor so fails to make progress as to endanger the performance of this Agreement in accordance with its terms, or
- e. If Contractor is adjudged bankrupt, or if it makes a general assignment for the benefit of its creditors or if a receiver is appointed because of its insolvency, or
- f. Whenever for any reason the State shall determine that such termination is in the best interest of the State to do so.

In the event that the Division terminates this Agreement in whole or in part, pursuant to this paragraph with the exception of 8(f), the Division may procure (articles and services similar to those so terminated) upon such terms and in such manner as the Division deems appropriate, and Contractor shall be liable to the Division for any excess cost of such similar articles or services.

**11. NON-APPROPRIATION:** Notwithstanding any other provision of this Agreement, if the State does not receive sufficient funds to fund this Agreement and other obligations of the State, if funds are de-appropriated, or if the State does not receive legal authority to expend funds from the Maine State Legislature or Maine courts, then the State is not obligated to make payment under this Agreement.

**12. COMPLIANCE WITH APPLICABLE LAWS:** Contractor agrees that, in the performance hereof, it will comply with applicable laws, including, but not limited to statutes, rules, regulations or orders of the United States Government or of any state or political subdivision(s) thereof, and the same shall be deemed incorporated herein by reference. Awarding agency requirements and regulations pertaining to copyrights and rights in data. Access by the grantee, the subgrantee, the Federal grantor agency, the Comptroller General of the United States, or any of their duly authorized representatives to any books, documents, papers and records of the Contractor which are directly pertinent to that specific contract for the purpose of making audit, examination, excerpts, and transcriptions. Retention of all required records for three years after grantees or subgrantees make final payments and all other pending matters are closed. Compliance with all applicable standards, orders, or requirements issued under section 306 of the Clean Air Act (42 U.S.C. 1857(h), section 508 of the Clean Water Act, (33 U.S.C. 1368), Executive Order 11738, and Environmental Protection Agency regulations (40 CFR part 15). (Contracts, subcontracts, and subgrants of amounts in excess of \$100,000). Mandatory standards and policies relating to energy efficiency which are contained in the state energy conservation plan issued in compliance with Energy Policy and Conservation Act (Pub. L. 94-163, 89 Stat. 871).

**13. INTERPRETATION:** This Agreement shall be governed by the laws of the State of Maine as to interpretation and performance.

**14. DISPUTES:** The Division will decide any and all questions which may arise as to the quality and acceptability of articles provided and installation of such articles, and as to the manner of performance and rate of progress under this Contract. The Division will decide all questions, which may arise as to the interpretation of the terms of this Agreement and the fulfillment of this Agreement on the part of the Contractor.

**15. ASSIGNMENT:** None of the sums due or to become due nor any of the work to be performed under this order shall be assigned nor shall Contractor subcontract for completed or substantially completed articles called for by this order without the Division's prior written consent. No subcontract or transfer of agreement shall in any case release the Contractor of its obligations and liabilities under this Agreement.

**16. STATE HELD HARMLESS:** The Contractor agrees to indemnify, defend, and save harmless the State, its officers, agents, and employees from any and all claims and losses accruing or resulting to any and all contractors, subcontractors, material men, laborers and other persons, firm or corporation furnishing or supplying work, services, articles, or supplies in connection with the performance of this Agreement, and from any and all claims and losses accruing or resulting to any person, firm or corporation who may be injured or damaged by the Contractor in the performance of this Agreement.

**17. SOLICITATION:** The Contractor warrants that it has not employed or written any company or person, other than a bona fide employee working solely for the Contractor to solicit or secure this Agreement, and it has not paid, or agreed to pay any company, or person, other than a bona fide employee working solely for the Contractor any fee, commission, percentage, brokerage fee, gifts, or any other consideration, contingent upon, or resulting from the award for making this Agreement. For breach or violation of this warranty, the Division shall have the absolute right to annul this agreement or, in its discretion, to deduct from the Agreement price or consideration, or otherwise recover the full amount of such fee, commission, percentage, brokerage fee, gifts, or contingent fee.

**18. WAIVER:** The failure of the Division to insist, in any one or more instances, upon the performance of any of the terms, covenants, or conditions of this order or to exercise any right hereunder, shall not be construed as a waiver or relinquishment of the future performance of any such term, covenant, or condition or the future exercise of such right, but the obligation of Contractor with respect to such future performance shall continue in full force and effect.

**19. MATERIAL SAFETY:** All manufacturers, importers, suppliers, or distributors of hazardous chemicals doing business in this State must provide a copy of the current Material Safety Data Sheet (MSDS) for any hazardous chemical to their direct purchasers of that chemical.

**20. COMPETITION:** By accepting this Contract, Contractor agrees that no collusion or other restraint of free competitive bidding, either directly or indirectly, has occurred in connection with this award by the Division of Purchases.

**21. INTEGRATION:** All terms of this Contract are to be interpreted in such a way as to be consistent at all times with this Standard Terms and Conditions document, and this document shall take precedence over any other terms, conditions, or provisions incorporated into the Contract.

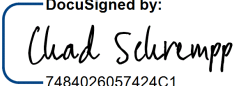
**STATE OF MAINE  
DEPARTMENT OF ADMINISTRATIVE AND FINANCIAL SERVICES  
DIVISION OF PROCUREMENT SERVICES**

**BID COVER PAGE**

Bidder's Organization Name: AT Maine, LLC		
Chief Executive - Name/Title: Jed Hunter/CEO		
Tel: 3364029380	Fax:	E-mail: cschrempp@allegiancetrucks.com
Headquarters Street Address: 9 W Broad Street Suite 720		
Headquarters City/State/Zip: Stamford, CT 06902		
<i>(provide information requested below if different from above)</i>		
Lead Point of Contact for Bid - Name/Title: Gary Daigle		
Tel: 2075572788	Fax:	E-mail: gary@daigleandhoughton.com
Street Address: 130 Market Street #101		
City/State/Zip: Fort Kent, ME 04743		

By signing below Bidder affirms:

- Their bid complies with all requirements of this RFQ;
- This bid and the pricing structure contained herein will remain firm for a period of 180 days from the date and time of the bid opening;
- That no personnel currently employed by the Department or any other State agency participated, either directly or indirectly, in any activities relating to the preparation of the Bidder's proposal;
- That no attempt has been made or will be made by the Bidder to induce any other person or firm to submit or not to submit a proposal; and
- The undersigned is authorized to enter into contractual obligations on behalf of the above-named organization.

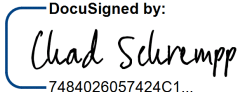
Name: chad schrempp	Title: COO
Authorized Signature:  7484028057424C1...	Date: 1/25/2022

## Debarment, Performance, and Non-Collusion Certification

*By signing this document, I certify to the best of my knowledge and belief that the aforementioned organization, its principals, and any subcontractors named in this proposal:*

- a. Are not presently debarred, suspended, proposed for debarment, and declared ineligible or voluntarily excluded from bidding or working on contracts issued by any governmental agency.*
  - b. Have not within three years of submitting the proposal for this contract been convicted of or had a civil judgment rendered against them for:*
    - i. fraud or a criminal offense in connection with obtaining, attempting to obtain, or performing a federal, state or local government transaction or contract.*
    - ii. violating Federal or State antitrust statutes or committing embezzlement, theft, forgery, bribery, falsification or destruction of records, making false statements, or receiving stolen property;*
    - iii. are not presently indicted for or otherwise criminally or civilly charged by a governmental entity (Federal, State or Local) with commission of any of the offenses enumerated in paragraph (b) of this certification; and*
    - iv. have not within a three (3) year period preceding this proposal had one or more federal, state or local government transactions terminated for cause or default.*
  - c. Have not entered into a prior understanding, agreement, or connection with any corporation, firm, or person submitting a response for the same materials, supplies, equipment, or services and this proposal is in all respects fair and without collusion or fraud. The above-mentioned entities understand and agree that collusive bidding is a violation of state and federal law and can result in fines, prison sentences, and civil damage awards.*
- Failure to provide this certification may result in the disqualification of the Bidder's proposal, at the discretion of the Department.**

*To the best of my knowledge all information provided in the enclosed proposal, both programmatic and financial, is complete and accurate at the time of submission.*

Name: Chad Schrempp	Title: coo
Authorized Signature:  <small>7484026057424C1...</small>	Date: 1/25/2022

**Appendix E**

**STATE OF MAINE  
DEPARTMENT OF ADMINISTRATIVE AND FINANCIAL SERVICES  
DIVISION OF PROCUREMENT SERVICES**

**MUNICIPALITY POLITICAL SUBDIVISION and SCHOOL DISTRICT PARTICIPATION  
CERTIFICATION**

**RFQ # 17D18091200000000000085**

**HEAVY DUTY SNOW PLOW TRUCK CAB & CHASSIS (3 Types)**

The Division of Procurement Services is committed to providing purchasing opportunities for **municipalities, political subdivisions and school districts** in Maine by allowing them access, through our vendors, to our contract pricing. A bidder's willingness to extend contract pricing to these entities will be taken into consideration in making awards.

Will you accept orders from political subdivisions and school districts in Maine at the prices quoted?

Yes

Yes, with conditions as follows: Same pricing honored if specifications remain the same. The same discount will be passed on but price may differ with different options.

No

**Name of Company: Daigle & Houghton, Inc.**

**Address: 130 Market Street, Fort Kent, ME 04743**

**Signature:** 

**Date: 11/2/18**

**Appendix F**

**RFQ # 17D1809120000000000085**

**HEAVY DUTY SNOW PLOW TRUCK CAB & CHASSIS (3 Types)**

**CERTIFICATIONS**

**1.0 NONCOLLUSION BIDDING CERTIFICATION**

By submission of this Bid, each Bidder and each person signing on behalf of any Bidder certifies, and in the case of a joint bid, each party certifies as to its own organization, under penalty of perjury, that to the best of its knowledge and belief:

1. The prices in this Bid have been arrived at independently without collusion, consultation, communication or agreement, for the purpose of restricting competition as to any other matter relating to such prices with any other Bidder or with any other competitor;
2. Unless otherwise required by law, the prices which have been quoted in this Bid have not been knowingly disclosed by the Bidder and will not knowingly be disclosed by the Bidder prior to opening, directly or indirectly, to any other Bidder or to any competitor; and,
3. No attempt has been made or will be made by the Bidder to induce any other person, partnership or corporation to submit or not to submit a Bid for the purpose of restricting competition.

11/2/18  
Dated

Gary Daigle  
Printed name of Person Bidding

  
Authorized Signature

President  
Title

**2.0 EQUIPMENT PERFORMANCE AND WARRANTY DATA**

The information provided on this form will be used in determining operating costs of the equipment. Bidder must complete this form and submitted with bid. Bids received without this information will be considered non-responsive to the bid.

**1. EQUIPMENT:**

**2. DESCRIBE THE PROCESS FOR THE SUBMISSION OF WARRANTY CLAIMS FOR REIMBURSEMENT OUTLINED AND SUBMITTED WITH THE BID. (written process to follow for reimbursement of warranty claims)**

Warranty claims performed in our dealerships submitted in house. Outside warranties performed at facilities will be submitted by dealership, parts replaced must be returned and all labor costs must meet SRT provided by manufacture.

**3. EQUIPMENT INFORMATION:**

YEAR: 2020           EQUIPMENT MAKE: International

EQUIPMENT MODEL: Model HV507SFA ( 34000 GVW) and HV513SFA ( 54,0000 GVW)

**4. MANUFACTURER’S RECOMMENDED PREVENTATIVE MAINTENANCE SCHEDULE MUST BE PROVIDED**

Marked as Item 4 in attachments

**5. BASIC EQUIPMENT WARRANTY DESCRIPTION**

Marked as Item 5 in attachments

**6. NAME/LOCATION OF REPAIR FACILITY(S) (BOTH AUTHORIZED WARRANTY, PARTS & SERVICE PER REQUESTED LOCATION). It is desired that at least one facility is located within 75-mile radius each region headquarters: Scarborough, Augusta, Dixfield, Bangor and Presque Isle.**

**WARRANTY AND SERVICE FACILITIES**

ADDRESS 1: 130 Market Street, Fort Kent

ADDRESS 2: 571 Coldbrook Rd., Hermon

ADDRESS 3: 154 Pleasant Hill Rd., Scarborough

ADDRESS 4:

ADDRESS 5:

CONTACT NAME: Ryan Daigle                   TELEPHONE: 207-941-9600

EQUIPMENT PARTS PROVIDER: Truck and engine parts same as warranty and service facilities

ADDRESS: Fort Kent, Hermon, Scarborough

CONTACT NAME: Ryan Daigle                   TELEPHONE: 207-941-9600



Attach written explanation describing the locations of the facilities, the contact name and number at each facility, the times the facilities will be available for use, the qualifications of the staff at the facilities and how the vendor will provide warranty and service at these service facilities.

Bidder certifies that they have service facilities in Maine, staffed with trained service technicians and stocked with repair parts for the equipment which is bid.

This form must be reproduced and completed for any additional equipment warranty/facility information.

11/2/18  
Dated

  
Signature

Gary Daigle  
Print Name

Daigle & Houghton, Inc.  
Company Name

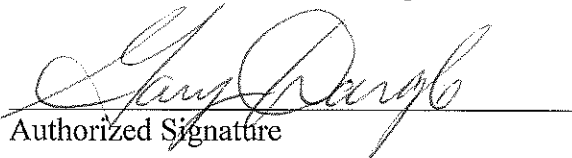
**3.0 SPECIFICATION COMPLIANCE**

The bidder hereby certifies that the equipment(s) being bid in response to this invitation meet or exceed these specifications and that where a deviation from the specifications exists, the bidder has obtained written approval of those exceptions prior to submitting this bid.

If a conflict exists between these specifications and Federal and/or State laws, the Federal and/or State laws shall prevail and the bidder must alert the purchaser to any such conflicts.

11/2/18  
Dated

Gary Daigle  
Printed name of Person Bidding

  
Authorized Signature

President  
Title

## Appendix G

### RFQ # 17D18091200000000000085

#### HEAVY DUTY SNOW PLOW TRUCK CAB & CHASSIS (3 Types)

#### MaineDOT TERMS AND CONDITIONS

##### A. AGREEMENT

The Vendor shall deliver the equipment ordered in accordance with this Agreement and governed by these Terms and Conditions.

##### B. INDEPENDENT CAPACITY

In providing the equipment under the Agreement, the Vendor shall act independently and not as an agent of the State of Maine.

##### C. STATUS REPORTS

Prior to the start of work, the Vendor shall furnish MaineDOT with a proposed progress schedule in MaineDOT's standard format. The Vendor will outline the various phases of work that will need to be completed in order to meet the schedule set forth by MaineDOT.

During equipment assembly, the successful bidder shall submit to MaineDOT's Fleet Representative, a Monthly Status Report of accomplishments from the preceding month. The progress report shall be used to keep team members and MaineDOT's Fleet Representative informed about project status and issues. Information will include:

- a. A written statement describing the work accomplished during the period and to date.
- b. An estimate of the percentage of work completed within the specified services.
- c. Any information needed from MaineDOT to complete the project and avoid delays.
- d. The successful bidder's action plan to remedy and address any non-conforming or unacceptable work submitted to Department.
- e. Document anticipated problems and possible solutions.

These progress reports shall be submitted to MaineDOT on a **monthly basis**. Failure to submit could result in non-payment of the invoice, or be considered as a default, and shall be recorded in the Vendor's Performance Evaluation. If work is temporarily delayed, the Vendor may suspend submittal of the monthly progress reports with written approval from MaineDOT. The Vendor shall be responsible for addressing any action that may be required to keep the project on schedule.

MaineDOT shall have a period of 15 business days after receipt of the submissions to complete the review and make any necessary comments. Following the review, the Vendor will make any revisions and corrections requested by MaineDOT.

**D. PAYMENT AND OTHER PROVISIONS**

MaineDOT anticipates paying the selected Vendor for goods and services received, on the basis of net 30 payment terms following acceptance of the equipment, the receipt of an acceptable title and required documents, and an accurate and acceptable invoice. An invoice will be considered accurate and acceptable if it contains the State of Maine Agreement number, correct pricing information relative to the Agreement, and provides any required supporting documents, as applicable, and any other specific and agreed-upon requirements listed within the Agreement.

MaineDOT reserves the right to pay for the equipment purchased by any of several available means, which include but may not be limited to check, EFT, and/or procurement card. Vendors are advised that state statute precludes sellers from imposing a surcharge on credit or debit card purchases (text follows):

“9-A MRSA §8-303 (2): A seller in a sales transaction may not impose a surcharge on a cardholder who elects to use a credit card or debit card in lieu of payment by cash, check or similar means.”

**E. WARRANTY**

For a period of one (1) year following equipment delivery and acceptance (the “Warranty period”), Vendor unconditionally warrants and guarantees that the equipment shall be free from defects in parts and workmanship. If MaineDOT discovers any defects during the Warranty period, the Vendor’s obligation will be to repair or replace the equipment or refund the purchase price, at MaineDOT’s sole option subject to the following requirements as applicable:

- Replacement will be with new equipment matching the specifications within this Agreement.
- Reimbursement will be for the total purchase price of the equipment including the cost of returning the equipment.
- All Repairs including the cost of transporting the equipment will be borne by the Vendor. All repairs will be warranted free from defects in parts and workmanship for a one year period following the repair.

The Vendor hereby assigns to MaineDOT the right to enforce all manufacturer’s warranties or guarantees on the equipment.

The Vendor agrees that the warranty obligations provided by this Agreement shall be reported as an outstanding obligation in the event of bankruptcy, dissolution, or the sale, merger, or cessations of operations of the Vendor.

In the event of a breach of Vendor’s warranty obligations, MaineDOT shall notify Vendor in writing of the breach and grant Vendor 30 days to cure the breach. Should Vendor fail to cure the breach, MaineDOT may pursue whatever remedies may be available.

**F. DAMAGES**

Time is of the essence in the delivery of the equipment specified herein, and in event of delay(s) in the delivery of the equipment beyond the date set forth in the Agreement, or beyond authorized extensions thereof MaineDOT may impose liquidated damages. Because it is difficult to determine the actual amount of the damage by reason of such delay it is therefore agreed that the Vendor will pay the sum of five hundred twenty-five dollars (\$525.00) per unit for each calendar day(s) delay in delivery as liquidated damages and not as a penalty.

These damages shall be deducted from any monies due, or which may thereafter become due to the Vendor or may be recovered by through any lawful means.

**G. SET-OFF RIGHTS**

MaineDOT shall have all of its common law, equitable and statutory rights of set-off.

**H. FORCE MAJEURE**

Either party may be excused from performance under this Agreement to the extent the failure to perform is caused by acts of God or of the public enemy, fire, floods, epidemics, quarantine, restrictions, strikes, labor disputes, and freight embargos, or other causes beyond the party's reasonable control. In the event of such event of force majeure, the affected party shall provide the other party written notice of the cause of delay within fifteen (15) days from the beginning of any such delay. The time of performance shall be excused to extent of the duration of any such event of force majeure, or such period of time as may be mutually agreed upon by the parties.

**I. INDEMNIFICATION**

The Vendor shall indemnify and hold harmless MaineDOT and its officers, agents, and employees from and against any and all claims, liabilities, and costs, including reasonable attorney fees, for any or all injuries to persons or property or claims for money damages, including claims for violation of intellectual property rights, arising from the negligent acts or omissions of the Vendor, its employees or agents, officers or Subcontractors in the performance of work under this Agreement; provided, however, the Vendor shall not be liable for claims arising out of the negligent acts or omissions of MaineDOT, or for actions taken in reasonable reliance on written instructions of MaineDOT.

This indemnification provision shall survive any termination or expiration of the Agreement.

**J. DEFAULT, TERMINATION**

- i. MaineDOT reserves the right to terminate this Agreement or any part hereof, for its sole convenience. Thirty (30) days advance written notice shall be provided in the case of a termination for convenience. In the event of such termination, Vendor shall immediately stop all work hereunder and shall immediately cause any and all of its suppliers and subcontractors to cease work. Vendor shall be paid for all work on a percentage completed basis, as mutually agreed upon by the parties, up to the date of termination under this Paragraph 14.A.

- ii. MaineDOT shall have the right to terminate this Agreement in the event of a material breach or default by Vendor of its obligations hereunder that is not cured within thirty (30) days from the date of receipt by Vendor of written notice of such breach from MaineDOT. If the breach or default, by its nature, cannot be cured within such thirty (30) day period, then Vendor shall have such additional time (not to exceed thirty (30) additional days) as may be necessary to cure the breach or default, provided Vendor has exercised reasonable commercial efforts and taken appropriate action to begin cure of the breach or default within the initial thirty (30) day cure period.
- iii. MaineDOT shall have the right to terminate this Agreement immediately upon written notice to Vendor in the event (i) Vendor, or any director, officer or employee of Vendor assigned to this Project is convicted of a criminal offense directly related to information technology services; or (ii) proceedings in bankruptcy are commenced against Vendor or if a receiver is appointed and such case or proceeding shall continue undismissed, or unstayed and in effect, for a period of one hundred twenty (120) days. Notwithstanding the foregoing, if a conviction of an employee assigned to this Project, officer or director, relates to individual and/or personal actions of such employee, officer or director and not the policy or directive of Vendor and, upon such conviction, Vendor shall terminate or otherwise remove such employee, officer or director and take such other steps to reasonably ensure the propriety of Vendor' delivery of information technology services, then MaineDOT shall not have a right to terminate this Agreement pursuant to the foregoing clause (i) of this Section 14 (C).
- iv. Vendor shall have the right to terminate this Agreement in the event of a material breach or default by MaineDOT of its obligations hereunder that is not cured within thirty (30) days from the date of receipt by MaineDOT of written notice of such breach from Vendor. If the breach or default, by its nature, cannot be cured within such thirty (30) day period, then MaineDOT shall have such additional time (not to exceed thirty (30) additional days) as may be necessary to cure the breach or default, provided MaineDOT has exercised reasonable commercial efforts and taken appropriate actions to begin cure of the breach or default within the initial thirty (30) day cure period.
- v. Vendor shall cause the foregoing provisions to be inserted in any subcontract for any work covered by this Agreement so that such provisions shall be binding upon each subcontractor, provided that the foregoing provisions shall not apply to contracts or subcontracts for standard commercial supplies or raw materials.

#### **K. DELIVERY AND ACCEPTANCE**

Time is of the essence in the delivery of the equipment. The Vendor shall execute the work continuously and diligently. Delivery of the units shall occur in accordance with the terms and conditions outlined in the resulting Agreement.

- i. Production of the units shall be conducted as a continuous production with no breaks or inserts of other orders or types of equipment.
- ii. Delivery shall be restricted to Monday through Friday, between the hours of 8 AM and 4 PM.
- iii. The Vendor will contact MaineDOT Fleet Services 24 hrs. prior to delivery with an estimated time of arrival.
- iv. Units furnished under this Agreement shall be delivered in first class condition, complete and ready for operation, and the Vendor shall assume all costs, responsibilities, and risk of loss related to damage that may have occurred in the delivery of the units.
- v. When units are delivered, certificates or releases signed by representatives of MaineDOT Fleet Services are understood to be a simple acknowledgment of receipt of the units only, and will NOT constitute an acceptance of the condition of the units or their conformance with the terms and conditions of the Agreement specifications.
- vi. Upon delivery, MaineDOT may conduct such tests as may be required to determine to its own satisfaction that the units appear to be in conformance with the terms, conditions, and requirements of the Agreement specifications.

Acceptance shall occur following final inspection by authorized employees of MaineDOT Fleet Service, receipt of the titles and all requested documentation. The Vendor will be notified, in writing, of acceptance/non-acceptance within fifteen calendar (15) days of delivery to the location specified in this Agreement.

#### **L. RIGHT TO SUSPEND WORK**

MaineDOT has the right to suspend any or all work at any time for any reason as it deems necessary. Consultant may receive payment for the portion of services completed through the date of suspension.

#### **M. COPYRIGHT AND LICENSES - PATENTS AND COPYRIGHTS**

Data and publication rights to any documents, produced under the terms of Agreement are the property of MaineDOT. The Vendor shall not copyright the material produced under the terms of the Agreement without written approval of MaineDOT, except to the extent necessary to protect its rights pursuant to the following paragraph.

The Parties to this Agreement mutually agree that, if patentable discoveries, intellectual property and software, or inventions should result from work described therein, all rights accruing from such discoveries or inventions shall be the sole property of MaineDOT.

## **N. CLAIMS AND DISPUTES**

### **General**

To preserve any claim arising out of the Agreement, the Parties shall comply with and exhaust all provisions of this Section. Unless otherwise agreed to in writing, the Vendor shall continue to perform its services during any dispute resolution process. If the Vendor continues to perform, MaineDOT shall continue to make payments in accordance with the Agreement of amounts not in dispute.

### **Negotiation with MaineDOT's Fleet Representative**

The Vendor shall promptly notify MaineDOT's Fleet Representative, or their designee, in writing, of disputes that could significantly affect scope, schedule or compensation. After such notice, the Vendor and MaineDOT's Fleet Representative shall promptly negotiate in good faith to resolve the dispute. MaineDOT's Fleet Representative will promptly issue a decision.

### **Review by Director**

If the Vendor desires a review of MaineDOT's Fleet Representative's decision, then the Vendor shall promptly request in writing that MaineDOT's Director of the applicable Bureau or Office review the Fleet Representative's decision. The Director or its designee(s) shall promptly notify the Vendor in writing of the result of the review.

### **Dispute Resolution**

If the dispute remains unresolved after negotiation and review as set forth above, the Parties may proceed to mediation by selecting a mediator acceptable to both.

If the Parties are unable to resolve the dispute through mediation, either party may seek judicial review through a civil action commenced in the Superior Court of Maine, Kennebec County.

## **O. CONTROLLING LAWS**

The Agreement referred to in these Terms and Conditions is governed by the applicable laws of the Federal Government and the State of Maine.

### **Laws to Be Observed**

The Vendor shall comply with all applicable Federal, State and local laws, rules, regulations, orders, and ordinances affecting the work including, without limitation all environmental, wage, labor, equal opportunity, safety, patent, copyright, or trademark laws. The Vendor shall indemnify MaineDOT and hold MaineDOT harmless against any and all claims or liabilities arising from or based upon the violation or alleged violation of any such Law caused directly or indirectly by or through the Vendor.

**P. ENTIRE AGREEMENT/BINDING EFFECT/MODIFICATION/ASSIGNMENT**

This Agreement sets forth the entire agreement of the parties with regard to the subject herein. This Agreement may not be modified except by a written amendment executed by both parties.

Neither MaineDOT nor the Vendor may assign, sublet, or transfer any rights under or interest (including, but without limitation, monies that are due or may become due) in the Agreement without the written consent of the other, except to the extent that any assignment, subletting, or transfer is mandated or restricted by law. Unless specifically stated to the contrary in any written Consent To Assignment, no assignment shall release or discharge the assignor from any duty or responsibility under the Agreement.

**Q. SEVERABILITY**

The invalidity or unenforceability of any particular provision or part thereof of this Agreement shall not affect the remainder of said provision or any other provisions, and this Agreement shall be construed in all respects as if such invalid or unenforceable provision or part thereof had been omitted.

**R. NON-WAIVER**

If MaineDOT fails or refuses to enforce any provision in the Agreement that shall not constitute a waiver of that provision, nor shall it affect the enforceability of that provision or of the remainder of the Agreement.



**ATTACHMENT 1****SPECIAL BID INSTRUCTIONS AND REQUIREMENTS FOR VEHICLES AND/OR HIGHWAY MAINTENANCE EQUIPMENT AND ACCESSORIES BID SEPARATELY BUT DELIVERED AS A COMPLETED UNIT**

Timeliness in the delivery of the completed vehicles, potential ability and resources of the organization answering the bid and previous familiarity with the products will be an important factor in determining award of bid and quantity of units awarded. It is expected that the selected vendors or manufacturers will deliver a pre-determined number of units per week. Beginning and ending dates of delivery will be negotiated and finalized after award of bid at the pre-production meeting. A tentative delivery schedule for cab and chassis or completed vehicle delivery must be submitted with each bid and must be signed by the individual who is responsible to make such a commitment. Any bid submitted without a signed tentative delivery schedule may be rejected. Suppliers, dealers and/or vendors will be responsible for poor workmanship from the date the vehicle is placed in service. In addition, any vehicle returned to the supplier for adjustments, corrections or repairs due to poor workmanship (poor workmanship is defined as: anything that is less than what would be generally acceptable by the trade) will be fined as of the day the poor workmanship becomes evident, and until the correction is made and the vehicle returned to service, at a rate of \$50.00 per calendar day per vehicle and may be deducted from the retent or payment due for any completed unit. Any and all penalties may be waived at the discretion of Fleet Services. The attached specifications include the entire and complete vehicle as a unit, i.e., cab and chassis and all accessory equipment such as bodies, sanders, plows, plow gear, lights, controls, etc. It is expected that vehicle (cab and chassis) manufacturers and/or dealers submit a bid for the vehicle only, to the Bureau of Procurement Services. Please note that provisions may be required for clear frame and pre-punching for mounting accessories. Accessory equipment suppliers (bodies, plows, controls, etc.) will submit a bid for accessory equipment only, to the Bureau of Procurement Services. The purpose of sending complete vehicle and accessory equipment specifications to all interested parties is that they may familiarize themselves with the total requirements of the finished product. Upon approval of a pilot cab and chassis the vehicle supplier will drop ship vehicles to the selected accessory supplier for installation of plows, bodies, etc., and Fleet Services will, upon invoice and verification of delivery, pay for the units delivered minus a 10% retent. The accessory supplier will install all necessary accessories and perform any other work required to finish the complete unit and submit a pilot for review and approval by Fleet Services. When the finished units are completed, they will either be delivered to Fleet Services, Augusta or to the selling vehicle dealer if cab and chassis pre-delivery work is required. If pre-delivery work is required, the selling dealer will make final delivery to Fleet Services.

Proper assembly of the completed units is paramount to the correct operation and longevity of the equipment being purchased. Fleet Services will therefore require that a pre-production meeting be held at Fleet Services headquarters, between the representatives of Fleet Services, the selected dealer, all major component suppliers, if necessary, and the final assembler of the completed unit. This meeting will occur following award of bid and prior to assembly and acceptance of any pilot unit for each item as listed in the request for bid. Fleet Services, at its discretion, may waive any or all pre-production meetings.

Any or all accessory equipment required as part of this bid must be tested and certified by the installer or assembler of such equipment as fully operational and functional on the day of delivery to Fleet Services, MaineDOT. MaineDOT Fleet Services may, at its discretion and expense, station an inspector at the site or place of assembly of any or all of the accessory equipment, to test such equipment and inspect the workmanship involved before the completed unit leaves the place of final assembly. Any unit not passing the MaineDOT inspection must be corrected before delivery.

Since the continuous operation of the vehicle and/or equipment as specified is of the utmost importance and sometimes of an urgent nature, it is necessary that the successful bidder be in a position

to render prompt parts and if necessary, service. The successful dealer and accessory supplier must maintain and/or have a permanent presence and access to parts inventory within the State of Maine. The parts inventory shall be applicable to the vehicles and/or equipment supplied to the State of Maine and must be of sufficient quantity and variety to offer a level of parts availability of 95% within 48 hours from time of order by MaineDOT. Availability of normally expendable items such as filters, belts, hydraulic lines and hoses shall not exceed 24 hours. Bidder shall attach a proposed program for parts and service availability for evaluation. Review of the bidder's ability to provide prompt parts and service may be a determining factor in the award of bid. Upon award of bid and before delivery of vehicles or equipment MaineDOT must receive a complete list of parts containing part description, manufacturers part number etc. for the entire vehicle or equipment including any or all accessories which are supplied as part of the bid. This does not relieve the bidder from supplying repair or other manuals as required in the individual specification.

The manufacturer of the truck chassis and cab must furnish, as a minimum, the manufacturer's warranty, the dealer, vendor, or contractor supplying the accessory equipment must guarantee or provide a warranty in writing of all other items of allied equipment including but not limited to bodies, hoists, snow plow equipment, hydraulic systems and electronic/electrical controls against faulty workmanship and materials for a minimum period of one (1) year from the date the unit is placed in service by Fleet Services/MaineDOT. Replacement of faulty units, assemblies or parts shall be made by the dealer, vendor or contractor supplying the affected part, at no cost to Fleet Services/MaineDOT. All warranties and guarantees are to become effective the date the completed unit is placed in service by Fleet Services/MaineDOT. During the term of the manufacturer's warranty Fleet Services reserves the right to perform any and all warranty work "in house" to meet operational needs or demands with the exception of major engine, transmission and rear axle rebuild or repair. Fleet Services will recover all parts and labor cost (labor time as allowed by manufacturer's flat rate manual x Fleet Services standard labor rate at the time of repair) by billing the manufacturer, dealer or accessory supplier. Manufacturer's flat rate manual must be supplied at time of bid. O.E.M. parts may be supplied at no cost by the manufacturer or dealer for warranty service and will not be billed by Fleet Services, or may be purchased by Fleet Services on the open market to meet operational demands and billed to the dealer or accessory supplier. Any and all defective parts will be returned to the manufacturer or dealer upon request. Additionally, Fleet Services will perform no other paper work other than what is necessary for Fleet Services to track the cost of warranty repair through its own billing system. Manufacturers, dealers or vendors who are selected to supply any equipment, vehicles or accessories to Fleet Services, must place Fleet Services on a mailing list to provide warranty recalls and/or technical updates or service bulletins. Address this correspondence to the Fleet Services Manager's Office, 66 Industrial Drive Augusta, Maine 04330.

Vehicles and/or equipment will have land mobile radio transmitters installed after delivery. Antennas may be mounted on the roof, trunk lid, fenders or glass. Transceivers will operate in the following bands 30 to 50 MHz, 150-162 MHz and 450-470 MHz. All vehicle electronic circuits including but not limited to ignition, clocks, AM/FM radio receivers, computers, emission controls, electronic fuel systems and components, ABS brakes, air bags, plow and sander controls, alternators and regulators shall be designed or modified to suppress, bypass or otherwise prevent interference from affecting the mobile two-way radio transceiver. Also, the vehicle's electronic equipment shall be unaffected by the radio frequency energy generated and radiated by the transmitter portion of installed transceivers. No vehicle system and/or accessory shall operate and/or fail to operate as a result of the activation of the radio transmitter in any manner which may constitute a safety hazard. Either before or after final acceptance any vehicle or equipment which does not meet these requirements may be rejected in whole or returned for correction at no cost. Radio receiver sensitivity is 0.30 micro volts for 12db of SINAD. The radio transmitter power output will be 60 watts RMS into a 50 Ohm antenna mounted on the vehicle. Testing of radio performance will be done per Motorola communication specification "Measuring Effective Sensitivity" method. MaineDOT Radio Communication Maintenance group will perform the testing and acceptance.