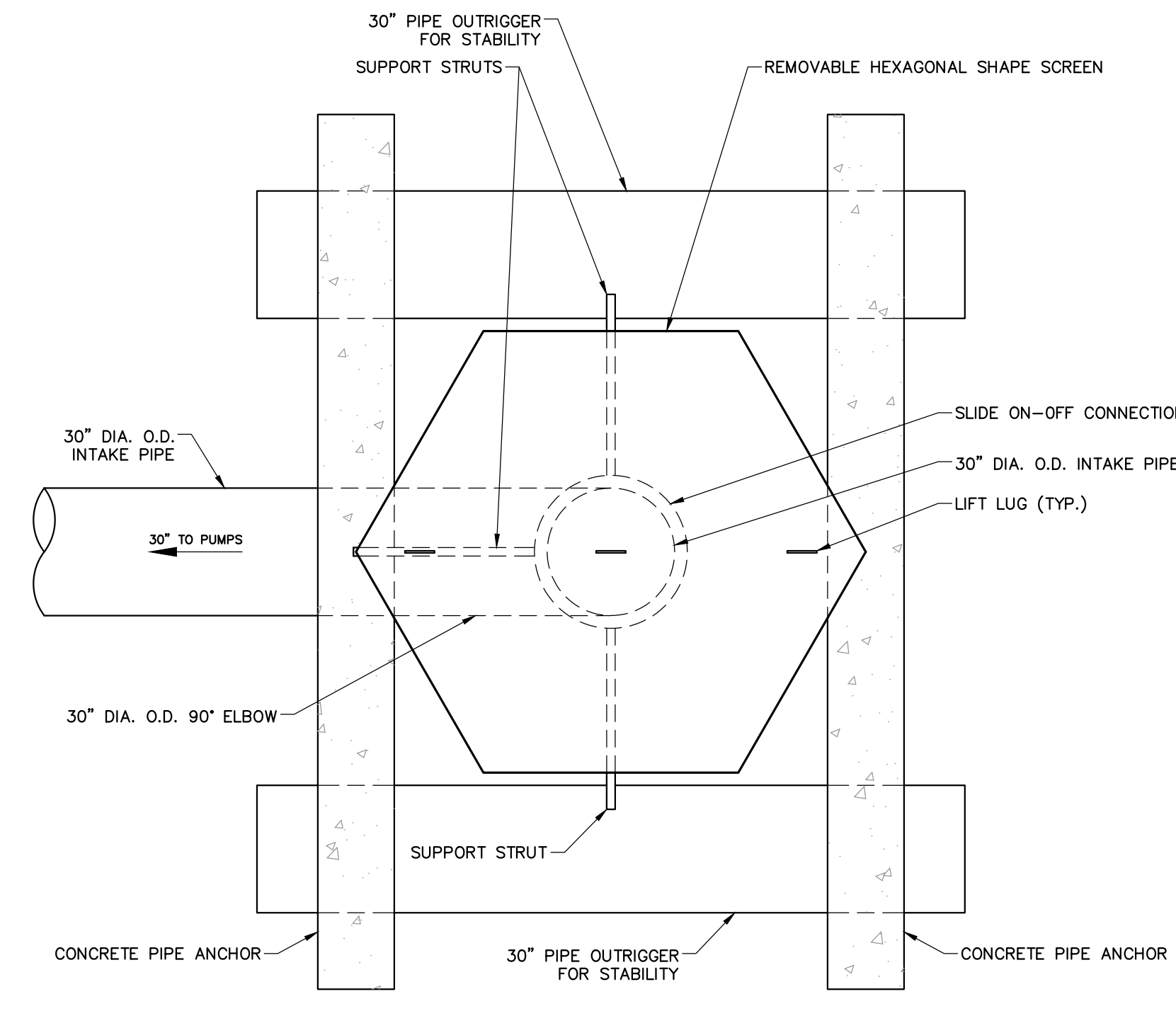
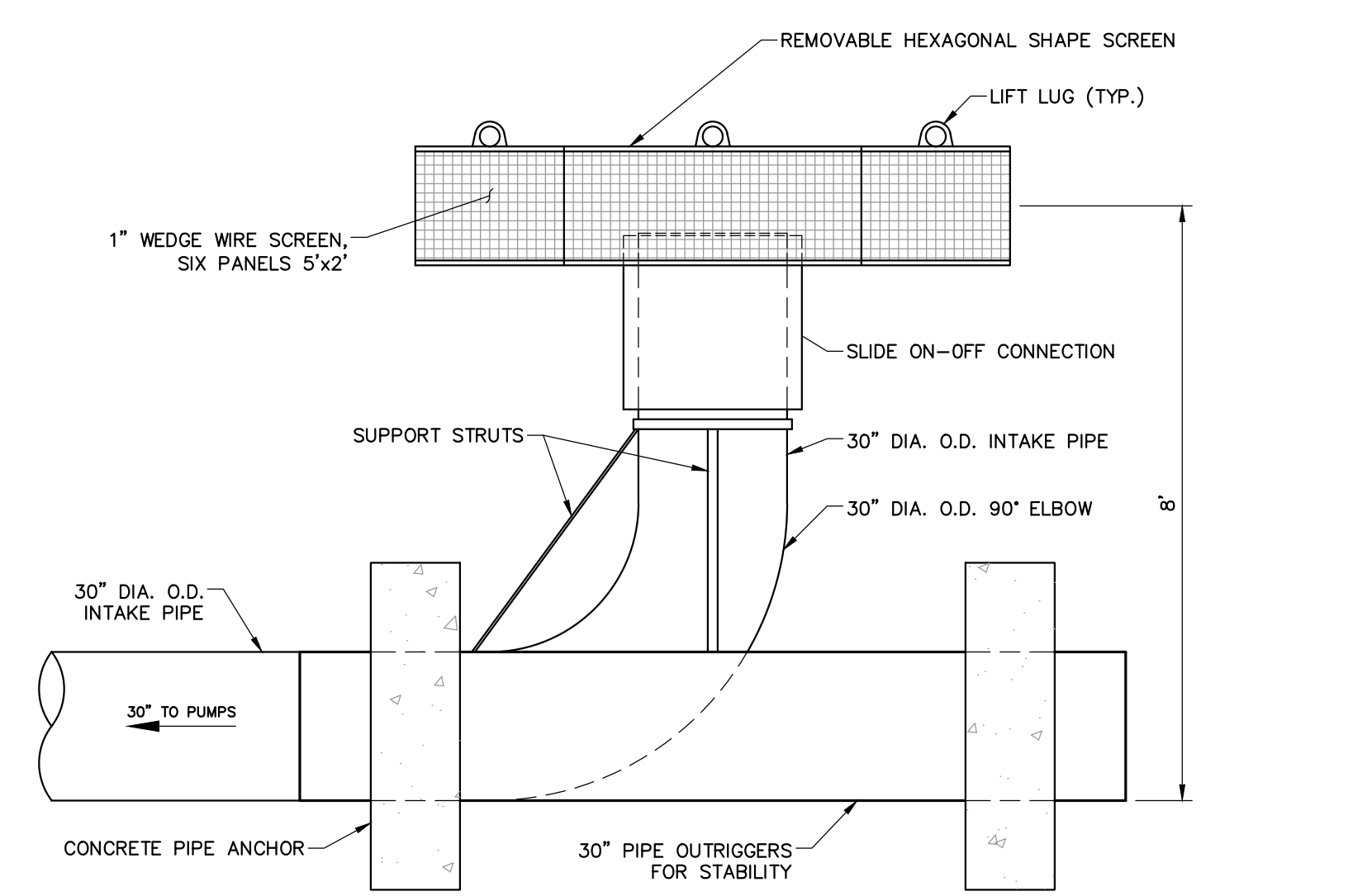


5 BURIED 3-PIPE TRENCH DETAIL (LAND)
SCALE: 1" = 2'

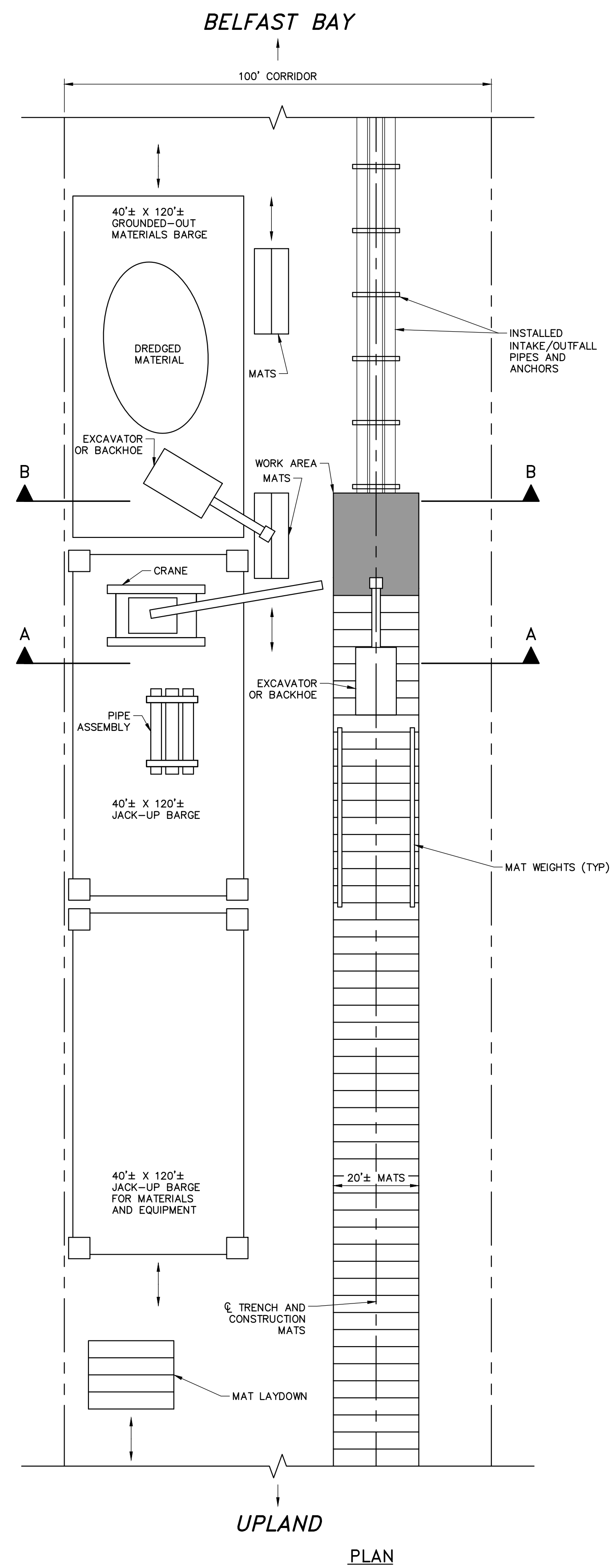


PLAN



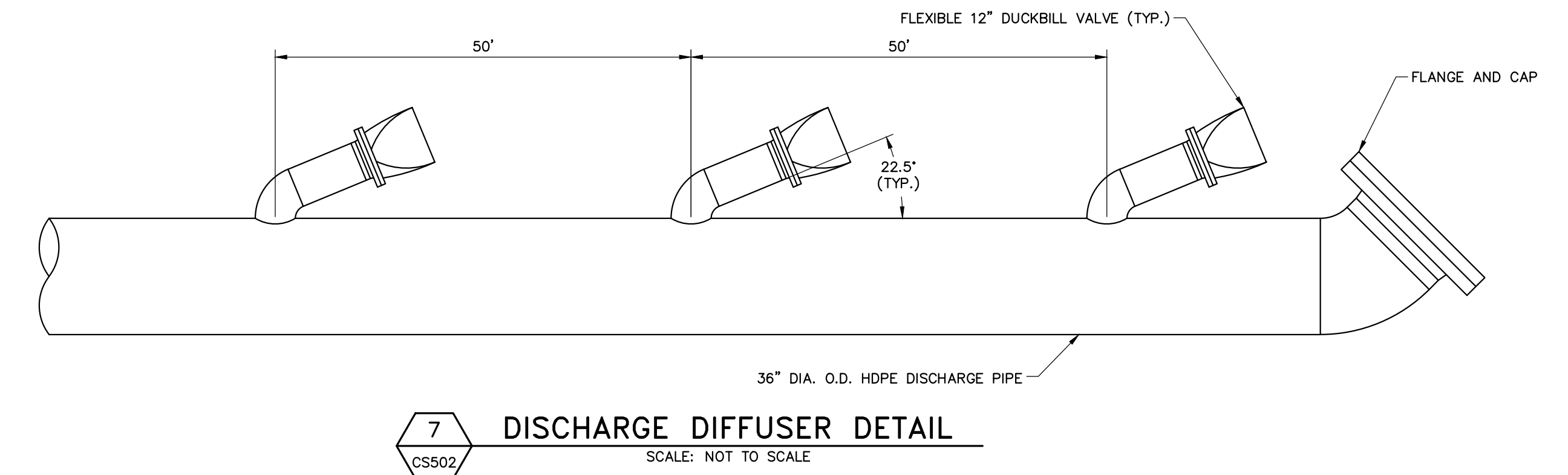
SECTION

6 INTAKE STRUCTURE DETAIL
SCALE: NOT TO SCALE

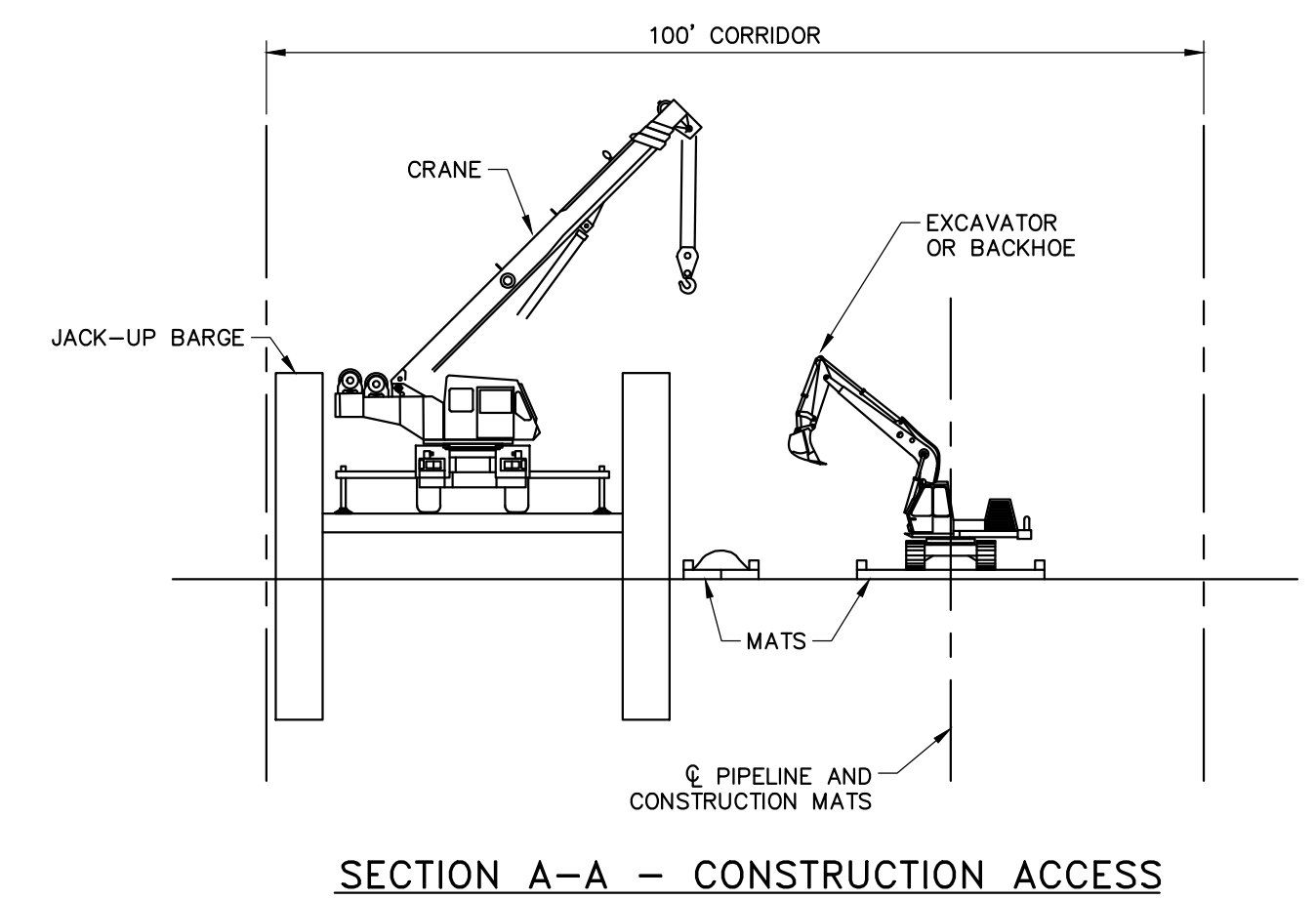


PLAN

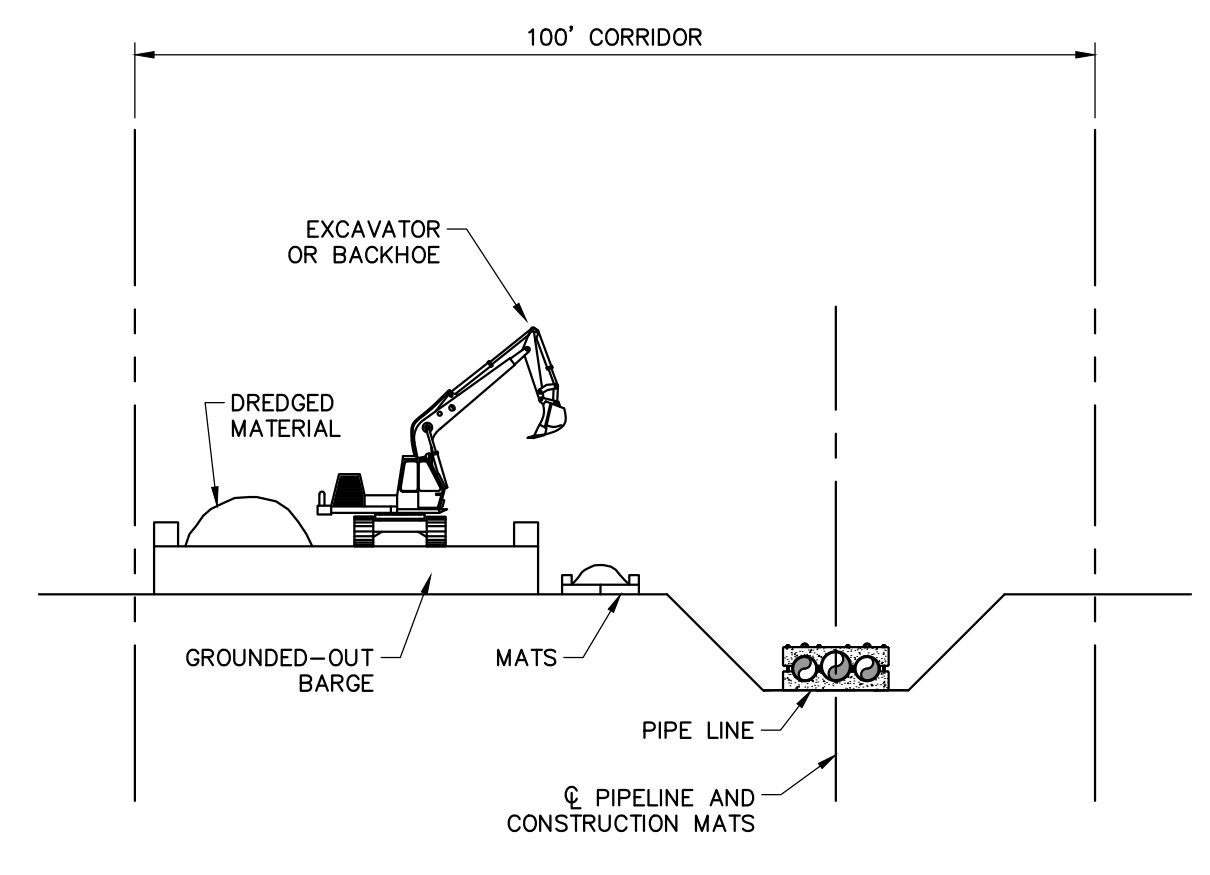
7A INTERTIDAL ZONE CONSTRUCTION DETAIL
SCALE: NOT TO SCALE



7 DISCHARGE DIFFUSER DETAIL
SCALE: NOT TO SCALE



SECTION A-A - CONSTRUCTION ACCESS



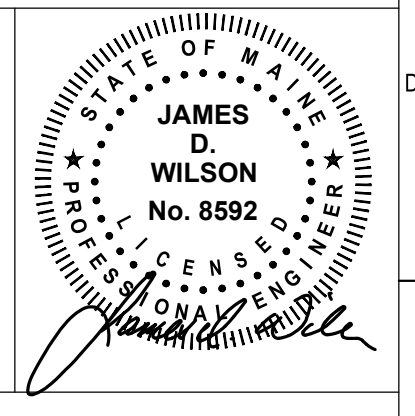
SECTION B-B - OPEN TRENCH

RANSOM Consulting Engineers and Scientists

WOODARD & CURRAN
41 Hutchins Drive
Portland, Maine 04102
800.426.4262 | www.woodardcurran.com
COMMITMENT & INTEGRITY DRIVE RESULTS

REV	DESCRIPTION	DATE

REVISED FOR PERMIT 12-30-19
CURRENT ISSUE STATUS:



TRUE NORTH:
SMRT Architects and Engineers
144 Fore Street, PO Box 618
Portland, Maine 04104

ARCHITECTURE | ENGINEERING | PLANNING | INTERIORS | ENERGY **SMRT**

NORDIC AQUAFARMS

BELFAST, MAINE

CIVIL DETAILS -2

PROJECT MANAGER: PROJECT NO: 18076

JOB CAPTAIN: **CS502**

NOT FOR CONSTRUCTION