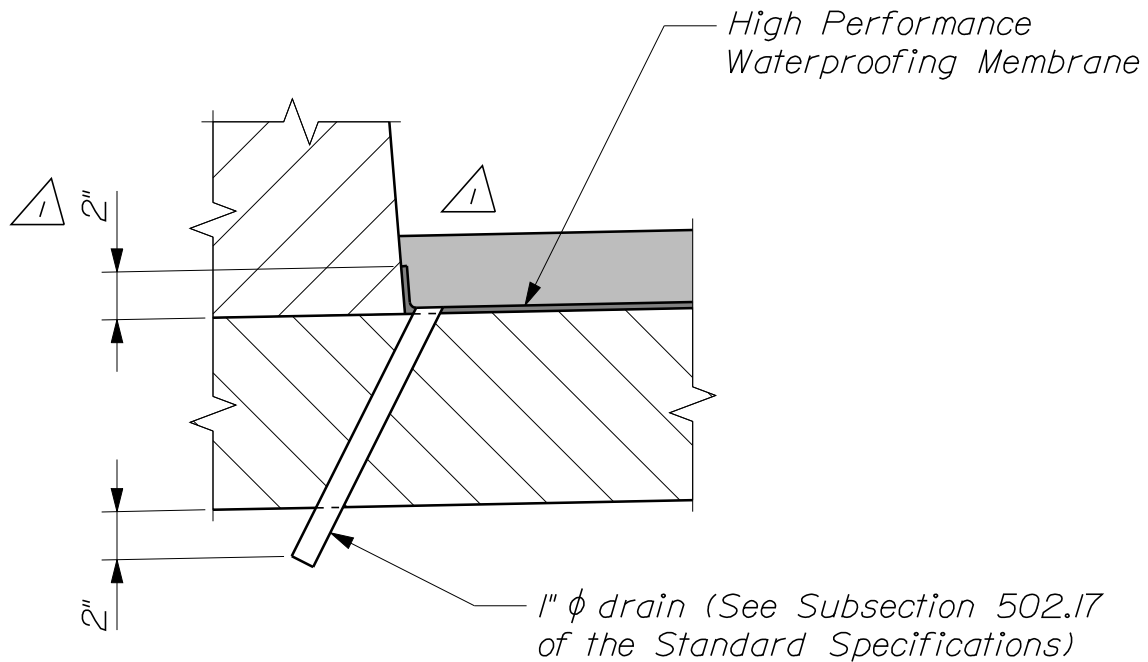


~ CURB WITH BITUMINOUS WEARING SURFACE ~
 * 3" Hot Mix Asphalt + 1/4" (nom.) High Performance Waterproofing Membrane



~ GUTTER DETAIL FOR BITUMINOUS W. S. ~