



STATE OF MAINE  
DEPARTMENT OF TRANSPORTATION  
16 STATE HOUSE STATION  
AUGUSTA, MAINE  
04333-0016

JOHN ELIAS BALDACCI  
GOVERNOR

DAVID A. COLE  
COMMISSIONER

May 13, 2008  
Subject: **Norridgewock**  
Project No. BH-6900(01) X  
Pin No.006900.01  
**Amendment No.5**

Dear Sir/Ms:

Make the following changes to the Bid Documents:

In the Bid Book; **REMOVE** the "SCHEDULE OF ITEMS", pages 3 through 18 dated 080408. **REPLACE** with the attached, new "SCHEDULE OF ITEMS"18 pages dated 080513.

In the Plans; **REMOVE** Plan Sheet 2 of 134, "ESTIMATED QUANTATIES" 1 page. **REPLACE** with the attached (half and full size plans will be mailed or Fedexed to registered planholders), new Plan Sheet 2 of 134, "ESTIMATED QUANTATIES" 1 page.

In the Plans; **REMOVE** Plan Sheet 27 of 134, "HIGHWAY LIGHTING PLAN" and **REPLACE** with the attached (half and full size plans will be mailed or Fedexed to registered planholders) new Plan Sheet 27 of 134, "LIGHTING PLAN"1 page dated 5/6/08.

In the Plans; **ADD** the attached "BRIDGE LIGHTING DETAILS" 8 pages dated 5/6/08 (8 1/2" X 11" only).

Consider these changes and information prior to submitting your bid on **May 21, 2008**.

Sincerely,

*For* Scott Bickford  
Contracts & Specifications Engineer



PRINTED ON RECYCLED PAPER

MAINE DEPARTMENT OF TRANSPORTATION

BID

DATE OF OPENING :

CALL ORDER :

CONTRACT ID : 006900.01

PROJECTS

-----

BH-6900(01)X

COUNTY : SOMERSET

CONTRACT ID : 006900.01

NORRIDGEWOCK, BRIDGE REPLACEMENT. WORK INCLUDES COVERED  
BRIDGE REPLACEMENT REPLACEMENT AND OTHER INCIDENTAL WORK.

SITE	CONTRACT TIME	LIQUIDATED DAMAGES
CONTRACT	10/01/11	\$ 1875.00

FOLLOWING GROUPS ARE ALTERNATES :

- GROUP AN1 ROCK SOCKETED PILES ALTERNATE
- GROUP AN2 DEEP BEDROCK SEAL ALTERNATE

FOLLOWING ITEMS ARE ALTERNATES :

BIDDERS MUST ENTER ALL UNIT PRICES, MAKE ALL EXTENSIONS AND TOTAL THE BID.

SCHEDULE OF ITEMS

CONTRACT ID: 006900.01

PROJECT(S): BH-6900(01)X

CONTRACTOR :

LINE NO	ITEM DESCRIPTION	APPROX. QUANTITY AND UNITS	UNIT PRICE		BID AMOUNT	
			DOLLARS	CTS	DOLLARS	CTS
SECTION 0001 COMMON PROJECT ITEMS						
0010	202.15 REMOVING MANHOLE OR CATCH BASIN	6.000 EA				
0020	202.19 REMOVING EXISTING BRIDGE	LUMP	LUMP			
0030	203.20 COMMON EXCAVATION	4426.000 CY				
0040	203.24 COMMON BORROW	10.000 CY				
0050	203.25 GRANULAR BORROW	655.000 CY				
0060	206.061 STRUCTURAL EARTH EXCAVATION - DRAINAGE AND MINOR STRUCTURES, BELOW GRADE	10.000 CY				
0070	206.082 STRUCTURAL EARTH EXCAVATION - MAJOR STRUCTURES	605.000 CY				
0080	304.08 AGGREGATE BASE COURSE - SCREENED	3800.000 CY				
0090	304.10 AGGREGATE SUBBASE COURSE - GRAVEL	1975.000 CY				
0100	403.207 HOT MIX ASPHALT 19.0 MM HMA	480.000 T				

SCHEDULE OF ITEMS

REVISED:

CONTRACT ID: 006900.01

PROJECT(S): BH-6900(01)X

CONTRACTOR :

LINE NO	ITEM DESCRIPTION	APPROX. QUANTITY AND UNITS	UNIT PRICE		BID AMOUNT	
			DOLLARS	CTS	DOLLARS	CTS
0110	403.209 HOT MIX ASPHALT 9.5 MM HMA (SIDEWALKS, DRIVES, INCIDENTALS)	160.000 T				
0120	403.210 HOT MIX ASPHALT 9.5 MM HMA	1610.000 T				
0130	403.213 HOT MIX ASPHALT 12.5 MM HMA BASE	460.000 T				
0140	403.325 HIGH PERFORMANCE RUBBERIZED ASPHALT	37.000 T				
0150	409.15 BITUMINOUS TACK COAT - APPLIED	470.000 G				
0160	501.231 DYNAMIC LOADING TEST	6.000 EA				
0170	501.46 STEEL H-BEAM PILES 73 LBS/FT, DELIVERED	2760.000 LF				
0180	501.461 STEEL H-BEAM PILES 73 LBS/FT, IN PLACE	2540.000 LF				
0190	501.90 PILE TIPS	38.000 EA				
0200	501.91 PILE SPLICES	38.000 EA				
0210	501.92 PILE DRIVING EQUIPMENT MOBILIZATION	LUMP	LUMP			

SCHEDULE OF ITEMS

REVISED:

CONTRACT ID: 006900.01

PROJECT(S): BH-6900(01)X

CONTRACTOR :

LINE NO	ITEM DESCRIPTION	APPROX. QUANTITY AND UNITS	UNIT PRICE		BID AMOUNT	
			DOLLARS	CTS	DOLLARS	CTS
0220	502.219 STRUCTURAL CONCRETE, ABUTMENTS AND RETAINING WALLS	LUMP	LUMP			
0230	502.239 STRUCTURAL CONCRETE PIERS	LUMP	LUMP			
0240	502.261 STRUCTURAL CONCRETE ROADWAY & SIDEWALK SLAB ON CONCRETE BRIDGE	LUMP	LUMP			
0250	502.31 STRUCTURAL CONCRETE APPROACH SLABS	LUMP	LUMP			
0260	502.38 STRUCTURAL CONCRETE ARCH TYPE	LUMP	LUMP			
0270	502.381 STRUCTURAL CONCRETE TIE GIRDER	LUMP	LUMP			
0280	502.431 STRUCTURAL CONCRETE BEAM	LUMP	LUMP			
0290	502.49 STRUCTURAL CONCRETE CURBS AND SIDEWALK	LUMP	LUMP			
0300	503.12 REINFORCING STEEL, FABRICATED AND DELIVERED	LB 660640.000				
0310	503.13 REINFORCING STEEL, PLACING	LB 660640.000				
0320	507.0841 STEEL PIPE HAND RAILING	LUMP	LUMP			

SCHEDULE OF ITEMS

CONTRACT ID: 006900.01

PROJECT(S): BH-6900(01)X

CONTRACTOR :

LINE NO	ITEM DESCRIPTION	APPROX. QUANTITY AND UNITS	UNIT PRICE		BID AMOUNT	
			DOLLARS	CTS	DOLLARS	CTS
0330	508.14 HIGH PERFORMANCE WATERPROOFING MEMBRANE	LUMP	LUMP			
0340	510.10 SPECIAL DETOUR ROADWAY WIDTH VEHICULAR & PEDESTRIAN TRAFFIC NOT SEPARATED 24'	LUMP	LUMP			
0350	512.081 FRENCH DRAINS	LUMP	LUMP			
0360	514.06 CURING BOX FOR CONCRETE CYLINDERS	EA 1.000				
0370	515.21 PROTECTIVE COATING FOR CONCRETE SURFACES	LUMP	LUMP			
0380	520.21 EXPANSION DEVICE - GLAND SEAL	EA 2.000				
0390	523.52 BEARING INSTALLATION	EA 28.000				
0400	523.5401 LAMINATED ELASTOMERIC BEARINGS, FIXED	EA 24.000				
0410	523.5404 LAMINATED ELASTOMERIC BEARINGS, EXPANSION SPAN 2	EA 4.000				
0420	525.72 EXTERIOR BENCH CAPS	EA 12.000				

SCHEDULE OF ITEMS

REVISED:

CONTRACT ID: 006900.01

PROJECT(S): BH-6900(01)X

CONTRACTOR :

LINE NO	ITEM DESCRIPTION	APPROX. QUANTITY AND UNITS	UNIT PRICE		BID AMOUNT	
			DOLLARS	CTS	DOLLARS	CTS
0430	525.73 INTERIOR BENCH UNITS	8.000 EA				
0440	525.74 INTERPRETIVE SIGN BASE	2.000 EA				
0450	526.324 TEXAS CLASSIC RAIL - MODIFIED 1246.00 LF	LUMP	LUMP			
0460	535.61 PRESTRESSED STRUCTURAL CONCRETE I-GIRDERS	LUMP	LUMP			
0470	535.62 PRESTRESSED STRUCTURAL CONCRETE BOX BEAM	LUMP	LUMP			
0480	535.64 POST TENSIONING SYSTEM	LUMP	LUMP			
0490	535.65 STRUCTURAL STRAND HANGER SYSTEM	LUMP	LUMP			
0500	603.159 12 INCH CULVERT PIPE OPTION III	122.000 LF				
0510	603.16 15 INCH CULVERT PIPE OPTION I	72.000 LF				
0520	603.169 15 INCH CULVERT PIPE OPTION III	192.000 LF				
0530	603.179 18 INCH CULVERT PIPE OPTION III	22.000 LF				



SCHEDULE OF ITEMS

REVISED:

CONTRACT ID: 006900.01

PROJECT(S): BH-6900(01)X

CONTRACTOR :

LINE NO	ITEM DESCRIPTION	APPROX. QUANTITY AND UNITS	UNIT PRICE		BID AMOUNT	
			DOLLARS	CTS	DOLLARS	CTS
0540	603.19 24 INCH CULVERT PIPE OPTION I	48.000 LF				
0550	603.199 24 INCH CULVERT PIPE OPTION III	206.000 LF				
0560	603.42 30 INCH REINFORCED CONCRETE PIPE CLASS IV	14.000 LF				
0570	604.072 CATCH BASIN TYPE A1-C	7.000 EA				
0580	604.15 MANHOLE	2.000 EA				
0590	604.164 REBUILDING CATCH BASIN	1.000 EA				
0600	604.249 CATCH BASIN TYPE F6-C	2.000 EA				
0610	604.252 CATCH BASIN TYPE A5-C	2.000 EA				
0620	604.31 DRYWELL CATCH BASIN	1.000 EA				
0630	605.09 6 INCH UNDERDRAIN TYPE B	174.000 LF				
0640	605.11 12 INCH UNDERDRAIN TYPE C	132.000 LF				

SCHEDULE OF ITEMS

REVISED:

CONTRACT ID: 006900.01

PROJECT(S): BH-6900(01)X

CONTRACTOR :

LINE NO	ITEM DESCRIPTION	APPROX. QUANTITY AND UNITS	UNIT PRICE		BID AMOUNT	
			DOLLARS	CTS	DOLLARS	CTS
0650	605.12 15 INCH UNDERDRAIN TYPE C	104.000 LF				
0660	605.13 18 INCH UNDERDRAIN TYPE C	328.000 LF				
0670	606.1721 BRIDGE TRANSITION - TYPE 1	3.000 EA				
0680	606.23 GUARDRAIL TYPE 3C - SINGLE RAIL	288.000 LF				
0690	606.231 GUARDRAIL TYPE 3C - 15 FOOT RADIUS AND LESS	25.000 LF				
0700	606.232 GUARDRAIL TYPE 3C - OVER 15 FOOT RADIUS	25.000 LF				
0710	606.265 TERMINAL END - SINGLE RAIL - GALVANIZED STEEL	2.000 EA				
0720	606.353 REFLECTORIZED FLEXIBLE GUARDRAIL MARKER	6.000 EA				
0730	606.48 SINGLE GALVANIZED STEEL POST	3.000 EA				
0740	606.61 STEEL - BACKED TIMBER GUARDRAIL	24.000 LF				
0750	606.79 GUARDRAIL 350 FLARED TERMINAL	1.000 EA				

SCHEDULE OF ITEMS

REVISED:

CONTRACT ID: 006900.01

PROJECT(S): BH-6900(01)X

CONTRACTOR :

LINE NO	ITEM DESCRIPTION	APPROX. QUANTITY AND UNITS	UNIT PRICE		BID AMOUNT	
			DOLLARS	CTS	DOLLARS	CTS
0760	607.22 CEDAR RAIL FENCE	160.000 LF				
0770	607.24 REMOVE AND RESET FENCE	116.000 LF				
0780	607.25 REMOVE AND RESET CHAIN LINK FENCE	166.000 LF				
0790	608.29 GRANITE WITH STONE DUST BASE	50.000 SY				
0800	609.11 VERTICAL CURB TYPE 1	1230.000 LF				
0810	609.12 VERTICAL CURB TYPE 1 - CIRCULAR	185.000 LF				
0820	609.234 TERMINAL CURB TYPE 1 - 4 FOOT	17.000 EA				
0830	609.237 TERMINAL CURB TYPE 1 - 7 FOOT	8.000 EA				
0840	609.2371 TERMINAL CURB TYPE 1- 7 FT - CIRCULAR	7.000 EA				
0850	609.31 CURB TYPE 3	300.000 LF				
0860	609.34 CURB TYPE 5	122.000 LF				

SCHEDULE OF ITEMS

REVISED:

CONTRACT ID: 006900.01

PROJECT(S): BH-6900(01)X

CONTRACTOR :

LINE NO	ITEM DESCRIPTION	APPROX. QUANTITY AND UNITS	UNIT PRICE		BID AMOUNT	
			DOLLARS	CTS	DOLLARS	CTS
0870	609.35 CURB TYPE 5 - CIRCULAR	34.000 LF				
0880	610.08 PLAIN RIPRAP	840.000 CY				
0890	610.18 STONE DITCH PROTECTION	17.000 CY				
0900	613.319 EROSION CONTROL BLANKET	59.000 SY				
0910	615.07 LOAM	380.000 CY				
0920	618.13 SEEDING METHOD NUMBER 1	28.000 UN				
0930	618.1401 SEEDING METHOD NUMBER 2 - PLAN QUANTITY	6.000 UN				
0940	619.12 MULCH	35.000 UN				
0950	619.1401 EROSION CONTROL MIX	760.000 CY				
0960	620.58 EROSION CONTROL GEOTEXTILE	65.000 SY				
0970	621.025 EVERGREEN TREES (3 FOOT - 4 FOOT) GROUP A	12.000 EA				

SCHEDULE OF ITEMS

REVISED:

CONTRACT ID: 006900.01

PROJECT(S): BH-6900(01)X

CONTRACTOR :

LINE NO	ITEM DESCRIPTION	APPROX. QUANTITY AND UNITS	UNIT PRICE		BID AMOUNT	
			DOLLARS	CTS	DOLLARS	CTS
0980	621.026 EVERGREEN TREES (3 FOOT - 4 FOOT) GROUP B	EA 6.000				
0990	621.038 EVERGREEN TREES (5 FOOT - 6 FOOT) GROUP B	EA 6.000				
1000	621.046 EVERGREEN TR (8' - 10') GP A	EA 6.000				
1010	621.048 EVERGREEN TR (8' - 9') GP C	EA 2.000				
1020	621.126 SMALL DECIDUOUS TREES (6 FOOT - 8 FOOT) GROUP A	EA 12.000				
1030	621.195 MEDIUM DECIDUOUS TREE (1.75 INCH - 2 INCH CALIPER) GROUP A	EA 6.000				
1040	621.255 LARGE DECIDUOUS TREES (8 FOOT - 10 FOOT) GROUP A	EA 6.000				
1050	621.262 LARGE DECIDUOUS TREES (10 FOOT - 12 FOOT) GROUP B	EA 6.000				
1060	621.273 LARGE DECIDUOUS TREE (2 INCH - 2.50 INCH CALIPER) GROUP A	EA 12.000				
1070	621.275 LARGE DECIDUOUS TREE (2 INCH - 2.50 INCH CALIPER) GROUP C	EA 6.000				
1080	621.285 LARGE DECIDUOUS TREE (3 INCH - 3.50 INCH CALIPER) GROUP A	EA 3.000				

SCHEDULE OF ITEMS

REVISED:

CONTRACT ID: 006900.01

PROJECT(S): BH-6900(01)X

CONTRACTOR :

LINE NO	ITEM DESCRIPTION	APPROX. QUANTITY AND UNITS	UNIT PRICE		BID AMOUNT	
			DOLLARS	CTS	DOLLARS	CTS
1090	621.401 DWARF EVERGREENS (2 FOOT - 2.50 FOOT) GROUP A	EA 12.000				
1100	621.546 DECIDUOUS SHRUBS (2 FOOT - 3 FOOT) GROUP A	EA 36.000				
1110	621.547 DECIDUOUS SHRUBS (2 FOOT - 3 FOOT) GROUP B	EA 66.000				
1120	621.559 DECIDUOUS SHRUBS (4 FOOT - 5 FOOT) GROUP B	EA 6.000				
1130	621.71 HERBACEOUS PERENNIALS GROUP A	EA 120.000				
1140	621.711 HERBACEOUS PERENNIALS GROUP B	EA 132.000				
1150	621.80 ESTABLISHMENT PERIOD TWO YEAR MAINTENANCE	LUMP	LUMP			
1160	627.18 12 " SOLID WHITE PAVEMENT MARKING	LF 120.000				
1170	627.711 WHITE OR YELLOW PAINTED PAVEMENT MARKING LINE (PLAN QUANTITY)	LF 8350.000				
1180	627.75 WHITE OR YELLOW PAVEMENT AND CURB MARKING	SF 500.000				
1190	629.05 HAND LABOR, STRAIGHT TIME	HR 80.000				

SCHEDULE OF ITEMS

REVISED:

CONTRACT ID: 006900.01

PROJECT(S): BH-6900(01)X

CONTRACTOR :

LINE NO	ITEM DESCRIPTION	APPROX. QUANTITY AND UNITS	UNIT PRICE		BID AMOUNT	
			DOLLARS	CTS	DOLLARS	CTS
1200	631.12 ALL PURPOSE EXCAVATOR (INCLUDING OPERATOR)	120.000 HR				
1210	631.14 GRADER (INCLUDING OPERATOR)	24.000 HR				
1220	631.15 ROLLER, EARTH AND BASE COURSE (INCLUDING OPERATOR )	24.000 HR				
1230	631.172 TRUCK - LARGE (INCLUDING OPERATOR)	120.000 HR				
1240	634.16 HIGHWAY LIGHTING	LUMP	LUMP			
1250	634.2041 LUMINAIRES	8.000 EA				
1260	634.2043 LUMINAIRES - HORIZONTAL SPOT	20.000 EA				
1270	634.21 CONVENTIONAL LIGHT STANDARD	4.000 EA				
1280	635.14 PREFABRICATED CONCRETE MODULAR GRAVITY WALL	575.000 SF				
1290	638.01 EMBEDDED WORK IN STRUCTURE	LUMP	LUMP			
1300	639.18 FIELD OFFICE TYPE A	1.000 EA				

SCHEDULE OF ITEMS

REVISED:

CONTRACT ID: 006900.01

PROJECT(S): BH-6900(01)X

CONTRACTOR :

LINE NO	ITEM DESCRIPTION	APPROX. QUANTITY AND UNITS	UNIT PRICE		BID AMOUNT	
			DOLLARS	CTS	DOLLARS	CTS
1310	652.38 FLAGGER	500.000 HR				
1320	652.39 WORK ZONE TRAFFIC CONTROL	LUMP	LUMP			
1330	656.75 TEMPORARY SOIL EROSION AND WATER POLLUTION CONTROL	LUMP	LUMP			
1340	659.10 MOBILIZATION	LUMP	LUMP			
1350	660.21 ON-THE-JOB TRAINING (BID)	6000.000 HR				
1360	812.162 ADJUSTING SEWER MANHOLE TO GRADE	3.000 EA				
1370	812.164 REBUILDING SEWER MANHOLE	3.000 EA				
1380	823.332 GATE VALVE BOX, ADJUST TO GRADE	7.000 EA				
	SECTION 0001 TOTAL					.

SECTION 0002 ROCK SOCKETED PILES ALTERNATE  
ALT GROUP AN1

1390	206.10 STRUCTURAL EARTH EXCAVATION - PIERS	1055.000 CY				
------	--	----------------	--	--	--	--



SCHEDULE OF ITEMS

REVISED:

CONTRACT ID: 006900.01

PROJECT(S): BH-6900(01)X

CONTRACTOR :

LINE NO	ITEM DESCRIPTION	APPROX. QUANTITY AND UNITS	UNIT PRICE		BID AMOUNT	
			DOLLARS	CTS	DOLLARS	CTS
1400	501.231 DYNAMIC LOADING TEST	8.000 EA				
1410	501.49 STEEL H-BEAM PILES 84 LBS/FT, DELIVERED	1040.000 LF				
1420	501.491 STEEL H-BEAM PILES 84 LBS/FT, IN PLACE	1040.000 LF				
1430	501.70 STEEL PIPE PILES, DELIVERED	2340.000 LF				
1440	501.701 STEEL PIPE PILES, IN PLACE	2132.000 LF				
1450	501.802 ROCK SOCKET	520.000 LF				
1460	501.902 PIPE PILE - CUTTING TEETH	52.000 EA				
1470	501.91 PILE SPLICES	65.000 EA				
1480	501.921 PILE DRIVING EQUIPMENT MOBILIZATION - PIERS	LUMP	LUMP			
1490	502.24 STRUCTURAL CONCRETE PIERS (PLACED UNDER WATER)	1055.000 CY				
1500	511.07 COFFERDAM: PIER NO.1	LUMP	LUMP			

SCHEDULE OF ITEMS

REVISED:

CONTRACT ID: 006900.01

PROJECT(S): BH-6900(01)X

CONTRACTOR :

LINE NO	ITEM DESCRIPTION	APPROX. QUANTITY AND UNITS	UNIT PRICE		BID AMOUNT	
			DOLLARS	CTS	DOLLARS	CTS
1510	511.07 COFFERDAM: PIER NO.2	LUMP	LUMP			
1520	832.071 CONTRACTOR ALLOWANCE	LUMP	LUMP		4000	.00
	SECTION 0002 TOTAL					.

SECTION 0003 DEEP BEDROCK SEAL ALTERNATE  
ALT GROUP AN2

1530	206.10 STRUCTURAL EARTH EXCAVATION - PIERS	CY 3380.000				
1540	206.11 STRUCTURAL ROCK EXCAVATION - PIERS	CY 250.000				
1550	502.24 STRUCTURAL CONCRETE PIERS (PLACED UNDER WATER)	CY 3400.000				
1560	511.07 COFFERDAM: PIER NO.1	LUMP	LUMP			
1570	511.07 COFFERDAM: PIER NO.2	LUMP	LUMP			
1580	832.071 CONTRACTOR ALLOWANCE	LUMP	LUMP		12800	.00
	SECTION 0003 TOTAL					
	TOTAL BID					



Date: 5/13/2008

User name: michelle.boone

Division: BRIDGE

Filename: ... \002\_Estimated Quantities.dgn

ESTIMATED QUANTITIES			
ITEM NO.	DESCRIPTION	QUANTITY	UNIT
202.15	REMOVING EXISTING MANHOLE OR CATCH BASIN	6	EA
202.19	REMOVING EXISTING BRIDGE	6425	1 LS (CY)
203.20	COMMON EXCAVATION	4426	CY
203.24	COMMON BORROW	10	CY
203.25	GRANULAR BORROW	655	CY
206.061	STRUCT. EARTH EXC. - DRAIN AND MINOR STRUCT. BELOW GR.	10	CY
206.082	STRUCTURAL EARTH EXCAVATION-MAJOR STRUCTURES	605	CY
304.08	AGGREGATE SUBBASE COURSE-SCREENED	3800	CY
304.10	AGGREGATE SUBBASE COURSE GRAVEL	1975	CY
403.207	HOT MIX ASPHALT, 19 MM NOMINAL MAXIMUM SIZE	480	TON
403.209	HOT MIX ASPHALT, 9.5 MM NOM. MAX. SIZE, (SDWLK, DRV. & INC.)	160	TON
403.210	HOT MIX ASPHALT, 9.5 MM NOMINAL MAXIMUM SIZE	1610	TON
403.213	HOT MIX ASPHALT, 12.5 MM NOMINAL MAXIMUM SIZE, BASE	460	TON
403.325	HIGH PERFORMANCE RUBERIZED ASPHALT PAVEMENT, 9.5 MM	37	TON
409.15	BITUMINOUS TACK COAT APPLIED	470	GAL
501.231	DYNAMIC LOADING TEST	6	EA
501.46	STEEL H-BEAM PILES 73 LB/FT, DELIVERED (ABUTMENTS)	2760	LF
501.461	STEEL H-BEAM PILES 73 LB/FT, IN PLACE (ABUTMENTS)	2540	LF
501.90	PILE TIPS (ABUTMENTS)	38	EA
501.91	PILE SPLICES (ABUTMENTS)	38	EA
501.92	PILE DRIVING EQUIPMENT MOBILIZATION ABUTMENTS	1	LS
502.219	STRUCTURAL CONCRETE, ABUTMENTS AND RET. WALLS	547	1 LS (CY)
502.239	STRUCTURAL CONCRETE, PIERS	1327	1 LS (CY)
502.261	STRUCTURAL CONCRETE RDWY & SW SLAB ON CONC. BRG.	924	1 LS (CY)
502.31	STRUCTURAL CONCRETE APPROACH SLABS	32	1 LS (CY)
502.38	STRUCTURAL CONCRETE ARCH	637	1 LS (CY)
502.381	STRUCTURAL CONCRETE TIE GIRDER	811	1 LS (CY)
502.431	STRUCTURAL CONCRETE BEAM	188	1 LS (CY)
502.49	STRUCTURAL CONCRETE CURBS AND SIDEWALKS	133	1 LS (CY)
503.12	REINFORCING STEEL, FABRICATED AND DELIVERED	660640	LB
503.13	REINFORCING STEEL, PLACING	660640	LB
507.0841	STEEL PIPE HAND RAILING	1245	1 LS (LF)
508.14	HIGH PERFORMANCE WATERPROOFING MEMBRANE	2620	1 LS (SY)
510.10	SPEC. DETOUR, 24 FT RDWY WIDTH VEH. & PED. NOT SEP.	1	LS
512.081	FRENCH DRAINS	148	1 LS (LF)
514.06	CURING BOX FOR CONCRETE CYLINDERS	1	EA
515.21	PROTECTIVE COATING FOR CONCRETE SURFACES	53	1 LS (SY)
520.21	EXPANSION DEVICE-GLAND SEAL	2	EA
523.52	BEARING INSTALLATION, SPAN 1 & 3	24	EA
523.52	BEARING INSTALLATION, SPAN 2	4	EA
523.5401	LAMINATED ELASTOMERIC BEARINGS, EXPANSION, SPAN 1 & 3	24	EA
523.5404	LAMINATED ELASTOMERIC BEARINGS, EXPANSION SPAN 2	4	EA
525.72	EXTERIOR BENCH CAPS	12	EA
525.73	INTERIOR BENCH UNITS	8	EA
525.74	INTERPRETIVE SIGN BASE	2	EA
526.324	CONCRETE BARRIER RAIL	1246	1 LS (LF)
535.61	PRESTRESSED STRUCTURAL CONCRETE I-GIRDERS	1565	1 LS (LF)
535.62	PRESTRESSED STRUCTURAL CONCRETE BOX BEAM	258	1 LS (CY)
535.64	POST TENSIONING SYSTEM	127100	1 LS
535.65	STRUCTURAL STRAND HANGER SYSTEM	1	LS
603.159	12 IN CULVERT PIPE OPTION III	122	LF
603.16	15 IN CULVERT PIPE OPTION I	72	LF
603.169	15 IN CULVERT PIPE OPTION III	192	LF
603.179	18 IN CULVERT PIPE OPTION III	22	LF
603.19	24 IN CULVERT PIPE OPTION I	48	LF
603.199	24 IN CULVERT PIPE OPTION III	206	LF
603.42	30 IN REINFORCED CONC. PIPE CLASS IV	14	LF
604.072	CATCH BASIN TYPE A1-C	7	EA
604.15	MANHOLE	2	EA
604.164	REBUILDING CATCH BASIN	1	EA
604.249	CATCH BASIN TYPE F6-C	2	EA
604.252	CATCH BASIN TYPE A5-C	2	EA
604.31	DRY WELL CATCH BASIN	1	EA
605.09	6 IN UNDERDRAIN TYPE B	174	LF
605.11	12 IN UNDERDRAIN TYPE C	132	LF
605.12	15 IN UNDERDRAIN TYPE C	104	LF
605.13	18 IN UNDERDRAIN TYPE C	328	LF
606.1721	BRIDGE TRANSITION - TYPE I	3	EA
606.23	GUARDRAIL TYPE 3C - SINGLE RAIL	288	LF
606.231	GUARDRAIL TYPE 3C - 15 FT RADIUS AND LESS	25	LF
606.232	GUARDRAIL TYPE 3C - OVER 15 FT RADIUS	25	LF
606.265	TERMINAL END-SINGLE RAIL - GALVANIZED STEEL	2	EA
606.353	REFLECTORIZED FLEXIBLE GUARDRAIL MARKER	6	EA
606.47	SINGLE WOOD POST	4	EA
606.48	SINGLE GALVANIZED STEEL POST	3	EA
606.61	STEEL BACKED TIMBER GUARDRAIL	24	LF

ESTIMATED QUANTITIES			
ITEM NO.	DESCRIPTION	QUANTITY	UNIT
606.79	GUARDRAIL 350 FLAIRED TERMINAL	1	EA
607.22	CEDAR RAIL FENCE	160	LF
607.24	REMOVE AND RESET FENCE	116	LF
607.25	REMOVE AND RESET CHAIN LINK FENCE	166	LF
608.29	GRANITE WITH STONE DUST BASE	50	SY
609.11	VERTICAL CURB TYPE 1	1230	LF
609.12	VERTICAL CURB TYPE 1 - CIRCULAR	185	LF
609.234	TERMINAL CURB TYPE 1 - 4FT	17	EA
609.237	TERMINAL CURB TYPE 1 - 7FT	8	EA
609.2371	TERMINAL CURB TYPE 1 - 7FT CIRCULAR	7	EA
609.31	CURB TYPE 3	300	LF
609.34	CURB TYPE 5	122	LF
609.35	CURB TYPE 5 - CIRCULAR	34	LF
610.08	PLAIN RIPRAP	840	CY
610.18	STONE DITCH PROTECTION	17	CY
613.319	TEMPORARY EROSION CONTROL BLANKET	59	SY
615.07	LOAM	380	CY
618.13	SEEDING METHOD NUMBER 1	28	UN
618.1401	SEEDING METHOD NUMBER 2, PLAN QUANTITY	6	UN
619.12	MULCH	35	UN
619.1401	EROSION CONTROL MIX	760	CY
620.58	EROSION CONTROL GEOTEXTILE	65	SY
621.025	EVERGREEN TREE 3' - 4'	12	EA
621.026	EVERGREEN TREE 3' - 4'	6	EA
621.038	EVERGREEN TREE 5' - 6'	6	EA
621.046	EVERGREEN TREE 8' - 10' GROUP A	6	EA
621.048	EVERGREEN TREE 8' - 10' GROUP C	2	EA
621.126	SMALL DECIDUOUS TREE 6' - 8'	12	EA
621.195	LARGE DECIDUOUS TREE 1 1/4" - 2" CAL B&B	6	EA
621.255	LARGE DECIDUOUS TREE 8' - 10' HT. B&B CONT.	6	EA
621.262	LARGE DECIDUOUS TREE 10' - 12' HT. B&B CONT.	6	EA
621.273	LARGE DECIDUOUS TREE 2' - 2 1/2" CAL B&B GROUP A	12	EA
621.275	LARGE DECIDUOUS TREE 2' - 2 1/2" CAL B&B GROUP B	6	EA
621.285	LARGE DECIDUOUS TREE 3" - 3 1/2" CAL B&B	3	EA
621.401	DWARF EVERGREEN 2' - 2 1/2" B&B	12	EA
621.546	DECIDUOUS SHRUB 2' - 2 1/2" GROUP A CONT.	36	EA
621.547	DECIDUOUS SHRUB 2' - 2 1/2" GROUP B CONT.	66	EA
621.559	DECIDUOUS SHRUB 4' - 5' CONT.	6	EA
621.710	HERBACEOUS PERENNIAL NO. 1 CONT.	120	EA
621.711	HERBACEOUS PERENNIAL NO. 1 CONT.	132	EA
621.80	TWO - YEAR MAINTENANCE ESTABLISHMENT PERIOD	1	LS
627.18	12 IN SOLID WHITE PAVEMENT MARKING LINE	120	LF
627.711	WHITE OR YELLOW PAVEMENT MARKING LINE - PLAN QTY.	8350	LF
627.75	WHITE OR YELLOW PAVEMENT & CURB MARKING	500	SF
629.05	HAND LABOR STRAIGHT TIME	80	HR
631.12	ALL PURPOSE EXCAVATOR (INCLUDING OPERATOR)	120	HR
631.14	GRADER (INCLUDING OPERATOR)	24	HR
631.15	ROLLER, EARTH AND BASE (INCLUDING OPERATOR)	24	HR
631.172	TRUCK-LARGE (INCLUDING OPERATOR)	120	HR
634.16	HIGHWAY LIGHTING	1	LS
634.2041	LUMINAIRE	8	EA
634.2043	LUMINAIRE-HORIZONTAL SPOT	20	EA
634.21	CONVENTIONAL LIGHT STANDARDS	4	EA
635.14	PREFABRICATED CONCRETE MODULAR GRAVITY WALL	575	SF
638.01	EMBEDDED WORK IN STRUCTURES	1	LS
639.18	FIELD OFFICE, TYPE A	1	EA
652.38	FLAGGERS	500	MH
652.39	WORK ZONE TRAFFIC CONTROL	1	LS
656.75	TEMPORARY SOIL EROSION AND WATER POLLUTION	1	LS
659.10	MOBILIZATION	1	LS
660.21	ON THE JOB TRAINING	6000	MH
812.162	ADJUSTING SEWER MANHOLE TO GRADE	3	EA
812.164	REBUILDING SEWER MANHOLE	3	EA
823.332	GATE VALVE BOX, ADJUST TO GRADE	7	EA

ESTIMATED QUANTITIES			
ALTERNATE NO. 1 ROCK SOCKETED PILE FOUNDATION			
ITEM NO.	DESCRIPTION	QUANTITY	UNIT
206.10	STRUCTURAL EARTH EXCAVATION-PIERS	1055	CY
501.231	DYNAMIC LOADING TEST	8	EA
501.49	STEEL H-BEAM PILES 84 LB/FT, DELIVERED	1040	LF
501.491	STEEL H-BEAM PILES 84 LB/FT, IN PLACE	1040	LF
501.70	STEEL PIPE PILES, DELIVERED	2340	LF
501.701	STEEL PIPE PILES, IN PLACE	2132	LF
501.802	ROCK SOCKET	520	LF
501.902	PIPE PILE-CUTTING TEETH	52	EA
501.91	PILE SPLICES	65	EA
501.921	PILE DRIVING EQUIPMENT MOBILIZATION PIERS	1	LS
502.24	STRUCTURAL CONCRETE PIERS (PLACED UNDER WATER)	1055	CY
511.07	COFFERDAM, PIER 1	1	LS
511.07	COFFERDAM, PIER 2	1	LS
832.071	CONTRACTOR ALLOWANCE	1	LS

ESTIMATED QUANTITIES			
ALTERNATE NO. 2 DEEP SEAL ON BEDROCK FOUNDATION			
ITEM NO.	DESCRIPTION	QUANTITY	UNIT
206.10	STRUCTURAL EARTH EXCAVATION-PIERS	3380	CY
206.11	STRUCTURAL ROCK EXCAVATION-PIERS	250	CY
502.24	STRUCTURAL CONCRETE PIERS (PLACED UNDER WATER)	3400	CY
511.07	COFFERDAM, PIER 1	1	LS
511.07	COFFERDAM, PIER 2	1	LS
832.071	CONTRACTOR ALLOWANCE	1	LS

NOTE: The Contractor may bid one of two foundation alternatives for the Pier foundations.

The first alternative is a Rock Socketed Pile Foundation Alternative, as shown on the plans. The second alternative is a Deep Seal on Bedrock Alternative. For the Deep Seal on Bedrock Alternative, the plan dimensions of the seal are as shown on the plans, with the added provision that the bottom of the seal extend to the top of bedrock. For both alternatives, cofferdam construction shall be in accordance with Section 511 of the Contract Documents. For the Deep Seal on Bedrock Alternative the Contractor shall verify the slope of the bedrock by establishing survey points of no less than 15 per pier, as approved by the Resident. If the slope of the bedrock is greater than 4 Horizontal : 1 Vertical, the Contractor shall provide a benched bedrock surface, where the slope of the benches is 4 Horizontal : 1 Vertical or less, as approved by the Resident.

STATE OF MAINE DEPARTMENT OF TRANSPORTATION BH-6900(01)X	PIN 006900.01	BRIDGE NO. 2187	BRIDGE PLANS	DATE	BY	DATE	BY	DATE	BY	DATE	BY
				05/20/08	MS	05/20/08	MS	05/20/08	MS	05/20/08	MS
COVERED BRIDGE KENNEBEC RIVER NORRIDGEWOCK SOMERSET COUNTY				PROJ. MANAGER	BY	DATE	BY	DATE	BY	DATE	BY
ESTIMATED QUANTITIES				DESIGNED	BY	DATE	BY	DATE	BY	DATE	BY
SHEET NUMBER				CHECKED	BY	DATE	BY	DATE	BY	DATE	BY
2				DESIGN-REVIEWED	BY	DATE	BY	DATE	BY	DATE	BY
OF 134				DESIGN-FILED	BY	DATE	BY	DATE	BY	DATE	BY
				REVISIONS 1	BY	DATE	BY	DATE	BY	DATE	BY
				REVISIONS 2	BY	DATE	BY	DATE	BY	DATE	BY
				REVISIONS 3	BY	DATE	BY	DATE	BY	DATE	BY
				REVISIONS 4	BY	DATE	BY	DATE	BY	DATE	BY
				FIELD CHANGES	BY	DATE	BY	DATE	BY	DATE	BY





**S E A**  
 SEA CONSULTANTS INC.  
 Scientists/Engineers/Architects

STATE OF MAINE  
 DEPARTMENT OF TRANSPORTATION

BRIDGE NO. 2187  
 PIN 6900.01

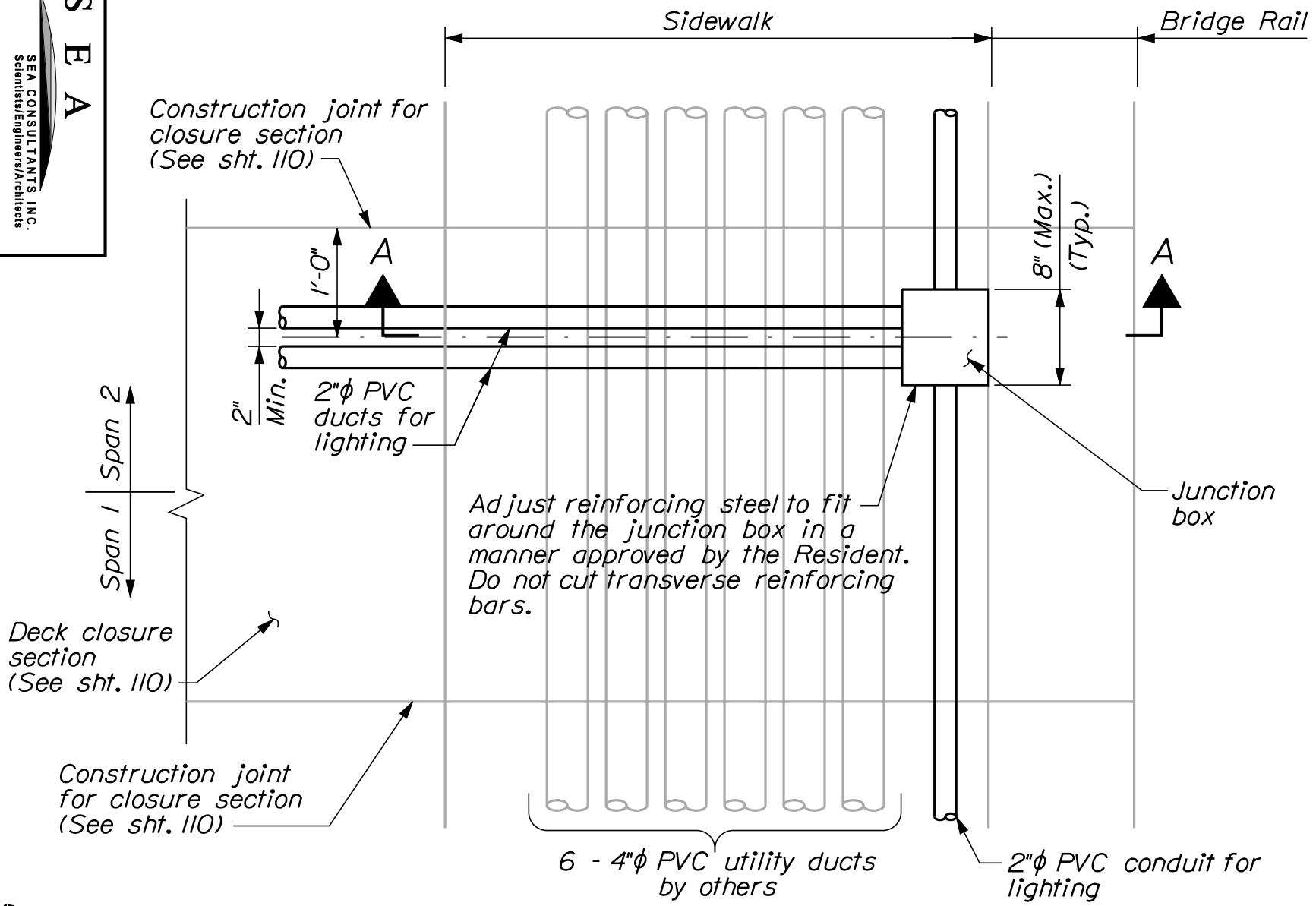
COVERED BRIDGE  
 NORRIDGEWOCK  
 KENNEBEC RIVER  
 SOMERSET

**BRIDGE LIGHTING DETAILS**

SHEET NUMBER  
 5/6/08

**1**

OF 8



Construction joint for closure section  
 (See sht. 110)

Sidewalk

Bridge Rail

1'-0"  
 A

8" (Max.)  
 (Typ.)

2" Min.  
 2" φ PVC ducts for lighting

Adjust reinforcing steel to fit around the junction box in a manner approved by the Resident. Do not cut transverse reinforcing bars.

Junction box

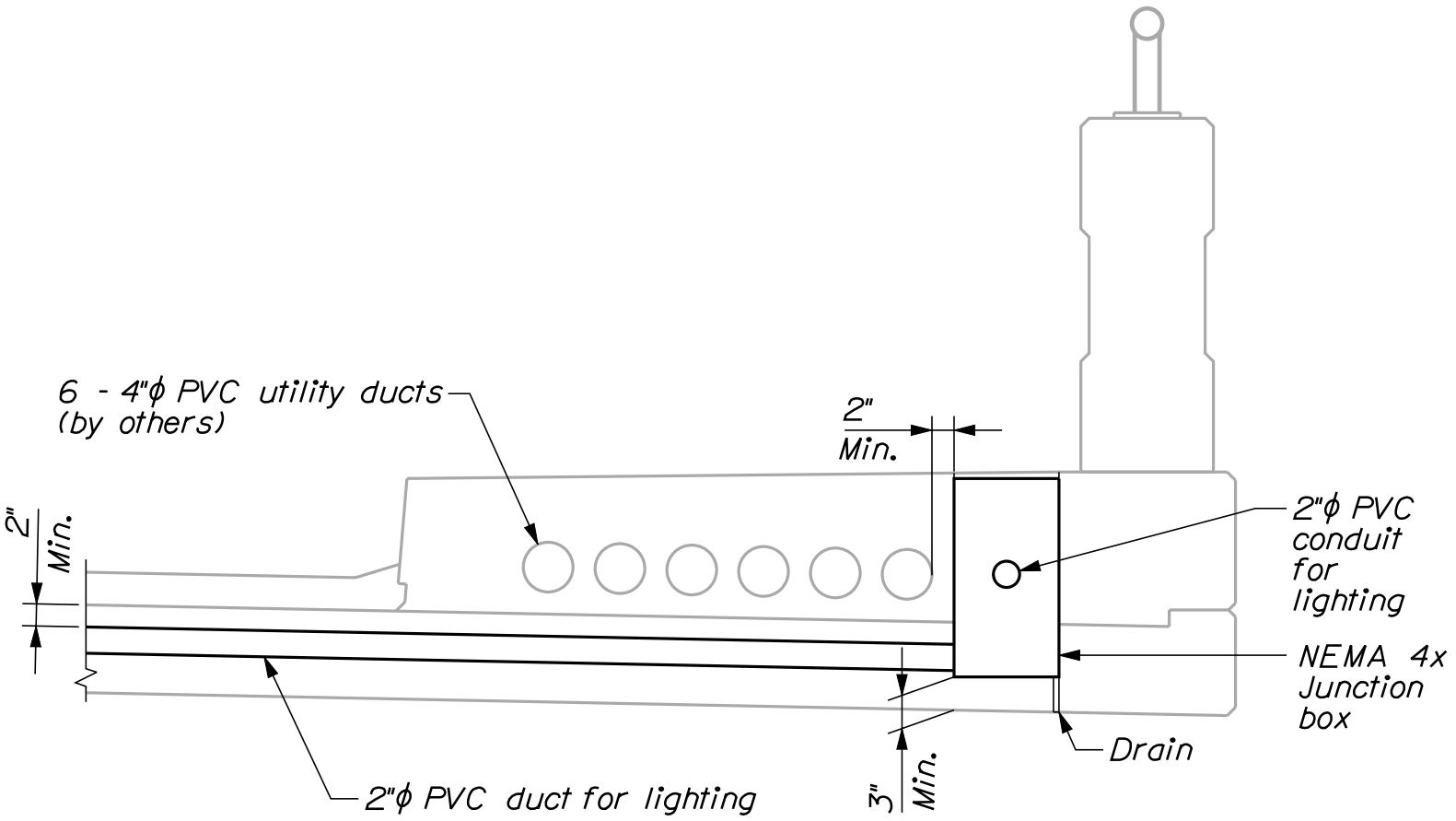
Deck closure section  
 (See sht. 110)

Construction joint for closure section  
 (See sht. 110)

6 - 4" φ PVC utility ducts by others

2" φ PVC conduit for lighting

**CONDUIT LAYOUT AT CLOSURE SECTION**  
 (RIGHT SIDE)



SECTION A-A

S E A

SEA CONSULTANTS INC.  
Scientists/Engineers/Architects

STATE OF MAINE  
DEPARTMENT OF TRANSPORTATION

BRIDGE NO. 2187 PIN 6900.01

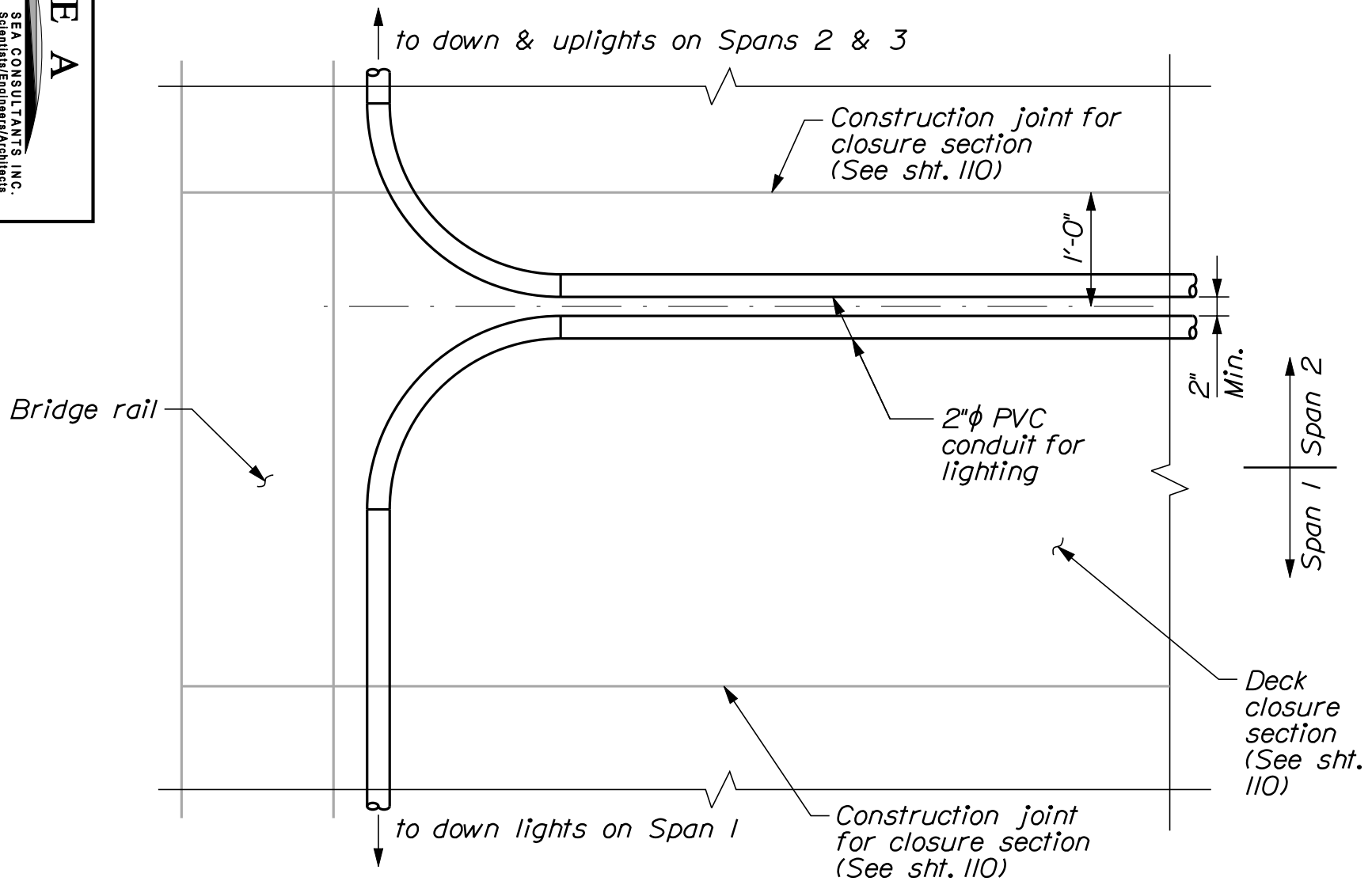
COVERED BRIDGE KENNEBEC RIVER  
NORRIDGEWOCK SOMERSET

BRIDGE LIGHTING DETAILS

SHEET NUMBER  
5/6/08

2

OF 8



CONDUIT LAYOUT AT CLOSURE SECTION  
 (LEFT SIDE)



**S E A**  
 SEA CONSULTANTS INC.  
 Scientists/Engineers/Architects

STATE OF MAINE  
 DEPARTMENT OF TRANSPORTATION

BRIDGE NO. 2187  
 PIN 6900.01

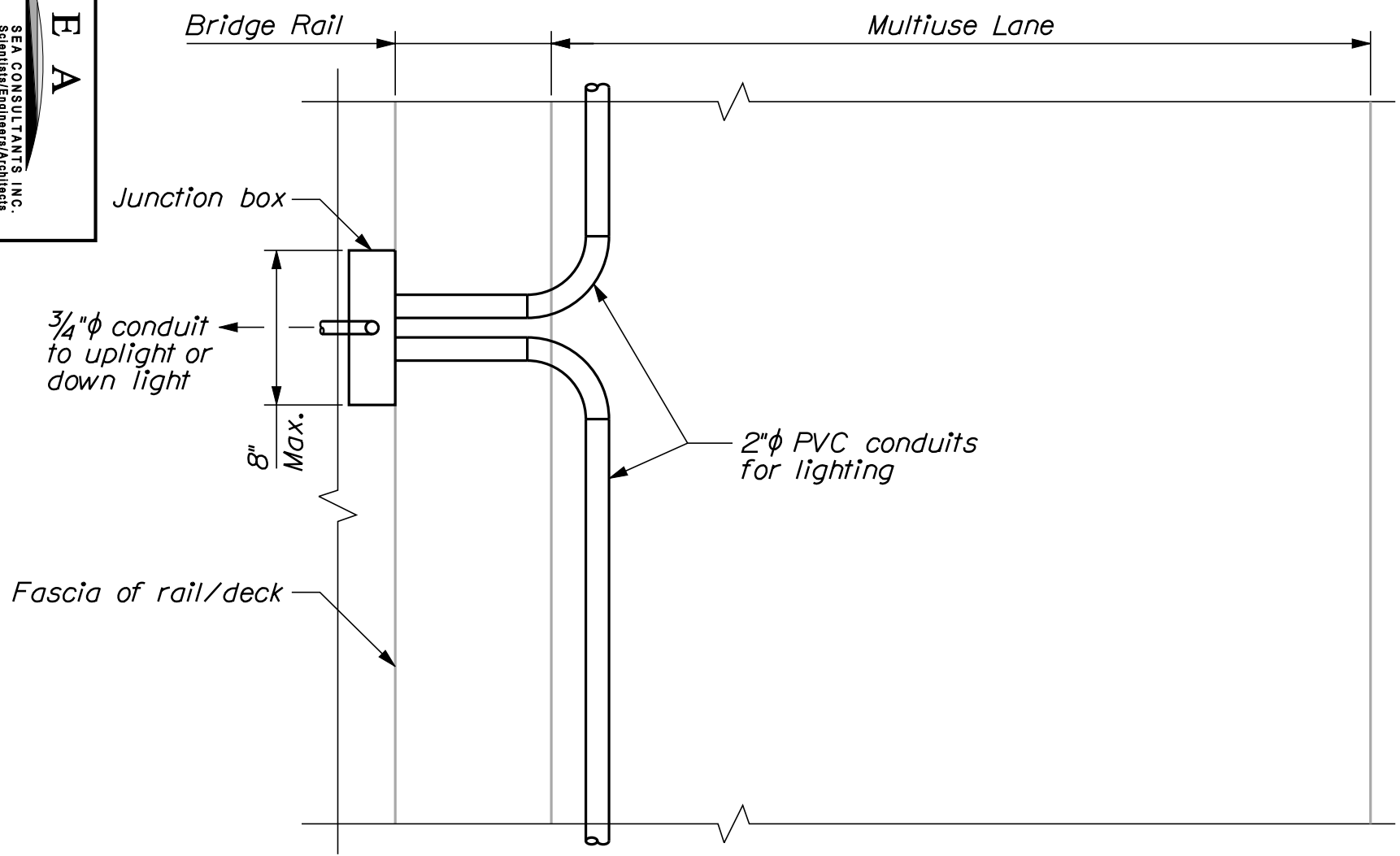
COVERED BRIDGE  
 NORRIDGEWOCK  
 KENNEBEC RIVER  
 SOMERSET

**BRIDGE LIGHTING DETAILS**

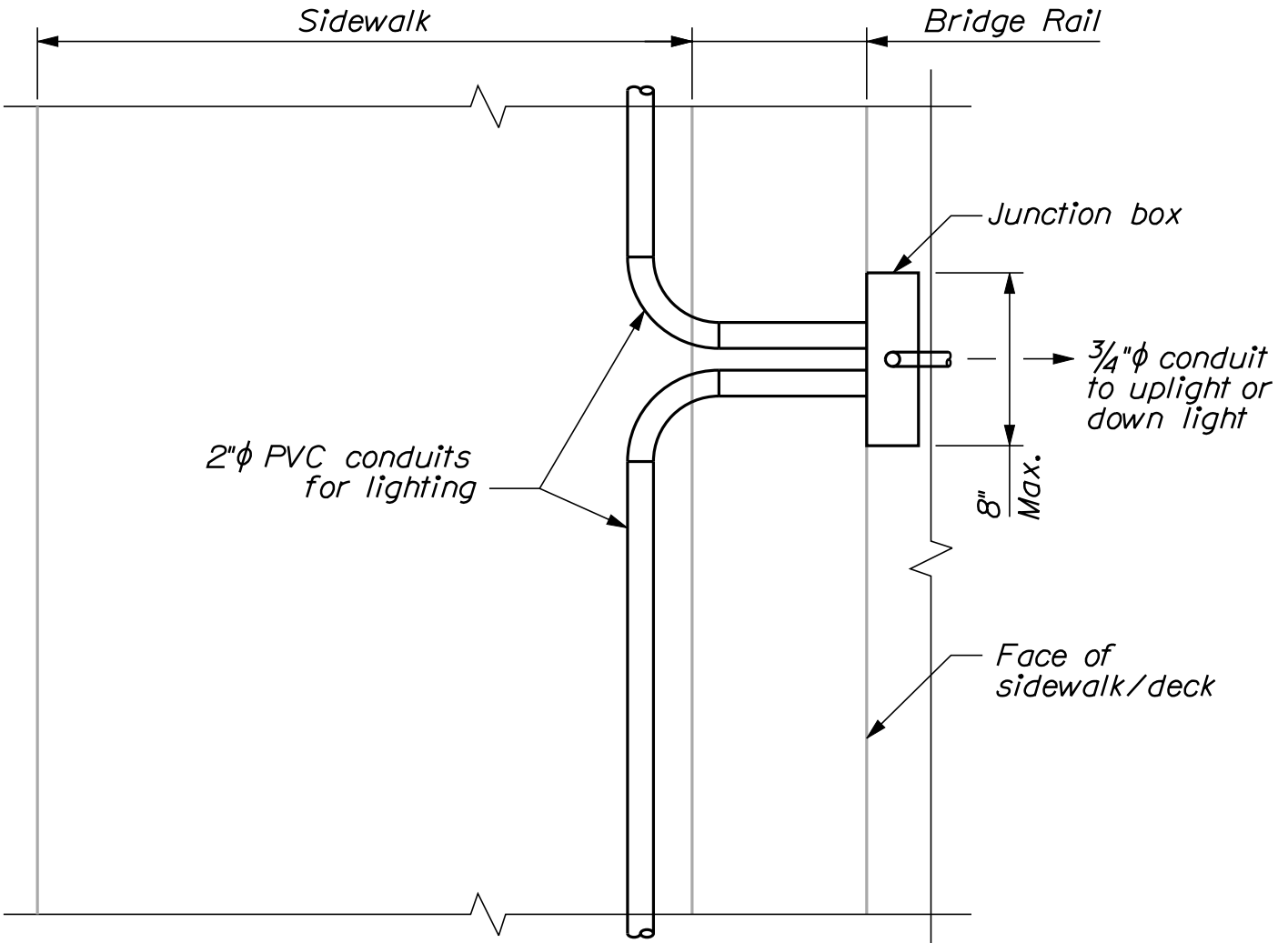
SHEET NUMBER  
 5/6/08

**4**

OF 8



CONDUIT PLAN AT UPLIGHT OR DOWN LIGHT SPAN 2  
 (LEFT SIDE)



CONDUIT PLAN AT UPLIGHT OR DOWN LIGHT SPAN 2  
(RIGHT SIDE)

**S E A**  
SEA CONSULTANTS INC.  
Scientists/Engineers/Architects

STATE OF MAINE  
DEPARTMENT OF TRANSPORTATION

BRIDGE NO. 2187  
PIN 6900.01

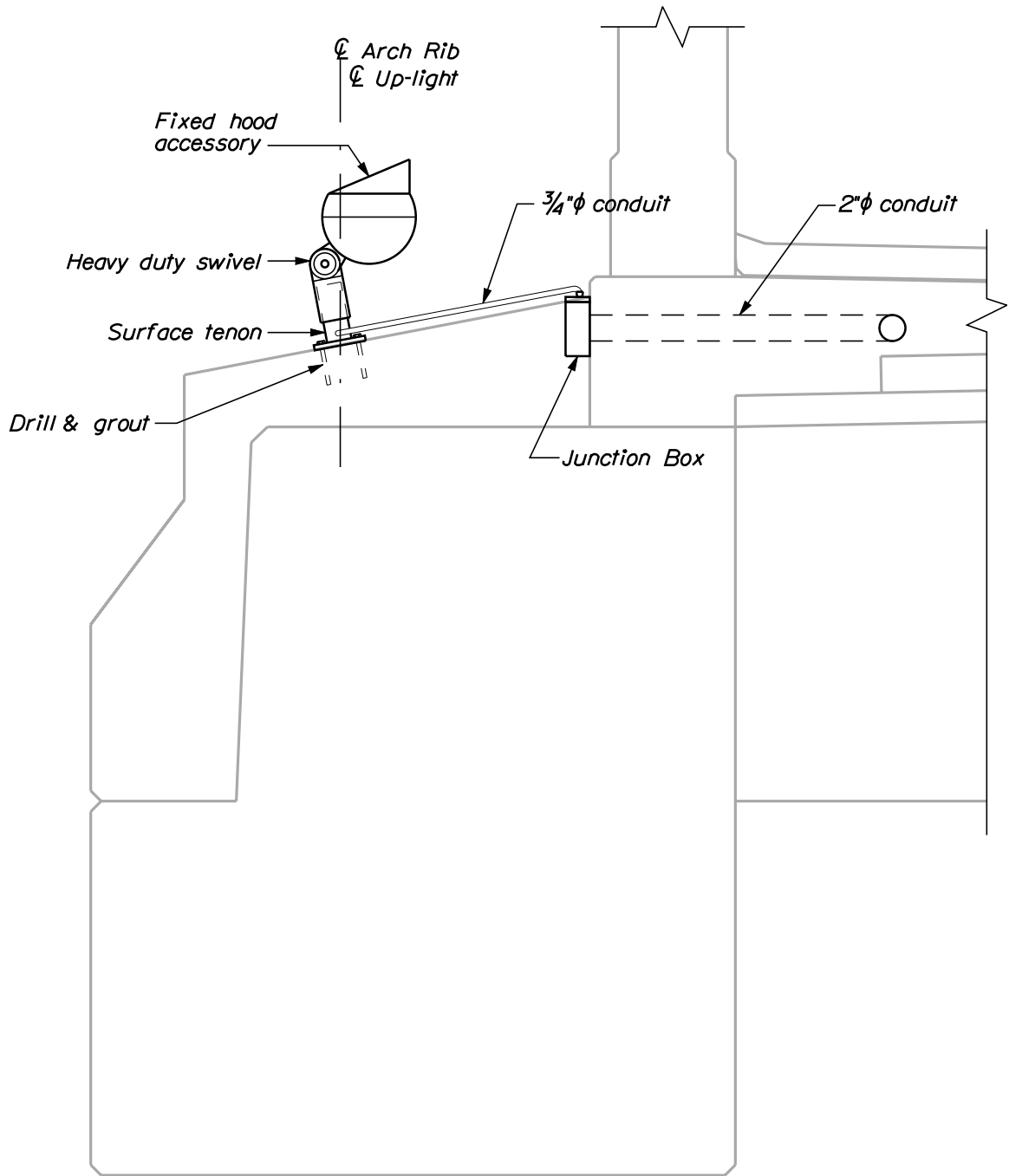
COVERED BRIDGE KENNEBEC RIVER  
NORRIDGEWOCK SOMERSET

**BRIDGE LIGHTING DETAILS**

SHEET NUMBER  
5/6/08

**5**

OF 8



UPLIGHT ON  
TIE GIRDER LEFT

**S E A**  
 SEA CONSULTANTS INC.  
 Scientists/Engineers/Architects

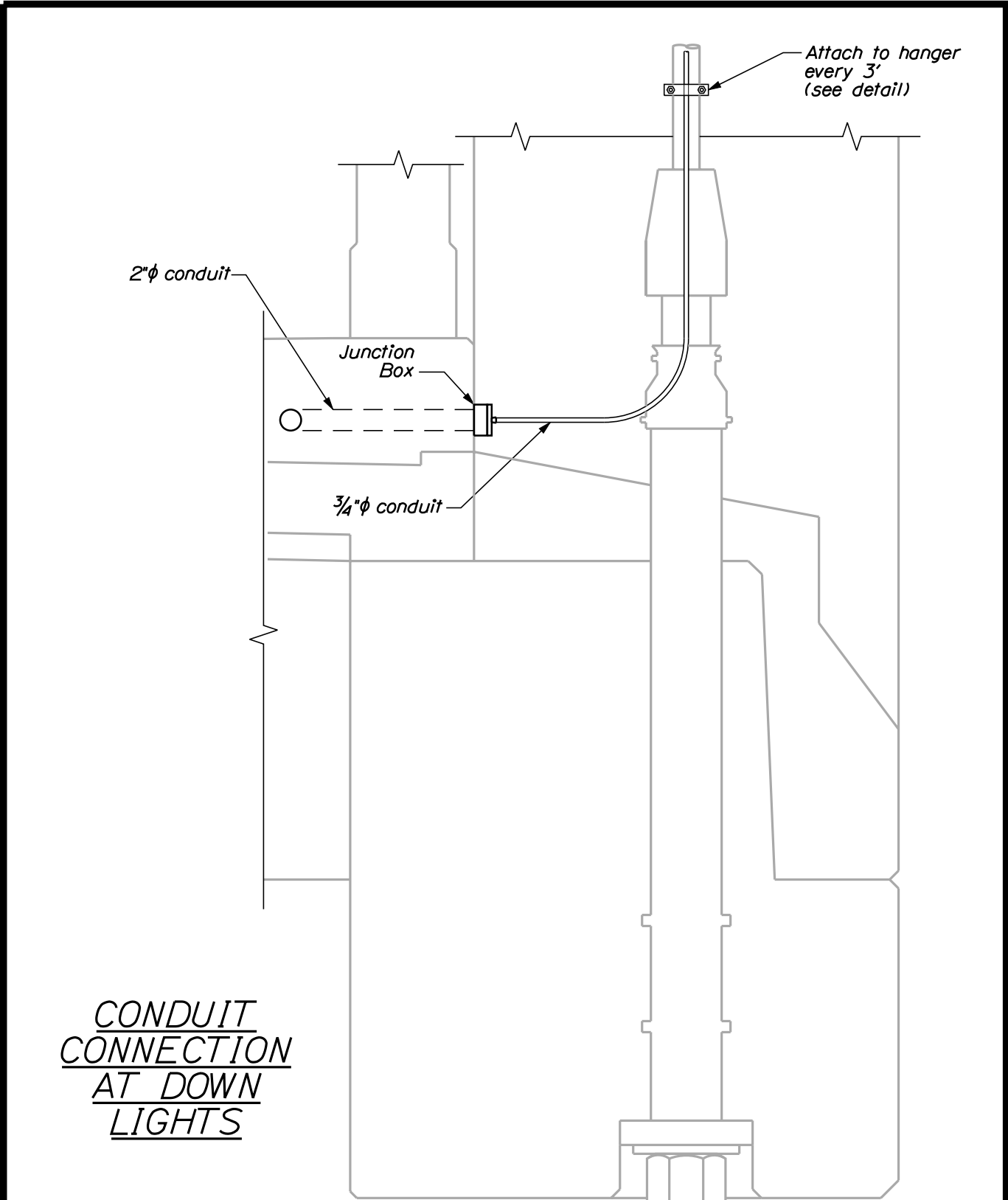
STATE OF MAINE  
 DEPARTMENT OF TRANSPORTATION

BRIDGE NO. 2187      PIN  
 6900.01

COVERED BRIDGE      KENNEBEC RIVER  
 NORRIDGEWOCK      SOMERSET

**BRIDGE LIGHTING DETAILS**

5/6/08  
 SHEET NUMBER  
**6**  
 OF 8



CONDUIT CONNECTION AT DOWN LIGHTS

**S E A**  
 SEA CONSULTANTS INC.  
 Scientists/Engineers/Architects

5/6/08

STATE OF MAINE  
 DEPARTMENT OF TRANSPORTATION

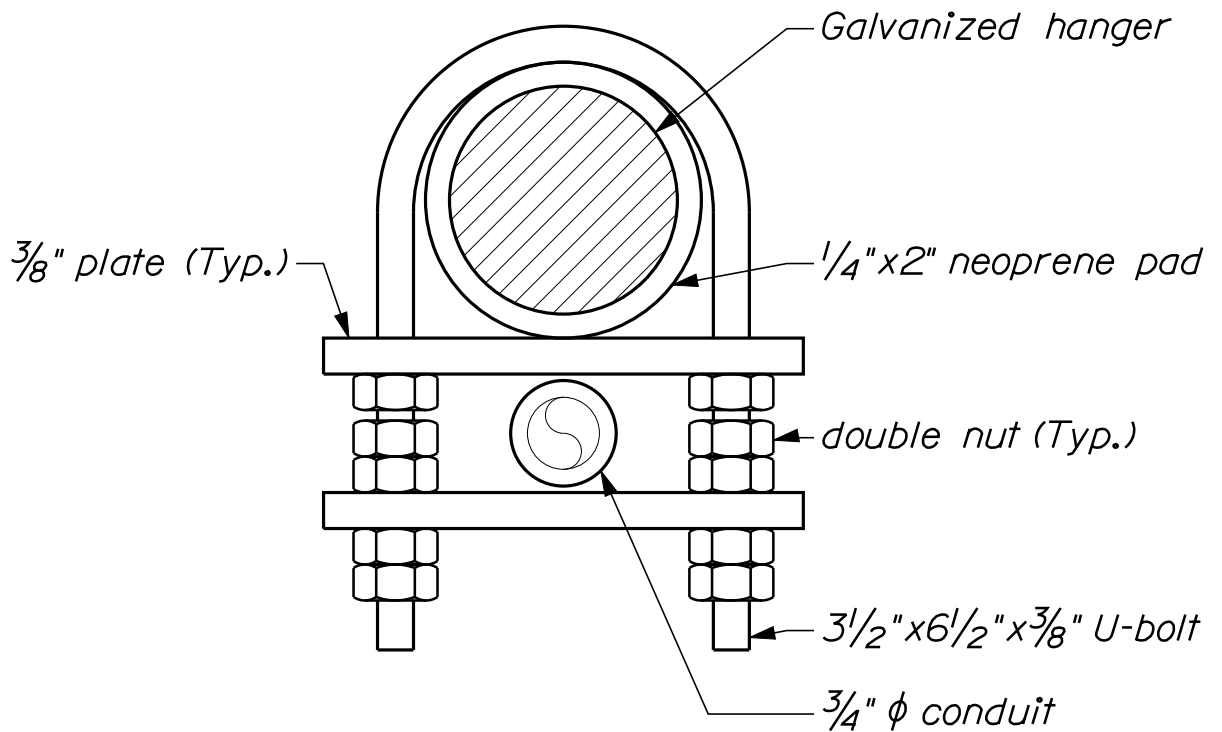
COVERED BRIDGE      KENNEBEC RIVER  
 NORRIDGEWOCK      SOMERSET

SHEET NUMBER  
**7**

BRIDGE NO. 2187      PIN 6900.01

**BRIDGE LIGHTING DETAILS**

OF 8



CONDUIT ATTACHMENT TO HANGER

NOTE: ALL HARDWARE SHALL  
BE GALVANIZED

<p><b>S E A</b></p> <p>SEA CONSULTANTS INC. Scientists/Engineers/Architects</p>
---

5/6/08

<p>STATE OF MAINE DEPARTMENT OF TRANSPORTATION</p>
--

<p>COVERED BRIDGE NORRIDGEWOCK</p>	<p>KENNEBEC RIVER SOMERSET</p>
--	------------------------------------

SHEET NUMBER

**8**

<p>BRIDGE NO. 2187</p>	<p>PIN 6900.01</p>
------------------------	------------------------

<p><b>BRIDGE LIGHTING DETAILS</b></p>
---------------------------------------

OF 8