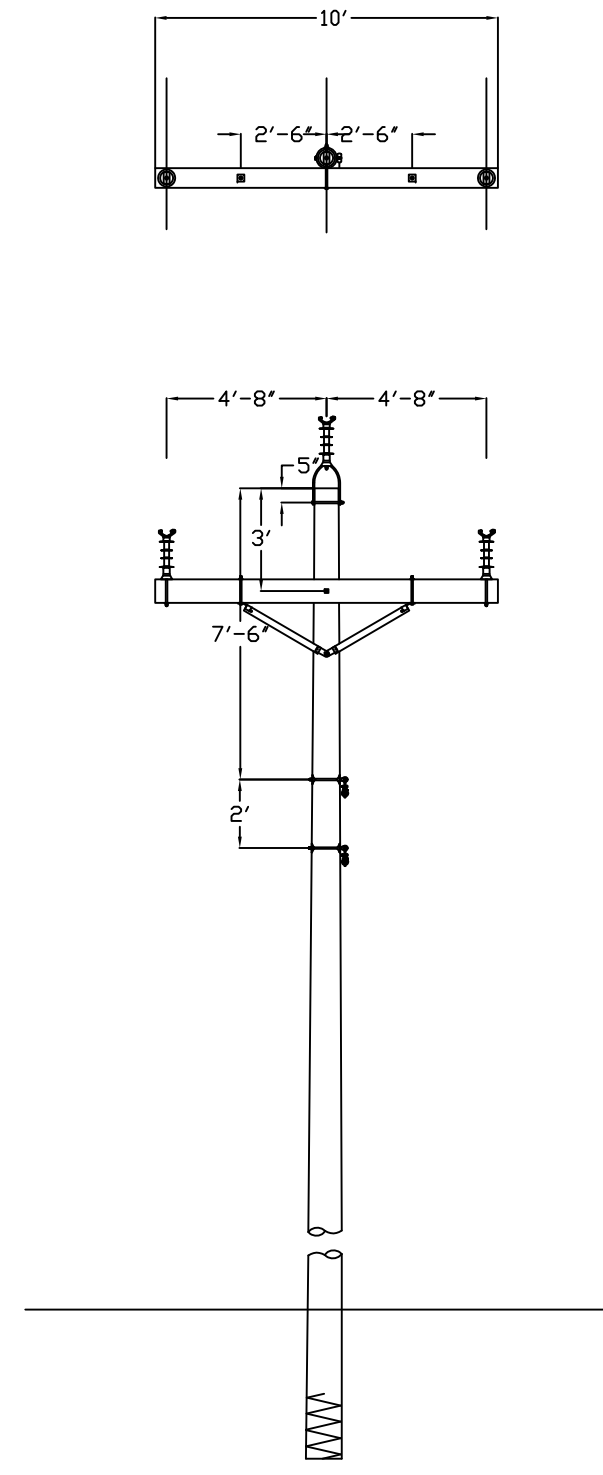
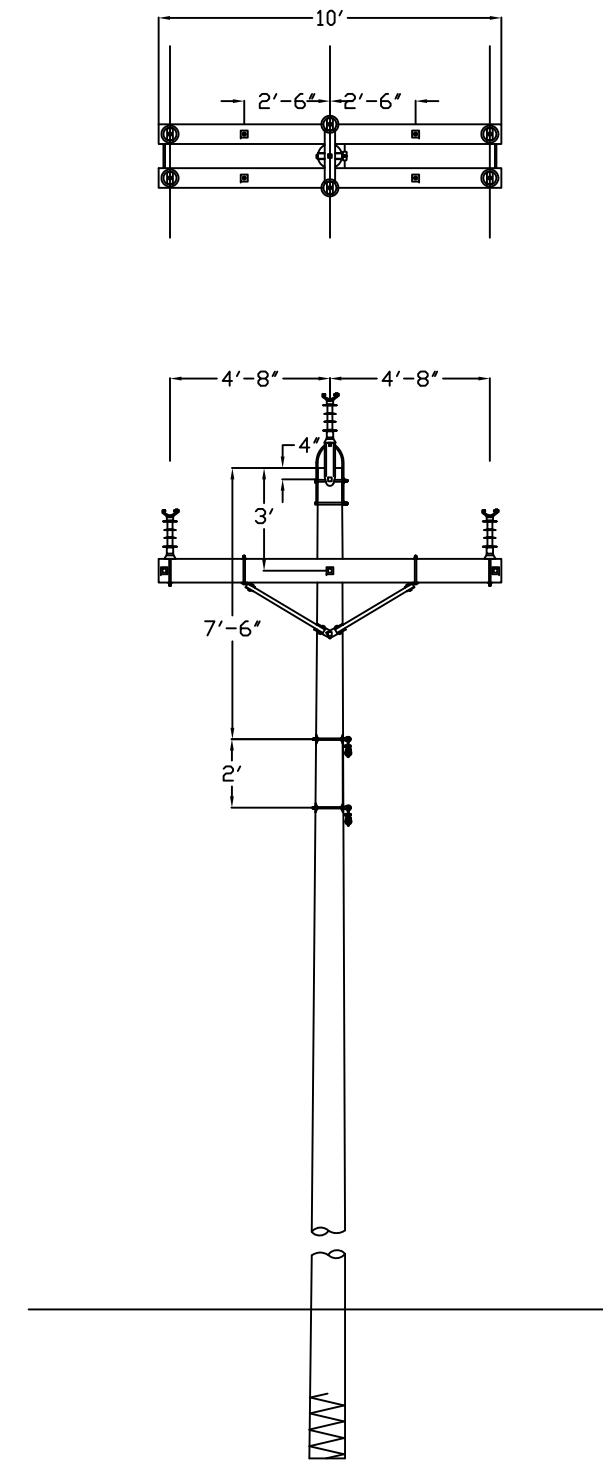


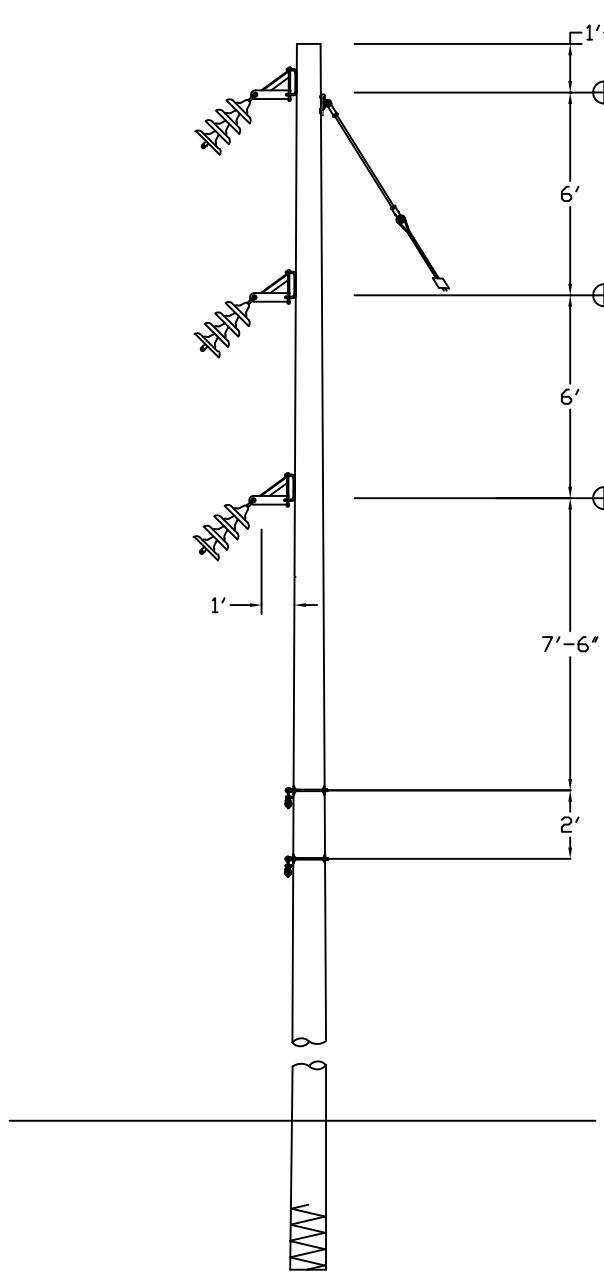
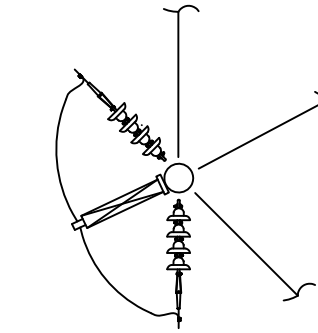
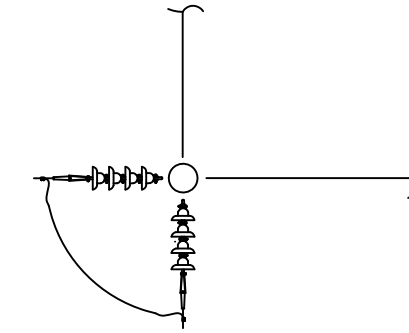
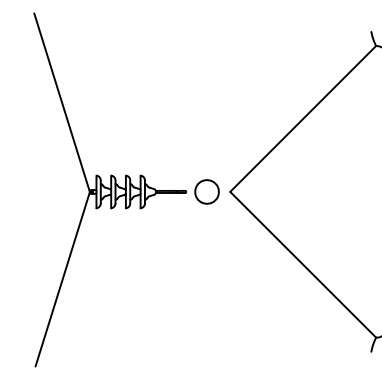
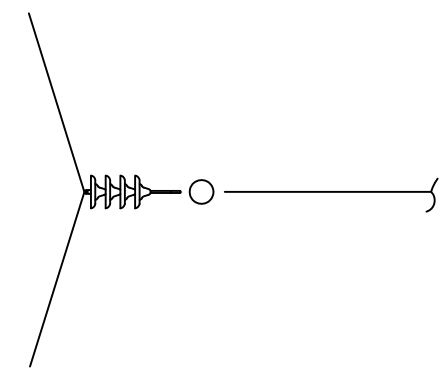
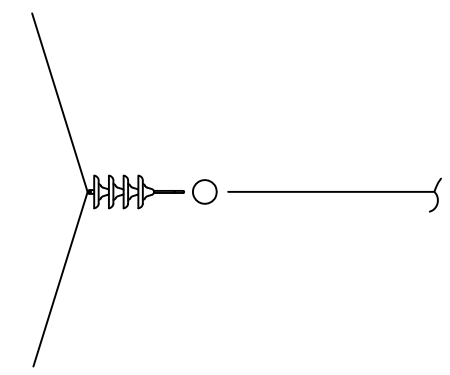
RDE-4



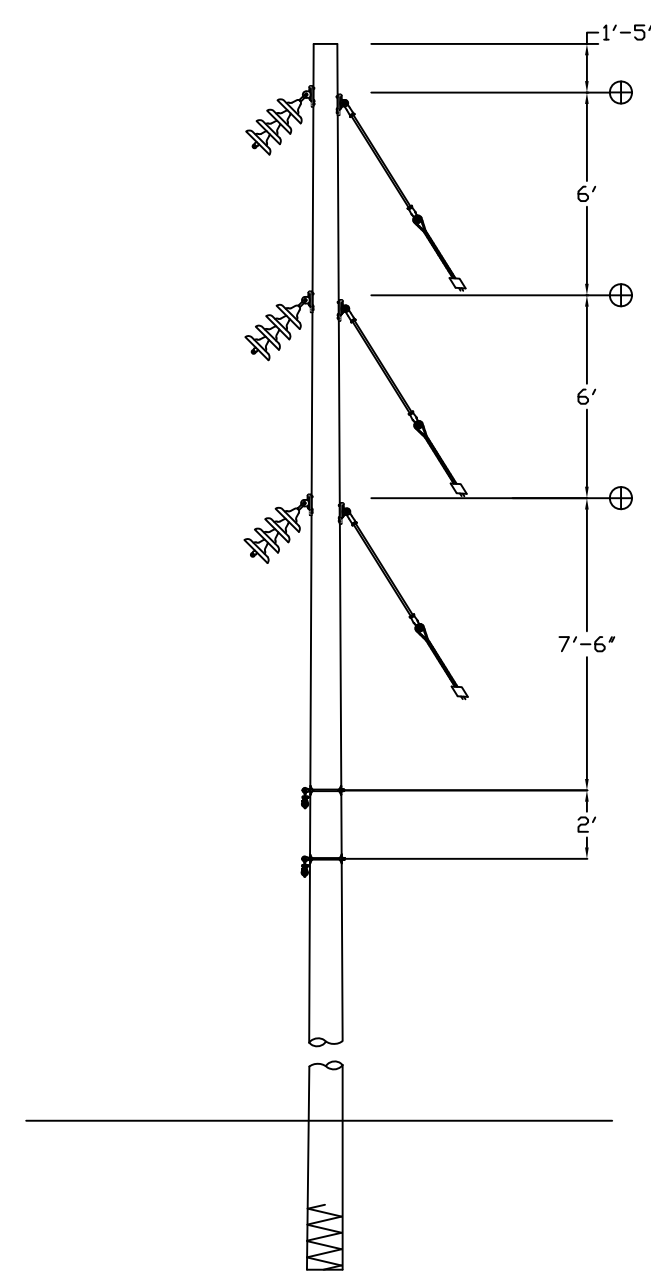
RTP-3A



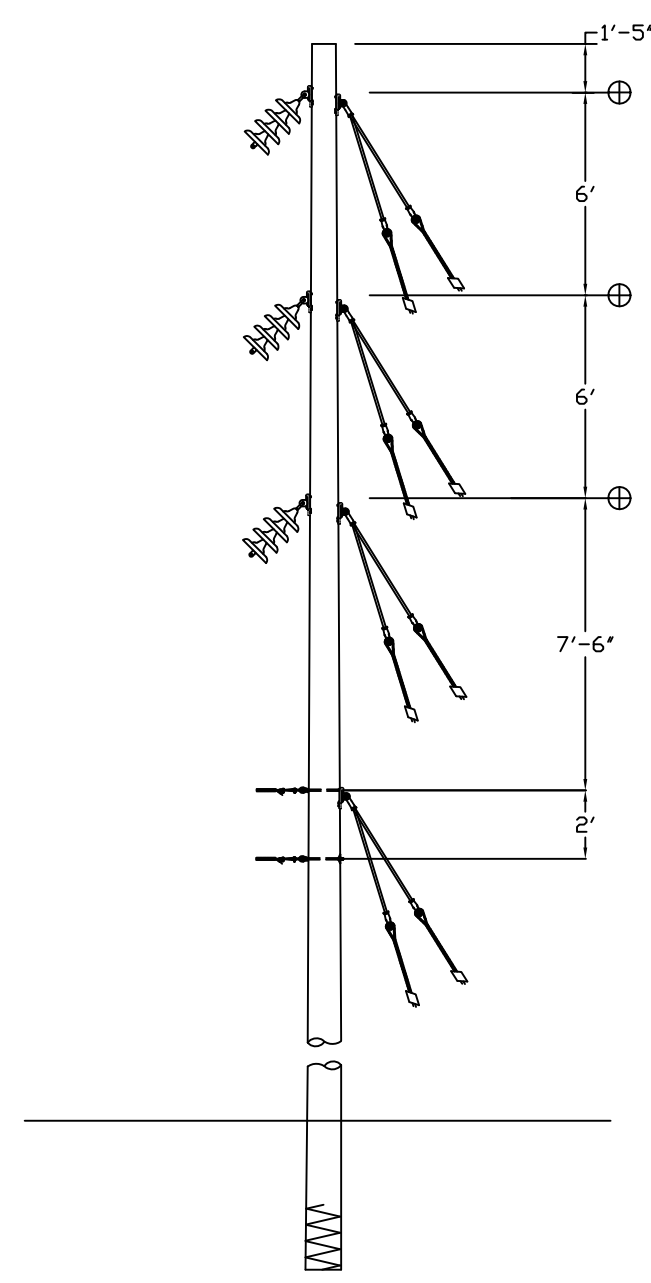
RTP-4A



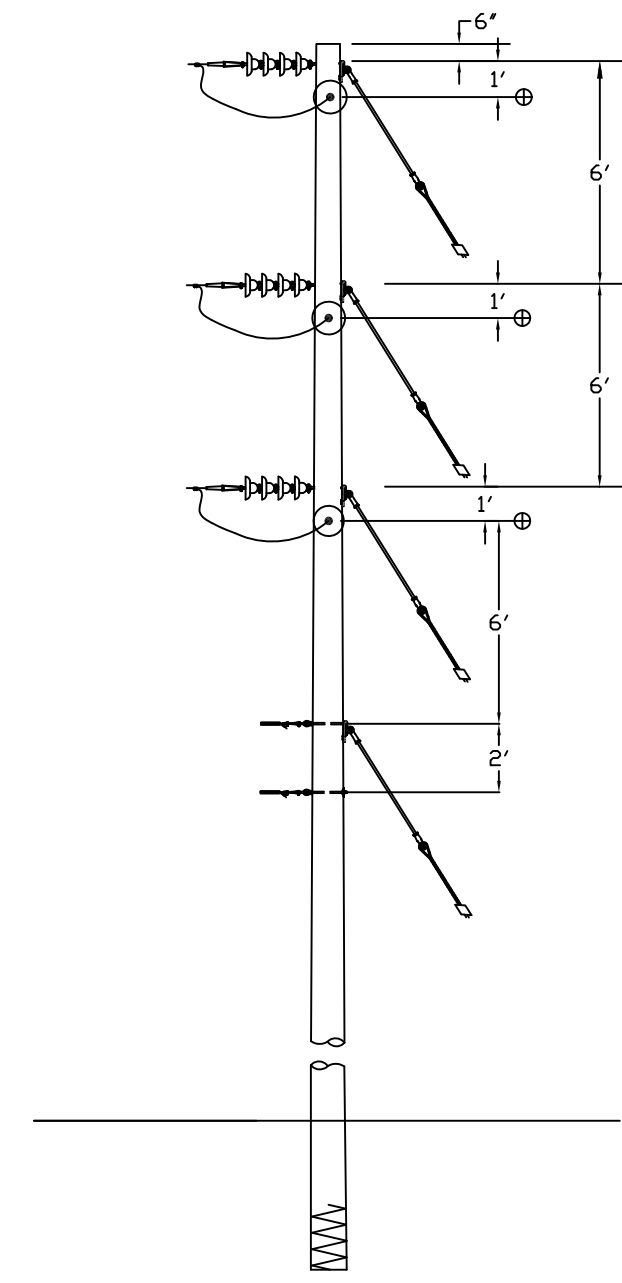
RTS-3
(6° - 12°)



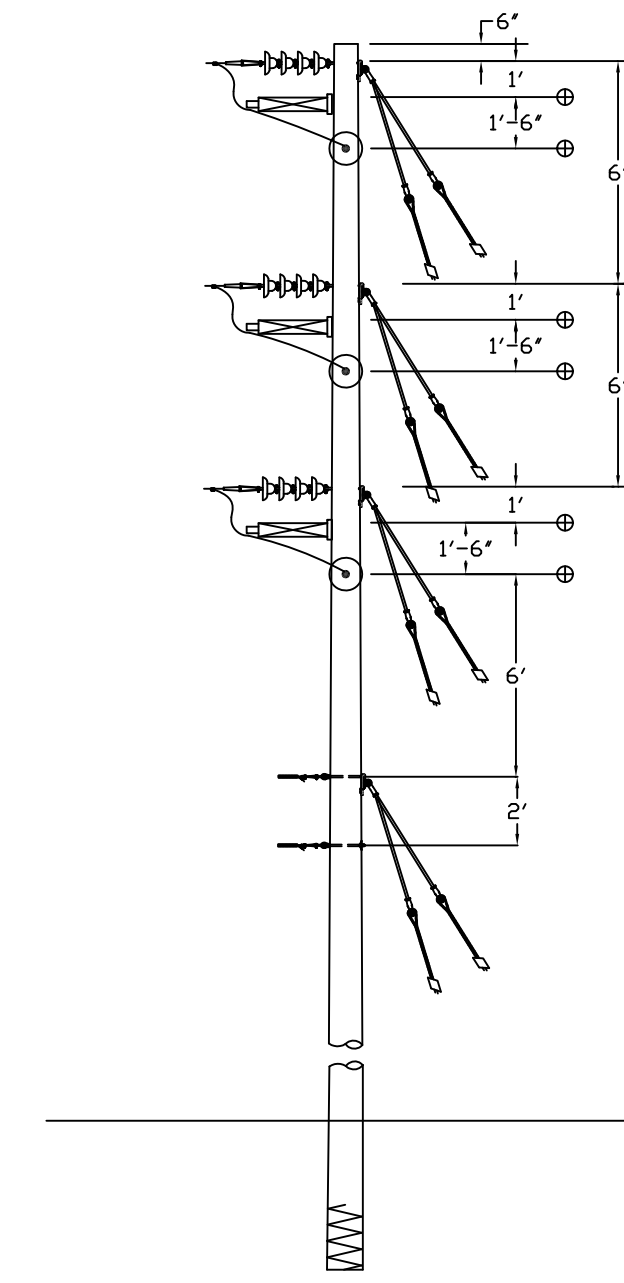
RTS-3A
(12° - 20°)



RTS-4
(20° - 45°)



RTS-5
(20° - 45°)



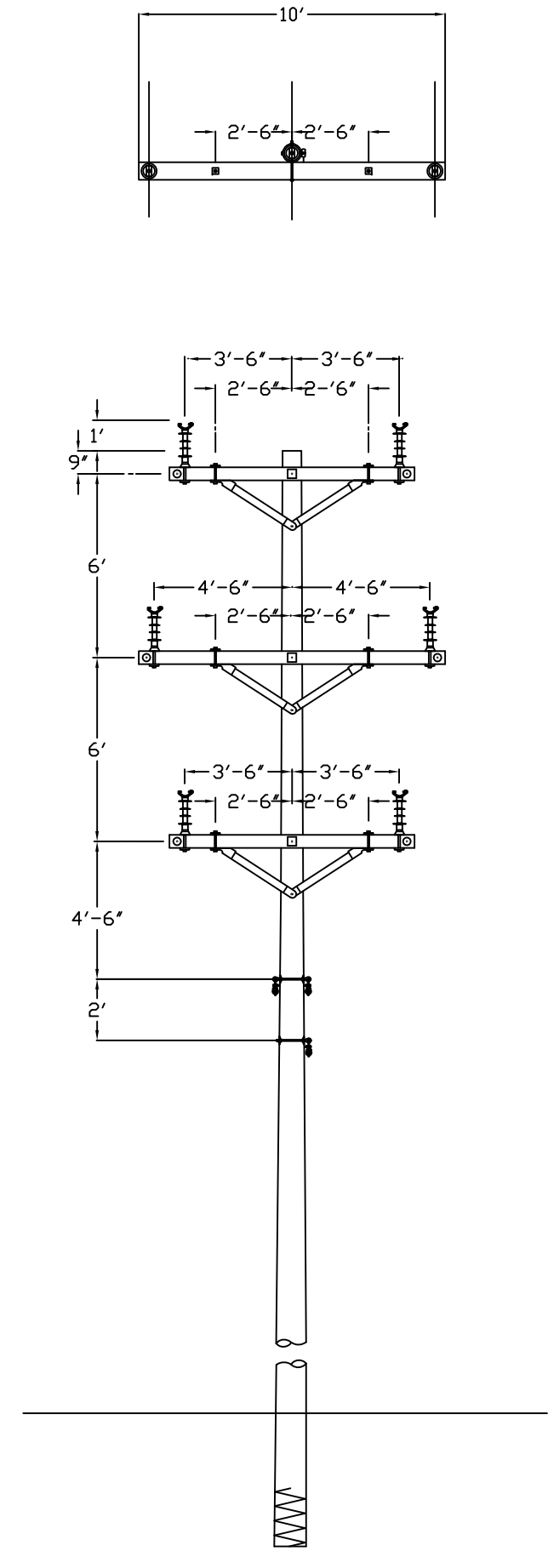
RTS-5A
(20° - 45°)

A	FOR PERMIT APPLICATION ONLY - NOT FOR CONSTRUCTION	11/22/10
REV.	REVISION/ISSUE	DATE

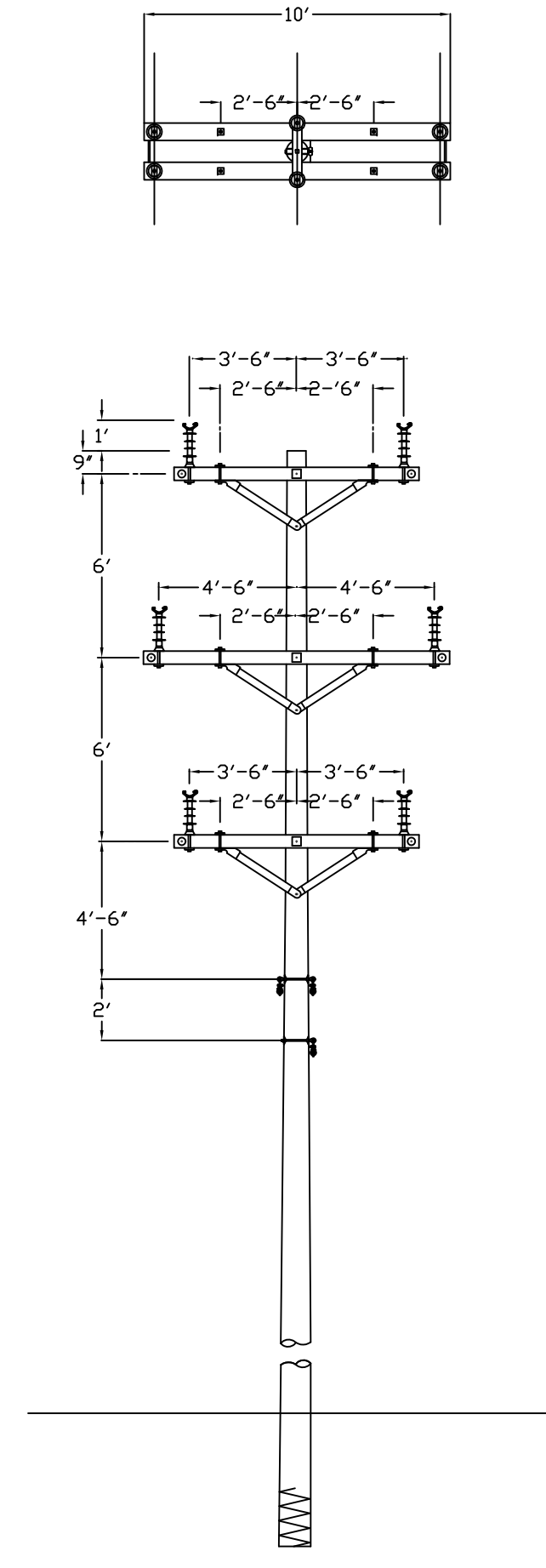
RLC
ENGINEERING
18 Meadow Road
P.O. Box 722
Augusta, ME 04332
Phone 207-621-1077

HIGHLAND WIND PROJECT
HIGHLAND PLANTATION, MAINE
STRUCTURE DETAILS - 34.5KV SINGLE CKT

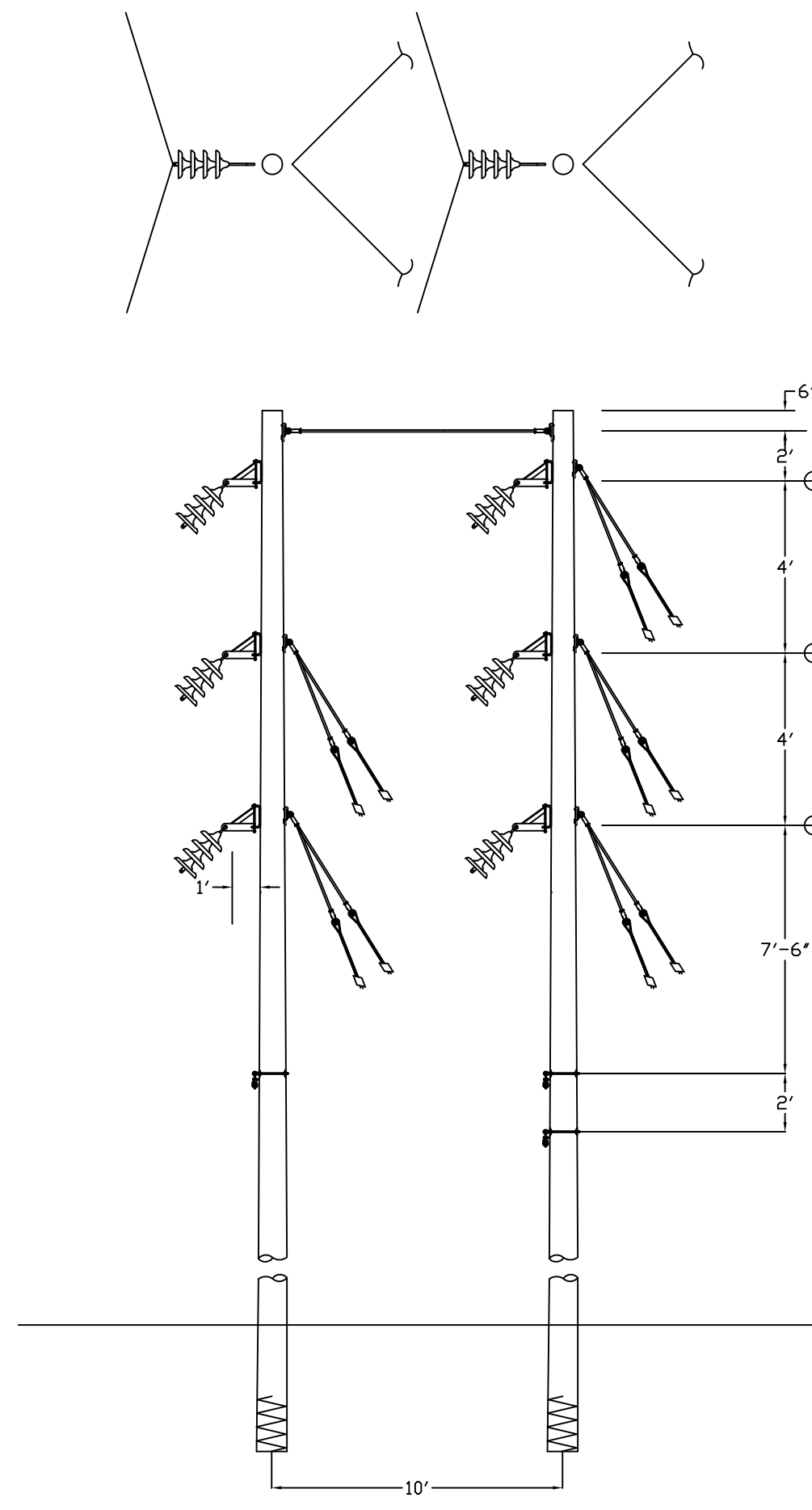
DRAWING #:
SD-201
ENGIN'D BY:
CJL
DATE:
11-22-10



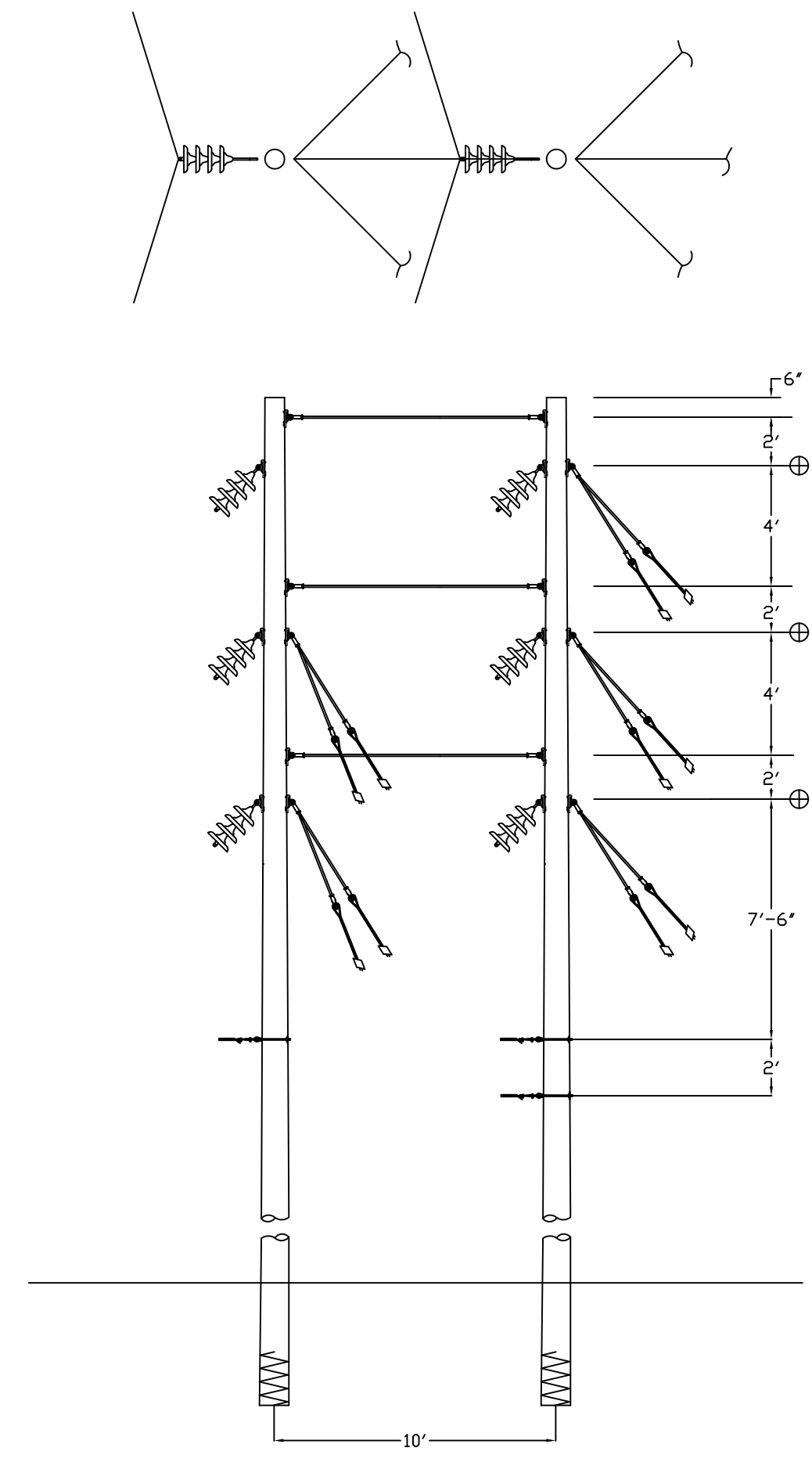
RTPD-3



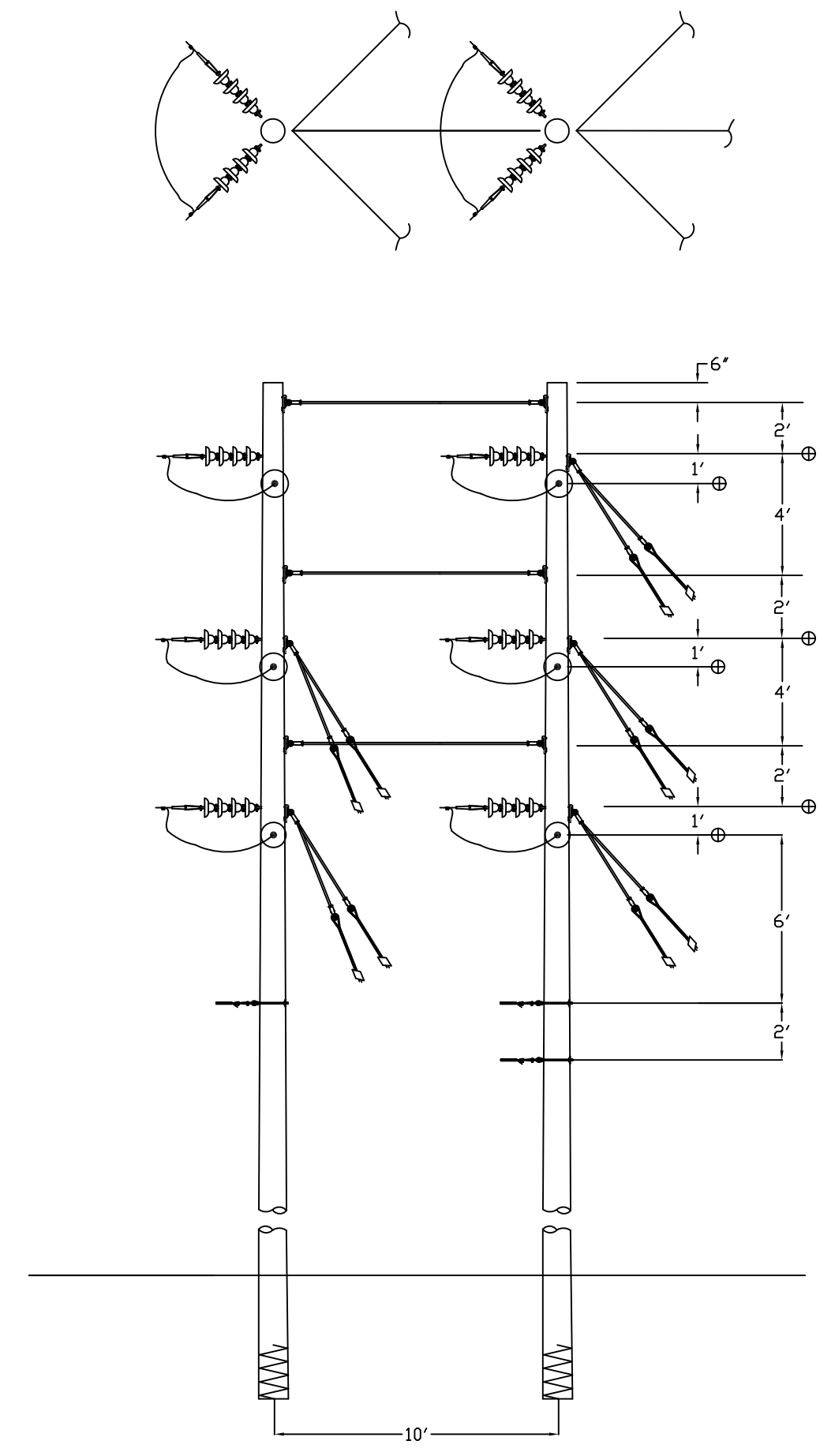
RTPD-4



RTSD-3A
(15° - 20°)



RTSD-4
(20° - 45°)



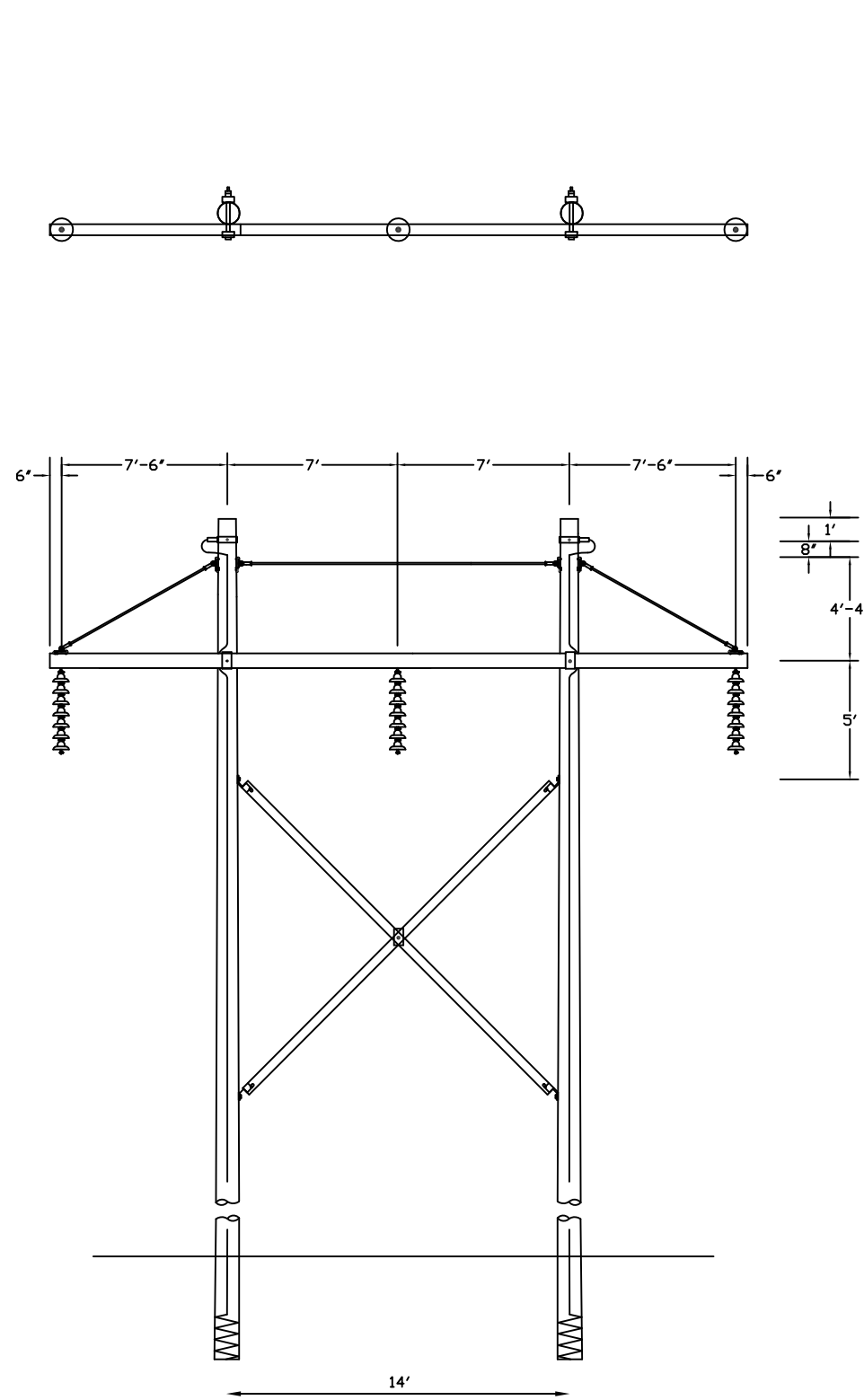
RTSD-5
(45° - 90°)

REV.	REVISION/ISSUE	DATE
A	FOR PERMIT APPLICATION ONLY - NOT FOR CONSTRUCTION	11/22/10

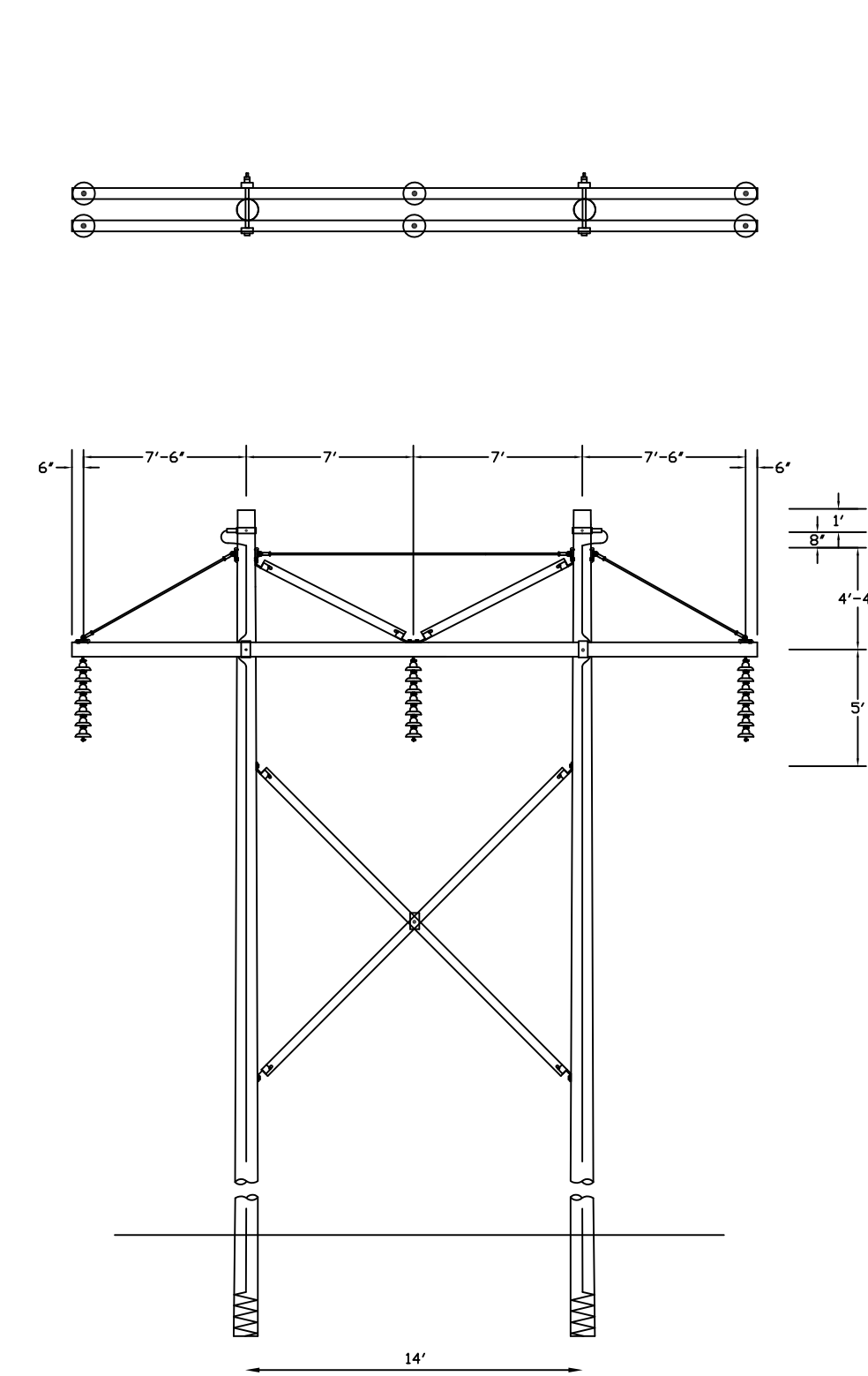
RLC
ENGINEERING
18 Meadow Road
P.O. Box 722
Augusta, ME 04332
Phone 207-621-1077

HIGHLAND WIND PROJECT
HIGHLAND PLANTATION, MAINE
STRUCTURE DETAILS - 34.5KV DOUBLE CKT

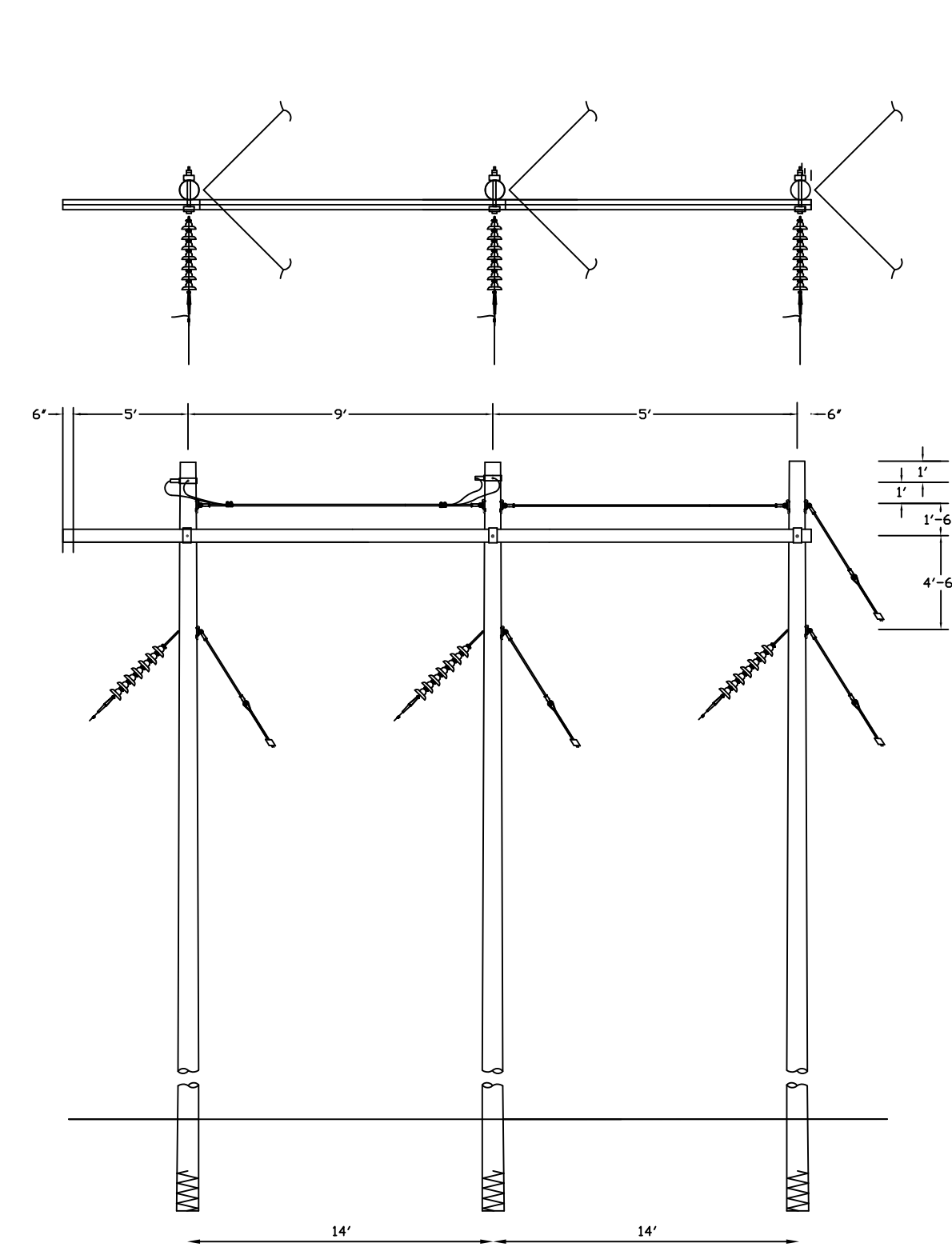
DRAWING #:	SD-202
ENGIN'D BY:	CJL
DRAWN BY:	CJL
DATE:	11-22-10



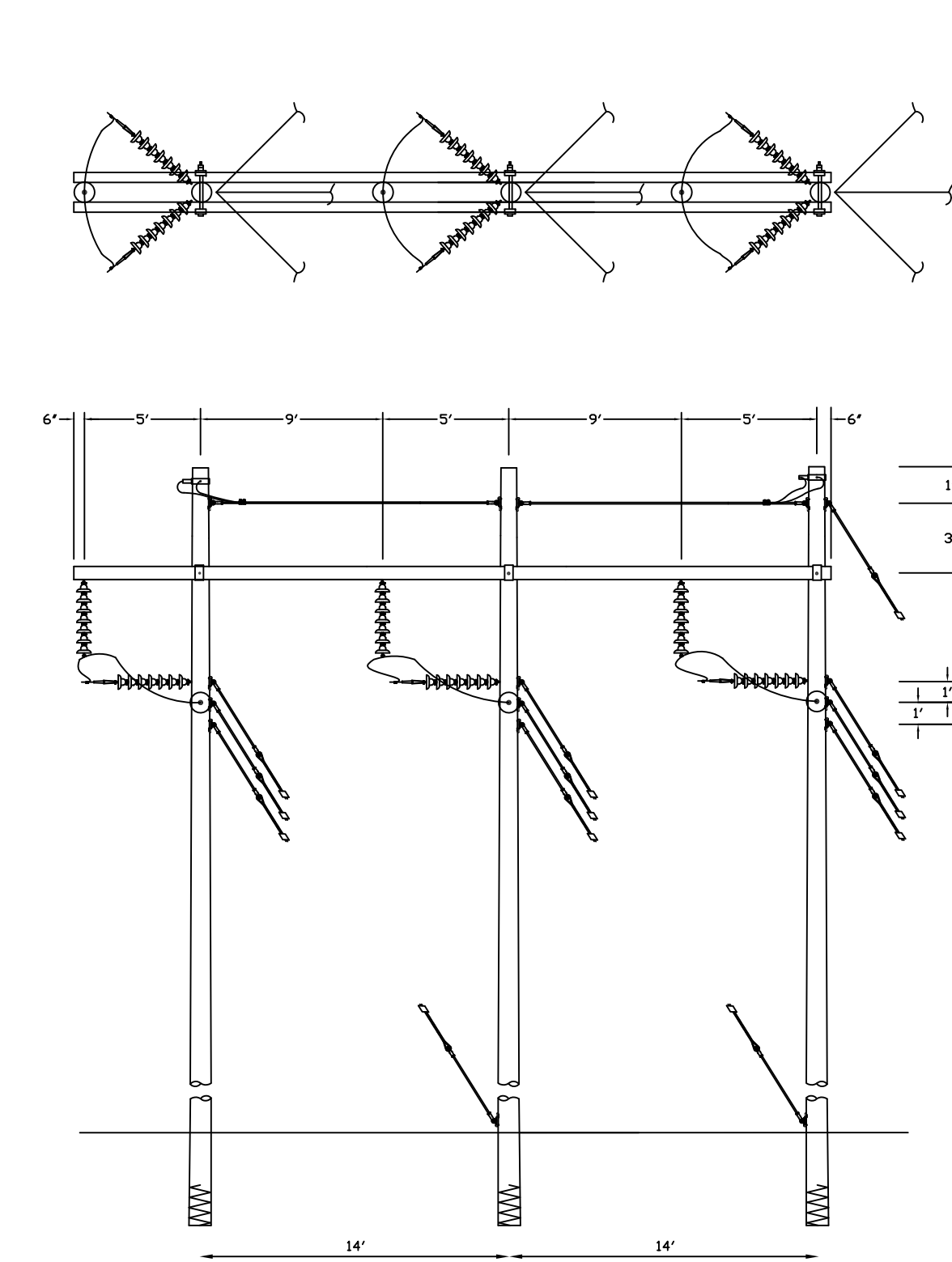
AR



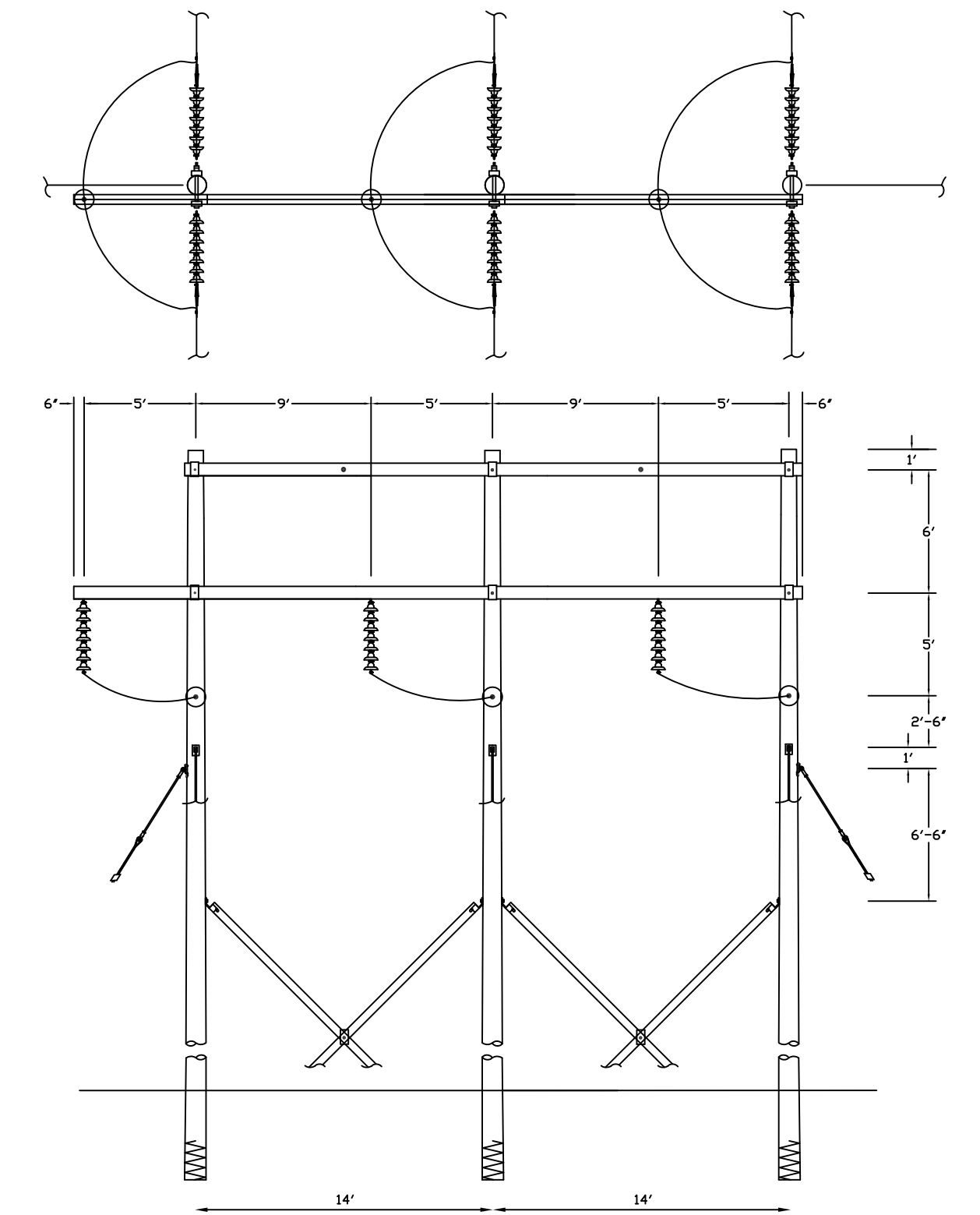
DR



CR
(10-30°)



DAR
(45-90°)



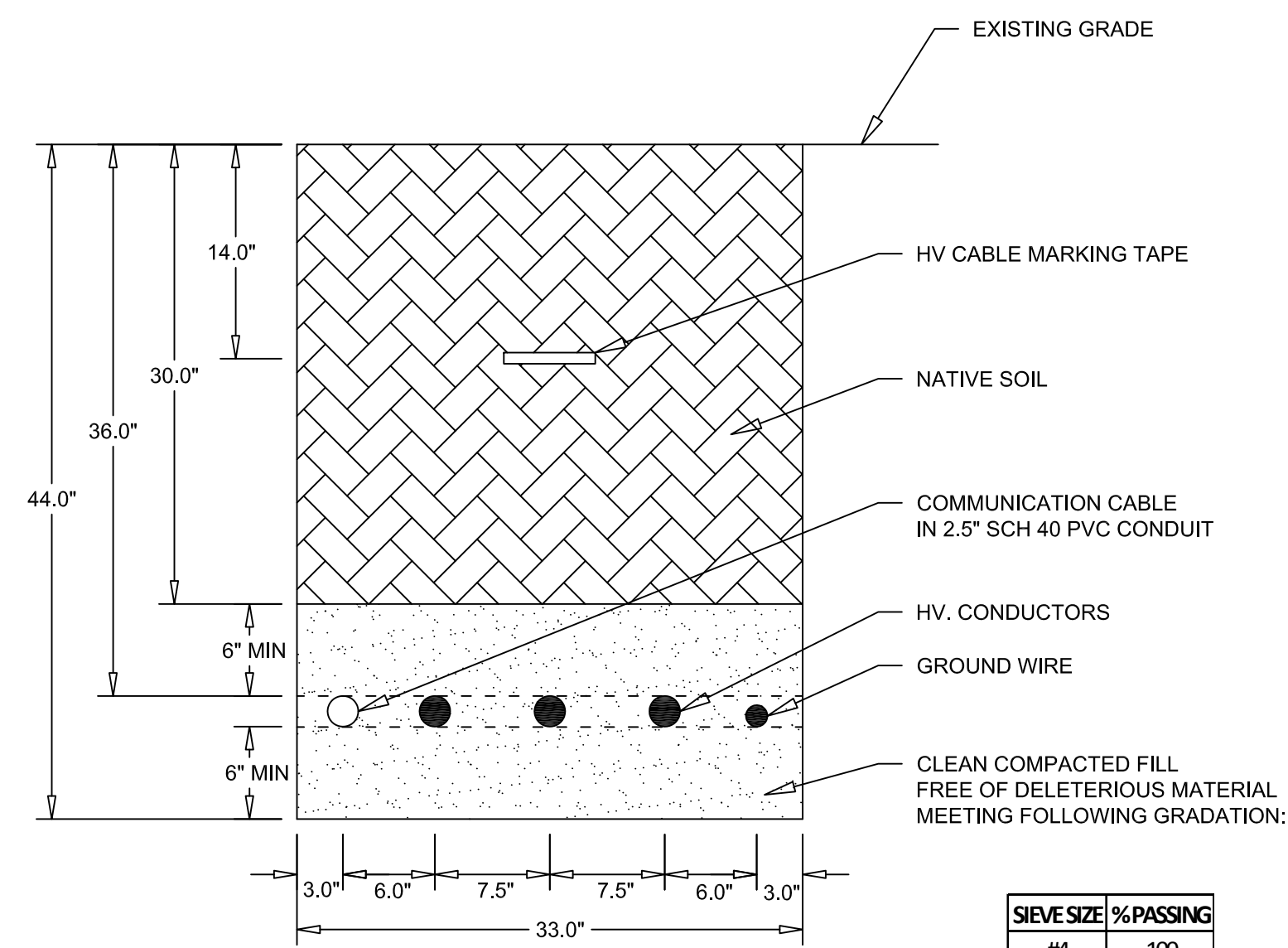
LDR

A	FOR PERMIT APPLICATION ONLY - NOT FOR CONSTRUCTION	11/22/10
REV.	REVISION/ISSUE	DATE

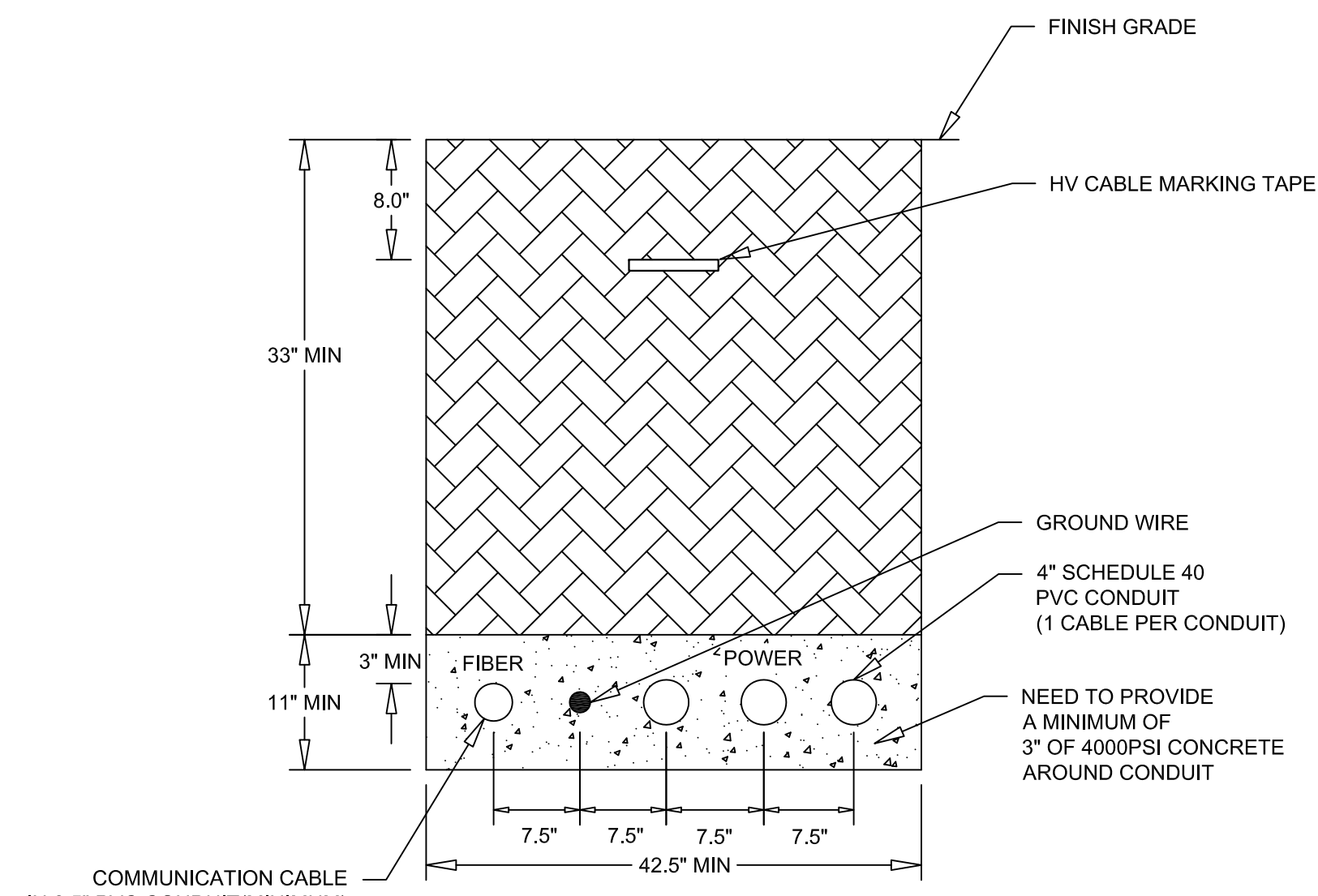
RLC
ENGINEERING
18 Meadow Road
P.O. Box 722
Augusta, ME 04332
Phone 207-621-1077

HIGHLAND WIND PROJECT
HIGHLAND PLANTATION, MAINE
STRUCTURE DETAILS - 115KV

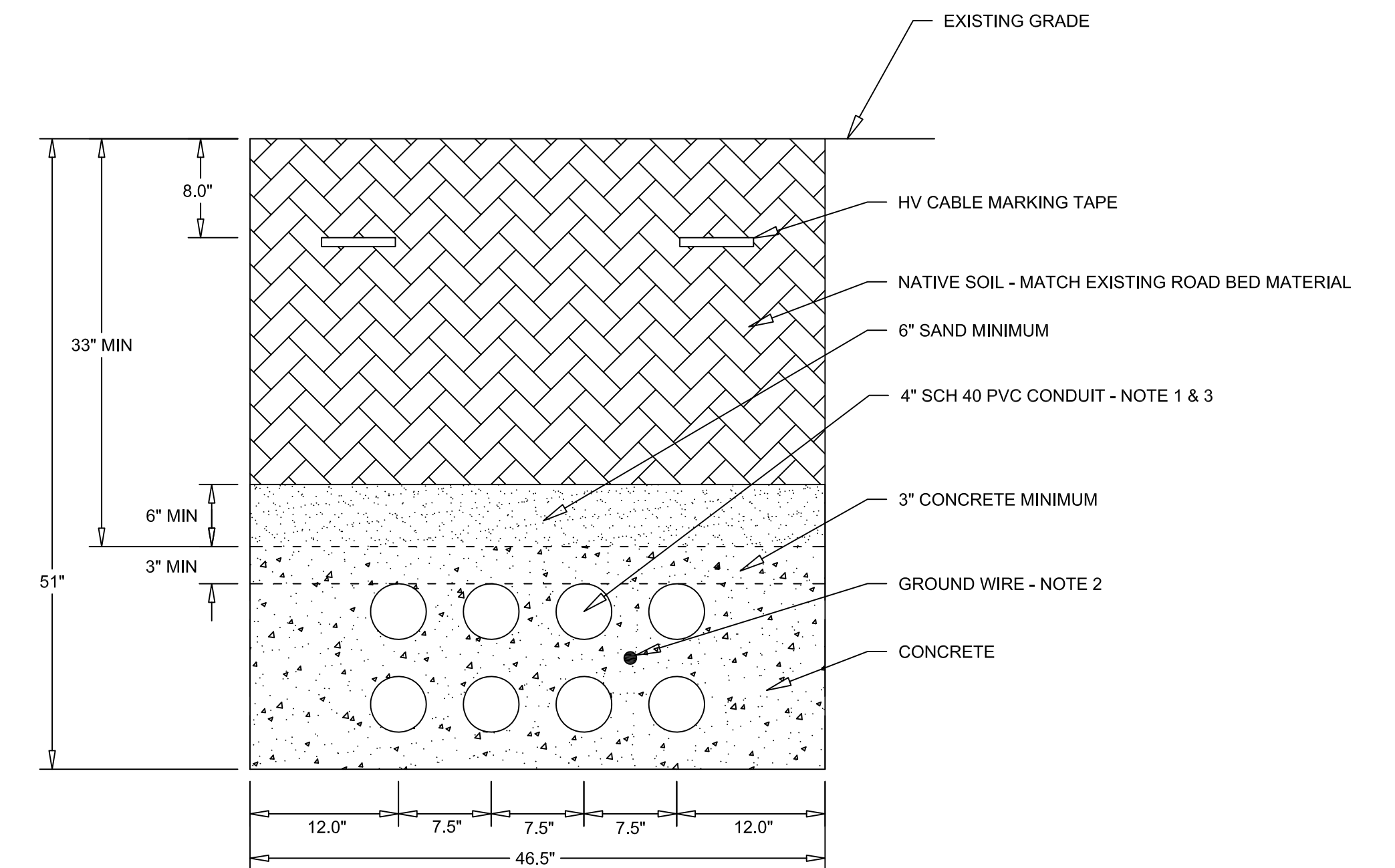
DRAWING #:
SD-203
ENGIN'D BY:
CJL
DATE:
11-22-10



**DIRECT BURIAL
TRENCH DETAIL
SINGLE CIRCUIT**

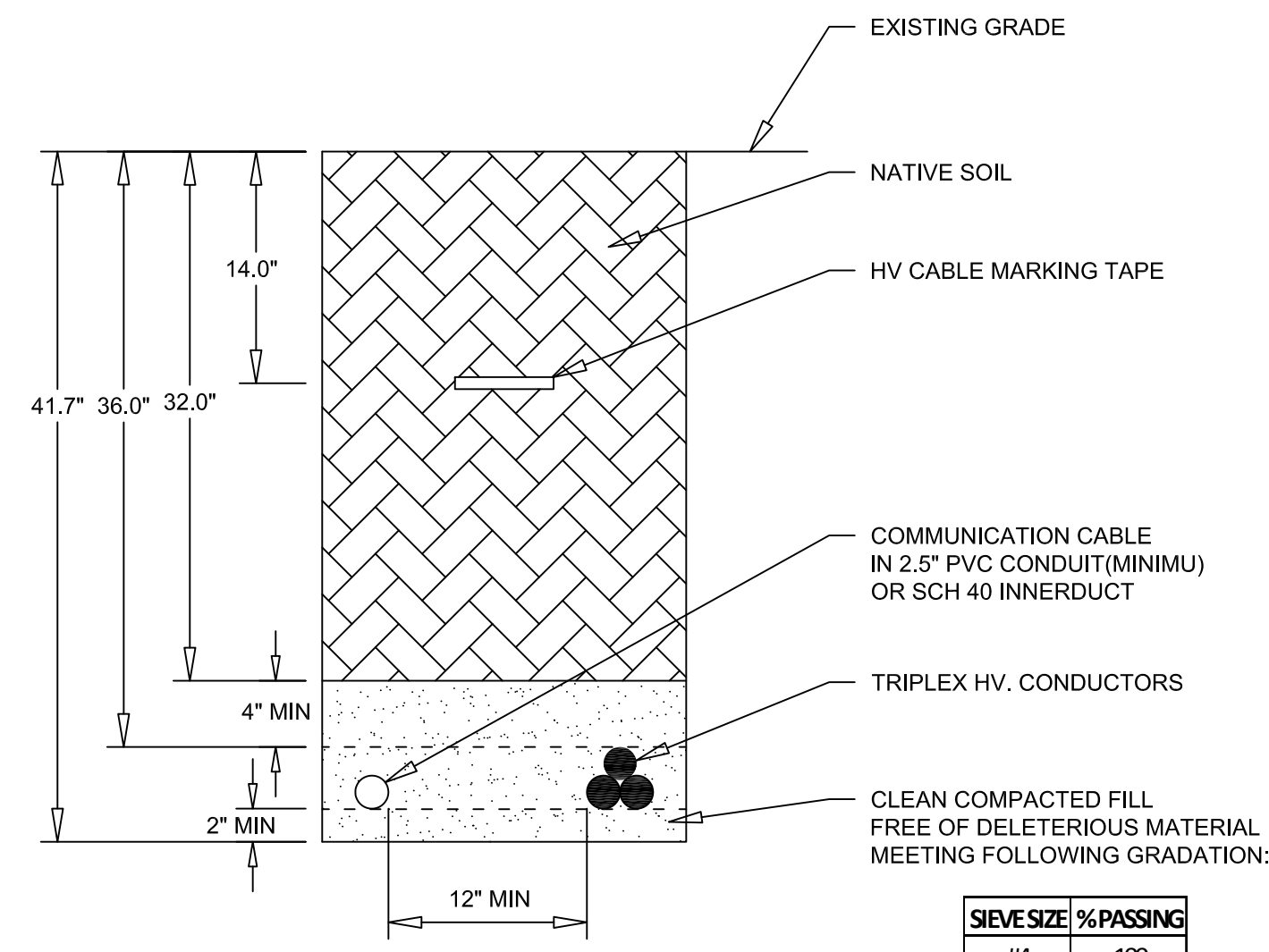


**CONCRETE REINFORCED
TRENCH DETAIL
SINGLE CIRCUIT
ROAD CROSSING**

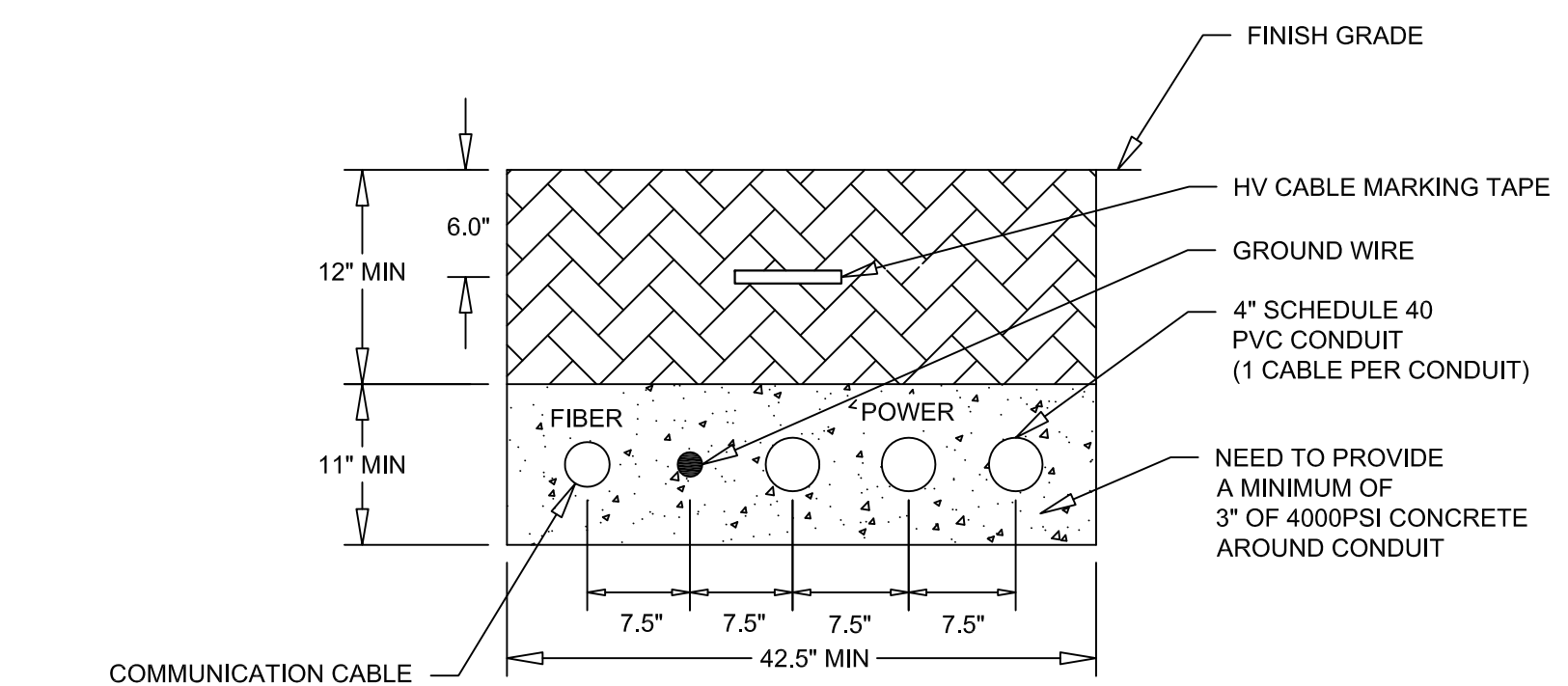


**CONCRETE REINFORCED
TRENCH DETAIL
DOUBLE CIRCUIT
ROAD CROSSING**

- NOTES:
- 8 - 4" SCHEDULE 40 PVC CONDUITS
 - 1 - 4/0 GROUND WIRE
 - FOR CONDUIT SUPPORT USE CARLON "SNAP-N-STAC" SPACERS OR APPROVED EQUAL



**DIRECT BURIAL
TRENCH DETAIL
SINGLE CIRCUIT
W/ TRIPLEX CONDUCTOR
ALTERNATIVE TREFOIL OPTION**



**CONCRETE REINFORCED
TRENCH DETAIL
SINGLE CIRCUIT
REDUCED COVER OPTION**

REV.	REVISION/ISSUE	DATE
A	PERMIT APPLICATION ONLY - NOT FOR CONSTRUCTION	11/22/10



HIGHLAND WIND PROJECT
HIGHLAND PLANTATION, MAINE
UNDERGROUND CROSS SECTION DETAILS

DRAWING #:	SD-301
ENGIN'D BY:	CJL
DRAWN BY:	CJL
DATE:	11-22-10